

# DENON

## DIRECT DRIVE MANUAL TURNTABLE SYSTEM

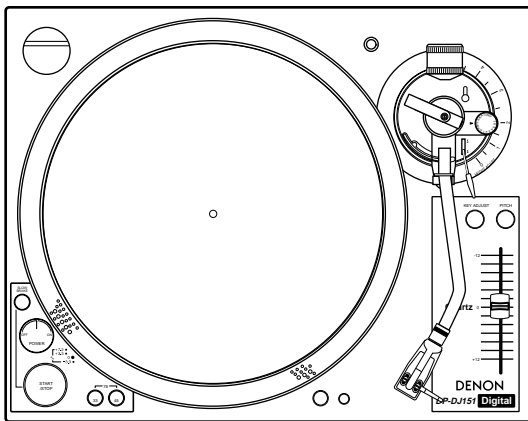
# DP-DJ151

## OPERATING INSTRUCTIONS

## BEDIENUNGSANLEITUNG

## MODE D'EMPLOI

## INSTRUCCIONES DE OPERACION



### FOR EUROPEAN MODELS ONLY

#### • DECLARATION OF CONFORMITY

We declare under our sole responsibility that this product, to which this declaration relates, is in conformity with the following standards: EN60065, EN55013, EN55020, EN61000-3-2 and EN61000-3-3. Following the provisions of 73/23/EEC, 89/336/EEC and 93/68/EEC Directive.

#### • ÜBEREINSTIMMUNGSERKLÄRUNG

Wir erklären unter unserer Verantwortung, daß dieses Produkt, auf das sich diese Erklärung bezieht, den folgenden Standards entspricht: EN60065, EN55013, EN55020, EN61000-3-2 und EN61000-3-3. Entspricht den Verordnungen der Direktive 73/23/EEC, 89/336/EEC und 93/68/EEC.

#### • DECLARATION DE CONFORMITE

Nous déclarons sous notre seule responsabilité que l'appareil, auquel se réfère cette déclaration, est conforme aux standards suivants: EN60065, EN55013, EN55020, EN61000-3-2 et EN61000-3-3. D'après les dispositions de la Directive 73/23/EEC, 89/336/EEC et 93/68/EEC.

#### • DECLARACIÓN DE CONFORMIDAD

Declaramos bajo nuestra exclusiva responsabilidad que este producto al que hace referencia esta declaración, está conforme con los siguientes estándares: EN60065, EN55013, EN55020, EN61000-3-2 y EN61000-3-3. Siguiendo las provisiones de las Directivas 73/23/EEC, 89/336/EEC y 93/68/EEC.

FOR ENGLISH READERS  
FÜR DEUTSCHE LESER  
POUR LES LECTEURS FRANCAIS  
PARA LECTORES DE ESPAÑOL

PAGE 5 ~ PAGE 9  
SEITE 10 ~ SEITE 14  
PAGE 15 ~ PAGE 19  
PAGINA 20 ~ PAGINA 24

"SERIAL NO. \_\_\_\_\_"

PLEASE RECORD UNIT SERIAL NUMBER ATTACHED TO THE REAR OF THE CABINET FOR FUTURE REFERENCE"

## IMPORTANT TO SAFETY

### WARNING:

**TO PREVENT FIRE OR SHOCK HAZARD, DO NOT EXPOSE THIS APPLIANCE TO RAIN OR MOISTURE.**

### CAUTION:

#### 1. Handle the power supply cord carefully

Do not damage or deform the power supply cord. If it is damaged or deformed, it may cause electric shock or malfunction when used. When removing from wall outlet, be sure to remove by holding the plug attachment and not by pulling the cord.

#### 2. Do not open the bottom cover

In order to prevent electric shock, do not open the bottom cover. If problems occur, contact your DENON dealer.

#### 3. Do not place anything inside

Do not place metal objects or spill liquid inside the turntable system. Electric shock or malfunction may result.

Please, record and retain the Model name and serial number of your set shown on the rating label.

Model No. DP-DJ151      Serial No. \_\_\_\_\_

### NOTE:

This unit may cause interference to radio and television reception if you do not operate it in strict accordance with this OPERATING INSTRUCTIONS.

This unit complies with Class B computing device rules in accordance with the specifications in Sub-part J or Part 15 of the FCC Rules, which are designed to provide reasonable protection against such interference in a residential installation. If the unit does cause interference to any radio or television reception, try to reduce it by one or more of the following means:

- Turn the other unit to improve reception
- Move this unit
- Move this unit away from others
- Plug this unit respectively into a different AC outlet

\* This is note in accordance with Section 15.838 of the FCC Rules.

#### • FOR U.S.A. & CANADA MODEL ONLY

### CAUTION

TO PREVENT ELECTRIC SHOCK, MATCH WIDE BLADE OF PLUG TO WIDE SLOT, FULLY INSERT.

#### • POUR LES MODELES AMERICAINS ET CANADIENS UNIQUEMENT

### ATTENTION

POUR ÉVITER LES CHOCS ÉLECTRIQUES, INTERODUIRE LA LAME LA PLUS LARGE DE LA FICHE DANS LA BORNE CORRESPONDANTE DE LA PRISE ET POUSSER JUSQU' AU FOND.



**CAUTION**  
**RISK OF ELECTRIC SHOCK**  
**DO NOT OPEN**



**CAUTION: TO REDUCE THE RISK OF ELECTRIC SHOCK, DO NOT REMOVE COVER (OR BACK). NO USER-SERVICEABLE PARTS INSIDE. REFER SERVICING TO QUALIFIED SERVICE PERSONNEL.**



The lightning flash with arrowhead symbol, within an equilateral triangle, is intended to alert the user to the presence of uninsulated "dangerous voltage" within the product's enclosure that may be of sufficient magnitude to constitute a risk of electric shock to persons.

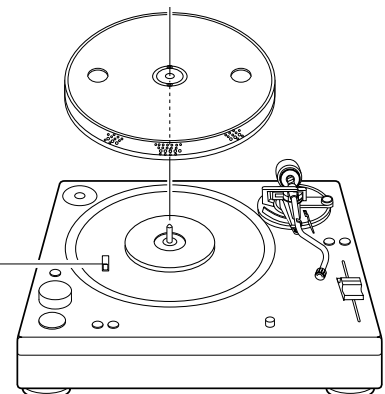


The exclamation point within an equilateral triangle is intended to alert the user to the presence of important operating and maintenance (servicing) instructions in the literature accompanying the appliance.

### CAUTION

This equipment has a voltage selector switch. Check the voltage selector switch is set to an appropriate voltage in your area before use.

ex. **U.S.A. & CANADA : 115 V**  
**EUROPE : 230 V**

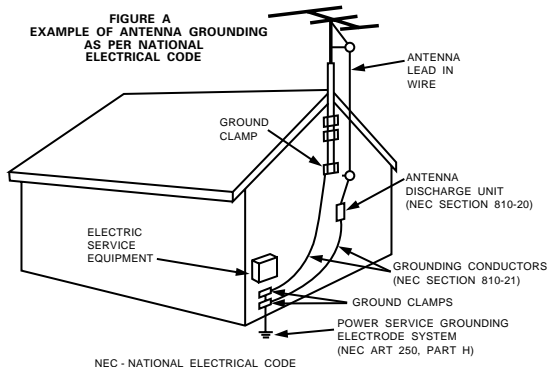


# SAFETY INSTRUCTIONS

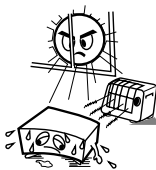
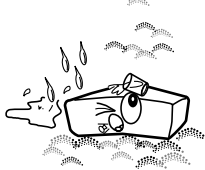
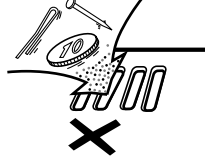
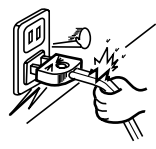

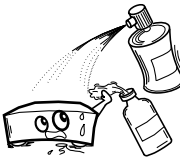


1. Read Instructions – All the safety and operating instructions should be read before the appliance is operated.
2. Retain Instructions – The safety and operating instructions should be retained for future reference.
3. Heed Warnings – All warnings on the appliance and in the operating instructions should be adhered to.
4. Follow Instructions – All operating and use instructions should be followed.
5. Water and Moisture – The appliance should not be used near water – for example, near a bathtub, washbowl, kitchen sink, laundry tub, in a wet basement, or near a swimming pool, and the like.
6. Carts and Stands – The appliance should be used only with a cart or stand that is recommended by the manufacturer.
- 6A. An appliance and cart combination should be moved with care. Quick stops, excessive force, and uneven surfaces may cause the appliance and cart combination to overturn.
7. Wall or Ceiling Mounting – The appliance should be mounted to a wall or ceiling only as recommended by the manufacturer.
8. Ventilation – The appliance should be situated so that its location or position does not interfere with its proper ventilation. For example, the appliance should not be situated on a bed, sofa, rug, or similar surface that may block the ventilation openings; or, placed in a built-in installation, such as a bookcase or cabinet that may impede the flow of air through the ventilation openings.
9. Heat – The appliance should be situated away from heat sources such as radiators, heat registers, stoves, or other appliances (including amplifiers) that produce heat.
10. Power Sources – The appliance should be connected to a power supply only of the type described in the operating instructions or as marked on the appliance.
11. Grounding or Polarization – Precautions should be taken so that the grounding or polarization means of an appliance is not defeated.



12. Power-Cord Protection – Power-supply cords should be routed so that they are not likely to be walked on or pinched by items placed upon or against them, paying particular attention to cords at plugs, convenience receptacles, and the point where they exit from the appliance.
14. Cleaning – The appliance should be cleaned only as recommended by the manufacturer.
15. Power Lines – An outdoor antenna should be located away from power lines.
16. Outdoor Antenna Grounding – If an outside antenna is connected to the receiver, be sure the antenna system is grounded so as to provide some protection against voltage surges and built-up static charges. Article 810 of the National Electrical Code, ANSI/NFPA 70, provides information with regard to proper grounding of the mast and supporting structure, grounding of the lead-in wire to an antenna-discharge unit, size of grounding conductors, location of antenna-discharge unit, connection to grounding electrodes, and requirements for the grounding electrode. See Figure A.
17. Nonuse Periods – The power cord of the appliance should be unplugged from the outlet when left unused for a long period of time.
18. Object and Liquid Entry – Care should be taken so that objects do not fall and liquids are not spilled into the enclosure through openings.
19. Damage Requiring Service – The appliance should be serviced by qualified service personnel when:
  - A. The power-supply cord or the plug has been damaged; or
  - B. Objects have fallen, or liquid has been spilled into the appliance; or
  - C. The appliance has been exposed to rain; or
  - D. The appliance does not appear to operate normally or exhibits a marked change in performance; or
  - E. The appliance has been dropped, or the enclosure damaged.
20. Servicing – The user should not attempt to service the appliance beyond that described in the operating instructions. All other servicing should be referred to qualified service personnel.
21. Internal/External Voltage Selectors – Internal or external voltage selector switches, if any, should only be reset and re-equipped with a proper plug for alternative voltage by a qualified service technician. Do not attempt to alter this yourself.



NOTE ON USE / HINWEISE ZUM GEBRAUCH / OBSERVATIONS RELATIVES A L'UTILISATION / NOTAS SOBRE EL USO

 <ul style="list-style-type: none"> <li>• Avoid high temperatures. Allow for sufficient heat dispersion when installed on a rack.</li> <li>• Vermeiden Sie hohe Temperaturen. Beachten Sie, daß eine ausreichend Luftzirkulation gewährleistet wird, wenn das Gerät auf ein Regal gestellt wird.</li> <li>• Eviter des températures élevées. Tenir compte d'une dispersion de chaleur suffisante lors de l'installation sur une étagère.</li> <li>• Evite altas temperaturas. Permite la suficiente dispersión del calor cuando está instalado en la consola.</li> </ul>	 <ul style="list-style-type: none"> <li>• Keep the set free from moisture, water, and dust.</li> <li>• Halten Sie das Gerät von Feuchtigkeit, Wasser und Staub fern.</li> <li>• Protéger l'appareil contre l'humidité, l'eau et la poussière.</li> <li>• Mantenga el equipo libre de humedad, agua y polvo.</li> </ul>	 <ul style="list-style-type: none"> <li>• Do not let foreign objects in the set.</li> <li>• Keine fremden Gegenstände in das Gerät kommen lassen.</li> <li>• Ne pas laisser des objets étrangers dans l'appareil.</li> <li>• No deje objetos extraños dentro del equipo.</li> </ul>
 <ul style="list-style-type: none"> <li>• Handle the power cord carefully. Hold the plug when unplugging the cord.</li> <li>• Gehen Sie vorsichtig mit dem Netzkabel um. Halten Sie das Kabel am Stecker, wenn Sie den Stecker herausziehen.</li> <li>• Manipuler le cordon d'alimentation avec précaution. Tenir la prise lors du débranchement du cordon.</li> <li>• Maneje el cordón de energía con cuidado. Sostenga el enchufe cuando desconecte el cordón de energía.</li> </ul>	 <ul style="list-style-type: none"> <li>• Unplug the power cord when not using the set for long periods of time.</li> <li>• Wenn das Gerät eine längere Zeit nicht verwendet werden soll, trennen Sie das Netzkabel vom Netzstecker.</li> <li>• Débrancher le cordon d'alimentation lorsque l'appareil n'est pas utilisé pendant de longues périodes.</li> <li>• Desconecte el cordón de energía cuando no utilice el equipo por mucho tiempo.</li> </ul>	 <ul style="list-style-type: none"> <li>• Do not let insecticides, benzene, and thinner come in contact with the set.</li> <li>• Lassen Sie das Gerät nicht mit Insektiziden, Benzin oder Verdünnungsmitteln in Berührung kommen.</li> <li>• Ne pas mettre en contact des insecticides, du benzène et un diluant avec l'appareil.</li> <li>• No permita el contacto de insecticidas, gasolina y diluyentes con el equipo.</li> </ul>
	 <p>* (For sets with ventilation holes)</p> <ul style="list-style-type: none"> <li>• Do not obstruct the ventilation holes.</li> <li>• Die Belüftungsöffnungen dürfen nicht verdeckt werden.</li> <li>• Ne pas obstruer les trous d'aération.</li> <li>• No obstruya los orificios de ventilación.</li> </ul>	 <ul style="list-style-type: none"> <li>• Never disassemble or modify the set in any way.</li> <li>• Versuchen Sie niemals das Gerät auseinander zu nehmen oder auf jegliche Art zu verändern.</li> <li>• Ne jamais démonter ou modifier l'appareil d'une manière ou d'une autre.</li> <li>• Nunca desarme o modifique el equipo de ninguna manera.</li> </ul>

Thank you very much for purchasing the DENON direct drive manual turntable system.

Please read the operating instructions thoroughly in order to acquaint yourself with the turntable system and achieve maximum satisfaction from it.

**- TABLE OF CONTENTS -**

FEATURES .....5

**1** ASSEMBLY .....5, 6

**2** PART NAMES AND FUNCTIONS .....6, 7

**3** ADJUSTMENTS .....7

**4** CONNECTIONS .....8

**5** OPERATION .....8, 9

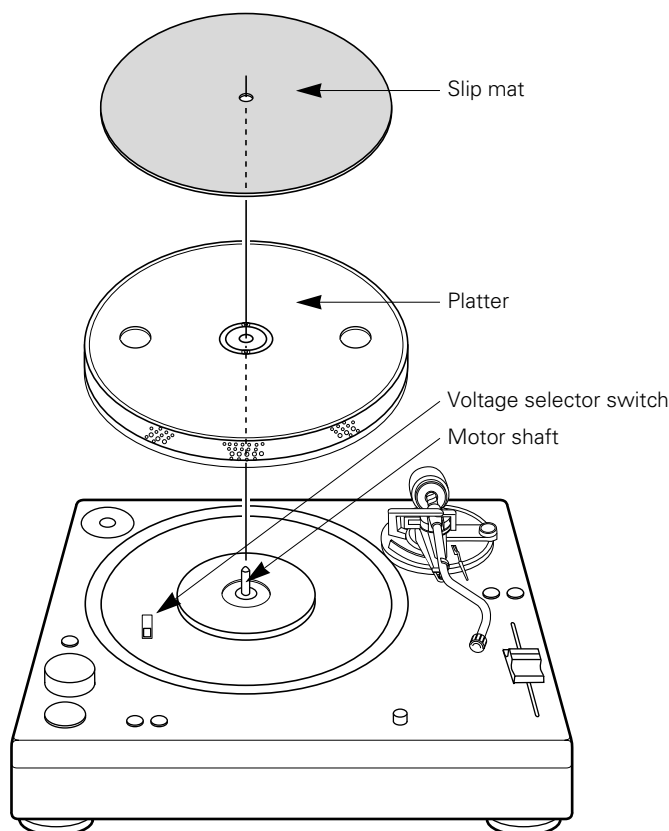
**6** TROUBLESHOOTING .....9

**7** MAIN SPECIFICATIONS .....9

**1 ASSEMBLY**

- Do not plug in the power cord until assembly is completed.

**(1) Mounting the platter**



**Please check to make sure the following items are included with the main unit in the carton:**

- (1) Operating instructions (these instructions) .....1
- (2) Platter .....1
- (3) Slip mat .....1
- (4) Counterweight .....1
- (5) 45 rpm adaptor .....1
- (6) Headshell .....1
- (7) Dust cover .....1
- (8) AC cord .....1
- (9) Connecting cord .....1

**FEATURES**

**1. High torque brush less DC motor**

This set uses a high torque brushless DC motor to reach the normal speed of rotation rapidly and reduce braking time.

**2. ±12 % pitch control**

The pitch can be changed in a range of ±12 % using a pitch slider. A pitch on/off button lets you return to the normal speed of rotation at the touch of a button.

**3. Key adjust**

When "Key Adjust" is on, musical key tone can be kept constant even the platter speed is changed with the slider.

**4. 3-stage braking speed**

You can select one of 3 record stop times.

**5. 78 rpm compatible**

This set can play 33, 45 and 78 rpm records.

**6. Digital out**

The music is output in the digital format and reproduced on an external digital processor or an MD recorder.

**7. Builtin equalizing amplifier for MM type cartridge.**

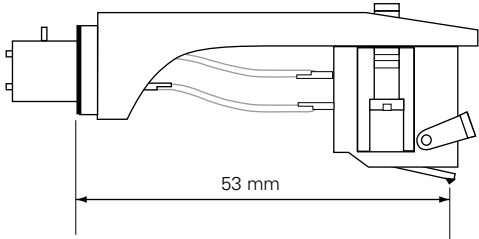
<b>1</b>	<b>Remove all the parts in the box.</b>
<b>2</b>	<b>Remove the packaging materials from the main unit and all the parts.</b> <ul style="list-style-type: none"> <li>• Set the parts on the floor, a table or another stable surface when removing the packaging materials. Handling the parts roughly could result in scratches or deformation.</li> </ul>
<b>3</b>	<b>Check the voltage selector switch is set to an appropriate position.</b> ex. U.S.A. & CANADA : 115 V EUROPE : 230 V
<b>4</b>	<b>Insert the platter onto the motor shaft.</b>
<b>5</b>	<b>Set the slip mat on the platter, lining it up with the motor shaft.</b>

**(2) Mounting the counterweight**

<b>1</b>	<b>Mount the counterweight on the shaft at the back of the tone arm.</b>
----------	--

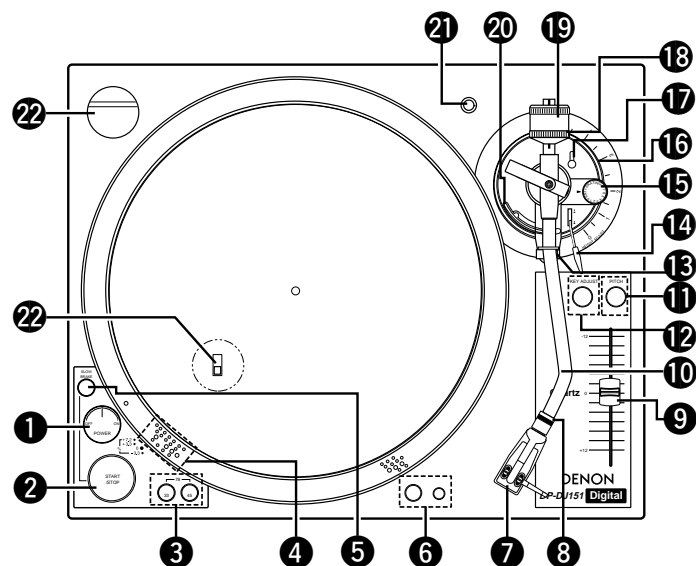
**(3) Mounting the cartridge**

- The cartridge is not included.

<b>1</b>	<p><b>Mount your cartridge on the head shell.</b></p> <ul style="list-style-type: none"> <li>• The head shell's lead wires are color-coded. Use tweezers or the like to securely connect the lead wires to the corresponding terminals on the cartridge, referring to the indications on the cartridge or the cartridge's instructions.</li> </ul> <p>Attach wires as follows:</p> <ul style="list-style-type: none"> <li>White (L +) Left channel +</li> <li>Blue (L -) Left channel -</li> <li>Red (R +) Right channel +</li> <li>Green (R -) Right channel -</li> </ul> <ul style="list-style-type: none"> <li>• The proper overhang is achieved by mounting the cartridge so that the stylus is positioned 53 mm from the head shell mount edge (rubber washer), as shown on the diagram below.</li> </ul> 
<b>2</b>	<p><b>Insert the head shell on which the cartridge has been mounted into the tone arm and fasten it in place using the lock nut.</b></p>

**2 PART NAMES AND FUNCTIONS**

**Top panel**

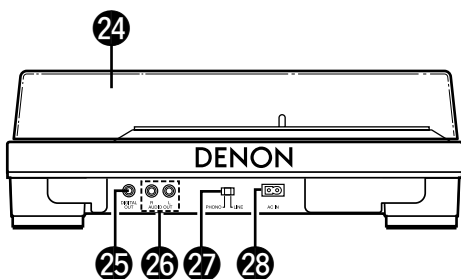


- 1 Power dial (POWER)**
  - ON – Rotate right
  - OFF – Rotate left
- 2 Start/Stop button (START/STOP)**
  - Press this button to start and stop the platter rotation.
- 3 Platter revolution speed buttons**
  - 33 rpm – Press 33
  - 45 rpm – Press 45
  - 78 rpm – Press 33 and 45
- 4 Strobe dots**
  - Four rows of dots that indicate various stages in pitch adjust.
    - 3.3 % – outer row
    - 0 % – large dots
    - + 3.3 % – next row
    - + 7.2 % – inner row
- 5 Brake switching button (BRAKE)**
  - The platter stops turning.
  - When the BRAKE button's LED is lit, rotation stops slowly (in about 2 seconds).
  - When the BRAKE button is flashing, internal electronic brake is set free.
- 6 Target light**
  - Press the button to the right and a light will pop up directed at the stylus position.
- 7 Headshell**
  - Attach the cartridge here.
  - When installing a cartridge, refer to the installation instructions supplied by the manufacturer of that cartridge.
  - During installation, attach the stylus protector to guard the stylus tip from damage.
- 8 Headshell locking nut**
  - Attach headshell by inserting into the front end of the tone arm, then turn the locking nut clockwise with the head shell firmly held horizontally.
- 9 Pitch slider**
  - Use this to change the speed of the platter when the PITCH button is lit. You can adjust the speed in a range of  $\pm 12\%$ .
- 10 S-shaped tone arm**
- 11 Pitch button (PITCH)**
  - ON – Will allow use of the pitch adjust.
  - OFF – Will hold the revolution speed at exactly the specified speed.
- 12 Key adjust button (KEY-ADJUST)**
  - NOTE:** The "KEY ADJUST" function effective only operate while the "PITCH" button is lit on.
- 13 Tone arm clamp and rest**
  - Use this rest the tone arm and clamp it in position during transportation.
- 14 Lifter lever**
  - Use this to lift and lower the tone arm.
- 15 Anti-skating knob (ANTI-SKATING)**
  - When a record is playing, a force is generated drawing the stylus towards the center of the record. Set this knob to the same value as the stylus pressure to offset this force.
- 16 Tone arm height adjust (HEIGHT ADJUST)**
  - This allows the tone arm to be properly align with the platter surface.
- 17 Height lock lever (LOCK)**
  - Prevents accidental adjustment of the height.

- 18 Stylus pressure adjustment dial**
  - Use this to adjust the stylus pressure.
- 19 Counterweight**
  - Use this to balance the tone arm and to adjust the stylus pressure.
- 20 Tone arm lift**
  - This elevates the tone arm above the record surface.
- 21 Extra stylus holder**
  - Place extra headshells here.
- 22 45 rpm adaptor holder**
  - Place on the attached 45 rpm adaptor here.
  - Push down the rear side of 45 rpm adaptor to take it.
- 23 Voltage selector**
  - Check the voltage selector switch is set to an appropriate voltage in your area before use.



**Rear panel**



- 24 Dust cover**
  - Set the dust cover in place when not using the set to protect the turntable from dust and dirt.
  - The dust cover is not locked on the set. Handle it with care.
- 25 Output terminal (DIGITAL OUT)**
- 26 Output terminal (AUDIO OUT)**
  - Connect the included connecting cord here. (See page 8.)
- 27 Phono/Line selector (PHONO/LINE)**
- 28 Power terminal (AC IN)**
  - Connect the connector side of the included AC cord here. (See page 8.)

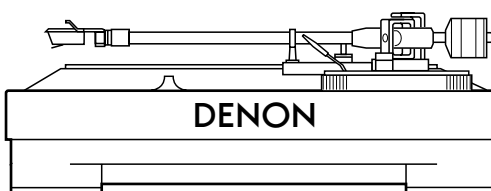
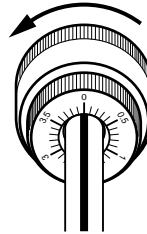

**3 ADJUSTMENTS**

- Turn the power off when performing adjustments.

**(1) Adjusting the tone arm height**

<b>1</b>	<ul style="list-style-type: none"> <li>① Lower the lifter lever.</li> <li>② Set the stylus on the record and check that the tone arm is virtually parallel to the record's surface.</li> </ul>
<b>2</b>	<p><b>If not:</b></p> <ul style="list-style-type: none"> <li>① Set the tone arm back on the arm rest.</li> <li>② Move the lock lever in the opposite direction of the arrow to unlock.</li> <li>③ Move the height adjustment dial and adjust the height so that the arm is virtually parallel to the record's surface.</li> <li>④ Move the lock lever in the direction of the arrow to lock the height.</li> </ul>

**(2) Stylus pressure and anti-skating adjustment**

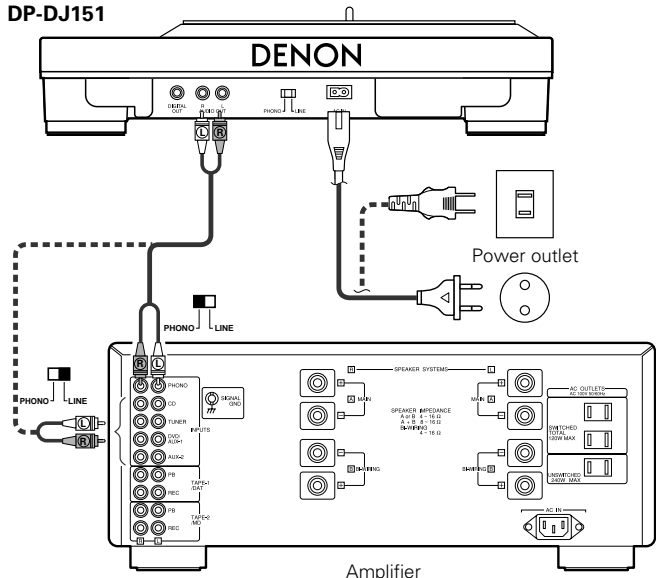
<b>1</b>	<p><b>Set both the anti-skating knob to "0".</b></p>
<b>2</b>	<p><b>Move the tone arm.</b></p> <ul style="list-style-type: none"> <li>• Lift the tone arm from the arm rest and move it over the platter.</li> <li>* When moving the tone arm, be careful that the stylus does not directly touch the platter or other parts.</li> <li>* For cartridges with detachable stylus covers, adjust with the stylus cover removed.</li> </ul>
<b>3</b>	<p><b>Adjust the horizontal balance.</b></p>  <ul style="list-style-type: none"> <li>• Move the counterweight forward or backward so that the tone arm is parallel to the platter's surface when the tone arm is released.</li> <li>* When adjusting the horizontal balance, be careful that the stylus does not touch the slip mat or the main unit.</li> </ul>
<b>4</b>	<p><b>Set the tone arm back on the arm rest.</b></p> <ul style="list-style-type: none"> <li>• Set the tone arm back on the arm rest.</li> </ul>
<b>5</b>	<p><b>Hold the counterweight with a finger so that it does not move, then turn the stylus pressure adjustment ring so that the center line on the back of the tone arm is at "0".</b></p> 
<b>6</b>	<p><b>Turn the counterweight in the direction of the arrow and set it for the proper stylus pressure for the cartridge you are using.</b></p> <ul style="list-style-type: none"> <li>* When the counterweight is turned, the stylus pressure adjustment ring also turns. Read the value on the adjustment ring to set the proper stylus pressure.</li> </ul>
<b>7</b>	<p><b>Turn the anti-skating knob and set it so that the value of the cartridge's stylus pressure is lined up with the reference line.</b></p>  <ul style="list-style-type: none"> <li>• This provides the proper anti-skating force.</li> </ul>

## 4 CONNECTIONS

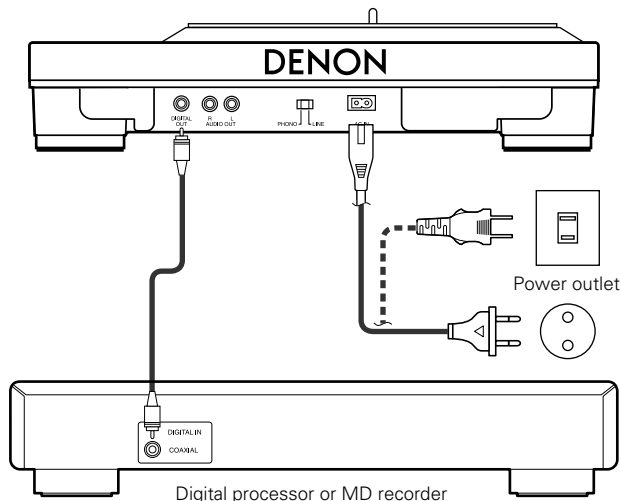
- Be sure to turn off the amplifier's (or mixer's) power when making connections.

### 1. Connecting the analog output jacks. (ANALOG CONNECTIONS)

DP-DJ151



### 2. Connecting the digital output jack. (DIGITAL CONNECTIONS)



#### (1) Analog connections

<b>1</b>	<b>Connect the left (white) and right (red) plugs of the pin-plug cord to the set's left and right outputs (AUDIO OUT). Then, select the PHONO/LINE selector.</b>
<b>2</b>	<b>Connect the left (White) and right (red) plugs of the pin-plug cord to the amplifier's (or mixer's) left and right "PHONO" (PHONO selected) or "CD", "TUNER" etc. (LINE SELECTED).</b>
<b>3</b>	<b>Connect the connector side of the power cord to the set's power connector terminal (AC IN).</b>
<b>4</b>	<b>Plug the power cord into an appropriate power outlet.</b> <ul style="list-style-type: none"> <li>• Check that the power outlet's capacity is sufficient.</li> </ul>

#### (2) Digital connections

<b>1</b>	<b>Use separately sold "75 Ω/ohms" pin-plug cords to connect the "COAXIAL" digital output jack.</b>
<b>2</b>	<b>Connect the digital cord of step 1 into the COAXIAL digital input jacks of "Digital processor" or "MD recorder".</b>
<b>3</b>	<b>Connect the connector side of the power cord to the set's power connector terminal (AC IN).</b>
<b>4</b>	<b>Plug the power cord into an appropriate power outlet.</b> <ul style="list-style-type: none"> <li>• Check that the power outlet's capacity is sufficient.</li> </ul>

## 5 OPERATION

#### (1) Starting playback

<b>1</b>	<b>Turn the power dial to turn on.</b> <ul style="list-style-type: none"> <li>• The speed button, the PITCH button and the strobe-illuminator light up.</li> </ul>
<b>2</b>	<b>Turn on the amplifier's (or mixer's) power. Then, select the function switch.</b>
<b>3</b>	<b>Set a record on the platter.</b> <ul style="list-style-type: none"> <li>* To play 45 rpm records, use the included adaptor.</li> </ul>
<b>4</b>	<b>Set the speed button's according to the record's playing speed.</b>
<b>5</b>	<b>Press the START/STOP button.</b>
<b>6</b>	<b>Lift the lifter lever, hold the head shell's finger support, and move the tone arm to the desired position over the record.</b>
<b>7</b>	<b>Lower the lifter lever.</b> <ul style="list-style-type: none"> <li>• The tone arm lowers gently until the stylus is on the record and playback begins.</li> </ul>
<b>8</b>	<b>Adjust the speed of rotation.</b> <ul style="list-style-type: none"> <li>• When the PITCH button is lit, the speed of the platter can be adjusted in a range of ±12 % by the pitch slider.</li> <li>• The speed is lower than the displayed speed when the strobe is flowing to the right, higher than the displayed speed when the strobe is flowing to the left. When the strobe is stopped, the platter is turning at the displayed speed.</li> <li>• When the key adjust button is pressed during the pitch control mode, the button lights on, and musical key tone can be kept constant even the platter speed is changed with the slider. Note that the key adjust function operates only when switch is set to "LINE".</li> </ul>

**NOTE:**

The "KEY ADJUST" function effective only operate while the "PITCH" button is lit on.



**(2) Stopping or interrupting playback**

<b>1</b>	<p><b>Gently lift the lifter lever.</b></p> <ul style="list-style-type: none"> <li>The tone arm rises and the stylus lifts off the record.</li> </ul>
<b>2</b>	<p><b>Hold the head shell's finger support and move the tone arm back onto the arm rest.</b></p>
<b>3</b>	<p><b>Secure the tone arm on the arm rest.</b></p>
<b>4</b>	<p><b>Press the START/STOP button.</b></p> <ul style="list-style-type: none"> <li>The platter stops turning.</li> <li>When the BRAKE button's LED is lit, rotation stops slowly (in about 2 seconds).</li> <li>When the BRAKE button is flashing, internal electronic brake is set free.</li> </ul>

**NOTES:**

- Do not subject the turntable to vibrations or shocks while a record is playing.
- Wait until the platter stops turning before replacing records.
- Do not force the platter to stop moving while the motor is engaged. Quality slip mats should be used to hold records in position. Forcing the motor to stop can damage the motor assembly.

**6 TROUBLESHOOTING**

**Make sure of the followings before you consider as any malfunctions:**

- Are all the connections correct ?
- Is the set being operated correctly in accordance with the operating instructions?
- Are the speakers and amplifiers functioning correctly ?

If the turntable system still does not function properly, check it again, using the check list below. If the symptom does not correspond to the check list, please contact your DENON dealer.

Symptoms	Check	See page
Stylus does not lower onto record.	<ul style="list-style-type: none"> <li>Is the stylus pressure properly adjusted ?</li> <li>Is the arm's horizontal balance properly adjusted ?</li> </ul>	7, 8 7, 8
No sound is produced.	<ul style="list-style-type: none"> <li>Are the cartridge and head shell properly connected ?</li> <li>Are the output cords properly connected to the amplifier ?</li> <li>Are the amplifier's adjustments and settings correct ?</li> </ul>	6 8 -
Booming sound is heard.	<ul style="list-style-type: none"> <li>Is the ground wire on the output cord connected ?</li> <li>Are the output cord's plugs securely connected ?</li> <li>Is the head shell's lock nut securely tightened ?</li> </ul>	8 - 6
Stylus skips.	<ul style="list-style-type: none"> <li>Is the stylus pressure properly adjusted ?</li> <li>Is the record warped or scratched ?</li> <li>Is there dust on the stylus ?</li> </ul>	7, 8 - -
Arm stops halfway across the record.	<ul style="list-style-type: none"> <li>Is the record scratched ?</li> <li>Is the arm hitting some object ?</li> </ul>	- -
Sound is too weak or too strong.	<ul style="list-style-type: none"> <li>Is the amplifier's connection selector (MC or MM) set to the proper setting for the type (output) of the cartridge being used ?</li> </ul>	-

**7 MAIN SPECIFICATIONS**

<p>■ <b>Turntable</b></p> <p><b>Drive method:</b> Direct drive</p> <p><b>Turning speed:</b> 33 1/3, 45 and 78 rpm</p> <p><b>Wow/flutter:</b> 0.2 % wrms or less</p> <p><b>S/N ratio:</b> 50 dB or greater</p> <p><b>Platter:</b> Aluminum die-cast, 330 mm diameter</p> <p><b>Motor:</b> Brush less DC motor</p>	<p><b>Overhang:</b> 15 mm</p> <p><b>Arm height adjustment range:</b> Approx. 6 mm</p> <p><b>Stylus pressure adjustment range:</b> 0 to 4.0 g (1 scale = 0.1 g)</p> <p><b>Applicable cartridge weight:</b> 6 to 10 g</p>
<p>■ <b>Tone arm</b></p> <p><b>Arm type:</b> Static balance, S-shaped arm pipe</p> <p><b>Effective length:</b> 234 mm</p>	<p>■ <b>General</b></p> <p><b>Power supply:</b> AC 115/230 V, 50/60 Hz</p> <p><b>Power consumption:</b> 15 W</p> <p><b>Dimensions:</b> 448 (W) x 156 (H) x 350 (D) mm 17-1/4 (W) x 6-9/64 (H) x 13-25/32 (D) in.</p> <p><b>Weight:</b> Approx. 12 kg (26.0 lbs)</p>