

DENON *PROFESSIONAL*

INTEGRATED AMPLIFIER

DN-A300M

OPERATING INSTRUCTIONS

MODE D'EMPLOI

INSTRUCCIONES DE FUNCIONAMIENTO

☐ SAFETY PRECAUTIONS



CAUTION

RISK OF ELECTRIC SHOCK

DO NOT OPEN



CAUTION:
TO REDUCE THE RISK OF ELECTRIC SHOCK, DO NOT REMOVE COVER (OR BACK). NO USER-SERVICEABLE PARTS INSIDE. REFER SERVICING TO QUALIFIED SERVICE PERSONNEL.

The lightning flash with arrowhead symbol, within an equilateral triangle, is intended to alert the user to the presence of uninsulated "dangerous voltage" within the product's enclosure that may be of sufficient magnitude to constitute a risk of electric shock to persons.

The exclamation point within an equilateral triangle is intended to alert the user to the presence of important operating and maintenance (servicing) instructions in the literature accompanying the appliance.

WARNING:
TO REDUCE THE RISK OF FIRE OR ELECTRIC SHOCK, DO NOT EXPOSE THIS APPLIANCE TO RAIN OR MOISTURE.

CAUTION:

- The ventilation should not be impeded by covering the ventilation openings with items, such as newspapers, tablecloths, curtains, etc.
- No naked flame sources, such as lighted candles, should be placed on the apparatus.
- Attention should be drawn to the environmental aspects of battery disposal.
- Do not expose the set to dripping or splashing fluids.
- No objects filled with liquids, such as vases, shall be placed on the apparatus.

ATTENTION:

- La ventilation ne doit pas être gênée en recouvrant les ouvertures de la ventilation avec des objets tels que journaux, rideaux, tissus, etc.
- Aucune flamme nue, par exemple une bougie, ne doit être placée sur l'appareil.
- Veillez à respecter l'environnement lorsque vous jetez les piles usagées.
- L'appareil ne doit pas être exposé à l'eau ou à l'humidité.
- Aucun objet contenant du liquide, par exemple un vase, ne doit être placé sur l'appareil.

PRECAUCIÓN:

- La ventilación no debe quedar obstruida por hacerse cubierto las aperturas con objetos como periódicos, manteles, cortinas, etc.
- No debe colocarse sobre el aparato ninguna fuente inflamable sin protección, como velas encendidas.
- A la hora de deshacerse de las pilas, respete la normativa para el cuidado del medio ambiente.
- No se expondrá el aparato al goteo o salpicaduras cuando se utilice.
- No se colocarán sobre el aparato objetos llenos de líquido, como jarros.

IMPORTANT SAFETY INSTRUCTIONS

- 1) Read these instructions.
- 2) Keep these instructions.
- 3) Heed all warnings.
- 4) Follow all instructions.
- 5) Do not use this apparatus near water.
- 6) Clean only with dry cloth.
- 7) Do not block any ventilation openings.
Install in accordance with the manufacturer's instructions.
- 8) Do not install near any heat sources such as radiators, heat registers, stoves, or other apparatus (including amplifiers) that produce heat.
- 9) Do not defeat the safety purpose of the polarized or grounding-type plug. A polarized plug has two blades with one wider than the other.
A grounding type plug has two blades and a third grounding prong. The wide blade or the third prong are provided for your safety. If the provided plug does not fit into your outlet, consult an electrician for replacement of the obsolete outlet.
- 10) Protect the power cord from being walked on or pinched particularly at plugs, convenience receptacles, and the point where they exit from the apparatus.

- 11) Only use attachments/accessories specified by the manufacturer.
- 12) Use only with the cart, stand, tripod, bracket, or table specified by the manufacturer, or sold with the apparatus.
When a cart is used, use caution when moving the cart/apparatus combination to avoid injury from tip-over.



PORTABLE CART WARNING

- 13) Unplug this apparatus during lightning storms or when unused for long periods of time.
- 14) Refer all servicing to qualified service personnel. Servicing is required when the apparatus has been damaged in any way, such as power-supply cord or plug is damaged, liquid has been spilled or objects have fallen into the apparatus, the apparatus has been exposed to rain or moisture, does not operate normally, or has been dropped.

CAUTION:
 To completely disconnect this product from the mains, disconnect the plug from the wall socket outlet.
 The mains plug is used to completely interrupt the power supply to the unit and must be within easy access by the user.

PRECAUTION:
 Pour déconnecter complètement ce produit du courant secteur, débranchez la prise de la prise murale.
 La prise secteur est utilisée pour couper complètement l'alimentation de l'appareil et l'utilisateur doit pouvoir y accéder facilement.

PRECAUCIÓN:
 Para desconectar completamente este producto de la alimentación eléctrica, desconecte el enchufe del enchufe de la pared.
 El enchufe de la alimentación se utiliza para interrumpir por completo el suministro de alimentación a la unidad y debe de encontrarse en un lugar al que el usuario tenga fácil acceso.

FCC INFORMATION (For US customers)

1. PRODUCT

This product complies with Part 15 of the FCC Rules. Operation is subject to the following two conditions: (1) this product may not cause harmful interference, and (2) this product must accept any interference received, including interference that may cause undesired operation.

2. IMPORTANT NOTICE : DO NOT MODIFY THIS PRODUCT

This product, when installed as indicated in the instructions contained in this manual, meets FCC requirements. Modification not expressly approved by DENON may void your authority, granted by the FCC, to use the product.

3. NOTE

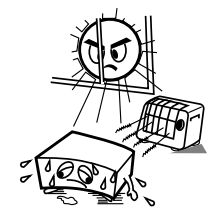
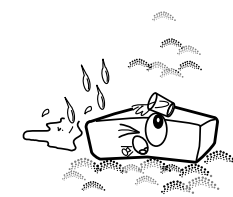
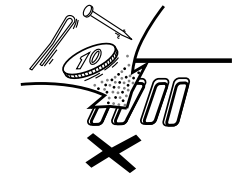
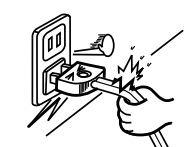
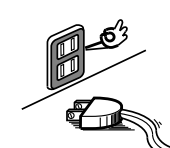

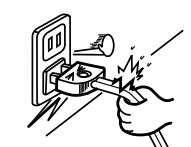


This product has been tested and found to comply with the limits for a Class B digital device, pursuant to Part 15 of the FCC Rules. These limits are designed to provide reasonable protection against harmful interference in a residential installation.

This product generates, uses and can radiate radio frequency energy and, if not installed and used in accordance with the instructions, may cause harmful interference to radio communications. However, there is no guarantee that interference will not occur in a particular installation. If this product does cause harmful interference to radio or television reception, which can be determined by turning the product OFF and ON, the user is encouraged to try to correct the interference by one or more of the following measures:

- Reorient or relocate the receiving antenna.
- Increase the separation between the equipment and receiver.
- Connect the product into an outlet on a circuit different from that to which the receiver is connected.
- Consult the local retailer authorized to distribute this type of product or an experienced radio/TV technician for help.

This Class B digital apparatus complies with Canadian ICES-003.
Cet appareil numérique de la Classe B est conforme à la norme NMB-003 du Canada.

NOTE ON USE/OBSERVATIONS RELATIVES A L'UTILISATION/ NOTAS SOBRE EL USO

 <ul style="list-style-type: none"> • Avoid high temperatures. Allow for sufficient heat dispersion when installed in a rack. • Eviter des températures élevées. Tenir compte d'une dispersion de chaleur suffisante lors de l'installation sur une étagère. • Evite altas temperaturas. Permite la suficiente dispersión del calor cuando está instalado en la consola. 	 <ul style="list-style-type: none"> • Keep the apparatus free from moisture, water, and dust. • Protéger l'appareil contre l'humidité, l'eau et la poussière. • Mantenga el equipo libre de humedad, agua y polvo. 	 <ul style="list-style-type: none"> • Do not let foreign objects into the apparatus. • Ne pas laisser des objets étrangers dans l'appareil. • No deje objetos extraños dentro del equipo.
 <ul style="list-style-type: none"> • Handle the power cord carefully. Hold the plug when unplugging the cord. • Manipuler le cordon d'alimentation avec précaution. Tenir la prise lors du débranchement du cordon. • Maneje el cordón de energía con cuidado. Sostenga el enchufe cuando desconecte el cordón de energía. 	 <ul style="list-style-type: none"> • Unplug the power cord when not using the apparatus for long periods of time. • Débrancher le cordon d'alimentation lorsque l'appareil n'est pas utilisé pendant de longues périodes. • Desconecte el cordón de energía cuando no utilice el equipo por mucho tiempo. 	 <ul style="list-style-type: none"> • Do not let insecticides, benzene, and thinner come in contact with the apparatus. • Ne pas mettre en contact des insecticides, du benzène et un diluant avec l'appareil. • No permita el contacto de insecticidas, gasolina y diluyentes con el equipo.
 <ul style="list-style-type: none"> • Handle the power cord carefully. Hold the plug when unplugging the cord. • Manipuler le cordon d'alimentation avec précaution. Tenir la prise lors du débranchement du cordon. • Maneje el cordón de energía con cuidado. Sostenga el enchufe cuando desconecte el cordón de energía. 	 <p>* (For apparatuses with ventilation holes)</p> <ul style="list-style-type: none"> • Do not obstruct the ventilation holes. • Ne pas obstruer les trous d'aération. • No obstruya los orificios de ventilación. 	 <ul style="list-style-type: none"> • Never disassemble or modify the apparatus in any way. • Ne jamais démonter ou modifier l'appareil d'une manière ou d'une autre. • Nunca desarme o modifique el equipo de ninguna manera.

Getting Started

Thank you for choosing the DENON PROFESSIONAL DN-A300M Pre-main Amplifier. This remarkable component has been engineered to provide superb sound, as well as providing outstanding high fidelity reproduction of your favorite music sources.

As this product is provided with an immense array of features, we recommend that before you begin hookup and operation that you review the contents of this manual before proceeding.

Contents

Getting Started

Accessories	1
Cautions on installation	1
Cautions on using mobile phones	1
Before using	1
About the remote control unit	1
Inserting the batteries	2
Operating range of the remote control unit	2
Part names and functions	
Front panel	2, 3
Rear panel	3
Remote control unit	3

Connections

Mounting the set on the rack	4
Connecting the Audio Equipment	4
Cable indications	4
Connecting the speakers	4
Connecting Players and Speakers	5
Connecting Recorders	5
Connecting the power cord	5

Operation

Preparations prior to playing	6
Starting playback	6
Using the microphone	6
Starting recording	6

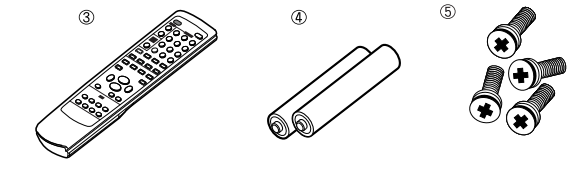
Troubleshooting	7
-----------------------	---

Specifications	7
----------------------	---

Accessories

Check that the following parts are attached in addition to the main unit:

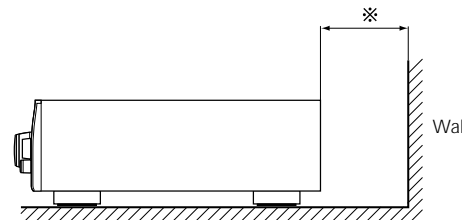
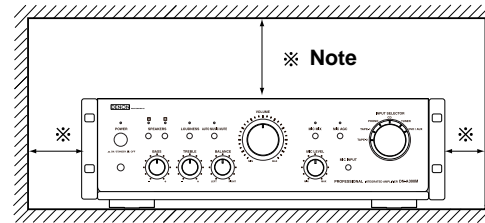
① Operating instructions	1
② Service station list	1
③ Remote control unit (RC-1101)	1
④ Batteries (R03/AAA)	2
⑤ Mounting screws	4



Cautions on installation

Note:

For heat dispersal, do not install this unit in a confined space such as a bookcase or similar enclosure.



Cautions on using mobile phones

Using a mobile phone near this unit may result in noise. If so, move the mobile phone away from this unit when it is in use.

Before using

Pay attention to the following before using this unit:

• Moving the set

To prevent short-circuits or damaged wires in the connection cables, always unplug the power supply cord and disconnect the connection cables between all other audio components when moving the unit.

• Before turning the power switch on

Check once again that all connections are correct and that there are not problems with the connection cables. Always set the power switch to the standby position before connecting and disconnecting connection cables.

• Store the operating instructions in a safe place.

After reading the operating instructions, store them in a safe place as they could come in handy in the future.

• Whenever the power switch is in the STANDBY state, the unit is still connected to AC line voltage.

Please be sure to turn off the power switch or unplug the cord when you leave home for, say, a vacation.

• Note that the illustrations in these instructions may differ from the actual unit for explanation purposes.

About the remote control unit

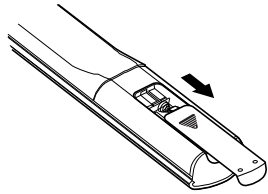
The included remote control unit can be used to control DENON PROFESSIONAL CD players, tape decks and tuners.

※ Some products may not be operable.

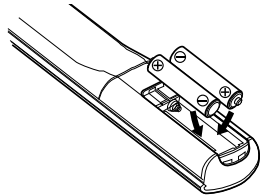
Getting Started

Inserting the batteries

① Remove the remote control unit's rear cover.



② Set two R03/AAA batteries in the battery compartment in the indicated direction.



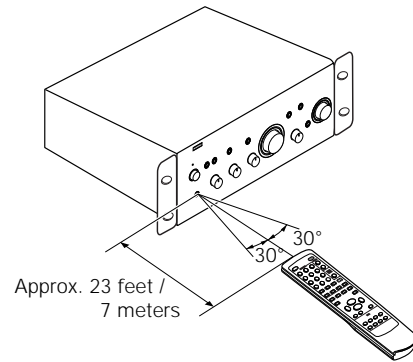
③ Put the rear cover back on.

Notes on batteries:

- Replace the batteries with new ones if the set does not operate even when the remote control unit is operated nearby the unit. (The attached batteries are only for verifying operation.)
- When inserting the batteries, be sure to do so in the proper direction, following the “⊕” and “⊖” marks in the battery compartment.
- To prevent damage or leakage of battery fluid:
 - Do not use a new battery together with an old one.
 - Do not use two different types of batteries.
 - Do not short-circuit, disassemble, heat or dispose of batteries in flames.
- If the battery fluid should leak, carefully wipe the fluid off the inside of the battery compartment and insert new batteries.
- Remove the batteries from the remote if it will not be in use for long periods.

Operating range of the remote control unit

- Point the remote control unit at the remote sensor when operating it.
- The remote control unit can be used from a distance of up to about 23 feet / 7 meters, at a horizontal angle of up to 30° with respect to the sensor.



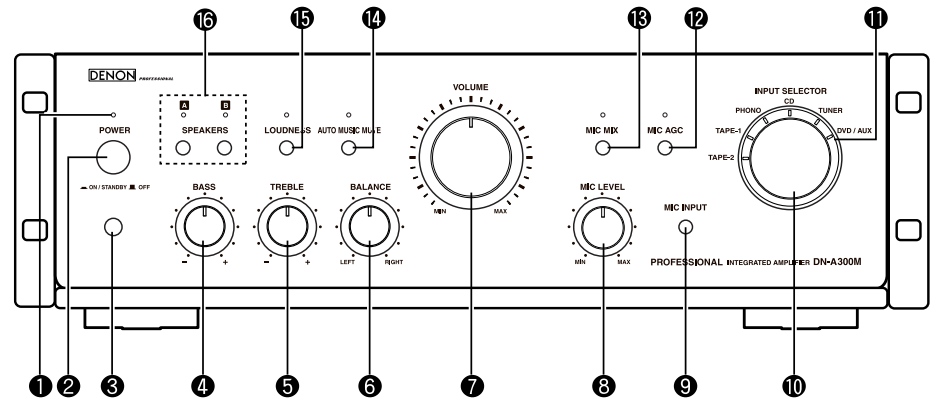
NOTE:

- It may be difficult to operate the remote control unit if the remote sensor is exposed to direct sunlight or strong artificial light.

Getting Started

Part names and functions

Front panel



- ① **POWER indicator**
- ② **POWER switch (ON/STANDBY OFF)**
- ③ **Remote control sensor**
- ④ **BASS control knob**
- ⑤ **TREBLE control knob**
- ⑥ **BALANCE control knob**
- ⑦ **VOLUME control knob**
- ⑧ **MIC LEVEL control knob**
- ⑨ **MIC INPUT jack**
- ⑩ **INPUT SELECTOR knob**
Use this to select the source that you wish to listen to.
- ⑪ **Input indicator**
The selected input is shown with an orange indicator.
- ⑫ **MIC AGC(Auto Gain Control) button/indicator**
Adjusts the level to prevent clipping the sound when mic input level is extremely high.

NOTE:

- This function works when the MIC MIX indicator lights up.

- ⑬ **MIC MIX button/indicator**
Mixes mic input with source input and outputs them.
- ⑭ **AUTO MUSIC MUTE button/indicator**
Use this to output source input as its level is attenuated with the MUSIC MUTE LEVEL knob on the rear panel when mixing mic input with source input.
- NOTE:
• This function works when the MIC MIX indicator lights up.
- ⑮ **LOUDNESS button/indicator**
Amplifies the bass and treble sound that is hard to hear at low volume level and achieves a more natural sound.
- ⑯ **SPEAKERS A/B buttons/indicators**
Switches the speakers connected to speaker output terminals.

Getting Started

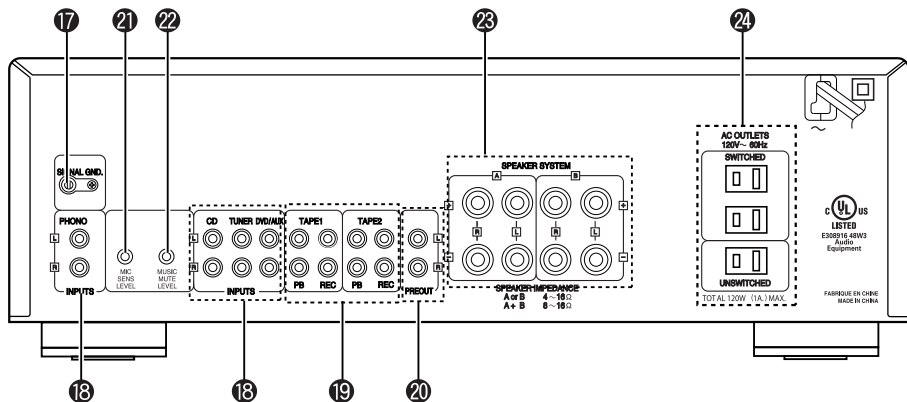


- When the **VOLUME** control knob is set just beyond the "12 o'clock" position (over halfway), the adjustments that can be made with the **BASS** and **TREBLE** controls is decreased.
- When the **VOLUME** control knob is set to maximum or turned fully clockwise, the bass and treble can no longer be adjusted.

NOTE:

- Functions ⑧, ⑫, ⑰ and ⑳ are only available when the **MIC MIX** ⑬ function is turned on.

Rear panel



⑰ SIGNAL GND (ground) terminal

Connect the ground wire from your turntable here.

NOTE:

- This terminal is not a safety ground.

⑱ INPUTS terminals

Connect your source equipment here.

⑲ Recording input/output terminals (TAPE-1 and TAPE-2)

Connect your recording equipment here.

⑳ PRE OUT terminals

Use this to add such equipment as a power amplifier or subwoofer.

㉑ MIC SENSE LEVEL knob

The mic input sensitivity can be adjusted. Left turn is low sensitivity. Right turn is high sensitivity.

㉒ MUSIC MUTE LEVEL knob

The source input attenuation level can be adjusted (-20dB ~ 0dB) when mixing mic input with source input.

㉓ SPEAKER SYSTEMS terminals

Connect your speakers here.

㉔ AC OUTLETS

Use these as the power outlets for other audio devices. Check equipment power requirement ratings before use (see the ratings as marked on the rear panel). If in doubt consult with your dealer or DENON PROFESSIONAL distributor.



- Short-circuiting plugs are inserted into the PHONO input terminals. Remove these when connecting a turntable. Be sure to keep it for future use.

NOTE:

- NEVER insert the short-circuiting pin plug into the recording output or PRE OUT terminals. Doing so could result in damage.

Getting Started

Remote control unit

Amplifier operating buttons

SPEAKERS A/B button
This switches the speakers connected to speaker terminals.

POWER button
This operates the main unit's power.

Input selector buttons
These switch the input source.

MUTE button
Press this to mute the sound. The power indicator on the main unit blinks red. Press again to produce sound.

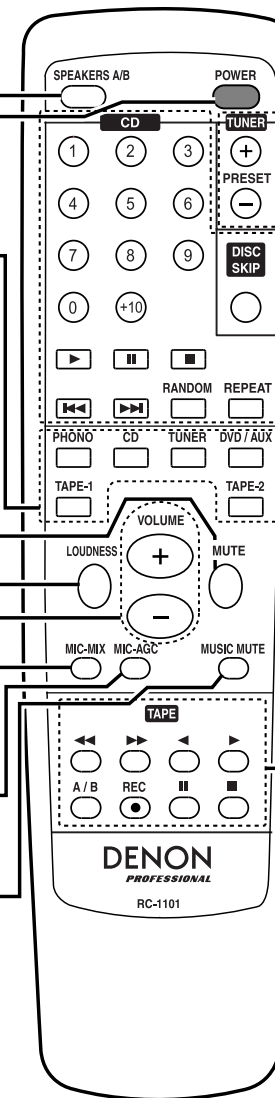
LOUDNESS button
This amplifier the bass and treble sound that is hard to hear at low volume level and achieves a more natural sound.

Volume +, - buttons
These adjust the volume.

MIC MIX button
This mixes mic input with source input and outputs them.

MIC AGC button
This adjusts the level to prevent clipping the sound.

AUTO MUSIC MUTE button
This outputs source input as its level is attenuated with the MUSIC MUTE LEVEL knob on the rear panel.



DENON PROFESSIONAL product operating buttons

TUNER block
TUNER PRESET +, -
These switch the preset channel.

CD player block
0-9, +10 : Number buttons
DISC SKIP : This button selects the disc, when using a DENON PROFESSIONAL multi-disc CD player.

▶ : Play
⏸ : Pause
■ : Stop
⏮, ⏭ : Search
RANDOM : Random playback
REPEAT : Repeat playback

Tape deck block
⏮, ⏭ : Rewind
⏩ : Fast-forward
⏪, ⏴ : Reverse play
▶ : Forward play
A/B : Switch between decks A and B for double decks
REC : Record
⏸ : Pause
■ : Stop



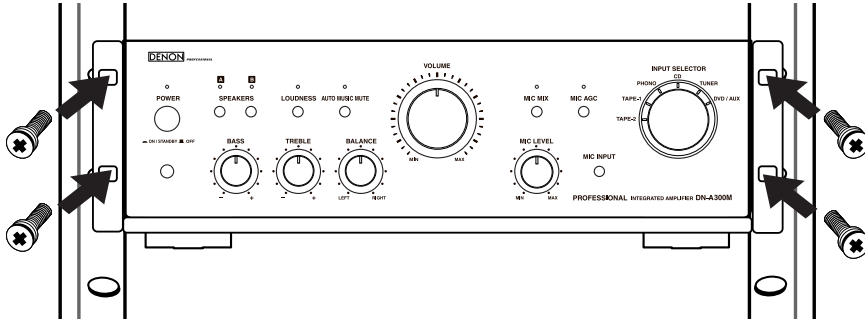
- The included remote control unit can be used to operate DENON PROFESSIONAL CD players, tape decks and tuners.
- When using it, also refer to the operating instructions of the other devices.
- Some products may not be operable.

Connections

Mounting the set on the rack

This set is attached the mounting brackets(left, right and bottom) and is shipped from the factory. You can mount the set on the rack with using these brackets.

1. Install the set into the rack.
2. Fasten four supplied screws through the left and right brackets' screw holes into the rack to fix the set to it.



- When rack-mounting the unit, allow enough free space around the unit for normal ventilation. This should be: 10 cm at the sides, 15 cm behind, and 30 cm above.
- For normal ventilation during use, remove the rear of the rack or open a ventilation hole.
- If the airflow is not adequate, the unit will heat up inside and may cause a fire.
- This unit has ventilation holes at the top, bottom, and rear to prevent the internal temperature rising too high. Do not block them. Blocked ventilation holes are a fire hazard.

Connecting the Audio Equipment

NOTE:

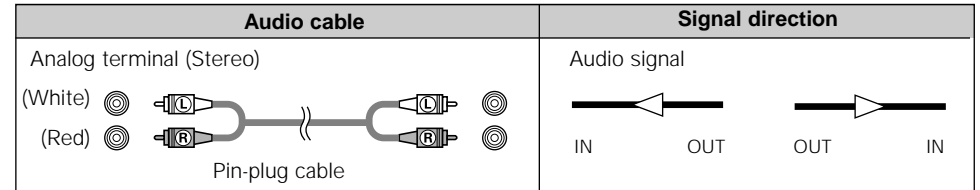
- Do not plug in the power cord until all connections have been completed.
 - When making connections, also refer to the operating instructions of the other components.
 - Be sure to connect the left and right channels properly (left with left, right with right).
 - Do not bundle power cords together with speaker cables. Doing so could result in humming or noise.
 - Do not turn up the volume when no turntable is connected to the PHONO input terminals. Doing so will cause humming or noise.
- When not connecting a turntable, leave the included short-circuiting pin plug plugged in.

Cautions on playing SA sources:

When regular speakers not compatible with SA sources (DVD Audio discs, Super Audio CDs and other sources including treble components above the audible range), set the properties of the player (DVD Audio player, Super Audio CD player, etc.) for use with regular speakers (or amplifiers). The speakers may be damaged if the volume is set too high when playing SA sources. For instructions on setting the player, refer to the operating instructions included with the player.

Cable indications

The hookup diagrams on the subsequent pages assume the use of the following optional connection cables (not supplied).

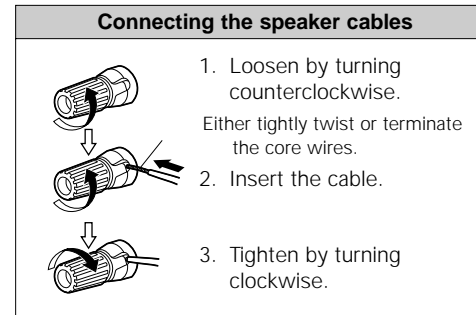


Connecting the speakers

Connect the speaker terminals with the speakers making sure that like polarities are matched (\oplus with \oplus , \ominus with \ominus).

Speaker impedance

Use speakers with impedances within the ranges shown below according to their usage conditions.



Speakers used	Impedance
A or B only	4 ~ 16 Ω /ohms
Both A and B	8 ~ 16 Ω /ohms

Note on speaker impedance

When using speakers with an impedance below the designated value (for example 4 Ω /ohms), playing for long periods of time with the volume high could cause the temperature to rise, activating the protection circuit. When the protection circuit is activated, the output to the speakers is cut off and the power indicator blinks. If this happens, unplug the power cord, wait for the set to cool off and improve ventilation around the unit. Also check the wiring of the input cables and the speaker cables. After doing this, plug the power cord back in and turn the unit's power back on. If the protection circuit is activated again even though there are no problems with the wiring or the ventilation around the unit, switch off the power and contact a DENON PROFESSIONAL service center.

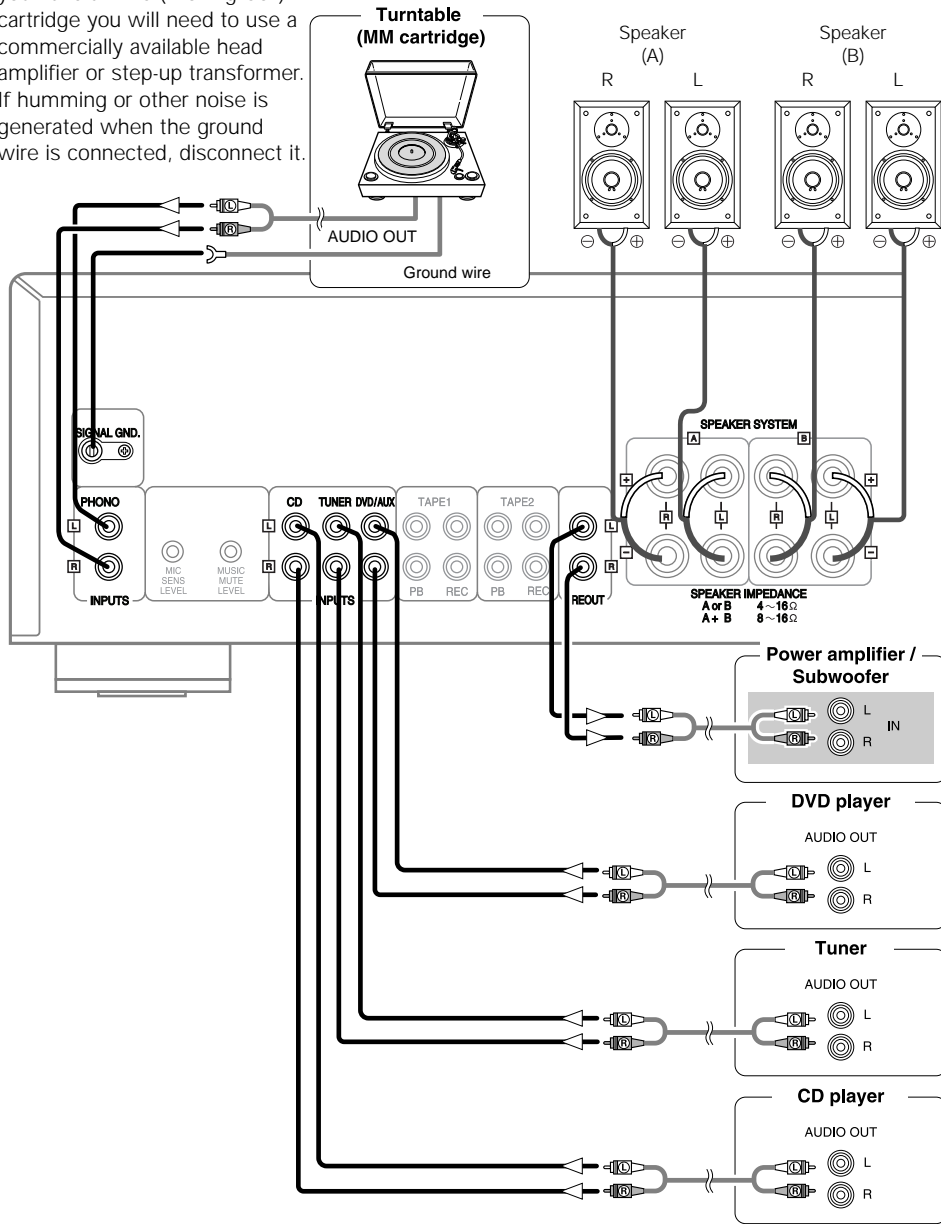
NOTE:

When making connections, take care that none of the individual conductors of the speaker cable come in contact with adjacent terminals, with other speaker cable conductors, or with the rear panel and screws. NEVER touch the speaker terminals when the power is on. Doing so could result in electric shocks.

Connections

Connecting Players and Speakers

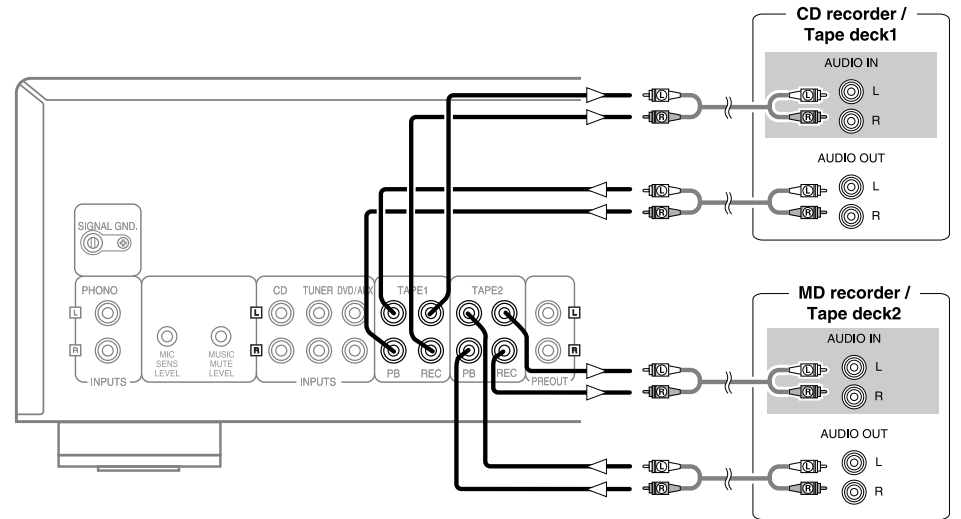
- Only Turntables fitted with a MM (Moving Magnet) cartridge can be used with this unit. If you have an MC (Moving Coil) cartridge you will need to use a commercially available head amplifier or step-up transformer.
- If humming or other noise is generated when the ground wire is connected, disconnect it.



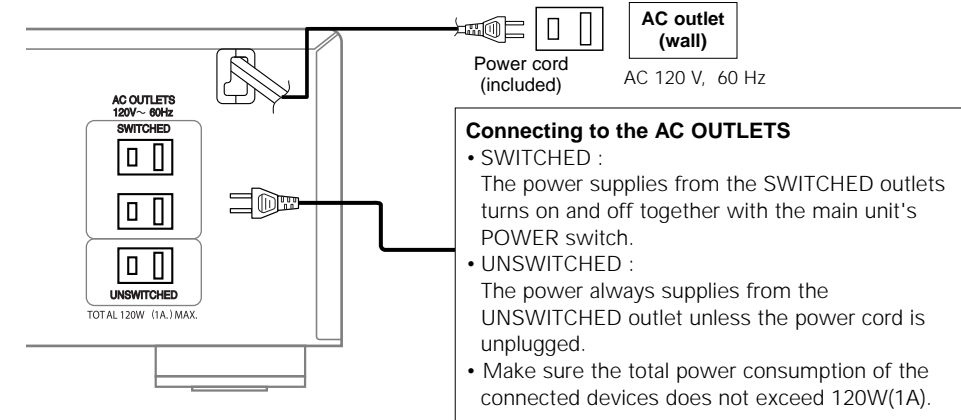
5

Connections

Connecting Recorders



Connecting the power cord



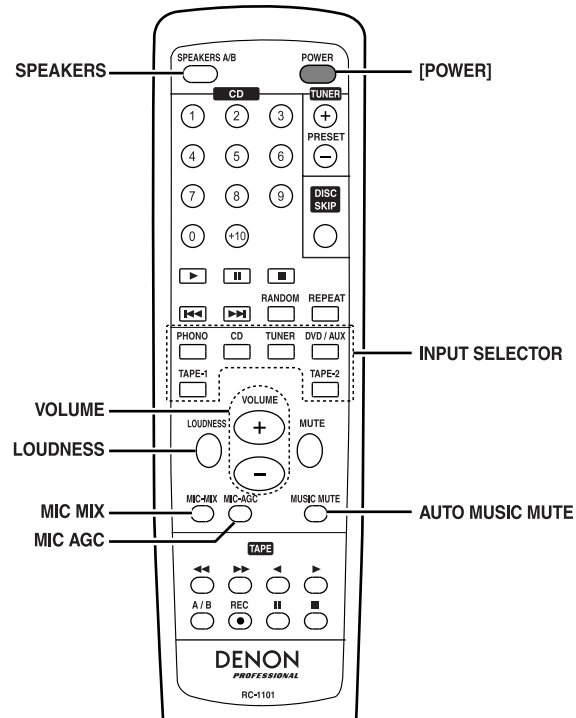
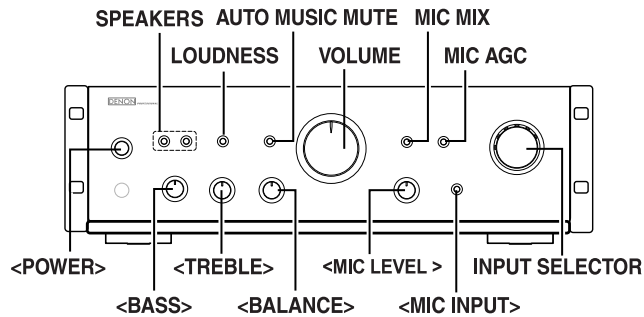
Connecting to the AC OUTLETS

- **SWITCHED :**
The power supplies from the SWITCHED outlets turns on and off together with the main unit's POWER switch.
- **UNSWITCHED :**
The power always supplies from the UNSWITCHED outlet unless the power cord is unplugged.
- Make sure the total power consumption of the connected devices does not exceed 120W(1A).

NOTE:

- Only use the AC OUTLETS for audio equipment. Never use it for hair driers, TVs or other electrical appliances.
- Insert the plugs securely. Incomplete connections will result in the generation of noise.

Operation



About the button names in this explanation

< > : Buttons on the main unit

[] : Buttons on the remote control unit

Button name only :

Buttons on the main unit and remote control unit

Preparations prior to playing

- 1 Set the volume to the minimum by using **VOLUME**.
- 2 Set **<BASS>**, **<TREBLE>** and **<BALANCE>** to the center position.
- 3 Turn on the power by pressing **<POWER>**.
 - The power indicator blinks red for several seconds, then lights green.

Turning the Power Off

- ① Press [POWER]
 - The power indicator lights red and the power is set to the standby mode.
 - When in the standby mode, press [POWER] to turn the power on.
- ② Press <POWER>
 - The power indicator turns off, and so does the power.

NOTE:

- Power continues to be supplied to some of the circuitry even when the power is in the standby mode. When leaving home for long periods of time or when traveling, either press <POWER> to turn off the power, or unplug the power cord from the power outlet.

Starting playback

- 1 Use **INPUT SELECTOR** to select the source to be played.
 - Select one of the sources among the following: TAPE-2, TAPE-1, PHONO, CD, TUNER and DVD/AUX.
 - The input indicator for the selected source lights.
- 2 Play the selected source.
- 3 Adjust the volume by using **VOLUME**.
- 4 Adjust the tone with **<BASS>**, **<TREBLE>**, **<BALANCE>** and **LOUDNESS**.

Using the microphone

- 1 Plug the microphone with 1/4" jack.
- 2 Set **MIC MIX** to "ON".
 - The MIC MIX indicator lights orange, then the mic input can be mixed with the source input.
- 3 Set **AUTO MUSIC MUTE** and **MIC AGC** to "ON" or "OFF".
 - AUTO MUSIC MUTE can be setting the mute level. (Page 3)
- 4 Adjust the mic level by using **<MIC LEVEL>**.
- 5 Use the microphone.

NOTES:

- When not using the microphone, unplug it.
- DN-A300M does not have Phantom Power.
- It is recommended to use a microphone equipped with a talk switch. Otherwise, the music source may be muted if a trigger signal is output. Please turn AUTO MUSIC MUTE button off when you do not use a microphone.

Starting recording

- 1 Use **INPUT SELECTOR** to select the source (other than TAPE-1 or TAPE-2) to be recorded.
 - When you select PHONO, CD, TUNER or DVD/AUX, recording can be made on TAPE-1, TAPE-2 or both simultaneously.
- 2 Set the device connected to the TAPE-1 (or TAPE-2) terminal to the recorded mode.
- 3 Start playing the source to be recorded.

Troubleshooting

Check the following before assuming there is a problem with the set

1. Are all connections proper ?
2. Is the set being operated as described in the operating instructions ?
3. Are the speakers and input components being operated properly ?

If the set does not seem to be operating properly, check the points listed below. If these points do not apply, the set may be damaged. Turn off the power immediately and contact your store of purchase.

Symptom	Cause	Measures	Page
When the power is turned on, the power indicator does not light and no sound is produced.	<ul style="list-style-type: none"> The power supply cord's plug is not fully plugged in. 	<ul style="list-style-type: none"> Make sure the unit is correctly plugged in and switched on at the mains socket. 	5
The power indicator lights but no sound is produced.	<ul style="list-style-type: none"> The speaker cables are not fully connected. The device you want to listen to has not been selected. The volume control is set to minimum. 	<ul style="list-style-type: none"> Connect securely. 	4, 5
		<ul style="list-style-type: none"> Insure the correct input is selected. 	2, 6
	<ul style="list-style-type: none"> The input cable is not fully connected. The speaker selector button is set to "OFF". 	<ul style="list-style-type: none"> Set to an appropriate level. 	2, 6
		<ul style="list-style-type: none"> Connect securely. Ensure the SPEAKER A or B buttons are set to "ON" as appropriate. 	5 2, 6
Sound is only produced from the left or right speaker(s).	<ul style="list-style-type: none"> The speaker cables are not fully connected. The input cable is not fully connected. The left/right balance is off. 	<ul style="list-style-type: none"> Connect securely. 	4, 5
		<ul style="list-style-type: none"> Connect securely. 	5
		<ul style="list-style-type: none"> Adjust to a proper balance using the balance control knob. 	2
For stereo sound, the positions of the instruments are inverted left/right.	<ul style="list-style-type: none"> The connections of the speakers or input cables are inverted. 	<ul style="list-style-type: none"> Check the connections to be sure that left is connected to left, right to right. 	4, 5
Humming sound is heard in the music when playing records.	<ul style="list-style-type: none"> The player's ground wire is not connected. The cables are not fully connected to the PHONO terminals. Influence from a TV or VCR near the player. 	<ul style="list-style-type: none"> Connect securely. 	3, 5
		<ul style="list-style-type: none"> Connect securely. 	3, 5
		<ul style="list-style-type: none"> Try changing the positions in which the devices are installed. 	-
Howling is produced along with the music if the volume is too high when playing records.	<ul style="list-style-type: none"> The player and speakers are too close together. The vibrations from the speakers are being transmitted to the player through the floor. 	<ul style="list-style-type: none"> Install the player and speakers as far from each other as possible. 	-
		<ul style="list-style-type: none"> Use cushions, etc., to absorb the speakers' vibrations. 	-
Microphone sound is not produced.	<ul style="list-style-type: none"> The microphone is plugged incompletely. The mic volume control is set to minimum. The MIC MIX button is set to "OFF". 	<ul style="list-style-type: none"> Plug securely. 	2, 6
		<ul style="list-style-type: none"> Set to an appropriate level. 	2, 6
		<ul style="list-style-type: none"> Set to "ON". 	2, 6
Clipping is produced when using the microphone.	<ul style="list-style-type: none"> The MIC AGC button is set to "OFF". 	<ul style="list-style-type: none"> Set to "ON". 	2, 6
When playing a record, the sound is distorted.	<ul style="list-style-type: none"> The needle pressure is not proper. There is dirt on the tip of the needle. The cartridge is defective. 	<ul style="list-style-type: none"> Adjust to a proper needle pressure. 	-
		<ul style="list-style-type: none"> Check the tip of the needle. 	-
		<ul style="list-style-type: none"> Replace the cartridge. 	-

Specifications

Power amplifier section

Rated Output Power: 2-channel driving (CD → SP OUT)
 70 W + 70 W (8 Ω/ohms, 20 Hz ~ 20 kHz, T.H.D. 0.07%)
 110 W + 110 W (4 Ω/ohms, DIN, 1 kHz, T.H.D. 0.7%)

High frequency distortion: 0.01% (Rated output: -3 dB), 8 Ω/ohms, 1 kHz

Output terminals: Speaker A or B: 4 ~ 16 Ω/ohms
 A + B: 8 ~ 16 Ω/ohms

Pre amplifier section

Input Sensitivity/Input Impedance: PHONO (MM): 2.5 mV/32 kΩ/kohms
 CD, TUNER, DVD/AUX,TAPE-1, TAPE-2: 150 mV/33 kΩ/kohms
 MIC : 0.6 mV/4 kΩ/kohms

RIAA Deviation: PHONO (MM): 20 Hz ~ 20 kHz ±0.5 dB

Overall performance

SN Ratio (A network): PHONO (MM): 76 dB
 (With input terminals short-circuited, 5 mV input signal)
 CD, TUNER, DVD/AUX,TAPE-1, TAPE-2: 105 dB (input terminals short-circuited)

MIC : 60 dB

Tone control : BASS: 100 Hz ±8 dB
 TREBLE: 10 kHz ±8 dB

LOUDNESS: 100 Hz +6 dB, 10 kHz +4 dB

General

Power outlets: 1 unswitched and 2 switched outlets, total capacity 120W (1A)

Power Supply: AC 120 V, 60 Hz

Power Consumption: 3.3 A

Dimensions: 483(W) x 140(H) x 372(D) mm (19"x 5-1/2"x14-21/32")
 (including protruding parts)

Net Mass: 10.3 Kg (22 lbs 11.31 oz)

Operational temperature: 5°C to 35°C (41°F to 95°F)

Storage temperature: -20°C to 60°C (4°F to 140°F)

Remote control unit (RC-1101)

Remote control type: Infrared pulse

Power supply: R03/AAA Type (2 batteries)

External dimensions: 50 (W) x 200 (H) x 27 (D) mm (2" x 7-55/64" x 1")

Mass: 128 g (Approx. 4.5 oz) (including batteries)

* For improvement purposes, specifications and functions are subject to change without advanced notice.

Introduction

Merci d'avoir choisi le préamplificateur DENON PROFESSIONAL DN-A300M. Ce remarquable composant a été conçu pour vous offrir une superbe qualité de son, ainsi qu'une fidélité de reproduction exceptionnelle de vos sources de musiques préférées.

Ce produit étant doté d'une très grande variété d'options, nous vous recommandons de parcourir le contenu de ce manuel avant de le brancher et de le faire fonctionner.

Contenu

Introduction

Accessoires	1
Précautions d'installation	1
Précautions à prendre lors de l'utilisation de téléphones portables	1
Avant l'utilisation	1
A propos de la télécommande	1
Insertion des piles	2
Portée de fonctionnement de la télécommande	2
Nomenclature et fonctions	
Panneau avant	2, 3
Panneau arrière	3
Unité de télécommande	3

Connexions

Installer l'appareil sur l'étagère	4
Branchement de l'équipement audio	4
Indications de câblages	4
Connexion des enceintes	4
Branchement des lecteurs et haut-parleurs	5
Branchement des enregistreurs	5
Connecter le cordon d'alimentation	5

Fonctionnement

Effectuer les préparations avant de l'utiliser	6
Commencer la lecture	6
Utiliser le micro	6
Commencer l'enregistrement	6

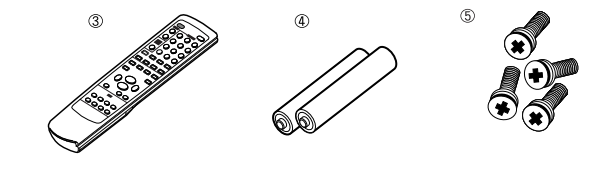
Depistage des pannes	7
----------------------------	---

Spécifications	7
----------------------	---

Accessoires

Vérifier que les articles suivants sont inclus dans le carton en plus de l'unité principale:

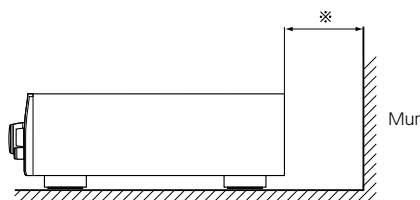
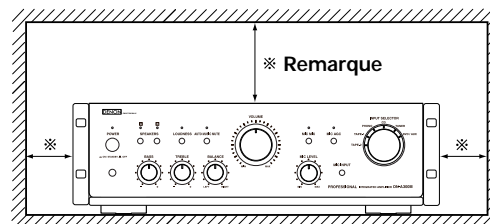
① Mode d'emploi	1
② Liste des services après-vente	1
③ Télécommande (RC-1101)	1
④ Piles (R03/AAA)	2
⑤ Fixer les vis	4



Précautions d'installation

Remarque:

Pour permettre la dissipation de chaleur, n'installez pas cet équipement dans un espace confiné tel qu'une bibliothèque ou un endroit similaire.



Précautions à prendre lors de l'utilisation de téléphones portables

L'utilisation d'un téléphone portable à proximité de cet appareil risque de causer du bruit. Dans ce cas, éloignez le téléphone portable de l'appareil lorsque celui-ci est en marche.

Avant l'utilisation

Faire attention aux points suivants avant sa mise en service:

• Déplacement de l'appareil

Afin d'éviter des court-circuits ou d'endommager les câbles de connexion, débrancher toujours le cordon d'alimentation et déconnecter les cordons de connexion entre tous les autres appareils audio lors du déplacement de l'appareil.

• Avant de mettre l'appareil sous tension

Vérifier que toutes les connexions sont correctement effectuées afin d'éviter tout court circuit. Placer toujours le commutateur d'alimentation sur la position arrêt avant de connecter et de déconnecter les câbles de liaison.

• Ranger les instructions d'utilisation dans un endroit sûr.

Après avoir lu les instructions d'utilisation, les ranger dans un endroit sûr pour référence ultérieure.

• A chaque fois que l'interrupteur d'alimentation est en position STANDBY, l'appareil reste connecté à la ligne de courant secteur.

Assurez-vous de mettre l'appareil hors tension ou de débrancher le câble d'alimentation lorsque vous partez longtemps, en vacances par exemple.

• Remarque que les illustrations dans ce manuel sont données à titre explicatif et peuvent être différentes par rapport à l'appareil.

A propos de la télécommande

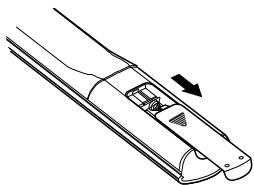
La télécommande incluse permet de contrôler l'unité et peut être utilisée pour contrôler des lecteurs CD, des platines cassettes et des tuners DENON PROFESSIONAL.

* Certains produits ne fonctionnent cependant pas avec la télécommande.

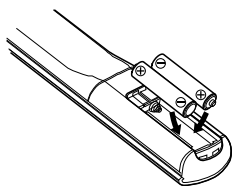
Introduction

Insertion des piles

- ① Déposer le couvercle arrière de l'unité de télécommande comme ceci.



- ② Insérez deux piles R03/AAA dans le compartiment à piles dans le sens indiqué.



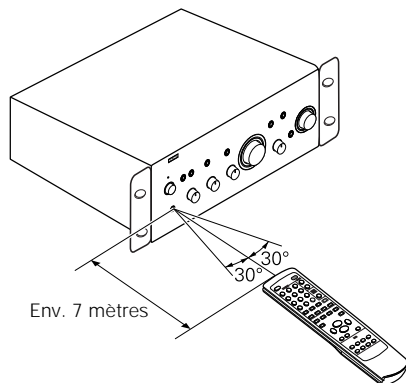
- ③ Remettre le couvercle arrière en place.

Remarques sur les piles:

- Remplacer les piles par des neuves si la télécommande est inopérante lorsque l'unité de télécommande est actionnée à proximité. (La pile fournie ne sert que pour la vérification du fonctionnement.)
- Lors de l'insertion des piles, toujours procéder dans la bonne direction, en suivant les marques "⊕" et "⊖" du compartiment à piles.
- Pour éviter des dommages ou une fuite du liquide de pile:
 - Ne pas utiliser de pile neuve avec une ancienne.
 - Ne pas utiliser deux types de pile différents.
 - Ne pas court-circuiter, chauffer ou jeter les piles dans des flammes.
- Si le liquide de pile devait fuir, essayer soigneusement le liquide de l'intérieur du compartiment à piles, et insérer de nouvelles piles.
- Ôtez les piles de la télécommande si elle ne doit pas être utilisée pendant une longue période.

Portée de fonctionnement de la télécommande

- Pointer la télécommande sur le détecteur de télécommande lors de son utilisation.
- La télécommande peut être utilisée jusqu'à une distance de 7 mètres et jusqu'à un angle de 30° par rapport au capteur.

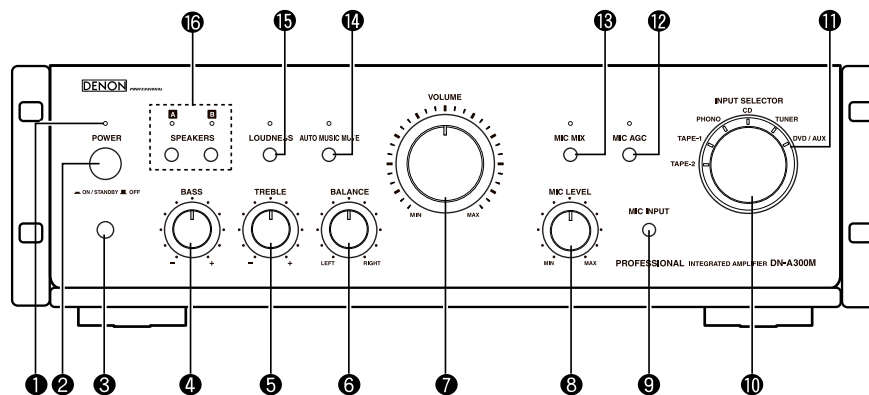


REMARQUE:

- Le capteur est sensible à la lumière : qu'elle soit solaire ou artificielle, elle comporte des rayons infrarouge pouvant perturber son contrôle.

Nomenclature et fonctions

Panneau avant



- ① Indicateur POWER

- ② Bouton POWER
(■ ON / STANDBY ■ OFF)

- ③ Capteur de la télécommande

- ④ Bouton de réglage de BASS

- ⑤ Bouton de réglage de TREBLE

- ⑥ Bouton de réglage de BALANCE

- ⑦ Bouton de réglage de VOLUME

- ⑧ Bouton de réglage de MIC LEVEL

- ⑨ Prise de MIC INPUT

- ⑩ Bouton INPUT SELECTOR

Utilisez ce bouton pour sélectionner la source que vous souhaitez écouter.

- ⑪ Indicateur Input

Input selector est indiquée en orange.

- ⑫ Bouton / indicateur MIC AGC

(Auto Gain Control)

Règle le niveau pour éviter que le son ne soit trop élevé lorsque le niveau d'entrée micro est extrêmement élevé.

REMARQUE:

- Cette fonction est disponible lorsque l'indicateur MIC MIX est allumé.

- ⑬ Bouton/ Indicateur MIC MIX

Mixes l'entrée micro avec l'entrée de la source et les sort.

- ⑭ Bouton / Indicateur AUTO MUSIC MUTE

Utilisez ce bouton pour sortir la source d'entrée. Son niveau est atténué avec le bouton MUSIC MUTE LEVEL du panneau arrière lorsque l'entrée micro est mixée avec l'entrée de la source.

REMARQUE:

- Cette fonction est disponible lorsque l'indicateur MIC MIX est allumé.

- ⑮ Bouton / Indicateur LOUDNESS

Amplifie les basses et les sons aigus difficilement audibles lorsque le volume sonore est faible et confère un son plus naturel.

- ⑯ Bouton / Indicateur SPEAKERS A/B

Bascule les haut-parleurs connectés vers les terminaux de sortie des haut-parleurs.

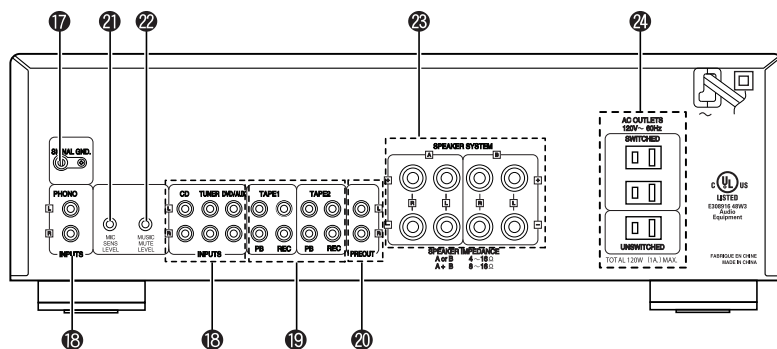
Introduction

Introduction



- Lorsque le bouton de commande du **VOLUME** est réglé juste au-delà de la position "12 heures" (au-delà de la moitié), les réglages qui peuvent être effectués avec les commandes **BASS** et **TREBLE** diminuent.
- Lorsque la bouton de commande du **VOLUME** est réglée au maximum ou tournée complètement dans le sens des aiguilles d'une montre, les basses et la tonalité ne peu plu être réglée.

Panneau arriere



17 Borne de terre du SIGNAL

Connecter le conducteur de terre de votre plateau ici.

REMARQUE:

- Cet terminal n'est une sécurité de mise à la terre.

18 Terminaux INPUT

Connectez votre appareil source ici.

19 Enregistrer les terminaux INPUT / OUTPUT (CASSETTE-1 et CASSETTE-2)

Connectez votre appareil d'enregistrement ici.

20 Terminaux de PRE OUT

Utilisez-les pour ajouter un appareil comme un amplificateur ou un caisson de basse.

21 Bouton MIC SENSE LEVEL

La sensibilité d'entrée du micro peut être réglée. Tournez vers la gauche pour baisser la sensibilité et tournez vers la droite pour augmenter la sensibilité.

22 Bouton MUSIC MUTE LEVEL

Le niveau d'atténuation de la source d'entrée peut être réglée (-20dB ~ -0dB) lorsque l'entrée mixée est mixée avec la source d'entrée.

REMARQUE:

- Les fonctions 18, 19, 21 et 22 sont uniquement disponibles si la fonction MIC MIX 18 est activée.

23 Terminaux des SPEAKERS

Connecter vos haut-parleurs ici.

24 PRISES CA

Utilisez ces prises pour les autres appareils audio. Vérifiez les tensions et les configurations de l'alimentation exigées avant des les utiliser (voir la tension à l'arrière du panneau). En cas de doute, contactez votre fournisseur ou un distributeur DENON PROFESSIONAL.



- Des interrupteurs de court-circuit sont insérés dans les terminaux d'entrées PHONO. Retirez-les lorsque vous connectez un plateau. Assurez-vous de les garder pour vous en resserrant ultérieurement.

REMARQUE:

- N'insérez jamais de connecteurs à broches de court-circuit dans les terminaux de sortie d'enregistrement ou de PRE OUT. Cela peut endommager l'appareil.

Unité de télécommande

Bouton de fonctionnement de l'amplificateur

Bouton SPEAKERS A/B

Il bascule les haut-parleurs connectés vers les terminaux des haut-parleurs.

Bouton POWER

Il met en marche l'unité principale.

Boutons Input selector

Il change de source d'entrée.

Bouton MUTE

Appuyez sur ce bouton pour mettre le son en sourdine. L'indicateur Power de l'unité principale clignote rouge. Appuyez de nouveau sur ce bouton pour remettre le son.

Bouton LOUDNESS

Amplifie les basses et les sons aigus difficilement audibles lorsque le volume sonore est faible et confère un son plus naturel.

Bouton Volume + et -

Il règle le volume.

Bouton MIC MIX

Il mixe l'entrée micro avec l'entrée de la source et les sort.

Bouton MIC AGC

Règle le niveau pour éviter que le son ne soit trop élevé.

Bouton AUTO MUSIC MUTE

Il sort la source d'entrée. Son niveau est atténué avec le bouton MUSIC MUTE LEVEL du panneau arrière lorsque l'entrée micro est mixée avec l'entrée de la source.

Introduction

Touches de fonctionnement des produits DENON PROFESSIONAL

Bloc TUNER

TUNER PRESET +, -
Pour choisir le canal présélectionné.

Bloc de lecteur CD

0-9, +10 : Touches numériques

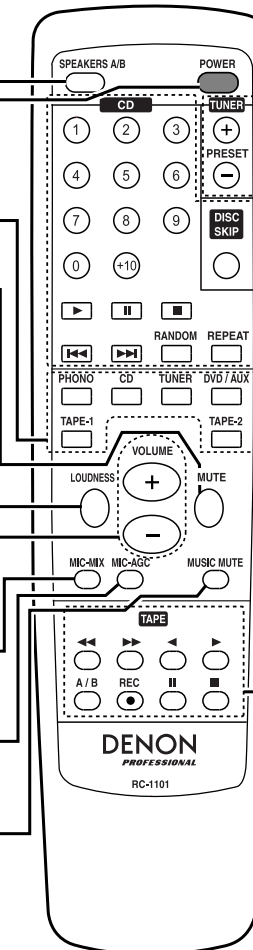
DISC SKIP : Cette touche permet de sélectionner le disque, lorsque vous utilisez un lecteur CD multi-disques DENON PROFESSIONAL.

▶ : Lecture
|| : Pause
■ : Arrêt

◀▶ : Recherche
RANDOM : Lecture aléatoire
REPEAT : Répéter lecture

Bloc platine cassette

◀◀ : Rembobinage
▶▶ : Avance rapide
◀ : Lecture inversée
▶ : Lecture avant
A/B : Bascule entre les platines A et B en cas de double platines
REC
|| : Pause
■ : Arrêt



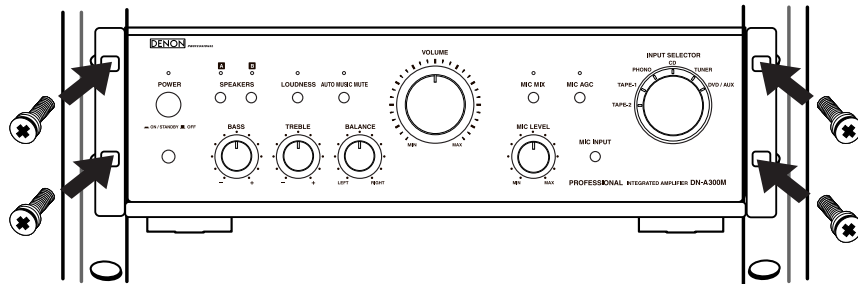
- La télécommande fournie permet de contrôler l'unité et peut être utilisée pour faire fonctionner des lecteurs CD, des platines cassettes et des tuners DENON PROFESSIONAL.
- Lorsque vous l'utilisez, reportez-vous également aux instructions de fonctionnement des autres périphériques.
- Certains produits ne fonctionnent cependant pas avec la télécommande.

Connexions

Installer l'appareil sur l'étagère

Cet appareil est livré avec les attaches de fixation (gauche, droite et dessous) et est expédié de l'usine. Il est possible de monter l'appareil sur l'étagère à l'aide de ces fixations.

1. Installez l'appareil sur l'étagère.
2. Vissez les quatre vis sur l'étagère en les faisant passer dans les trous des fixations de droite et de gauche pour le fixer.



- Lors du montage de l'appareil au mur, accordez suffisamment d'espace autour de l'appareil pour une bonne ventilation. Le dégagement devrait être de 10 cm sur les côtés, 15 cm derrière et 30 cm au-dessus.
- Pour une ventilation normale pendant l'utilisation, retirez l'arrière du support ou dégagez un orifice de ventilation.
- Si la circulation d'air ne convient pas, l'intérieur de l'appareil risque de surchauffer et de provoquer un incendie.
- Cet appareil est doté d'orifices de ventilation sur le dessus, le dessous et l'arrière pour prévenir la surchauffe interne. Ne les obstruez pas. Les orifices de ventilation obstrués représentent un risque d'incendie.

Branchement de l'équipement audio

REMARQUE:

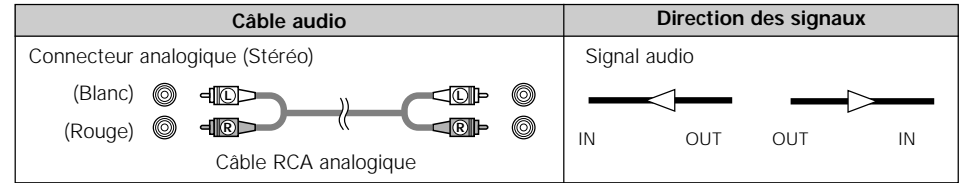
- Ne pas brancher le cordon d'alimentation avant d'avoir terminé toutes les connexions.
- Lorsque vous effectuez les connexions, référez-vous également au mode d'emploi des autres composants.
- S'assurer de connecter correctement les canaux, gauche (L) avec gauche (L) et droit (R) avec droit (R).
- Ne pas mettre mélanger "faisceau" les cordons d'alimentation avec les câbles d'enceinte. A défaut d'une telle précaution, un ronronnement ou du bruit pourrait être généré.
- Ne pas augmenter le volume si aucune platine vinyl n'est connectée aux bornes d'entrée PHONO, car cela provoquerait un bourdonnement ou du bruit. Si vous ne connectez pas de platine vinyl, laissez les capuchons en place.

Précautions à prendre lors de la lecture de sources SA:

Lorsque les haut-parleurs classiques ne sont pas compatibles avec les sources SA (DVD Audio, Super Audio CD et autres sources y compris les composants aigus au-dessus de la plage audible), réglez les paramètres du lecteur (Lecteur de DVD Audio, lecteur de Super Audio CD, etc.) pour une utilisation avec des haut-parleurs (ou amplis) classiques. Lors de la lecture de sources SA, un réglage de volume trop élevé risque d'endommager les haut-parleurs. Pour obtenir des instructions sur les réglages du lecteur, reportez-vous aux instructions de fonctionnement livrées avec le lecteur.

Indications de câblages

Les schémas de liaisons des pages suivantes impliquent l'utilisation des câbles de connexion optionnels suivants (non fournis).



Connexion des enceintes

Connecter les bornes d'enceinte aux enceintes en respectant les polarités (+ avec +, - avec -).

Connexion des câbles d'enceinte

1. Desserrer en tournant dans le sens contraire des aiguilles d'une montre. Bien torsader ou terminer les fils d'âme.
2. Insérer le cordon.
3. Serrer en tournant dans le sens des aiguilles d'une montre.

REMARQUE:

Lorsque vous effectuez les connexions, veillez à ce qu'aucun des différents conducteurs du câble d'enceinte n'entre en contact avec les bornes voisines, avec d'autres conducteurs de câble d'enceinte, ou avec le panneau arrière et les vis. **NE JAMAIS** toucher les bornes d'enceinte lorsque l'ampli est sous tension, risque de décharge électrique.

Impédance d'enceinte

Utilisez des enceintes dont l'impédance est comprise dans les limites indiquées ci-dessous, en fonction de leurs conditions d'utilisation.

Haut-parleurs utilisés	Impédance
A ou B uniquement	4 ~ 16 Ω /ohms
A la fois A et B	8 ~ 16 Ω /ohms

Remarque sur l'impédance des enceintes

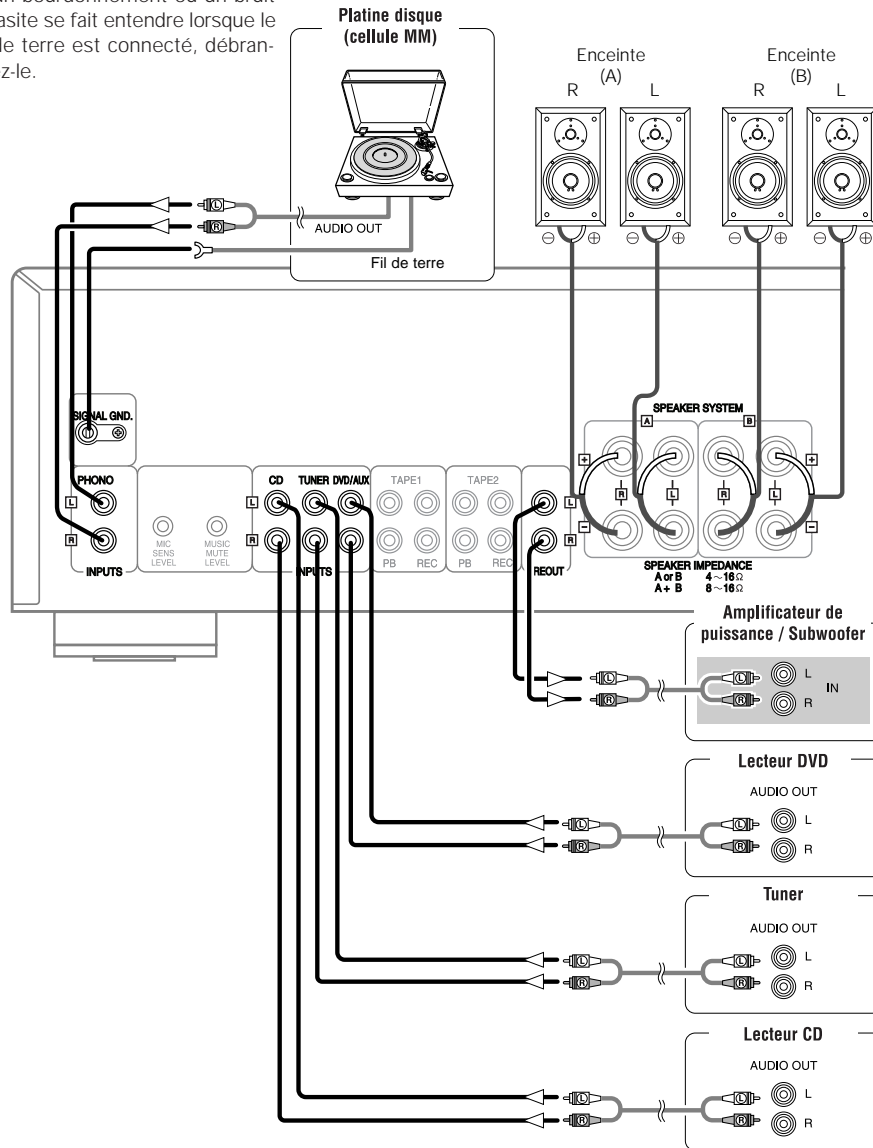
Lors de l'utilisation d'enceintes d'une impédance inférieure à la valeur désignée (par exemple 4 Ω /ohms), la lecture pendant de longues périodes à un niveau de volume élevé pourrait provoquer une montée de température, qui active le circuit de protection.

Lorsque le circuit de protection est activé, la sortie aux enceintes est coupée et le voyant d'alimentation clignote. Si cela se produit, débrancher le cordon d'alimentation, attendre le refroidissement de l'appareil et augmenter la ventilation autour de l'appareil. Vérifier également le câblage des câbles d'entrée et des câbles d'enceinte. Ensuite, rebrancher le cordon d'alimentation et allumer de nouveau l'appareil. Si le circuit de protection est à nouveau activé bien qu'il n'y ait pas de problème de câblage ou de ventilation autour de l'appareil, couper l'alimentation, et contacter le centre technique DENON PROFESSIONAL.

Connexions

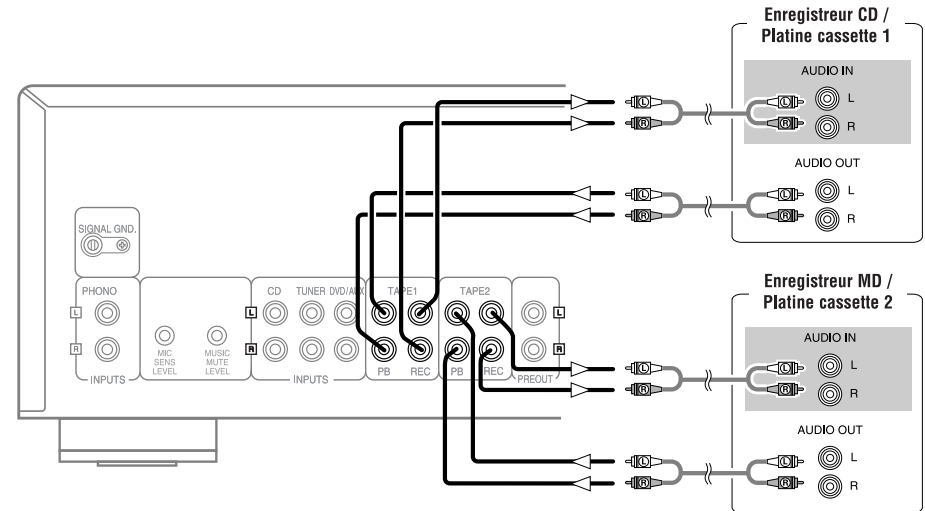
Branchement des lecteurs et haut-parleurs

- Seules les platines vinyl équipées d'une cellule MM (aimant mobile) peuvent être utilisées avec cet appareil. Si vous êtes équipé d'une cellule MC (bobine mobile), vous devrez utiliser un transformatriceur adapté aux MC.
- Si un bourdonnement ou un bruit parasite se fait entendre lorsque le fil de terre est connecté, débranchez-le.

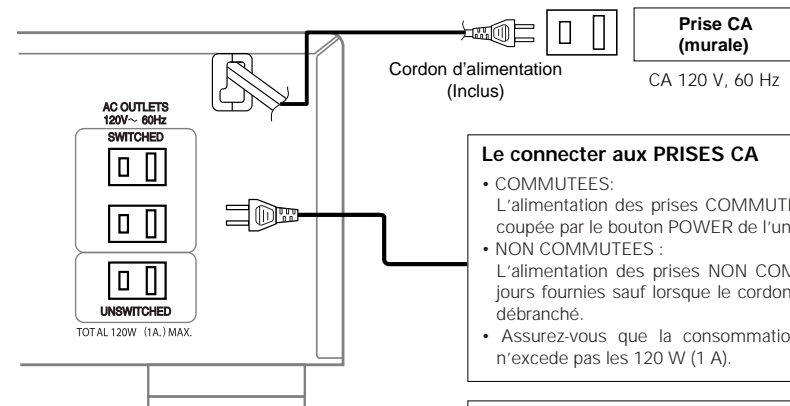


Connexions

Branchement des enregistreurs



Connecter le cordon d'alimentation



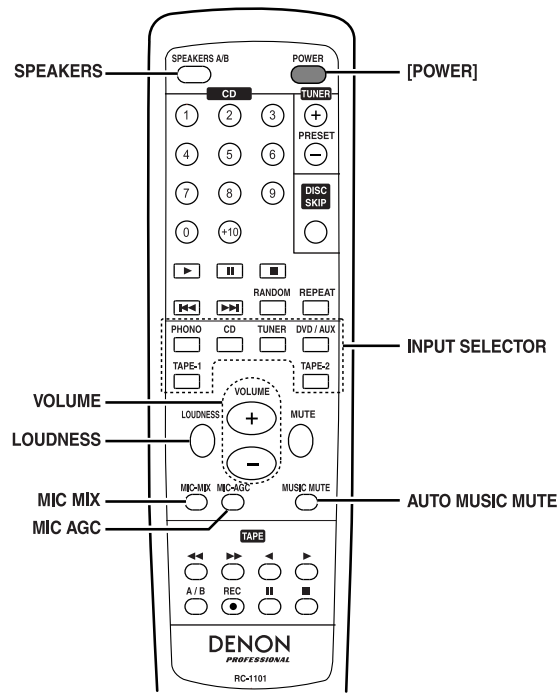
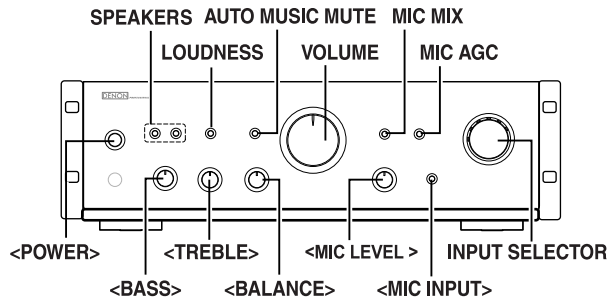
Le connecter aux PRISES CA

- **COMMUTEES:**
L'alimentation des prises COMMUTEES est fournie ou coupée par le bouton POWER de l'unité principale.
- **NON COMMUTEES :**
L'alimentation des prises NON COMMUTEES est toujours fournie sauf lorsque le cordon d'alimentation est débranché.
- Assurez-vous que la consommation totale d'énergie n'exécède pas les 120 W (1 A).

REMARQUE:

- Utilisez ces PRISES CA pour les appareils audio uniquement.
- Ne les utilisez jamais pour les sèche-cheveux, les télévisions ou autres appareils électriques.
- Insérez les prises de manière sûre. Une mauvaise connexion peut se traduire par du bruit.

Fonctionnement



A propos des noms des touches dans cette explication

< > : Touches de l'unité principale
[] : Touches de la télécommande

Nom de touche uniquement :

Touches de l'unité principale et de la télécommande

Effectuer les préparations avant de l'utiliser

- 1 Réglez le volume au minimum à l'aide du bouton **VOLUME**.
- 2 Réglez les <BASS>, <TREBLE> et la <BALANCE> sur la position centrale.
- 3 Allumez l'appareil en appuyant sur <POWER>.
 - L'indicateur POWER clignote rouge pendant plusieurs secondes avant de s'allumer en vert.

Eteindre l'appareil

- ① Appuyez sur [POWER]
 - L'indicateur POWER s'allume rouge et l'appareil est en mode veille.
 - En mode veille, appuyez sur [POWER] pour allumer l'appareil.
- ② Appuyez sur <POWER>
 - L'indicateur POWER s'éteint, tout comme l'appareil.

REMARQUE:

- Certains circuits sont toujours alimentés en électricité même lorsque l'appareil est en veille. Lorsque vous partez longtemps ou en voyage, appuyez sur le bouton <POWER> pour éteindre l'appareil ou débranchez le cordon d'alimentation de la prise.

Commencer la lecture

- 1 Utilisez **INPUT SELECTOR** pour sélectionner la source à lire.
 - Sélectionnez une des sources parmi les suivantes: CASSETTE-2, CASSETTE-1, PHONO, CD, TUNER et DVD/AUX.
 - L'indicateur d'entrée de la source sélectionnée est allumé.
- 2 Lisez la source sélectionnée.
- 3 Réglez le volume à l'aide du bouton **VOLUME**.
- 4 Réglez le ton à l'aide des boutons <BASS>, <TREBLE>, <BALANCE> et celui de la **LOUDNESS**.

Utiliser le micro

- 1 Branchez le micro à l'aide d'une prise jack 1/4".
- 2 Réglez **MIC MIX** sur "ON".
 - L'indicateur du MICRO s'allume orange, puis l'entrée du micro peut être mixée avec la source d'entrée.
- 3 Réglez **AUTO MUSIC MUTE** et **MIC AGC** sur "ON" et "OFF".
 - AUTO MUSIC MUTE peut être réglée sur le niveau Muet. (Page 3)
- 4 Réglez le niveau du micro en utilisant <MIC LEVEL>.
- 5 Utilisez le micro.

REMARQUE:

- Lorsque vous n'utilisez pas le micro, débranchez-le.
- Le DN-A300M n'est pas doté du Phantom Power.
- Il est recommandé d'utiliser un microphone muni d'un interrupteur de mutation. La source musicale risque d'être mise en sourdine, si un signal déclencheur est émis. Veuillez appuyer sur le bouton AUTO MUSIC MUTE si vous n'utilisez pas le microphone.

Commencer l'enregistrement

- 1 Utilisez **INPUT SELECTOR** pour sélectionner la source (autre que CASSETTE-1 ou CASSETTE-2) à enregistrer.
 - Lorsque vous sélectionnez PHONO, CD, TUNER ou DVD/AUX, L'enregistrement peut également se faire CASSETTE-1 ou CASSETTE-2 ou les deux en même temps.
- 2 Réglez l'appareil connecté sur le terminal de CASSETTE-1 (ou de CASSETTE-2) en fonction du mode enregistré.
- 3 Lancez la lecture de la source à enregistrer.

Depistage des pannes

Vérifier les points suivants avant de constater que l'appareil en panne

1. Toutes les connexions sont-elles correctes ?
2. L'appareil est-il utilisé correctement comme décrit dans le mode d'emploi ?
3. Les enceintes et les appareils connectés sont-ils utilisés correctement ?

Si l'appareil ne fonctionne pas correctement, vérifiez les points indiqués sur le tableau ci-dessus. S'il n'y a pas de remède, l'appareil a un fonctionnement défectueux. L'éteindre immédiatement et contacter le revendeur.

Symptôme	Cause	Remède	Page
Lorsque l'appareil est sous tension, l'indicateur d'alimentation ne s'allume pas et aucun son n'est émis.	<ul style="list-style-type: none"> • Les connexions des haut-parleurs ou des câbles d'entrée sont inversées. 	<ul style="list-style-type: none"> • Assurez-vous que cet appareil est correctement branché et relié au courant principal. 	5
L'indicateur d'alimentation s'allume mais aucun son n'est émis.	<ul style="list-style-type: none"> • Les câbles des haut-parleurs ne sont pas bien branchés. • L'appareil que vous souhaitez écouter n'a pas été sélectionné. • La commande du volume est réglée au minimum. • Le câble d'entrée n'est pas bien branché. • Le bouton de sélection des haut-parleurs est réglé sur "OFF". 	<ul style="list-style-type: none"> • Connectez correctement. • Assurez-vous que la bonne entrée a été sélectionnée. • Amenez à un niveau approprié. • Connectez correctement. • Assurez-vous que les boutons SPEAKER A ou B sont réglés sur "ON" comme il convient. 	4, 5 2, 6 2, 6 5 2, 6
Le son ne sort que du haut-parleur droit ou gauche.	<ul style="list-style-type: none"> • Les câbles des haut-parleurs ne sont pas bien branchés. • Le câble d'entrée n'est pas bien branché. • La balance droite/gauche est mal réglée. 	<ul style="list-style-type: none"> • Connectez correctement. • Connectez correctement. • Ajustez la balance appropriée à l'aide du bouton de contrôle de la balance. 	4, 5 5 2
Pour le son en stéréo, les positions des instruments sont inversées gauche/ droite.	<ul style="list-style-type: none"> • Les connexions des haut-parleurs ou des câbles d'entrée sont inversées. 	<ul style="list-style-type: none"> • Vérifiez les connexions pour vous assurer que le côté gauche est connecté au gauche et le côté droit au droit. 	4, 5
Un bourdonnement se fait entendre lors de la lecture de disques.	<ul style="list-style-type: none"> • Le fil de terre du lecteur n'est pas branché. • Les câbles ne sont pas bien connectés aux bornes PHONO. • Interférences de la télé ou d'un magnétoscope à proximité du lecteur. 	<ul style="list-style-type: none"> • Connectez correctement. • Connectez correctement. • Essayez de changer la position dont les périphériques sont installés. 	3, 5 3, 5 -
Un ronronnement se fait entendre lors de la lecture si le volume est trop élevé.	<ul style="list-style-type: none"> • Le lecteur et les haut-parleurs sont trop près les uns des autres. • Les vibrations des haut-parleurs sont transmises au lecteur par le sol. 	<ul style="list-style-type: none"> • Installez le lecteur et les haut-parleurs aussi loin que possible les uns des autres. • Servez-vous de coussins, etc., pour absorber les vibrations des haut-parleurs. 	- -
Le micro ne produit pas de son.	<ul style="list-style-type: none"> • Le micro n'est pas correctement branché. • Le volume du micro est au minimum. • Le bouton MIC MIX est sur "OFF". 	<ul style="list-style-type: none"> • Branchez-le correctement. • Réglez sur le volume sonore adéquat. • Réglez-le sur "ON". 	2, 6 2, 6 2, 6
Le micro émet des bruits nuisibles.	<ul style="list-style-type: none"> • Le bouton MIC AGC est sur "OFF". 	<ul style="list-style-type: none"> • Réglez-le sur "ON". 	2, 6
Le son est déformé pendant la lecture.	<ul style="list-style-type: none"> • La pression de l'aiguille est incorrecte. • Il y a de la poussière sur le bout de l'aiguille. • La cellule est défectueuse. 	<ul style="list-style-type: none"> • Ajustez la pression d'aiguille correcte. • Vérifiez le bout de l'aiguille. • Remplacez la cellule. 	- - -

Spécifications

Partie amplificateur de puissance

Puissance nominale:	Lecteur 2 canaux (Sortie CD → SP) 70 W + 70 W (8 Ω/ohms, 20 Hz - 20 kHz, T.H.D. 0,07%) 110 W + 110 W (4 Ω/ohms, DIN, 1 kHz, T.H.D. 0,7%) 0,01% (Puissance nominale: -3 dB), 8 Ω/ohms, 1 kHz
Distorsion de haute fréquence:	Enceinte A ou B: 4 - 16 Ω/ohms
Bornes de sortie:	A + B: 8 - 16 Ω/ohms

Pre-amplificateur

Sensibilité d'entrée / impédance d'entrée:	PHONO (MM): 2,5 mV/32 kΩ/kohms CD, TUNER, DVD/AUX, TAPE-1, TAPE-2: 150 mV/33 kΩ/kohms MIC: 0,6 mV/4 Ω/kohms PHONO (MM): 20 Hz - 20 kHz ±0,5 dB
Variation RIAA:	PHONO (MM): 76 dB (Lorsque les bornes d'entrée sont court-circuitées, signal d'entrée 5 mV) CD, TUNER, DVD/AUX, TAPE-1, TAPE-2: 105 dB (bornes d'entrée court-circuitées) MIC: 60 dB BASS: 100 Hz ±8 dB TREBLE: 10 kHz ±8 dB 100 Hz +6 dB, 10 kHz +4 dB

Performance générale

Rapport signal / bruit (réseau A):	PHONO (MM): 76 dB (Lorsque les bornes d'entrée sont court-circuitées, signal d'entrée 5 mV) CD, TUNER, DVD/AUX, TAPE-1, TAPE-2: 105 dB (bornes d'entrée court-circuitées) MIC: 60 dB BASS: 100 Hz ±8 dB TREBLE: 10 kHz ±8 dB 100 Hz +6 dB, 10 kHz +4 dB
Contrôle de la tonalité:	
CONTOUR:	

Généralités

Prises :	1 prise non commute et 2 prises non commutées, capacité totale de 120 W (1 A)
Alimentation:	CA 120 V, 60 Hz
Consommation:	300 W (IEC)
Dimensions:	483 (L) x 140 (H) x 372 (P) mm (19"X5-1/2"X14-21/32") (y compris les parties saillantes)
Poids:	10,3 Kg (22 lbs 11,3 oz)
Température de fonctionnement:	5°C à 35°C (41°F à 95°F)
Température de conservation:	-20°C à 60°C (4°F à 140°F)

Telecommande (RC-1101)

Type de télécommande:	Impulsion à infrarouge
Alimentation:	R03/AAA Type (2 piles)
Dimensions extérieures:	50 (L) x 200 (H) x 27 (P) mm
Poids:	128 g (Env. 4,5 oz) (avec les piles)

* Les spécifications et les fonctions sont sujettes à modification sans préavis dans un but d'amélioration.

Primeros pasos

Gracias por haber elegido el amplificador pre-principal DENON PROFESSIONAL DN-A300M. Este magnífico componente ha sido diseñado para ofrecer un sonido extraordinario, además de proporcionar una reproducción de alta fidelidad excelente de sus equipos de música preferidos.

Debido a que este producto viene equipado con una inmensa variedad de funciones, le recomendamos que antes de empezar a conectar y utilizar el equipo lea el contenido de este manual antes de continuar.

Contenidos

Primeros pasos

Accesorios	1
Precauciones en la instalación	1
Precauciones al utilizar teléfonos móviles	1
Antes de utilizar el aparato	1
Acerca del mando a distancia	1
Colocación de las pilas	2
Ámbito de actuación del unidad de control remoto	2
Nombres y funciones de las piezas	
Panel frontal	2, 3
Panel trasero	3
Unidad de control remoto	3

Conexiones

Montaje del equipo sobre el anaquel	4
Conexión del equipo de audio	4
Indicaciones del cable	4
Conexión de los altavoces	4
Conexión de reproductores y altavoces	5
Conexión de grabadoras	5
Conexión del cable de alimentación	5

Operación

Preparativos previos a su funcionamiento	6
Cómo iniciar la reproducción	6
Cómo utilizar el micrófono	6
Cómo comenzar a grabar	6

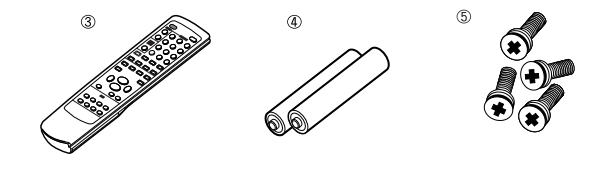
Antes de solicitar reparaciones	7
---------------------------------------	---

Especificaciones	7
------------------------	---

Accesorios

Compruebe que la unidad principal va acompañada de las piezas siguientes:

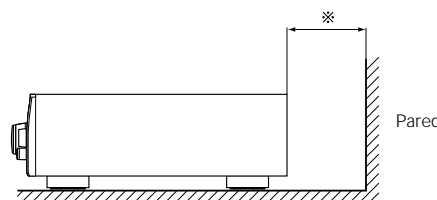
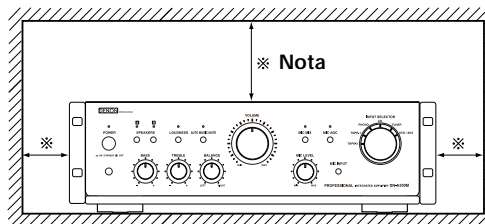
① Instrucciones de funcionamiento	1
② Lista de servicios técnicos	1
③ Mando a distancia (RC-1101)	1
④ Pilas (R03/AAA)	2
⑤ Tornillos de montaje	4



Precauciones en la instalación

Nota:

Para la dispersión del calor, no instale este equipo en un lugar confinado tal como una librería o unidad similar.



Precauciones al utilizar teléfonos móviles

Si se utiliza un teléfono móvil cerca de esta unidad puede que se produzcan ruidos. En tal caso, mueva el teléfono móvil lejos de esta unidad cuando esté en funcionamiento.

Antes de utilizar el aparato

Antes de usar este equipo preste atención a las siguientes indicaciones:

• Mover el equipo

Para evitar cortocircuitos o daños en los cables de conexión, cuando quiera mover el equipo, antes de hacerlo desenchufe siempre el cable de la fuente de alimentación y desconecte los cables de conexión entre todos los demás componentes de audio.

• Antes de encender el interruptor de alimentación

Compruebe de nuevo que todas las conexiones están correctamente hechas y que los cables no presentan problemas. Sitúe siempre el interruptor de alimentación en la posición de espera antes de conectar o desconectar los cables de conexión.

• Almacenar las instrucciones de operación en un lugar seguro.

Después de leer las instrucciones de operación, almacenarlas en un lugar seguro para que estén disponibles en cualquier momento.

• Siempre que el interruptor de alimentación esté en estado de STANDBY, el aparato estará todavía conectado a la línea de tensión CA.

Asegúrese de apagar el interruptor de alimentación o desenchufar el cable cuando se vaya de casa; por ejemplo, de vacaciones.

• Se advierte que las ilustraciones que figuran en estas instrucciones pueden diferir de las del equipo real por motivos de explicación.

Acerca del mando a distancia

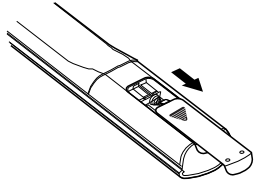
El mando a distancia incluido se puede utilizar para controlar los reproductores de CD DENON PROFESSIONAL, platinas y sintonizadores.

* Algunos productos puede que no sean operables.

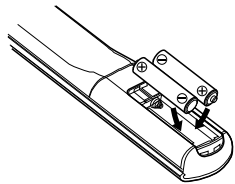
Primeros pasos

Colocación de las pilas

① Quite la cubierta trasera del mando a distancia.



② Coloque dos pilas R03/AAA en el compartimento de las pilas en la dirección indicada.



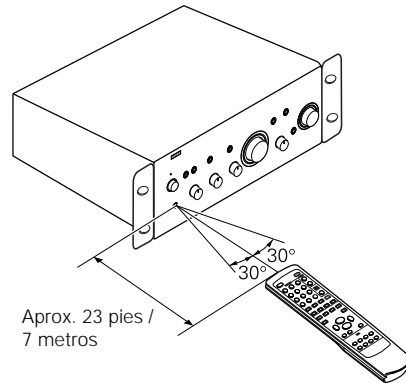
③ Coloque nuevamente la cubierta trasera.

Notas sobre las pilas:

- Cambie las pilas por pilas nuevas si la unidad no funciona correctamente ni siquiera cuando el mando se utiliza cerca del equipo. (La pila suministrada es solo para verificar el funcionamiento.)
- Cuando introduzca las baterías, compruebe que quedan en la dirección correcta, siguiendo las marcas "⊕" y "⊖" que hay en el compartimento de las pilas.
- Para evitar daños o fugas del líquido de las pilas:
 - No utilice baterías nuevas junto con otras viejas.
 - No utilice dos tipos distintos de pilas.
 - No cortocircuite, deshaga o caliente las pilas ni las tire al fuego.
- Si se produjera una fuga del líquido de las pilas, limpie bien el interior del compartimento de las pilas y coloque pilas nuevas.
- Retire las pilas del mando a distancia si no lo va a utilizar durante un largo periodo de tiempo.

Ámbito de actuación del unidad de control remoto

- Cuando utilice el mando a distancia apúntelo hacia el sensor remoto.
- La unidad de control remoto se puede utilizar desde una distancia de hasta 23 pies / 7 metros aproximadamente, a un ángulo horizontal de hasta 30°, con respecto al sensor.



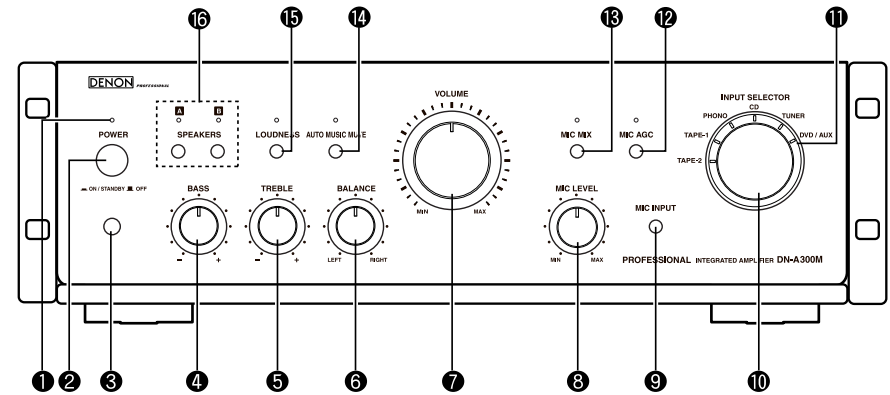
NOTA:

- Puede resultar difícil accionar el mando a distancia si el sensor remoto está expuesto a la luz solar directa o a una luz artificial muy fuerte.

Primeros pasos

Nombres y funciones de las piezas

Panel frontal



- ① **Indicador POWER**
- ② **Interruptor POWER**
(ON/STANDBY OFF)
- ③ **Sensor del control remoto**
- ④ **Botón de control BASS**
- ⑤ **Botón de control TREBLE**
- ⑥ **Botón de control BALANCE**
- ⑦ **Botón de control VOLUME**
- ⑧ **Botón de control MIC LEVEL**
- ⑨ **Conector MIC INPUT**
- ⑩ **Perilla INPUT SELECTOR**
Utilícelo para seleccionar la fuente que desee escuchar.
- ⑪ **Indicador de entrada**
La entrada del selector se muestra con un indicador naranja.
- ⑫ **Botón / indicador de AGC MICR (Control Automático de Ganancia)**
Ajuste el nivel para evitar bajar el sonido cuando el nivel de entrada del micrófono esté extremadamente alto.
- ⑬ **Botón / indicador del mezclador del micrófono (MIC MIX)**
Mezcla la entrada del micrófono con la entrada de la fuente y emite una señal.
- ⑭ **Botón / indicador AUTO MUSIC MUTE**
Use esta función para emitir una señal de entrada de la fuente ya que su nivel se atenúa con el botón MUSIC MUTE LEVEL sobre el panel trasero al mezclar la entrada del micrófono con la entrada de la fuente.
- ⑮ **Botón / indicador LOUDNESS**
Amplifica el sonido grave y agudo que es difícil de escuchar a un nivel de volumen bajo y logra un sonido más natural.
- ⑯ **Botón / indicadores SPEAKERS A/B**
Alterna los altavoces conectados a las terminales de salida de los mismos.

NOTA:

- Esta función se encuentra habilitada cuando se enciende el indicador MIC MIX.

Primeros pasos

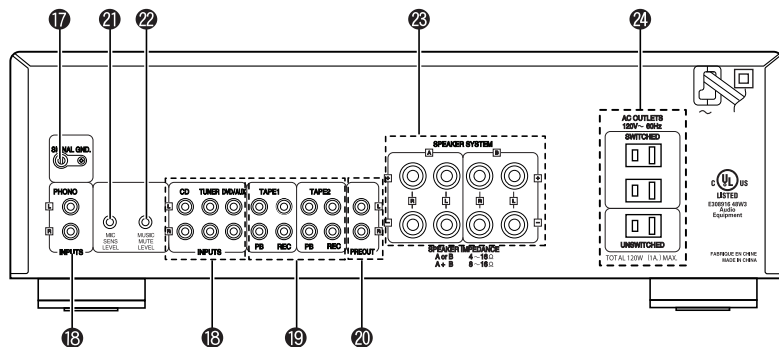


- Cuando se ajusta el botón de control **VOLUME** más allá de la posición "12 en punto" (a más de medio camino), se disminuyen los ajustes que pueden realizarse con los mandos **BASS** y **TREBLE**.
- Cuando se ajusta el botón de control **VOLUME** a máximo o se mueve por completo en el sentido de las agujas del reloj, las bajas y agudas no se pueden ajustar.

NOTA:

- Las funciones ③, ⑫, ⑭ y ⑮ únicamente se encuentran disponibles cuando la función MIC MIX ⑩ está encendida.

Panel trasero



17 Terminal SIGNAL GND (a tierra)
Conecte aquí el cable a tierra desde su plato giratorio.

NOTA:
• Esta terminal no es una conexión a tierra de seguridad.

18 Terminales INPUTS
Conecte aquí la fuente de su equipo.
19 Terminales de entrada/salida para grabación (TAPE-1 y TAPE-2)
Conecte aquí su equipo de grabación.

20 Terminales PRE OUT
Utilícelas para agregar equipos como un amplificador de potencia o un parlante para frecuencias graves.
21 Botón MIC SENSE LEVEL
Se puede ajustar la sensibilidad de entrada del micrófono.

Si gira a la izquierda la sensibilidad es baja. Si gira a la derecha la sensibilidad es alta.
22 Botón MUSIC MUTE LEVEL
Puede ajustar el nivel de atenuación de entrada de la fuente (-20dB ~ -0dB) cuando ligue la entrada de la mezcla con la entrada de la fuente.

23 Terminales SPEAKER SYSTEMS
Conecte aquí los altavoces.
24 AC OUTLETS
Utilícelos como tomas de energía eléctrica para otros dispositivos de audio. Compruebe los requisitos de potencia del equipo antes de utilizarlo (consulte las clasificaciones marcadas en el panel trasero). Si tiene dudas consulte con su reparador o el distribuidor de DENON PROFESSIONAL.



- Los enchufes en cortocircuito se instalan en las terminales de entrada PHONO. Quítelos cuando conecte un plato giratorio. Asegúrese de conservarlos para usos futuros.

NOTA:

- NUNCA inserte el enchufe de clavija en cortocircuito en las terminales de salida o PRE OUT de grabación. Esto puede provocar daños.

Primeros pasos

Unidad de control remoto

Botones de funcionamiento del amplificador

Botón SPEAKERS A/B
Esta función alterna los altavoces conectados a las terminales de los mismos.

Botón POWER
Esta función opera la energía de la unidad principal.

Botones del selector de entrada
Estos alternan la fuente de entrada.

Botón MUTE
Presiónelo para silenciar el sonido. El indicador de encendido de la unidad principal parpadea en color rojo. Presiónelo nuevamente para reproducir sonido.

Botón LOUDNESS
Este amplifica el sonido grave y agudo que es difícil de escuchar a un nivel bajo de volumen y logra un sonido más natural.

Botón de volumen +, -
Ajustan el volumen.

Botón MIC MIX
Mezcla la entrada del micrófono con la entrada de la fuente y emite una señal.

Botón MIC AGC
Ajusta el nivel para evitar que se corte el sonido.

Botón AUTO MUSIC MUTE
Emite una señal en la entrada de la fuente ya que su nivel se atenúa con el botón MUSIC MUTE LEVEL sobre el panel trasero.

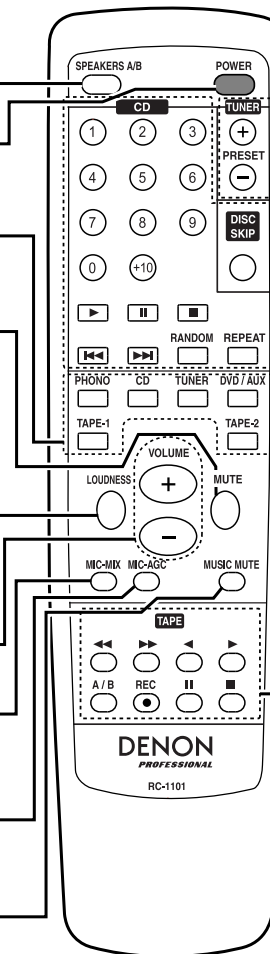
Botones de funcionamiento del producto DENON PROFESSIONAL

Conjunto de SINTONIZADOR
TUNER PRESET +, -
Estos cambian el canal preajustado.

Conjunto de reproductor de CD
0-9, +10 : Botones numéricos
DISC SKIP : Este botón selecciona el disco, cuando utilice el reproductor de CD multidisco DENON PROFESSIONAL.

▶ : Reproducción
|| : Pausa
■ : Parada
◀▶ : Búsqueda
RANDOM : Reproducción aleatoria
REPEAT : Reproducción repetida

Conjunto de platina
◀◀ : Rebobinado
▶▶ : Avance rápido
◀ : Reproducción inversa
▶ : Reproducción
A/B : Cambiar entre las platinas A y B para platinas dobles
REC : Grabación
|| : Pausa
■ : Parada



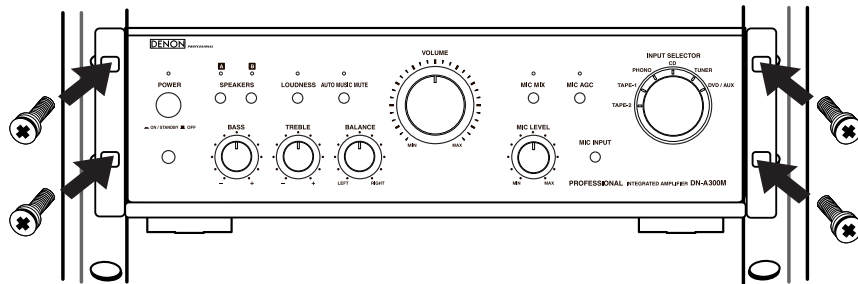
- El mando a distancia incluido se puede utilizar para hacer funcionar los reproductores de CD DENON PROFESSIONAL, platinas y sintonizadores.
- Al utilizarlo, consulte también las instrucciones de funcionamiento de los otros dispositivos.
- Algunos productos puede que no sean operables.

Conexiones

Montaje del equipo sobre el anaquel

Este equipo está adherido a los soportes (izquierdo, derecho e inferior) y se distribuye de fábrica. Puede montar el equipo sobre el anaquel utilizando estos soportes.

1. Instale el equipo en el anaquel.
2. Ajuste los cuatro tornillos provistos en los orificios de los soportes izquierdos y derechos del anaquel para fijar el equipo.



- Al montar los estantes de la unidad, deje suficiente espacio alrededor de la misma para permitir una ventilación normal. Esta separación debería ser de: 10 cm en los laterales, 15 cm en la parte posterior y 30cm en la parte superior.
- Quite la parte posterior de los estantes o genere un orificio de ventilación para permitir una ventilación normal durante el uso.
- Si la corriente de aire no es la adecuada, el interior de la unidad se recalentará y puede provocar un incendio.
- Esta unidad cuenta con orificios de ventilación en la parte superior, en la parte inferior y en la parte trasera para prevenir que la temperatura interna suba demasiado. No los obstruya. Si los orificios de ventilación se encuentran bloqueados se puede ocasionar un incendio.

Conexión del equipo de audio

NOTA:

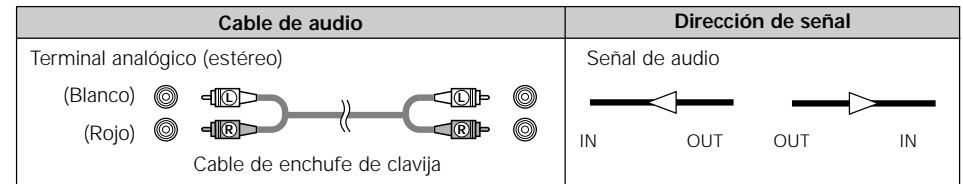
- No enchufe el cable de la fuente de alimentación hasta que se hayan hecho todas las conexiones.
- A la hora de realizar las conexiones, consulte también las instrucciones de funcionamiento de los otros componentes.
- Asegúrese de conectar correctamente los canales izquierdo y derecho (izquierdo con izquierdo, derecho con derecho).
- No ate los cables de alimentación junto con los cables de altavoz. De lo contrario, se podrían ocasionar zumbidos o ruido.
- No aumente el volumen cuando no esté conectado el tocadiscos a los terminales de entrada PHONO. De lo contrario se producirán zumbidos o ruidos. Cuando no se conecta un tocadiscos, deje el enchufe de clavija de cortocircuito enchufado.

Precauciones al reproducir fuentes SA

Cuando los altavoces normales no sean compatibles con las fuentes SA (discos DVD Audio, Super Audio CDs y otras fuentes incluyendo componentes agudos por encima del margen audible), ajuste las características del reproductor (reproductor de DVD Audio, reproductor de Super Audio CD, etc.) para uso con altavoces regulares (o amplificadores). Los altavoces podrían dañarse si se ajusta el volumen muy alto al reproducir fuentes SA. Para conocer las instrucciones de ajuste del reproductor, consulte las instrucciones de funcionamiento incluidas con el reproductor.

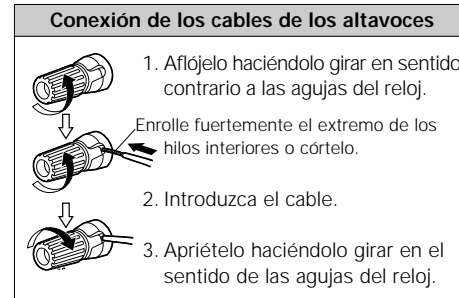
Indicaciones del cable

Los diagramas de la red de circuitos de las siguientes páginas implican el empleo de los siguientes cables de conexión opcionales (no incluidos).



Conexión de los altavoces

Conecte los terminales del altavoz en el altavoz, verificando que las polaridades coinciden (+ con + y - con -).



NOTA:

Al hacer las conexiones, cerciése de que de ninguno de los conductores individuales de los cables de los altavoces queden en contacto con los terminales contiguos, con los conductores de otros cables de altavoces ni con el panel trasero y los tornillos. NO TOQUE NUNCA los terminales del altavoz cuando la corriente eléctrica esté activada. Si lo hace podría recibir una descarga eléctrica.

Impedancia del altavoz

Utilice altavoces con impedancias entre los márgenes que se muestran a continuación según sus condiciones de utilización.

Altavoces utilizados	Impedance
Sólo A o B	4 ~ 16 Ω/ohmios
Ambos A y B	8 ~ 16 Ω/ohmios

Nota sobre la impedancia de los altavoces

Cuando se utilicen altavoces con un impedancia cuyo valor es inferior al valor señalado (por ejemplo 4Ω/ohmios), al utilizarlos durante periodos de tiempo prolongados con un volumen alto, podría ocasionar una elevación de la temperatura, activando de esta forma el circuito de protección.

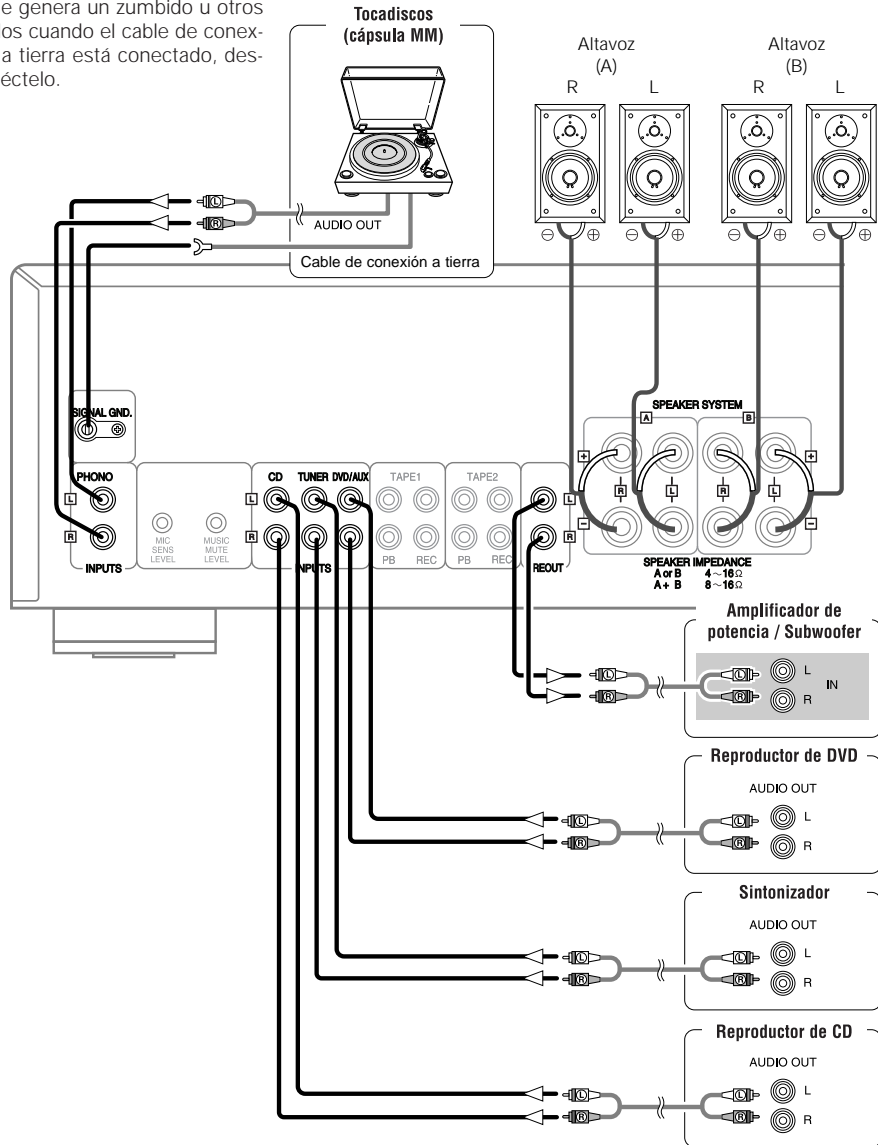
Cuando se activa el circuito de protección, se suspende la salida a los altavoces y el indicador de alimentación parpadea. Si esto sucede, desconecte el cable de alimentación, espere que el equipo se enfríe y mejore la ventilación al rededor del lugar de instalación del equipo. Verifique también la instalación de los cables de entrada y de los cables de altavoz. Después de esto, conecte nuevamente el cable de alimentación y encienda el equipo.

Si el circuito de protección se activara de nuevo aún cuando no detectara problemas en el cableado o en la ventilación del aparato, desconecte la alimentación eléctrica y póngase en contacto con el servicio técnico de DENON PROFESSIONAL.

Conexiones

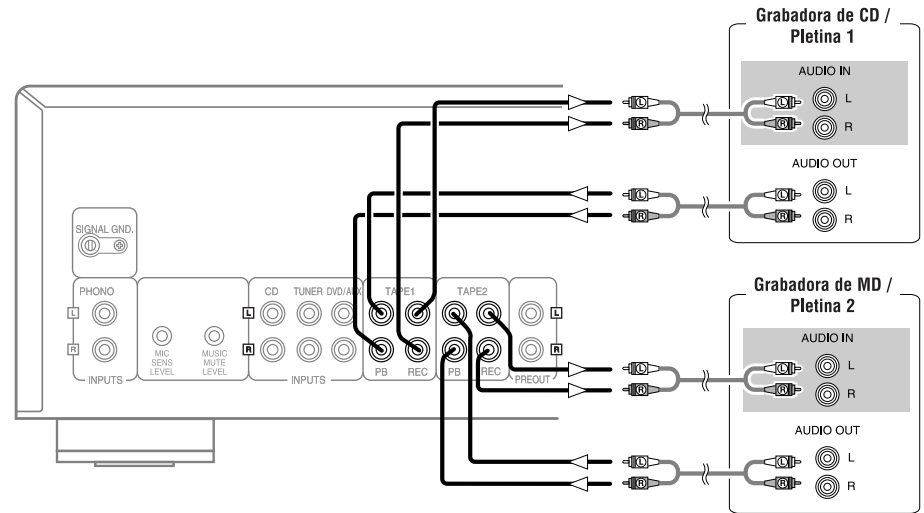
Conexión de reproductores y altavoces

- Se pueden utilizar con esta unidad sólo los tocadiscos equipados con un cartucho MM (Moving Magnet). Si tiene un cartucho MC (Moving Coil) necesitará utilizar un amplificador de imagen o un transformador elevador disponible en el comercio.
- Si se genera un zumbido u otros ruidos cuando el cable de conexión a tierra está conectado, desconéctelo.

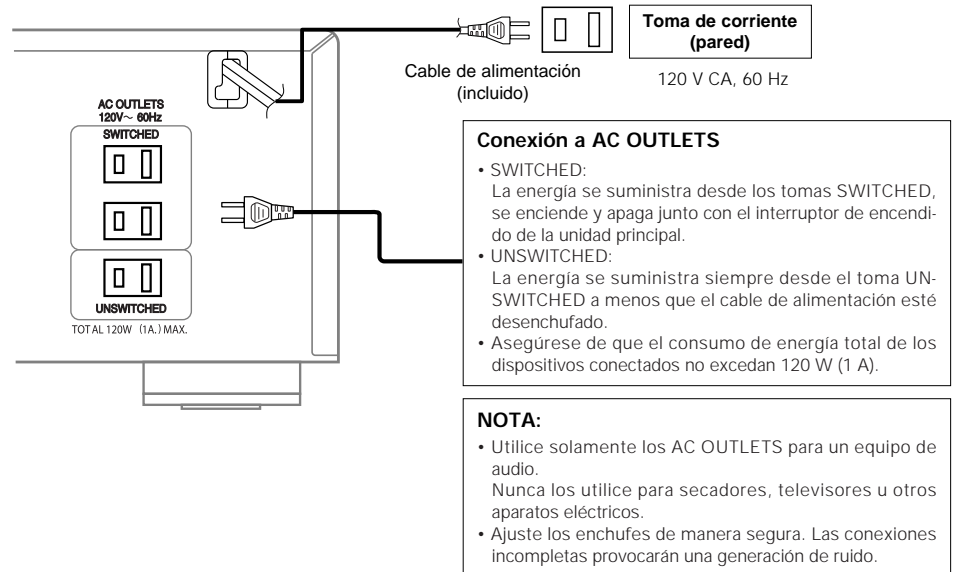


Conexiones

Conexión de grabadoras



Conexión del cable de alimentación



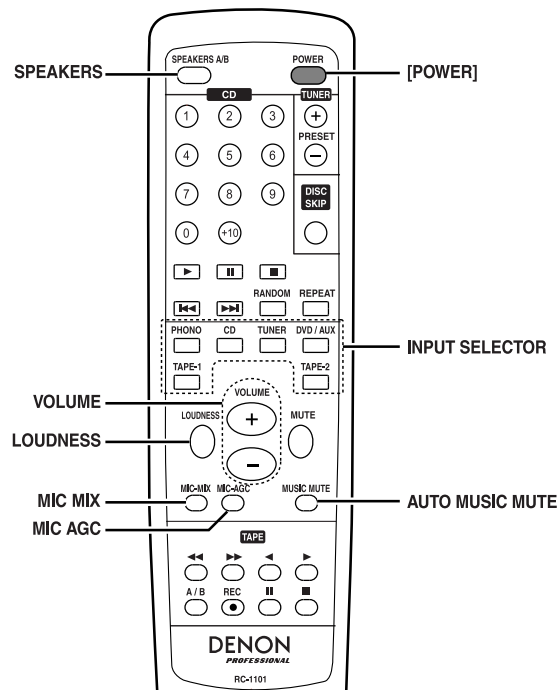
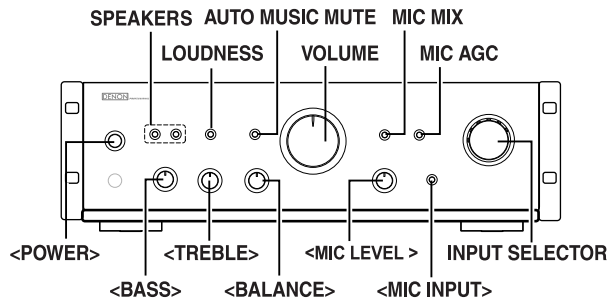
Conexión a AC OUTLETS

- **SWITCHED:** La energía se suministra desde los tomas SWITCHED, se enciende y apaga junto con el interruptor de encendido de la unidad principal.
- **UNSWITCHED:** La energía se suministra siempre desde el toma UNSWITCHED a menos que el cable de alimentación esté desenchufado.
- Asegúrese de que el consumo de energía total de los dispositivos conectados no excedan 120 W (1 A).

NOTA:

- Utilice solamente los AC OUTLETS para un equipo de audio. Nunca los utilice para secadores, televisores u otros aparatos eléctricos.
- Ajuste los enchufes de manera segura. Las conexiones incompletas provocarán una generación de ruido.

Operacion



Acerca de los nombres de los botones en esta explicación

< > : Botones de la unidad principal

[] : Botones del mando a distancia

Sólo el nombre del botón :

Botones de la unidad principal y del mando a distancia

Preparativos previos a su funcionamiento

- 1** Configure el volumen al mínimo utilizando **VOLUME** .
- 2** Configure <BASS>, <TREBLE> y <BALANCE> en la posición central.
- 3** Encienda presionando <POWER>.
 - El indicador de encendido parpadea en color rojo durante varios segundos, luego se ilumina en verde.

Cómo apagar el equipo

- ① Presione [POWER]
 - El indicador de encendido se ilumina en rojo y el encendido se configura en el modo de espera.
 - Cuando esté en el modo de espera, presione [POWER] para encenderlo.
- ② Presione <POWER>
 - El indicador de encendido se apaga y también la energía.

NOTA:

• Continúa el suministro de energía hacia algunos circuitos incluso cuando el encendido está en el modo de espera. Cuando salga de su casa durante largos periodos de tiempo o cuando viaje, presione <POWER> para apagarlo o desenchufe el cable de alimentación del toma de energía eléctrica.

Cómo iniciar la reproducción

- 1** Utilice **INPUT SELECTOR** para seleccionar la fuente que se reproducirá.
 - Seleccione una de las siguientes fuentes: TAPE-2, TAPE-1, PHONO, CD, TUNER y DVD/AUX.
 - El indicador de entrada para la fuente seleccionada se ilumina.
- 2** Reproduzca la fuente seleccionada.
- 3** Ajuste el volumen utilizando **VOLUME**.
- 4** Ajuste el tono con <BASS>, <TREBLE>, <BALANCE> y **LOUDNESS**.

Cómo utilizar el micrófono

- 1** Conecte el micrófono con un conector hembra de 1/4".
- 2** Configure el **MIC MIX** en "ON".
 - El indicador de MIC MIX se iluminará en color naranja, luego la entrada del micrófono se podrá mezclar con la entrada de la fuente.
- 3** Configure **AUTO MUSIC MUTE** y **MIC AGC** en "ON" o "OFF".
 - AUTO MUSIC MUTE puede configurar el nivel mudo. (Página 3)

- 4** Ajuste el nivel del micrófono utilizando <MIC LEVEL>.

- 5** Use el micrófono.

NOTA:

• Cuando no utilice el micrófono, desenchúfelo.
 • DN-A300M no tiene Phantom Power.
 • Se recomienda el uso de un micrófono con un interruptor de salida de voz. Caso contrario la fuente de música se puede silenciar ante el envío de una señal disparadora. Por favor apague el botón de AUTO MUSIC MUTE cuando no utilice un micrófono.

Cómo comenzar a grabar

- 1** Utilice **INPUT SELECTOR** para seleccionar la fuente (que no sea TAPE-1 o TAPE-2) para grabar.
 - Cuando selecciona PHONO, CD, TUNER o DVD/AUX, se puede grabar en TAPE-1, TAPE-2 o en ambas simultáneamente.
- 2** Configure el dispositivo conectado a la terminal de la TAPE-1 (o TAPE-2) en el modo de grabado.
- 3** Comience a reproducir la fuente para su grabación.

Antes de solicitar reparaciones

Compruebe lo siguiente antes de determinar que el equipo tiene algún problema

- ¿ Han sido correctamente efectuadas todas las conexiones ?
- ¿ Se está usando el equipo de acuerdo con lo descrito en el manual de instrucciones ?
- ¿ Están siendo debidamente operados los altavoces y demás componentes de entrada ?

Si le parece que el equipo no funciona en forma debida, compruebe los puntos que se describen a continuación. Si ninguna de las situaciones descritas es aplicable, probablemente el equipo tenga algún daño. En este caso, desconecte inmediatamente la alimentación y consulte en la tienda donde lo adquirió.

Sintomas	Causa	Medidas	Pagina
Cuando se activa la alimentación, el indicador de la alimentación no se ilumina y no se produce sonido.	<ul style="list-style-type: none"> El enchufe del cable de la fuente de alimentación no se ha enchufado completamente. 	<ul style="list-style-type: none"> Asegúrese de que la unidad esté correctamente enchufada y activada en el enchufe de corriente. 	5
El indicador de la alimentación se ilumina pero no se produce sonido.	<ul style="list-style-type: none"> Los cables del altavoz no están completamente conectados. El dispositivo que desea escuchar no ha sido seleccionado. El mando del volumen está ajustado al mínimo. El cable de entrada no está completamente conectado. El botón selector del altavoz está ajustado a "OFF". 	<ul style="list-style-type: none"> Fije los cables. 	4, 5
		<ul style="list-style-type: none"> Asegúrese de seleccionar la entrada correcta. 	2, 6
		<ul style="list-style-type: none"> Ajuste a un nivel apropiado. Fije los cables. 	2, 6 5
		<ul style="list-style-type: none"> Asegúrese de que los botones SPEAKER A o B estén ajustados a "ON" adecuadamente. 	2, 6
El sonido sólo sale del altavoz izquierdo o derecho.	<ul style="list-style-type: none"> Los cables del altavoz no están completamente conectados. El cable de entrada no está completamente conectado. El balance izquierdo/derecho está desactivado. 	<ul style="list-style-type: none"> Fije los cables. 	4, 5
		<ul style="list-style-type: none"> Fije los cables. 	5
		<ul style="list-style-type: none"> Ajuste a un balance adecuado utilizando el botón de mando del balance. 	2
Para un sonido estéreo, las posiciones de los instrumentos se invierten izquierda/derecha.	<ul style="list-style-type: none"> Las conexiones de los altavoces o de los cables de entrada están invertidos. 	<ul style="list-style-type: none"> Compruebe las conexiones para asegurarse de que el izquierdo esté conectado al izquierdo, el derecho al derecho. 	4, 5
Se oyen zumbidos en la música al reproducir discos.	<ul style="list-style-type: none"> El cable de a tierra del reproductor no está conectado. Los cables no están completamente conectados a los terminales PHONO. Influencia de un TV o VCR cerca del reproductor. 	<ul style="list-style-type: none"> Fije los cables. 	3, 5
		<ul style="list-style-type: none"> Fije los cables. 	3, 5
		<ul style="list-style-type: none"> Trate de cambiar las posiciones en las que se encuentren instalados los dispositivos. 	-
Se producen aullidos junto con la música si el volumen es demasiado alto al reproducir discos.	<ul style="list-style-type: none"> El reproductor y los altavoces están demasiado juntos uno del otro. Las vibraciones desde los altavoces están siendo transmitidas al reproductor a través del suelo. 	<ul style="list-style-type: none"> Instale el reproductor y los altavoces lo mas lejos posible el uno del otro. Utilice cojines, etc., para absorber las vibraciones de los altavoces. 	- -
No se produce sonido en el micrófono.	<ul style="list-style-type: none"> El micrófono está conectado en forma incompleta. El control de volumen del micrófono está configurado en mínimo. El botón MIC MIX está configurado en "OFF". 	<ul style="list-style-type: none"> Enchúfelo correctamente. 	2, 6
		<ul style="list-style-type: none"> Configúrelo en el nivel apropiado. 	2, 6
		<ul style="list-style-type: none"> Configúrelo en "ON". 	2, 6
Se produce un corte cuando se utiliza el micrófono.	<ul style="list-style-type: none"> El botón MIC AGC está configurado en "OFF". 	<ul style="list-style-type: none"> Configúrelo en "ON". 	2, 6
El sonido está distorsionado al reproducir discos.	<ul style="list-style-type: none"> La presión de la aguja no es la adecuada. Hay suciedad en la punta de la aguja. El cartucho es defectuoso. 	<ul style="list-style-type: none"> Ajuste a una presión de aguja adecuada. Compruebe la punta de la aguja. Reemplace el cartucho. 	- - -

Especificaciones

Sección amplificadora de poder

Potencia nominal: 2-canales (CD → SP OUT)
70 W + 70 W (8 Ω/ohmios, 20 Hz - 20 kHz, T.H.D. 0,07%)
110 W + 110 W (4 Ω/ohmios, DIN, 1 kHz, T.H.D. 0,7%)
Distorsión de alta frecuencia: 0,01% (Salida nominal: -3 dB), 8 Ω/ohmios, 1 kHz
Terminales de salida: Altavoz A o B: 4 - 16 Ω/ohmios
A + B: 8 - 16 Ω/ohmios

Preamplificador

Sensibilidad de entrada/ Impedancia de entrada: PHONO (MM): 2,5 mV/32 kΩ/kohmios
CD, TUNER, DVD/AUX, TAPE-1, TAPE-2: 150 mV/33 kΩ/kohmios
MIC: 0,6 mV/4 kΩ/kohmios
PHONO (MM): 20 Hz - 20 kHz ±0,5 dB
Variación RIAA:

Funcionamiento general

Relación señal/ruido (red A): PHONO (MM): 76 dB
(Con terminales de entrada cortocircuitados, señal de entrada 5 mV)
CD, TUNER, DVD/AUX, TAPE-1, TAPE-2: 105 dB
(terminales de entrada cortocircuitados)
MIC: 60 dB
Control del tono: BASS: 100 Hz ±8 dB
TREBLE: 10 kHz ±8 dB
SONORIDAD: 100 Hz +6 dB, 10 kHz +4 dB

General

Toma de corriente: Tomas de corriente 1 no conmutado y 2 conmutado, capacidad total 120 W (1 A)
CA 120 V, 60 Hz
Suministro de la alimentación: 300 W (IEC)
Consumo de energía: 483 (ancho) x 140 (alto) x 372 (rof.) mm (19X5-1/2"X14-21/32") (incluyendo las partes salientes)
10,3 Kg (22 lbs 11,31 oz)
Peso neto: 5°C a 35°C (41°F a 95°F)
Temperatura de funcionamiento: -20°C a 60°C (4°F a 140°F)
Temperatura de almacenamiento:

Unidad de control remoto (RC-1101)

Tipo de mando a distancia: Impulso infrarrojo
Suministro de la alimentación: Tipo R03/AAA (2 pilas)
Dimensiones externas: 50 (ancho) x 200 (alto) x 27 (rof.) mm
Peso: 128 g (Aprox. 4,5 oz) (incluyendo las pilas)

* Para facilitar la introducción de mejoras, las especificaciones y funciones quedan sujetas a cambios sin previo aviso.

D&M Holdings Inc.

PROFESSIONAL BUSINESS COMPANY

TOKYO, JAPAN

<http://www.dm-pro.jp>