

**DENON**  
PROFESSIONAL

# DELTA 15 S

## 15-INCH 2400-WATT POWERED SUBWOOFER WITH WIRELESS CONNECTIVITY

For situations that demand the ultimate in speaker performance, Denon Professional proudly offers the Delta Series—a family of powered loudspeakers that delivers the very highest level of acoustic performance, essential for critical musical productions, dynamic AV playback and clear, articulate spoken presentations. The Delta Series was designed from a clean sheet of paper to exacting performance standards, using custom-developed, purpose-matched components.

The Delta 15 S powered subwoofer is designed to add the deep, solid bass foundation needed for convincing, lifelike music and multimedia presentations. It features an integral low-distortion Class D amplifier capable of 2400 watts peak (1200 watts continuous) output, a rugged 15-inch LF transducer, DSP-controlled custom crossovers, EQ contour switch and a computer-designed vented enclosure for optimum low-frequency response at high SPLs with minimal distortion. The 15 S has extremely flexible connection/control facilities for adapting to any usage condition. Plus, it utilizes dynamic thermal protection, to ensure crystal-clear sound reproduction at any volume level.

However, it's not the printed specifications or the number of inputs and outputs that qualifies the Delta 15 S as such an elite performer. It's the performance. The quality and depth of the bass is effortless, powerful and natural. There is no sense of strain or distortion. With lesser subwoofers, the listener can immediately hear the "reproduced" nature of the bass: the thin, lightweight character to the sound, the lack of 'weight' that should be more felt than heard. This is what betrays the sound of an inaccurate subwoofer.

When you hear the Delta 15 S as part of a full Delta sound system, it sounds like real life. The full frequency range is conveyed with absolute authority, providing convincing, realistic sound from any genre of music. Bass instruments are full and muscular. Vocals are distinct and precise, while horns are rich and energetic, their characteristic "sheen" perfectly preserved. Drums and percussion have great impact and impressive weight. Even today's complex, multi-layer music is reproduced with agility and nuance at any volume, from subtle indoor setting to full-volume outdoor concert.

Denon Professional recognizes that adaptability and connection flexibility are just as important to demanding professionals as outstanding sonic performance. Therefore, the Delta 15 S features a built-in mixer with multiple inputs and outputs. The cabinets are scratch-resistant, fronted with a powder-coated metal grille, perfect for anything from vocal reinforcement in a lecture hall to multimedia presentations in convention centers and any critical music assignment imaginable. Even their rubber feet are reinforced with steel. The Delta 15 S has a convenient 35mm insert so you can pole-mount a full-range speaker above the subwoofer, forming a space-saving subwoofer-satellite "stack." This degree of mounting flexibility is indicative of the thought that has gone into all aspects of the Delta Series' design, both from an acoustic and usability standpoint.

### LIVE DRIVE APP

Even if you can't physically reach the speakers, you can still adjust them with your iPad or iPhone with the Live Drive app. With our wireless technology, you can precisely tailor the performance parameters of your Delta Series loudspeakers remotely. Level-match, adjust EQ, delay-compensation and more—from virtually anywhere. It's streamlined, sound-shaping control at your fingertips, so you can easily adapt the Delta Series to new venues or performances, even if you're away from the mix position.



### FEATURES

- Unrivaled acoustic accuracy via advanced engineering and design
- 2400 watts peak Class D power (1200 watts continuous)
- 15-inch LF transducer delivers powerful sound
- Computer-designed vented enclosure for optimum bass response
- Works with free Live Drive app for wireless sound-shaping control
- Wirelessly level-match, EQ, delay-compensation, and more
- DSP-controlled, custom crossover and active thermal protection
- Built-in mixer, (2) Mic/Line inputs, volume control, XLR output
- Limit/Clip indicator with red LED
- EQ contour switch; Ground Lift switch
- Trapezoidal cabinet with custom-molded heavy-duty handle
- Flyable via (12) M10 rigging points
- Designed and tuned in the U.S.A.
- Industry-standard 35mm pole-mount socket

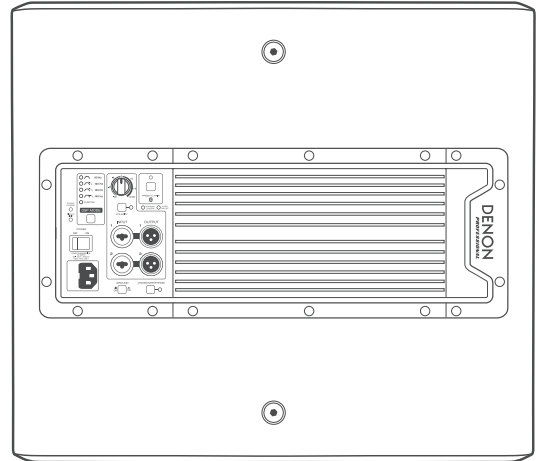
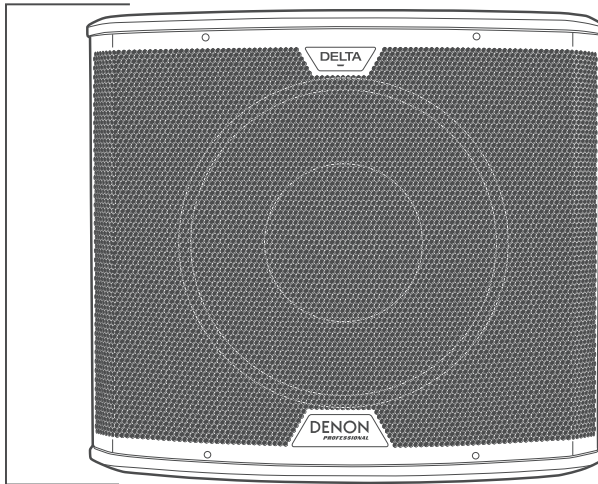
## SPECIFICATIONS

<p><b>SYSTEM CONFIGURATION:</b></p> <p><b>System Type:</b> 15-inch bass reflex, direct radiating, subwoofer</p>	<p><b>Power Connector:</b> Male IEC</p> <p><b>Current Requirement:</b> 6A per system @ 120 VAC. 3A per system @ 240 VAC</p> <p><b>AC Line Cord:</b> 9.8 ft. (3m) IEC female to regional AC male, 18 AWG.</p>
<p><b>ACOUSTIC PERFORMANCE:</b></p> <p><b>Frequency Range (-10dB):</b> 31Hz–160Hz</p> <p><b>Frequency Response (+/-3dB):</b> 33Hz–140Hz</p> <p><b>Maximum Peak SPL (Measured):</b> 132dB @ 1m</p>	<p><b>CONNECTORS AND CONTROLS:</b></p> <p><b>Input Connectors:</b> 2 x XLR/TRS combo connectors, balanced.</p> <p><b>Input Impedance:</b> 10 K<math>\Omega</math> balanced, 20 K<math>\Omega</math> unbalanced</p> <p><b>Input level Controls:</b> Rotary volume control to control subwoofer level</p> <p><b>Acoustic Polarity:</b> Positive voltage applied to XLR Pin 2 generates positive pressure from LF driver. Reversible via rear panel switch.</p> <p><b>Output Connector:</b> 2 x male XLR, with loop-through high-pass filter bypass filter bypass via by rear panel switch.</p> <p><b>Output Mix Control:</b> Switch to select output mix pre- or post- volume control</p> <p><b>Ground Switch:</b> Push-button to lift input signal input ground connection</p> <p><b>Bluetooth:</b> Momentary contact to initiate Bluetooth pairing mode</p> <p><b>DSP Mode Selection:</b> Momentary contact to cycle through DSP EQ modes</p> <p><b>DSP Modes Available:</b> 5 total: 80 Hz, 100 Hz, 120 Hz, 140 Hz, User</p> <p><b>DSP Wireless Control:</b> Live Drive™ iOS App over Bluetooth</p> <p><b>Grille Logo LED On/Off Control:</b> Recessed push-button switch</p> <p><b>Standby mode On/Off Control:</b> Recessed push-button switch</p> <p><b>LED Indicators:</b> Signal Present / Limit, Power / Standby</p> <p><b>Line Input Level Control Range:</b> <math>-\infty</math> to +10dB, detented at 0dB, +4dBu nominal input level, +10dBu input level for max output</p>
<p><b>POWER AMPLIFICATION:</b></p> <p><b>Peak Power:</b> 2400 watts</p> <p><b>Continuous Power:</b> 1200 watts</p> <p><b>Amplifier Topology:</b> Class D / Switching</p> <p><b>Amplifier Cooling:</b> Passive</p>	
<p><b>TRANSDUCER:</b></p> <p><b>LF Transducer:</b> 15-inch (381mm) ultra-high excursion cone transducer, 4-inch (101mm) voice coil, ferrite magnet</p>	
<p><b>DSP FUNCTIONALITY:</b></p> <p><b>System Control:</b> high-pass &amp; low-pass crossover filters, transducer EQ and time alignment, transducer excursion, thermal, and amplifier clip protection</p> <p><b>User Controls:</b> Rear panel selection of 5 DSP low-pass modes: (80 Hz, 100 Hz, 120 Hz, 140 Hz, User) Polarity reverse enable/disable XLR out high-pass filter bypass enable/disable</p>	
<p><b>WIRELESS CONTROL AND MONITORING:</b></p> <p><b>Wireless Type:</b> Bluetooth 2.0 + EDR. Class 2 RF</p> <p><b>Wireless Range (typical):</b> 82 ft. (25m) clear line-of-sight.</p> <p><b>Wireless Control App:</b> Live Drive™ (app by Alto Professional, available on the App Store)</p> <p><b>Simultaneous Devices Connectable:</b> 1 to 3 Delta series loudspeakers</p> <p><b>Compatible Wireless Devices:</b> iPhone 3GS and newer, iPad 2 and newer, iPod touch (4th generation) and newer</p> <p><b>iOS Version Requirements:</b> iOS 6.1 and newer</p> <p><b>Wireless Control Features:</b> Level Control (<math>-\infty</math> to + 10dB), Mute, Signal level metering (-70 to 0dB) DSP Low pass mode (80 Hz, 100 Hz, 120 Hz, 140 Hz, User) Rear Panel control lockout, Bass-Tilt EQ, Delay, Polarity, User low-pass filter, Monitoring (Limit, Peak, Fault)</p>	
<p><b>AC LINE POWER:</b></p> <p><b>Power Supply Design:</b> Fully regulated switching, with Power Factor Correction</p> <p><b>Input Voltage Nominal Range:</b> 100–240 VAC, 50/60 Hz</p> <p><b>Input Voltage Operating Range:</b> 90–264 VAC, 50/60 Hz</p> <p><b>Voltage Selection:</b> Automatic (self-regulating)</p>	<p><b>ENCLOSURE:</b></p> <p><b>Construction:</b> 15mm and 18mm premium plywood,</p> <p><b>Finish:</b> High-durability textured catalyzed polyurethane</p> <p><b>Mounting:</b> 12 x M10 female threaded screw sockets</p> <p><b>Handles:</b> 2 x ergonomic handles with aluminum cross-bar</p> <p><b>Stand mount:</b> 1 x 35mm female socket</p> <p><b>Grille:</b> 1.2mm-thick perforated steel, black powder-coat</p> <p><b>Operating Temperature:</b> -10°C to 40°C (14°F to 104°F)</p> <p><b>Dimensions (H x W x D)</b> 18.0" x 20.2" x 25.1" 458mm x 513mm x 638mm</p> <p><b>Net Weight:</b> 94.1 lbs (42.8 kg)</p>

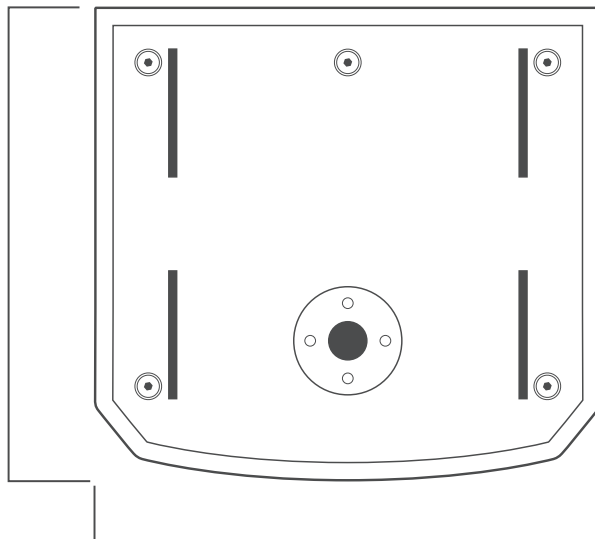
## PHYSICAL PROPERTIES

Height	18.0" (483mm)
Width	20.2" (513mm)
Depth	25.1" (638mm)
Net Weight	94.1 lbs (42.8 kg)

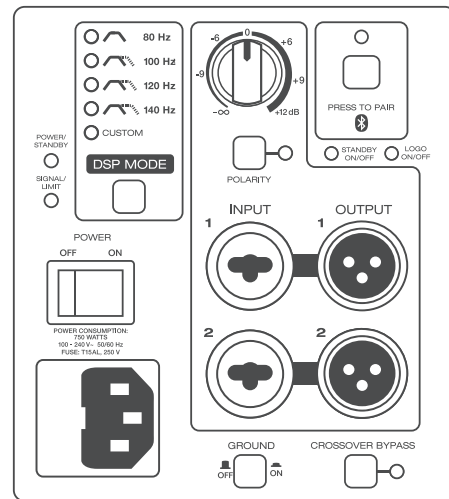
18.0"  
483mm



25.1"  
638mm



20.2"  
513mm



## FREQUENCY RESPONSE ON-AXIS

