

ALESIS
— D R U M S —

NITRO AMP



User Guide

v1.1

(1.0) Introduction

(1.1) Box Contents

Nitro Amp	External Power Supply (DC 18V, 2.0 A; center-positive)
Rack Mount Kit:	1/4" (6.35 mm) TRS Cable [5 ft. (1.5 m)]
<ul style="list-style-type: none"> • Rack Clamp • Threaded Nut • Rack Mount Arm 	Quickstart Guide Safety & Warranty Manual

(1.2) Support

For the latest information about this product (system requirements, compatibility information, etc.) and product registration, visit alesis.com.

For additional product support, visit support.alesis.com.

(2.0) Setup

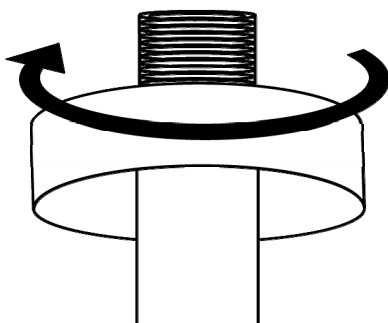
Items not listed in [\(1.1\) Box Contents](#) are sold separately.

1. Attach the rack mount clamp to your electronic drum rack.

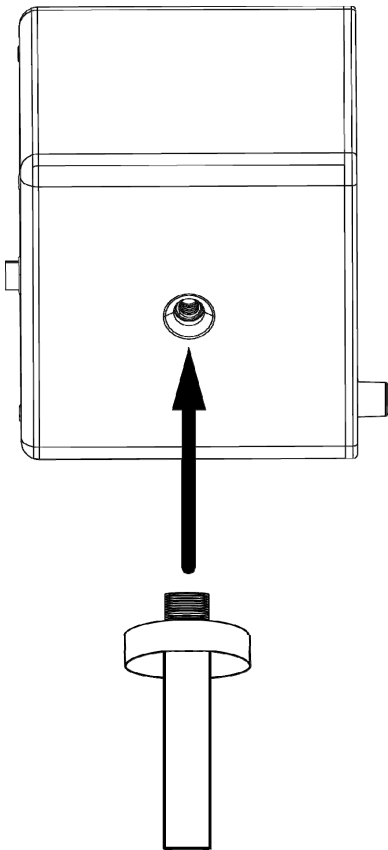
For best results, we recommend installing in the middle of the center crossbar so the speaker is pointed directly at you as you play.



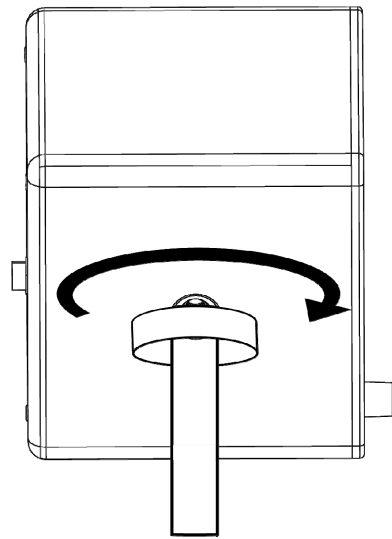
2. Add the threaded nut to the threaded end of the rack mount arm.



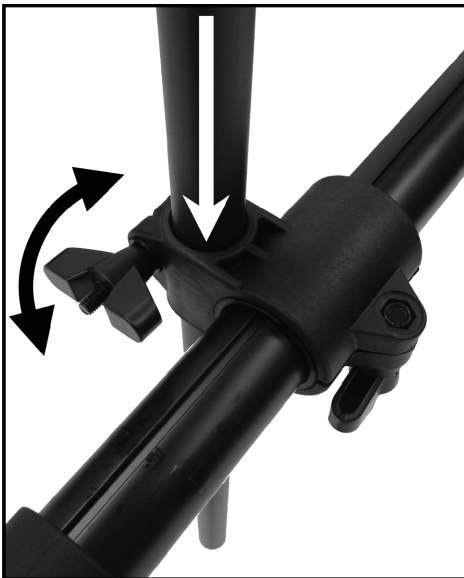
3. Place Nitro Amp so that the hole at the bottom of the speaker is in line with the threads at the top of the rack mount arm.



4. Gently screw in Nitro Amp onto the rack mount arm until it is secure. Do not over tighten.

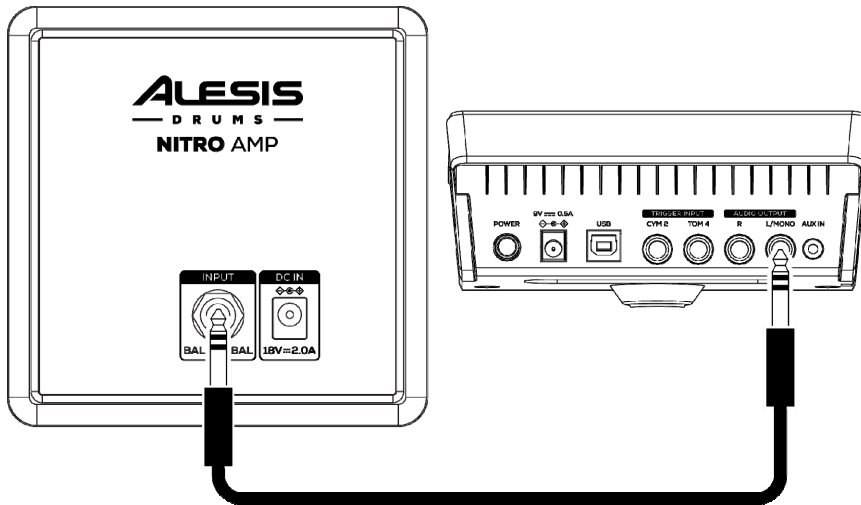


5. Insert the rack mount arm into the rack mount clamp and tighten to secure.

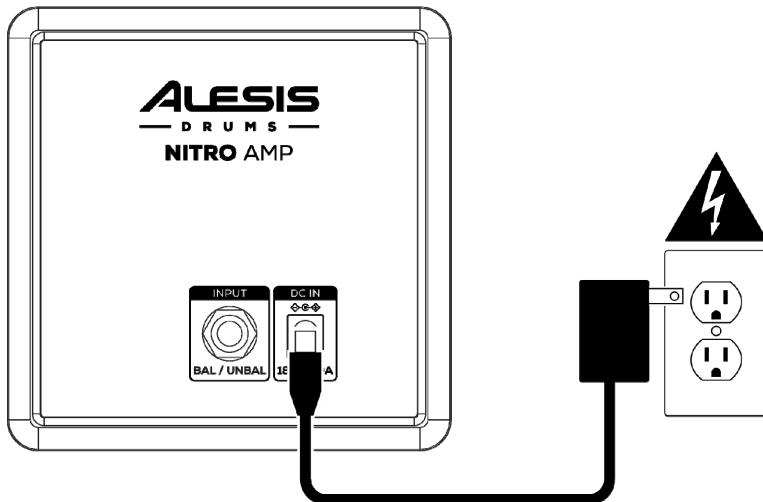


- Use the included TRS cable to connect the output of your electronic drum module to the **INPUT** on the back of Nitro Amp.

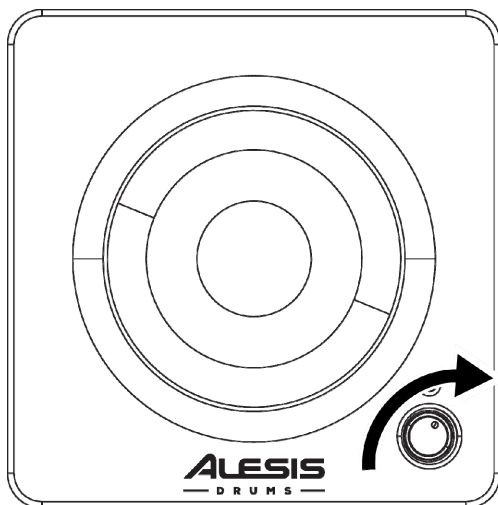
Connect to the output labeled **MONO** where applicable.



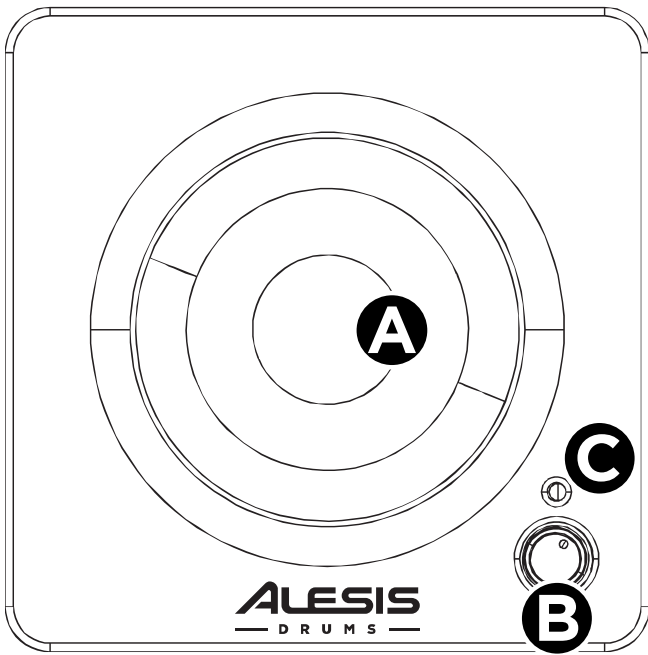
- Use the included external power supply to connect Nitro Amp to a power outlet.



- Turn the **VOLUME / POWER KNOB** to power on Nitro Amp and adjust the volume to your liking.



(3.0) Features



(3.1) Front Panel

A. Speaker

Point the speaker toward you to monitor sound from a connected electronic drum module or other sound source.

B. Volume/Power Knob

This knob is used to turn the speaker on and adjust its volume.

To turn on, simply turn up the knob from its minimum position. You will feel a click and the **POWER LED** will illuminate.

While powered on, rotate the knob to increase and decrease the volume.

To turn off, simply turn the volume all the way down until you feel the click and the **POWER LED** turns off.

C. Power LED

This LED will be lit when the speaker is powered on.

(3.2) Rear Panel

D. Input (Bal/Unbal)

Connect this input to the output of your electronic drum module or other sound source using the included 1/4" (6.35 mm) TRS cable. This input can accept balanced (TRS) or unbalanced (TS) audio inputs.

E. Power Input

Insert the included external power supply here and connect it to a power outlet to power Nitro Amp. Use the **VOLUME/POWER KNOB** to turn the speaker on and off.

(4.0) Appendix

(4.1) Technical Specifications

Speaker	3" full-range composite driver
Output Power	70 W (peak)
Max SPL	98 dB
Frequency Response	120 Hz - 18 kHz
Input	1/4" (6.35 mm) TRS balanced/unbalanced
Power	DC 18V, 2.0 A; center-positive
Rack Clamps	Large Rack Clamp for Ø37.5 mm Nitro Pro Tube Small Rack Clamp for Ø28.0 mm Nitro Max Tube
Dimensions <small>(height x width x depth)</small>	4.5" x 4.5" x 4.3" 11.4 x 11.4 x 10.9 cm
Weight	3.3 lbs. 1.5 kg

Specifications are subject to change without notice.

(4.2) Trademarks & Licenses

Alesis is a trademark of inMusic Brands, Inc., registered in the U.S. and other countries.

All other product names, company names, trademarks, or trade names are those of their respective owners.

alesis.com