

ArKaos Kling-Net Mapper

Quickstart

This is a Quickstart document, for detailed technical information please check the Documentation PDF file that installs with the software.

Table of content

Introduction	2
Installation process	2
Hardware setup	2
Software setup	3
Create a mapping	4

Introduction

Kling-Net is a protocol designed to simplify the setup and operation of display devices such as LEDs or LED panels. Those LED panels being connected to a computer through a standard Ethernet network.

This Quickstart Guide explains how to quickly setup MediaMaster and Kling-Net Mapper to connect led devices using the Kling-Net protocol.

For more technical details, please read the Documentation PDF file.

Installation process

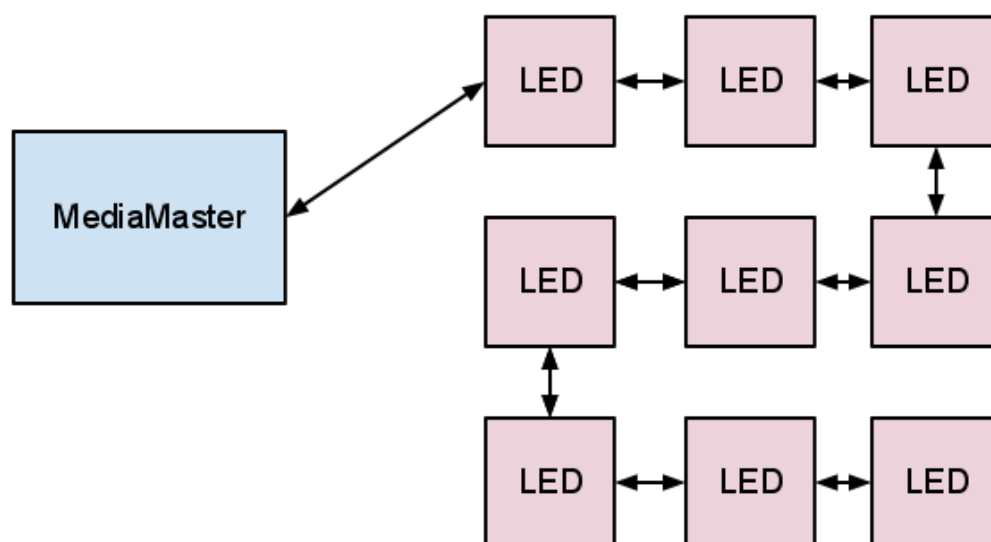
The **Kling-Net Mapper** application is automatically installed with MediaMaster.

Note:

MediaMaster must be registered with a valid serial number in order to use the **Kling-Net Mapper** application.

Hardware setup

You can simply connect the devices through Ethernet directly to your Kling-Net server (running MediaMaster or Kling-Net Mapper):



Note:

Your network card should be Gigabit Ethernet compatible (1000 Mbps)
If you use a 100 Mbps network Kling-Net will run fine but will be limited in the number of device that can be used.

The server address should be in the range of local IP addresses:

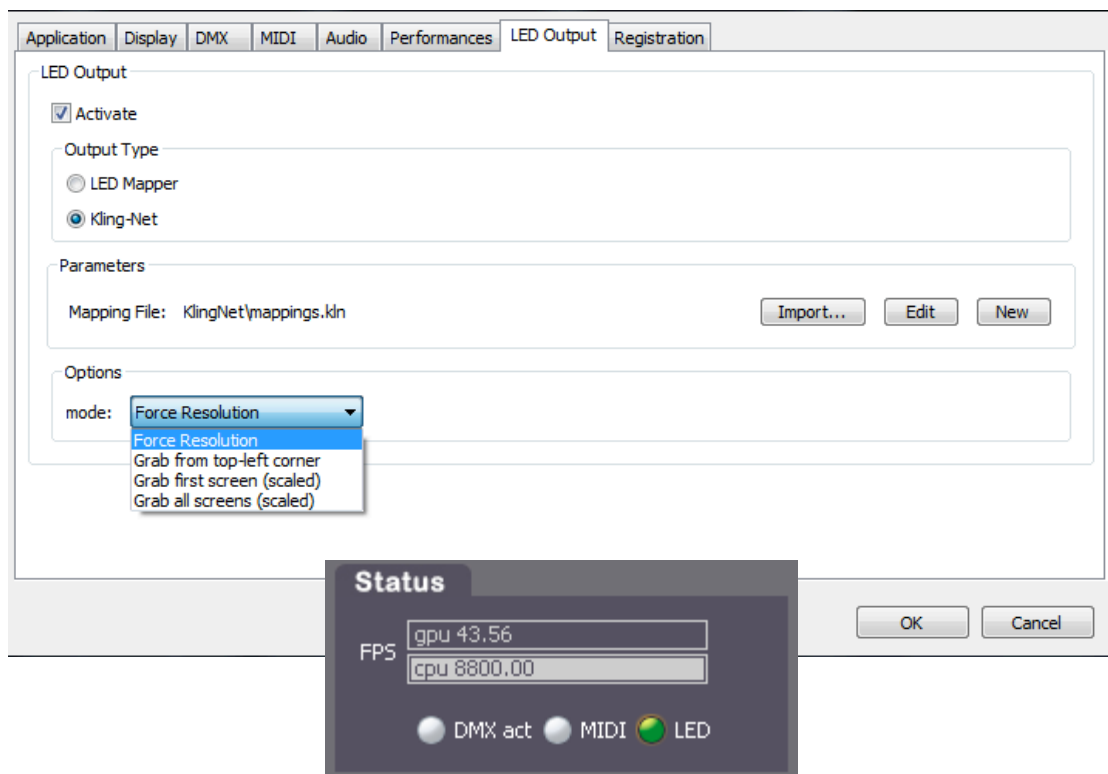
- 2.0.0.0 – 2.255.255.255
- 10.0.0.0 – 10.255.255.255
- 172.16.0.0 – 172.31.255.255
- 192.168.0.0 – 192.168.255.255

Note:

Kling-Net will attribute an IP address to the LED devices when they power up. If you change the IP address of the server you must power down/up the LEDs and restart MediaMaster.

Software setup

- launch **MediaMaster**
 - check the box “Activate” in the tab “Led Output” of the Preferences menu of **MediaMaster**. Choose “Kling-Net” as “Output Type”.
 - launch **Kling-Net Mapper**. You can launch the application directly or click on the “new” button in the “Led Output” in the preference menu of **MediaMaster**.
 - select “test pattern” as output in the tool bar of **Kling-Net Mapper**.
 - create a **Kling-Net** mapping using the **Kling-Net Mapper** (see below).
 - send your mapping to **MediaMaster** using the “Send” button (first button in the tool bar of **Kling-Net Mapper**)
 - select “MediaMaster” as output in the tool bar of **Kling-Net Mapper**.
- close Preferences dialog by clicking OK. The LED icon should turn green in MediaMaster main window.

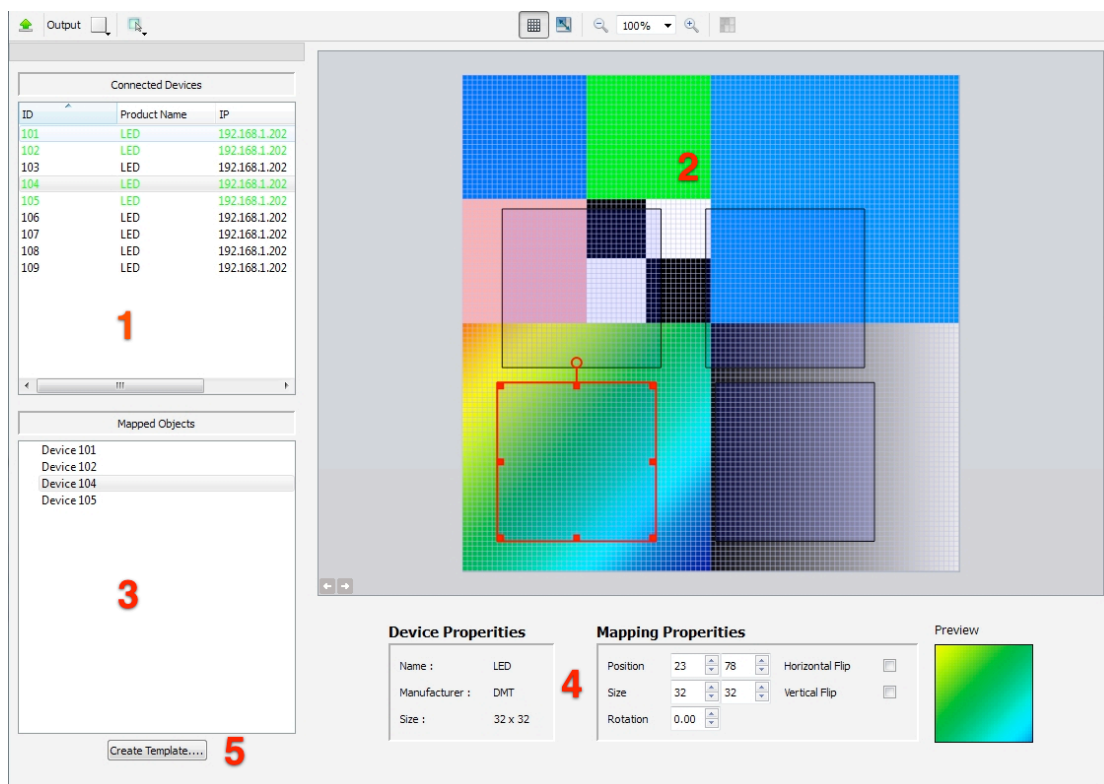


- still in the tab “Led Output” of the Preferences menu of **MediaMaster**, chose the desired output mode:
 - “Force Resolution”: forces the engine output resolution to the canvas resolution of the Kling-Net mapping file.
 - “Grab from top-left corner”: sends the number of pixels required by the mapping file by grabbing pixels starting from the top-left corner of the rendering.
 - “Grab first screen (scaled)”: uses the span setting located in the “Display” preferences tab to scale and send the content of the top-left screen to the LED output module.
 - “Grab all screens (scaled)”: will scale and send the entire rendering area to the LED output module

Create a mapping

Kling-Net Mapper is the application where you define areas of the video output of MediaMaster that will be sent to the led panels.

Here is an overview of the features you will use to make a basic mapping:



- The detected devices appear in the left panel (1). If a connection problem occurs, the device will appear in red.
- To map a LED device, simply drag and drop it to the graphic editor in the middle of the screen (2). The names of mapped devices are written in green. The mapped devices also appear in the “Mapped Devices” list (3).

- Edition of the mapping can be done in the object inspector (4) or directly in the graphic editor. You can edit the position, the size, the rotation and the flip of the mapping.
- The templates are the easiest way to map several devices of the same size in a grid. To create a template click on the “Create Template” button below the device list (5). A dialog appears. Chose the size of the devices you want to map, the size of the template and press ”OK”. To map devices on the template, double click on it to activate the map mode. When the map mode is activated, everything is frozen in the graphical editor, you can just drag and drop devices on the template. When the mapping is finished, double click out of the template.
- Once the mapping is done, you can test it with the screen-grabber. To activate it, click on the output icon in the toolbar (the first one on the left), and select “screen-grabber” in the drop down menu. A red rectangle will appear, representing the background images that will be sent to the devices. The rectangle has the same resolution as the canvas size. You can drag it to choose the capture zone on your screen.

The Documentation PDF installed with the application will give you more details about the product. If you have any request regarding ArKaos LED Mapper, don't hesitate to contact our support team: support@arkaos.net.

The information in this document is subject to change without notice and does not represent a commitment on the part of ArKaos S.A. No part of this publication may be copied, reproduced or otherwise transmitted or recorded, for any purpose, without prior written permission by ArKaos S.A.

All product and company names are [™] or © trademarks of their respective owners.

© ArKaos S.A. 2011. All rights reserved.

arKaos
www.arkaos.net