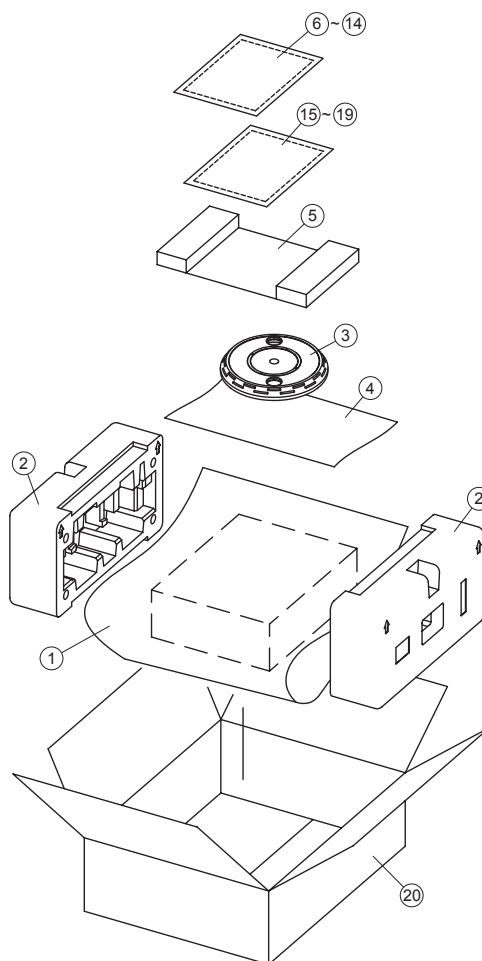


PACKING VIEW



PARTS LIST OF PACKING & ACCESSORIES

* 本表に記載されている部品は、補修用部品のため製品に使用している部品とは一部、形状、寸法などが異なる場合があります。

* The parts listed below are for maintenance only, might differ from the parts used in the unit in appearances or dimensions.

* "nsp" 印の部品は常時在庫していませんので供給に長時間を要することがあります。場合によっては、供給をお断りする場合があります。

* Part indicated with the mark "nsp" are not always in stock and possibly to take a long period of time for supplying, or in some case supplying of part may be refused.

Note: The symbols in the column "Remarks" indicate the following destinations.

E3: U.S.A. & Canada model

E2: Europe model

JP: Japan model

| Ref. No. | nsp | Part No. | Part Name | Remarks | Q'ty | New |
|----------|-----|------------------|----------------------|---------|------|-----|
| 1 | nsp | 00D 505 0350 019 | STYLEN PAPER | | 1 | |
| 2 | nsp | 00D 503 1518 100 | CUSHION | | 2 | |
| 3 | | 00D GEN 6997 -1 | PLATTER SUB ASSY | | 1 | |
| 4 | nsp | 00D 505 0350 035 | STYLEN PAPER | | 1 | |
| 5 | nsp | 00D 502 1116 004 | PAD | | 1 | |
| 6 | | 00D 421 0834 004 | SCRATCH DISC | | 1 | |
| 7 | | 00D 421 0835 003 | SLIP MAT | | 1 | |
| 8 | nsp | 00D 505 0038 030 | POLY COVER | | 1 | |
| 9 | nsp | 00D 502 1117 003 | PROTECTOR | | 1 | |
| 10 | nsp | 00D 505 8006 006 | ENVELOPE | | 1 | |
| 11 | | 00D 421 0833 005 | C CLAMP ADAPTOR | | 2 | |
| 12 | | 00D 421 0841 000 | VINYL ADAPTOR | | 1 | |
| 13 | | 00D 421 0842 009 | VINYL FIX PLATE | | 1 | |
| 14 | | 00D 473 7507 021 | 2X4 CBTS-(P)-B | | 3 | |
| 15 | nsp | 00D 505 0038 030 | POLY COVER | | 1 | |
| 16 | | 00D 511 4387 009 | INST MANUAL | | 1 | |
| 17 | | 00D 203 2360 004 | 2P PIN CORD | | 1 | |
| 18 | nsp | 00D 515 0966 109 | WARRANTY(COM.1Y) | for E3 | 1 | |
| 19 | nsp | 00D 515 0923 304 | S.S.LIST COM.(EX) | | 1 | |
| 20 | nsp | 00D 501 2260 037 | CARTON CASE | | 1 | |
| ★ 21 | | - | CONT.CARD(L)SUB ASSY | | 1 | |
| ★ 22 | | - | BAR CODE LABEL ASS'Y | | 1 | |