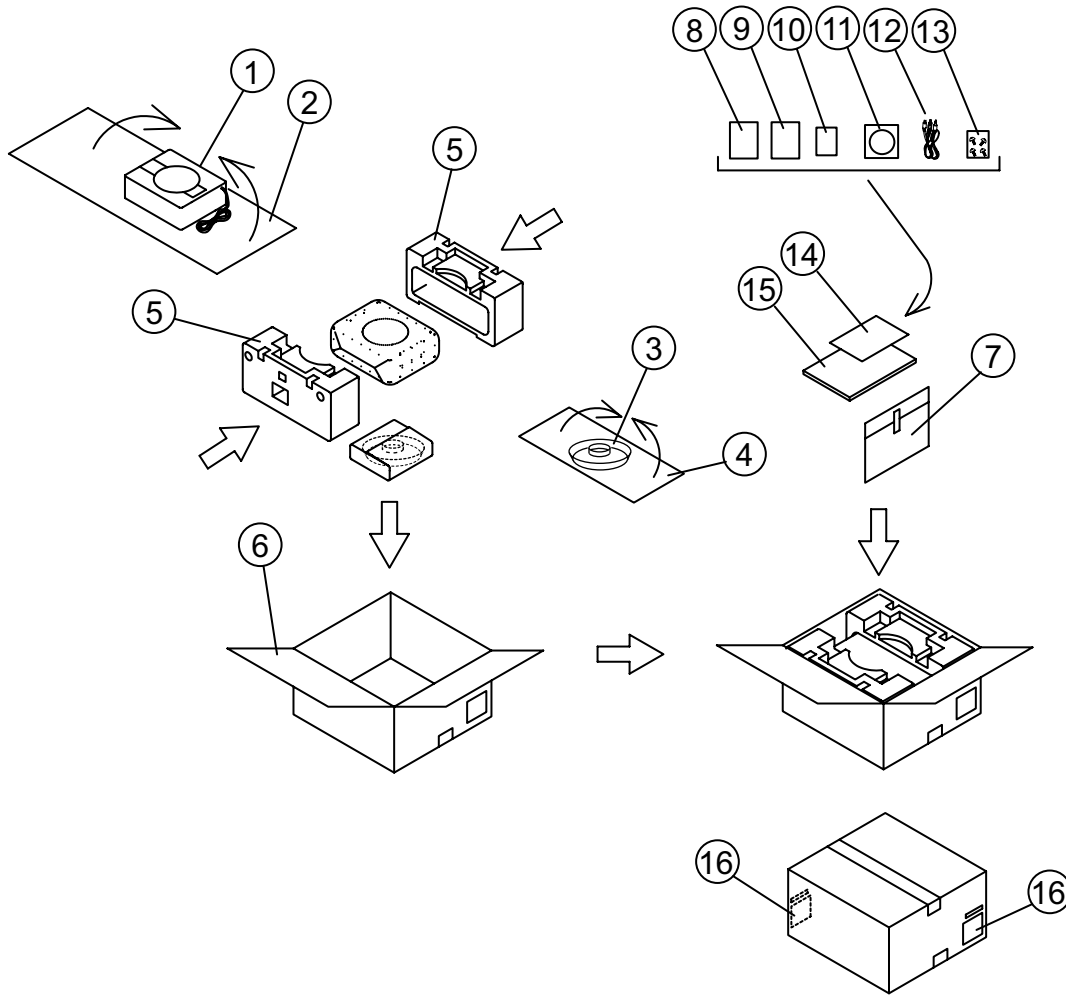


PACKING VIEW



PARTS LIST OF PACKING & ACCESSORIES

* Parts for which "nsp" is indicated on this table cannot be supplied.

* The parts listed below are for maintenance only, might differ from the parts used in the unit in appearances or dimensions.

Note: The symbols in the column "Remarks" indicate the following destinations.
 E3 : U.S.A. & Canada model E2 : Europe model

Ref. No.	Part No.	Part Name	Remarks	Q'ty	New
1	-	set			
2	nsp	CABINET COVER		1	*
3	nsp	TURN TABLE SUB ASSY		1	*
4	nsp	STYLEN PAPER		1	*
5	533610031109P	CUSHION		2	*
6	531210064008P	CARTON CASE		1	*
7	8P3561000300P	ANALOG DISC SUB ASSY		1	*
8	541110198008P	INST. MANUAL		1	*
9	nsp	S.S.LIST COM.(EX)		1	
10	nsp	WARRANTY(COM.1Y)	E3	1	
11	352010002001P	INST.MANUAL(CD-ROM)		1	*
12	00D2032442003	2P PIN CORD		1	
13	nsp	ENVELOPE SUB ASSY		1	*
14	nsp	VINYL BAG		1	
15	nsp	CARTON TRAY		1	*
16	nsp	SHIPPING SUB ASSY		2	*