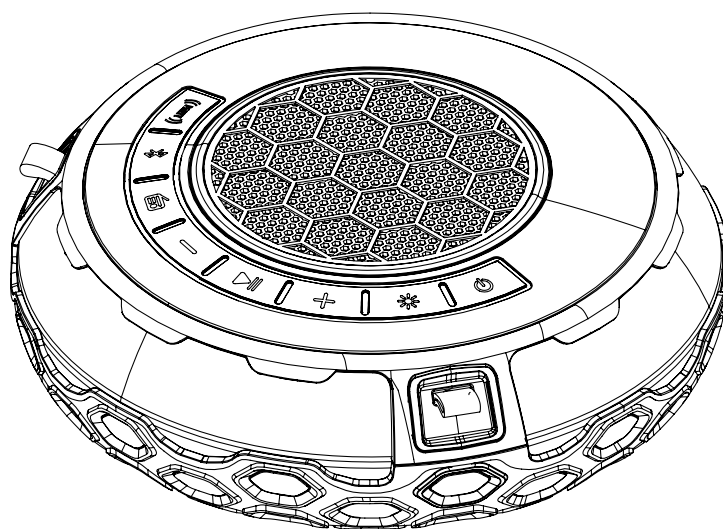


ION[®]

HYDROGROOVE



User Guide

English



ionaudio.com/support

TABLE OF CONTENTS

INTRODUCTION	3
Box Contents	3
Support	3
SETUP	4
Charging and Battery Information	4
Outdoor Use and Care	4
FEATURES	6
Top Panel	6
Rear Panel	8
OPERATION	9
Pairing a Bluetooth® Device	9
Party Mode	11
Light Modes	12
Using the Radio	14
App Control	16
TROUBLESHOOTING	17
APPENDIX	18
Technical Specifications	18
Trademarks & Licenses	18

INTRODUCTION

Thank you for purchasing the HydroGroove Speaker. At ION, your entertainment is as important to us as it is to you. That's why we design our products with one thing in mind—to make your life more fun and more convenient.

Note: Before you first use the product, please fully charge the batteries. Your unit was purposely shipped with a reduced battery charge to ensure safe transit. For optimal charging, power off the speaker while charging.

Use the included USB-C to USB-C® cable to connect the unit to a 5V, 2A power adapter (not included) connected to a power outlet and let it charge for up to 3 hours (depending on the specifications of your adapter). This helps ensure the longest life for your battery.

Box Contents

HydroGroove

USB-C® to USB-C® Cable (3.28 ft / 1 m)

Carabiner Clip

Quickstart Guide

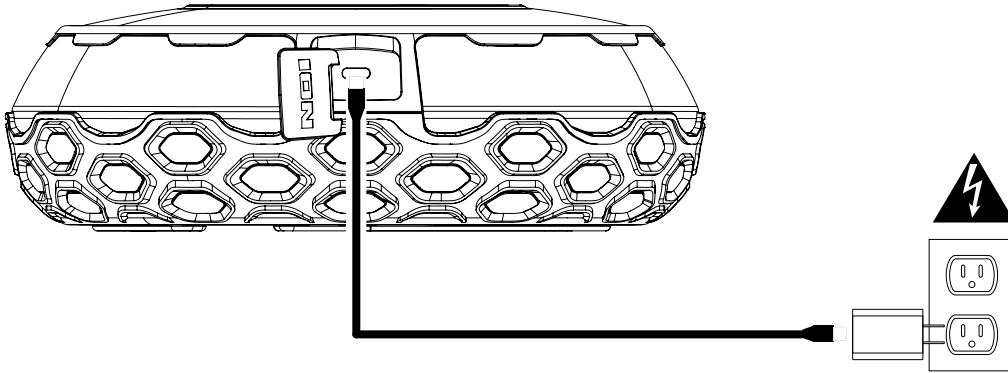
Support

For the latest information about this product (documentation, technical specifications, system requirements, compatibility information, etc.) and product registration, visit ionaudio.com.

For additional product support, visit ionaudio.com/support.

SETUP

Charging and Battery Information



For the quickest charging time, power off HydroGroove and use the included USB-C to USB-C® cable to connect the USB-C® charging port on the rear panel of the speaker to a USB power adapter (DC 5V 2A, not included) connected to a power outlet, or your computer (powered on). A full charge can take up to 3 hours, depending on the specifications of your 5V, 2A adapter. To hear a callout of the battery level (to the nearest 10%), press both - and + buttons.

When powered off and charging, the top light ring will be solid red. Once the speaker is fully charged, the top light ring will turn off.

When powered on and charging, the top light ring will be solid red and the bottom light ring will show the current light mode. Once the speaker is fully charged, the top light ring will change to the current light mode. If HydroGroove is in Bluetooth pairing mode, the Bluetooth pairing light will illuminate until Bluetooth is paired, at which point, the top light ring will follow the above charging behavior.

If no audio is played through HydroGroove for 15 minutes, the speaker will enter standby mode to conserve battery life. This may mean the Bluetooth signal is paused, or the volume is set to 0. To wake the unit, simply resume the audio signal or press any button.

If no audio is played through HydroGroove for 60 minutes, the speaker will automatically power off. Press the **Power** button to wake the unit up.

Here are some other recommendations for getting the longest life from the internal battery.

- General Usage** Fully charge the battery before using it.
- Avoid full discharge of the battery if possible. Li-Ion batteries are maintenance-free, and the battery will last longest when operating between 30 and 80 percent charged.
- Do not use the product while charging the battery.
- Do not charge the battery in exceedingly hot (greater than 90°F/32°C) or exceedingly cold (less than 32°F/0°C) temperatures.
- Storage** For best product longevity, do not store at exceedingly hot (greater than 90°F/32°C) or exceedingly cold (less than 32°F/0°C) temperatures.
- For best product longevity, store product with a 50% battery charge.
- If you leave the battery level low and do not charge it for 6 months, it may permanently lose capacity.
- Repair** If the battery fails to charge, contact ION Audio at ionaudio.com.
- Disposal** Bring the unit to a recycling center or dispose of in accordance with local ordinances.

Outdoor Use and Care

Please review the tips below to get the best performance from your HydroGroove:

- HydroGroove is IP67 waterproof, submersible up to 3 ft. (1 m) for 30 minutes, and dust-/dirt-/sand-proof.
- Ensure the I/O port cover is fully closed before submersing in water. If the speaker cavity fills with water, tilt the speaker to drain water.
- Please do not connect a power adapter to HydroGroove in a wet environment. Make sure the power input, power adapter, and power outlet are all completely dry before making any connections.

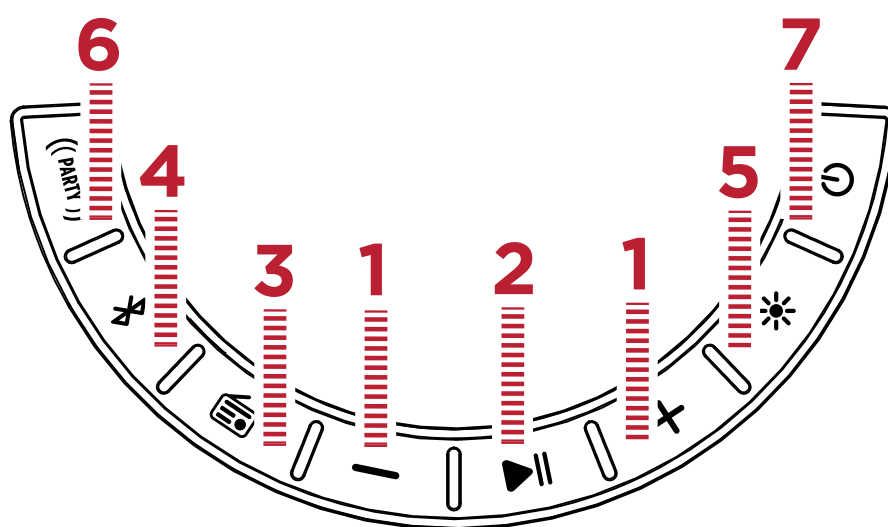
WARNING: Keep any non-water-resistant devices (phones, music players, etc.) in a dry place where they will not be affected by water and cause a risk of electric shock.

- If HydroGroove is exposed to saltwater, we recommend that you rinse it with tap water to maintain long term performance of your product.

FEATURES

Top Panel

Click a control below to jump to that section.



1. + / - Buttons

Press and release these buttons to raise or lower the volume in all playback modes.

In Bluetooth mode, press and hold the - or + button to go to the beginning of the current track or skip to the following track, respectively. Press the - button again within one second to skip to the previous track.

In radio mode, press and hold these buttons to seek the previous or next strong station.

To hear a callout of the battery level (to the nearest 10%), press both of the - and + buttons simultaneously.

2. Play / Pause

Press this button to start and stop Bluetooth audio.

In radio mode, press and release to cycle through saved radio station presets.

Press and hold this button to save the current radio station to the next available preset. See [Operation > Using the Radio](#) for more details.

3. Radio Button

Press this button to enter radio mode. Press this button again to exit radio mode. See [Operation > Using the Radio](#) for more details.

4. Bluetooth® Button

After powering on, press this button to enter Bluetooth pairing mode (unless you are already connected to a Bluetooth device). When connected to a Bluetooth device, press this button for 2 seconds to disconnect the paired device and re-enter pairing mode.

In radio mode, single press the Bluetooth button to turn off the radio and switch to Bluetooth playback. See [Operation > Pairing a Bluetooth® Device](#) to learn how to connect a Bluetooth device.

5. Lights Button

Press this button to cycle through the light modes.

Press and hold this button for 3 seconds to turn off speaker lights and backlights. When lights are OFF, press and release this button to return to the previously selected light mode. See [Operation > Light Modes](#) for more information.

6. Party Button

Press this button to enter transmitter mode. See [Operation > Party Mode](#) for more information.

Double press this button to disconnect the link.

To reset the speaker to factory default settings, press and hold this button and the **Power** button for 8 seconds.

Notes: The App will not work when the speaker is in Party mode.

While in Party mode, the Dual Connect function (connecting two phones to Bluetooth audio) is not available.

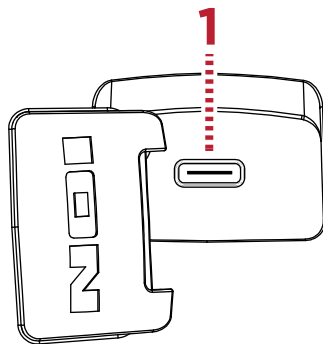
7. Power Button

Press and hold this button to turn HydroGroove on and off.

Double press this button to enable or disable voice prompts.

The lights will show the battery level as a percentage of the circle of lights on the top. The color will change depending on the battery charge level (**green** = above 50%, **orange** = between 20 - 50%, **red** = less than 20%). When the battery level reaches 10% or less, the speaker will announce 'low battery'.

Rear Panel



Note: Pull the tab on the protective rubber panel to release it and access the rear panel port.

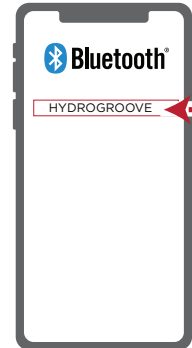
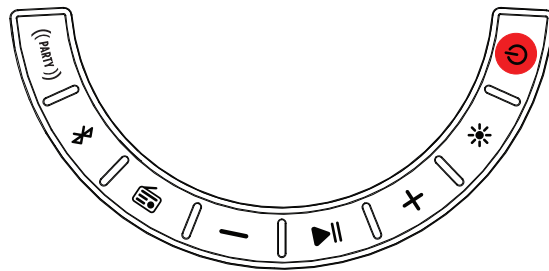
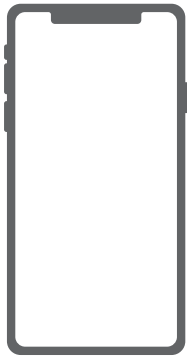
1. USB Charge

Connect the included USB-C to USB-C® cable from this charging port to a USB power adapter (DC 5V 2A, not included) connected to a power outlet, or to your powered-on computer.

Tip: Press the **+** and **-** buttons simultaneously to hear a voice prompt of the battery level.

OPERATION

Pairing a Bluetooth® Device



1 - POWER ON

2 - PRESS FOR 2 SECONDS

3

1. Turn on your Bluetooth device.
2. Turn on HydroGroove by holding down the **Power** button for 2 seconds. When the unit is first turned on, it will automatically enter Bluetooth pairing mode. When in pairing mode, the Bluetooth button LED will flash blue. If necessary, press the **Bluetooth** button to select Bluetooth mode.
3. Navigate to your device's Bluetooth setup screen, find **HYDROGROOVE**, and connect. If voice prompts are enabled, you will hear "Bluetooth Connected". When Bluetooth is connected, the LED will be solid blue.

Note: If your Bluetooth device prompts for a pairing code, enter "0000".

Dual Connect Mode:

Note: While in Party mode, Dual Connect mode is not available.

1. Connect your first Bluetooth device to HydroGroove, as outlined in the steps above.
2. On your second Bluetooth device, find and connect to HydroGroove. When connected, the music that is playing from your first Bluetooth device will not be disrupted.
3. When you play music from your second Bluetooth device, your first Bluetooth device will pause, and the music on your second Bluetooth device will play through HydroGroove, and vice-versa if you connect to your first Bluetooth device.

Note: The transition time for switching between phones will be approximately 10 seconds.

To disconnect a paired device, do any of the following:

- Turn off Bluetooth from your device's Bluetooth settings. The speaker will enter Bluetooth pairing mode to make it available for another device.
- Press the **Bluetooth** button for 2 seconds to disconnect and re-enter pairing mode.

Once you have disconnected, you will hear a test tone if voice prompts are enabled. When Bluetooth is disconnected, the Bluetooth button LED will be white.

Tip: Double press the **Power** button to turn voice prompts on or off.

Party Mode



To listen to music in stereo you can link two HydroGroove speakers together. One HydroGroove will serve as the left speaker and the other will serve as the right speaker.

Notes:

The App will not work when the speaker is in Party mode.

While in Party mode, the Dual Connect function (connecting two phones to Bluetooth audio) is not available.

To link two HydroGroove speakers together:

Note: Before you begin the linking process, make sure to first disconnect any connected Bluetooth devices.

1. Connect your Bluetooth device to the primary speaker.
2. Next, press **Party** button to enter transmitter mode. The top light ring will flash twice solid green to show that it is the primary speaker. It will then return to the current light mode.

Notes:

The linking process can take up to 30 seconds to complete.

Speakers should be within 75' (22.9 m) of each other to properly link. The closer the two speakers are, the quicker the link is established.

3. Make sure the secondary speaker(s) is not connected to a Bluetooth device, and then press the **Party** button on the secondary speaker(s) to enter receiver mode. The top light ring will slowly flash white until it links with the receiver.
4. Once the secondary speaker(s) are connected to the primary speaker, the top light ring will flash twice solid white and play a 'synced' sound. The current light mode from the primary speaker will be shown.

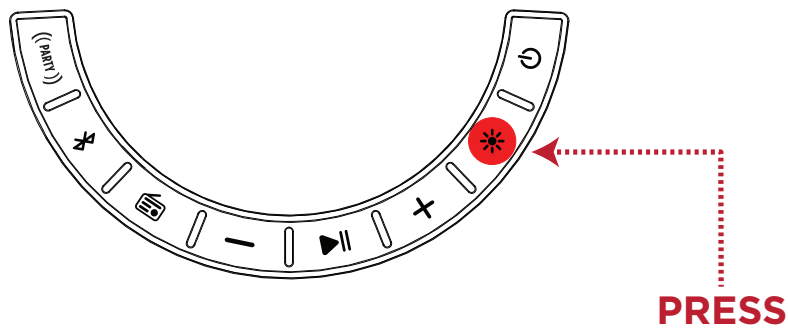
To disconnect two speakers or cancel linking between the two, double press the **Bluetooth** button on one HydroGroove.

Notes:

When turning off the primary speaker, all connected speakers will also power off. When the secondary speaker is turned off, only that speaker will power down.

When linked, the speakers will output mono sound.

Light Modes



When the speaker is first powered on, all LEDs will send red lights from the bottom to the top. The effect will hold for 2 seconds and then fade out. Then all LED's will fade in and out in blue until a Bluetooth device is connected to the speaker. When paired, all lights will flash blue 2 times.

Press the **Light** button repeatedly to toggle between one of the modes for the LEDs on HydroGroove.

Press and hold the **Light** button to turn off the speaker lights. When the lights are OFF, press and release this button to return to the previously selected light mode.

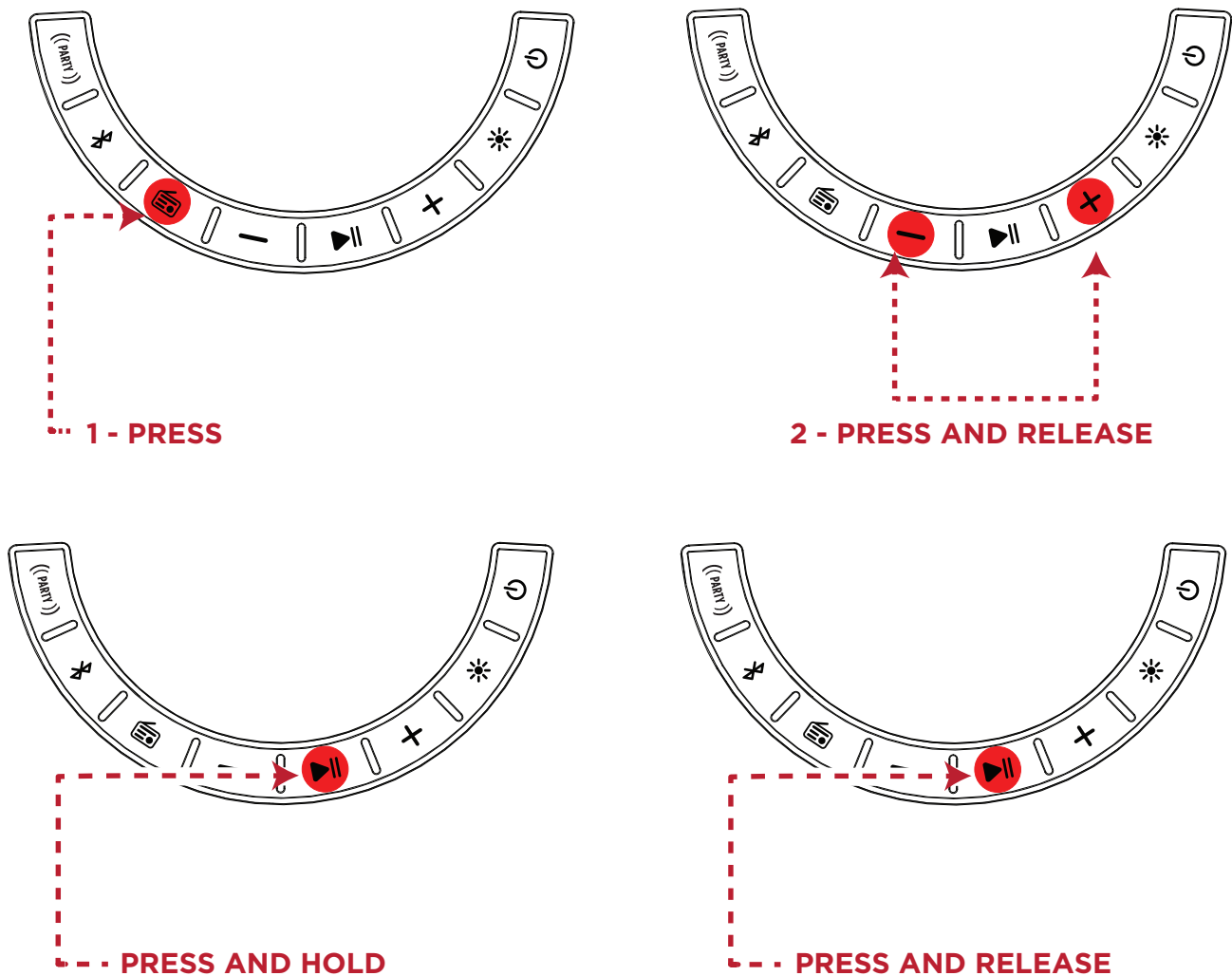
Note: For the best lighting effect, you may need to increase the volume of your connected device or input source.

The speaker LED light modes are:

- **Crazy Rainbow Beat-Sync:** All lights will move clockwise like a rainbow. The rainbow will speed up and slow down based on the bass level.
- **Starlight:** Randomly selected LEDs in all zones will flash a random color and slowly fade away.
- **Exploding Fireworks:** A light streak will move from the bottom to the second from the top LED. Then all LEDs will flash and fade down. Once the color fades away, the next color appears on the other side of the speaker and moves to the second LED from the top to repeat the lighting effect.
- **Beat Sync Star:** The LEDs spin around the speaker clockwise. The speed will change based on the bass level. The ring LEDs will light up in sync with the stars' speed on the boarder LEDs.
- **Light Pulse Beat Sync:** All LEDs react to the bass level by changing the brightness of the LEDs. All LEDs will cycle through the color spectrum.
- **Colorful Waves:** The lights will move from right to left in a wave pattern and change color every time the wave changes direction, repeating through the color spectrum.
- **Two-Tone Fade:** All LEDs will fade down through the color spectrum in a two-tone color.
- **Color Cycle:** All LEDs will be the same color while cycling through the color spectrum in a slow and smooth transition from color to color.

- **Static Color:** All LEDs stay the same color (the color can be adjusted from the ION Sound Control™ app). The default color is white unless changed in the ION Sound Control™ app.
- **Random:** The lights will randomly cycle through the effect modes every 3-5 seconds (excluding Static Color mode).
- **Off:** All lights are off.

Using the Radio



1. To use the radio, press the **Radio** button to turn on the FM radio.
2. Press and hold the +/- buttons to seek for the next strongest station in that direction.

Note: If Voice Prompts are turned off, the voice feedback for the radio stations will also be turned off.

To save a radio preset, press and hold the **Play/Pause** button for 5 seconds. A confirmation tone will be heard.

Note: The radio station will be saved to the first preset location that is set as 87.5 (factory default). Subsequent savings will overwrite the next 87.5 default preset until all 87.5 presets are replaced. Then preset saving will begin at preset 1 and continue through presets 2 - 6, before starting back at preset 1.

To recall a saved radio preset, press and release the **Play/Pause** button to cycle through the saved radio station presets.

To reset the speaker to factory defaults (erasing all radio/EQ presets, light mode, and user settings), press and hold both the **Power** and **Party** buttons for 8 seconds.

App Control

IMPORTANT: To ensure the best possible experience with the app, use the most current Android OS or iOS on your device.

Follow these steps to download the free app on your device:

Note: The App will not work when the speaker is in Party mode.

1. Open the Apple App Store or Google Play on your device. Then, search for the **ION Sound Control™** app.
2. Follow the on-screen instructions to download and install the app. Once downloaded, the **ION Sound Control™** app will appear on your device's home screen.
3. Connect your device to HydroGroove via Bluetooth. See [Operation > Pairing a Bluetooth® Device](#) to learn how to do this.
4. Open the ION Sound Control™ app. If prompted, allow the app to access your device's Bluetooth and Location Services.
5. Follow the steps on screen to find and connect to your HydroGroove. Once connected, you can control various functions of the speaker, such as:
 - **Volume:** Adjust the speaker's volume.
 - **Radio:** Select the FM radio station or a saved preset.
 - **EQ:** Adjust the speaker's high, mid, and low equalization or select a preset.
 - **Voice Prompts:** Enable or disable the voice prompts.
 - **Lights:** Change the light modes or adjust the Static Color mode.
 - **Battery Life:** Check the speaker's battery life status.
 - **Over-The-Air Firmware Updates:** Stay up to date with the latest firmware installation.

TROUBLESHOOTING

If the unit is not charging: Make sure the power cable is properly connected to the power input and the power outlet.

If the sound is distorted: Try lowering the volume control of your sound source.

If there is too much bass: Try adjusting the tone or EQ control on your sound source to lower the bass level. This will allow you to play the music louder before clipping (distortion) occurs.

If you cannot connect your audio device to HydroGroove via Bluetooth:

- Have your audio device (e.g., smartphone or tablet) and HydroGroove as close together as possible while trying to connect. Make sure both the audio device and HydroGroove are unobstructed by walls, furniture, etc.
- Press the **Bluetooth** button for 2 seconds to disconnect HydroGroove from any other audio device and restart the search process. If this does not work right away, power off HydroGroove and then power it back on. See [Operation > Pairing a Bluetooth® Device](#) for more information.
- Reset the Bluetooth connection on your audio device by turning Bluetooth off and back on. You can find this under the Bluetooth menu in the Settings for your phone or other audio device.

If this does not work, and you have connected to HydroGroove before, find HydroGroove in the list of available or previously connected devices in your audio device's Bluetooth menu, tap the "gear" or "i" icon located next to it and then select **Unpair** or **Forget**. Turn HydroGroove off and back on and try pairing again once it reappears in your available devices list.

Note: If HydroGroove has been paired to another audio device recently that is still within range, you may need to repeat this process with that audio device to fully disconnect.

If you experience audio dropouts while playing music from a Bluetooth device, this may be happening because your unit is trying to link to another speaker. This can occur if you power off a speaker that was linked to your unit or if you have just turned on your unit and it is in Party mode. To stop the audio dropouts, exit Party mode by double-pressing the **Bluetooth** button. Alternatively, you can wait for your unit to link to another speaker if there is one within range.

APPENDIX

Technical Specifications

Speakers	(3) 1" (25.4 mm) tweeters, (1) 3.1" (78.8 mm) woofer
USB	USB-C port for charging, 5V DC, 2A
Water Resistance Rating	IP67
Wireless Technology	Bluetooth® - Classic Audio
Wireless Range *	Bluetooth Range: Up to 100 ft. (30.5 m) Party Mode Range: Up to 75 ft. (22.9 m) between speakers Dual Connect Range: Up to 75 ft. (22.9 m) between speakers
Battery	Capacity: 2000 mAh/7.4V Battery Life: Up to 10 hours ** (50% volume with LEDs off) Charge Time: Up to 3 hours
Dimensions	Diameter: 9.10" / 23.11 cm Height: 2.87" / 7.28 cm
Weight	3.00 lbs / 1.36 kg

Specifications are subject to change without notice.

* Bluetooth and wireless reception and range are affected by walls, obstructions, and movement. For optimal performance, place the product so it is unobstructed by walls or furniture and is raised off the ground.

** Battery life may vary based on temperature, age, and volume usage of product.

Trademarks & Licenses

ION Audio is a trademark of inMusic Brands, Inc., registered in the U.S. and other countries.

The *Bluetooth* word mark and logos are owned by the Bluetooth SIG, Inc., and any use of such marks by ION Audio is under license.

App Store is a trademark of Apple Inc., registered in the U.S. and other countries.

Android and Google Play are registered trademarks of Google Inc. All other product names, company names, trademarks, or trade names are those of their respective owners.



ionaudio.com