



TOTAL PA™ GLOW MAX

Quickstart Guide	English (3 – 11)
Guía del usuario	Español (12 – 21)
Guide d'utilisation	Français (22 – 31)
Appendix	English (32)

User Guide (English)

Introduction

Thank you for purchasing the Total PA™ Glow Max. At ION, your entertainment is as important to us as it is to you. That's why we design our products with one thing in mind—to make your life more fun and more convenient.

Box Contents

Total PA™ Glow Max
Power Cable (5 ft. / 150 cm)
Microphone with cable (15 ft. / 450 cm)
Remote Control
Speaker Stand
Quickstart Guide

Support

For the latest information about this product (documentation, technical specifications, system requirements, compatibility information, etc.) and product registration, visit ionaudio.com.

For additional product support, visit ionaudio.com/support.

Speaker Stand Installation

1. Extend the speaker stand tripod legs on a flat, stable surface. Fully extend the legs until the plastic bracket is stopped by the bumps on the center pole. Insert the lower pin directly above the lower adjustment knob and tighten the lower adjustment knob.
2. Raise the mounting pole up to the appropriate height needed and tighten the side adjustment knob. When raising the mounting pole, make sure the end with the upward pointing arrow is on the top.
3. Insert the upper pin into the upper pin-hole so the mounting pole stays at your set height, and tighten the side adjustment knob.
4. On Total PA™ Glow Max, adjust the bottom knob counter-clockwise so the screw is not blocking the opening.
5. Line up the Total PA™ Glow Max mounting hole with the speaker stand pole and place on the pole.
6. Tighten the mounting knob clockwise on Total PA™ Glow Max.

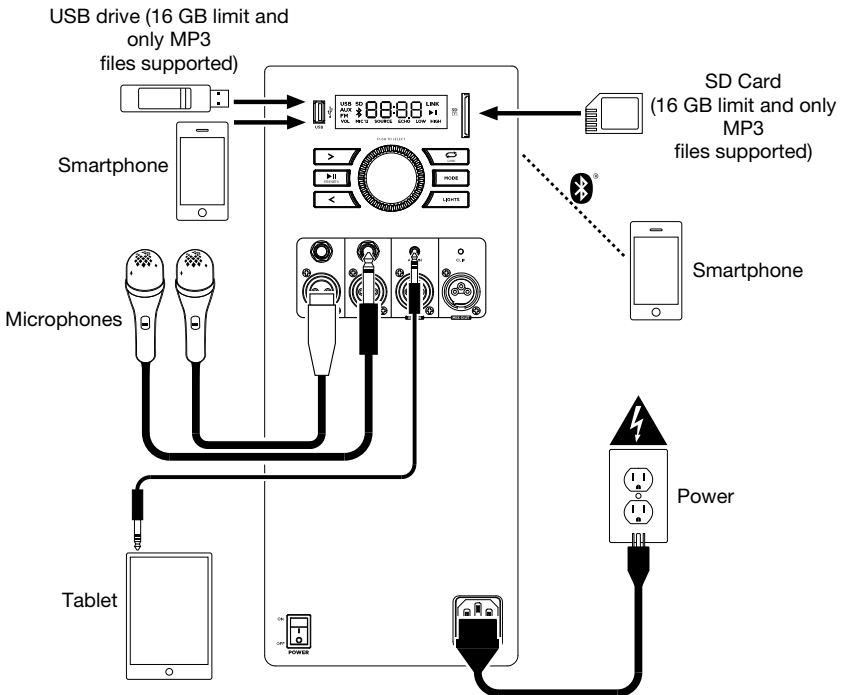
Note: Remove Total PA™ Glow Max prior to moving the stand for maximum safety.

Setup

1. Make sure all items listed in the **Box Contents** are included in the box. Look in the box under the foam sheet for the power cable and microphone.
2. **Read the Safety & Warranty Manual before using the product.**
3. Study the **Connection Diagram**.
4. Make sure all input devices (such as microphones, CD players, or digital media players) are turned off with their volume settings set to “zero.”
5. Connect all devices as shown in the Connection Diagram.
6. Switch everything on in the following order:
 - a. Audio input devices (e.g. microphones, instruments, CD players)
 - b. Total PA™ Glow Max
7. When you are finished using Total PA™ Glow Max, switch everything off in the following order:
 - a. Total PA™ Glow Max
 - b. Audio input devices

Connection Diagram

Items not listed under the **Box Contents** are sold separately.



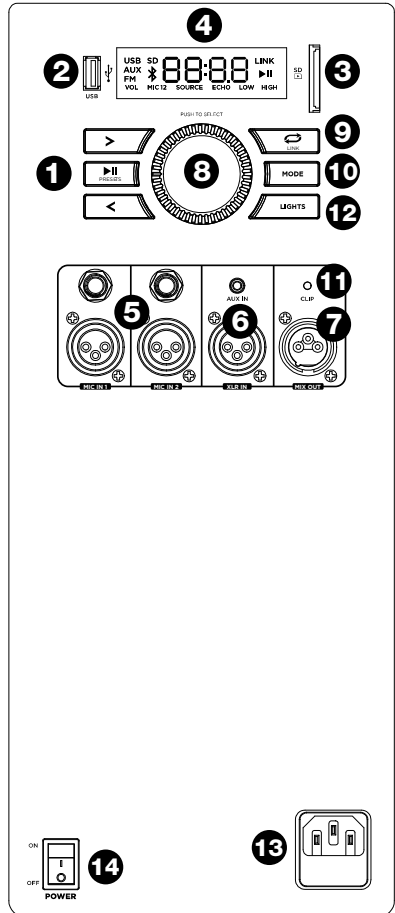
Features

Rear Panel

- Media Panel Buttons:** Controls for the USB/SD, FM radio, and Bluetooth® audio sources. These controls include mode selection and music playback options. See [Media Panel](#) for more information.
- USB Port:** Connect your USB flash drive here to play music. You can also use this port for charging the USB device, such as a tablet or smartphone. To charge a device that is streaming music via Bluetooth, pause the music first and then wait for it to reconnect after the USB cable is inserted.
- SD Card Slot:** Insert your SD card here to play music.
- Display:** This screen shows information relevant to Total PA™ Glow Max's current operation.

Note: The **Display** comes with a plastic protector on it. Remove this for optimal viewing.

- Mic Inputs (1/4"/6.35 mm & XLR):** Connect a microphone or mic-level source to these inputs.
- Aux Inputs (1/8" & XLR):** These inputs can be used to connect a CD player, MP3 player, or other audio source.
- Mix Out (XLR):** Connect this output to a speaker, mixer, or recorder.
- Control Knob:** Turn this knob to adjust the main volume (overall output) of the loudspeaker. Push this knob to select and make adjustments to the mic 1 volume, the mic 2 volume, source volume (radio, USB, SD, Bluetooth signal, and aux input), echo effect, high EQ, and low EQ. The volume of Total PA™ Glow Max does not affect your Bluetooth device volume. For the best sound quality, set your input source volume to 100% and use the Source and Main Volume control of the speaker to adjust the volume.
- Repeat/Link:** In USB or SD mode, press this button to repeat a single track, folder, or all tracks. Press and hold this button to start stereo linking to another compatible ION speaker (see ionaudio.com for a list of compatible speakers).
- Mode:** Press this button to select the audio source to use: USB, SD, FM radio, Aux (available to select when the USB port and SD card slot are empty), or Bluetooth.



11. **Clip LED:** The Clip LED will flash red if the signal from the input jacks or **Media Panel** audio source is clipping (distortion from an overly loud signal). If this happens, decrease the setting of the **Main Volume** knob or the volume for the **Aux/Mic Input** (if a loud device is plugged into either).
12. **Light Mode Button:** Press this button to toggle between one of these five modes for the lights on the front panel.
 - **Color Cycle:** The lights slowly glow and cycle through colors. This is the default mode when Total PA™ Glow Max is first powered on. Press and hold the light mode button to freeze the lights on one color. Press and release the button to unfreeze.
 - **Beat Sync:** The lights flash and change colors according to the tempo of the music playing on the speaker. For the best lighting effect, you may need to adjust the volume of your device, the source volume, and/or the main volume.
 - **Color Wheel:** The lights rotate in a wheel of all colors.
 - **Color Beat Sync:** The lights rotate in a wheel of all colors and change direction and speed according to the tempo of the music playing on the speaker. For the best lighting effect, you may need to adjust the volume of your device, the source volume, and/or the main volume.
 - **Off:** The lights turn off.
13. **Power Cable Input (IEC):** Insert the included power cable here to charge the unit.
14. **Power Switch:** Flip this switch to toggle the speaker's power on or off.

Note: Total PA™ Glow Max will power off after 15 minutes with no audio playing.

Media Panel

Use the following buttons on the Media Panel to control the USB/SD, FM Radio, and Bluetooth audio sources.

Mode: Press this button to switch the audio source between USB/SD, FM radio, Aux (available to select when the USB port and SD card slot are empty) and Bluetooth. The default mode when powering on Total PA™ Glow Max is Bluetooth. The USB/SD mode is only selectable if a USB drive or SD card is plugged into Total PA™ Glow Max; otherwise, the **Mode button** will toggle between Bluetooth, Aux, and FM radio only.

Note: Your USB drive or SD card cannot be more than 16 GB and it must contain playable files in order for its data to appear properly in the **Display**. It can have MP3 files. When you connect a USB drive or SD card with playable files, Total PA™ Glow Max will order the files alphabetically by folder on the root directory and then by track name in the folder.

Play/Pause: When USB/SD is selected as the audio source, press this button to play/pause the currently selected track. Double press this button to stop playback and return to the beginning of the track list.

When Bluetooth is selected as the audio source, press this button to play/pause the currently selected track or press and hold this button to turn voice prompts on/off.

Repeat: Press this button to cycle through the five repeat/shuffle options:

- Play the USB/SD folder's tracks in order with repeat/shuffle off (**OFF**).
- Play the tracks in random order (**Rd0**).
- Play the current USB/SD track on repeat (**ONE**).
- Play all the tracks on the USB drive or SD card on repeat (**ALL**).
- Play the current folder's tracklist on repeat (**F0d**). The folder used is based on what song is playing when it is activated. For instance, if a song playing is on the root level, selecting **F0d** will repeat only songs at the root level. If a song is in folder "A", then only songs in folder "A" will be repeated.

Previous: When USB/SD or Bluetooth is selected as the audio source, press this button to go to the previous track in the playlist.

Next: When USB/SD or Bluetooth is selected as the audio source, press this button to go to the next track in the playlist.

Note: In some apps on Bluetooth devices, pressing the < (**Previous**) or > (**Next**) buttons may change the playlist or music genre rather than the track.

Remote Control

Stop: Stops the media panel source from playing.

Mode: Selects the media panel source: Aux, USB, SD, FM radio, or Bluetooth.

Mute: Silences the music playback on media panel sources. Press Mute again to un-mute the music playback.

Prev: Goes to the previous USB or SD card track. When listening to Bluetooth sources, pressing Prev in some apps may go to another playlist or music genre. When listening to the FM radio, press the Prev button to tune the radio station down.

Next: Advances to the next USB or SD card track. When listening to Bluetooth sources, pressing Next in some apps may go to another playlist or music genre. When listening to the FM radio, press the Next button to tune the radio station up.

Play/Pause: Plays or pauses the USB, SD, or Bluetooth media panel source. Files are played from the USB or SD source first by alphabetical order of what is on the root level, then alphabetical by folder, and then alphabetical by the track name. In Radio Mode, double press the Play/Pause button to toggle through radio presets.

Vol -: Decreases the **Main Volume**.

Vol +: Increases the **Main Volume**.

EQ: Press this button to toggle through EQ presets (the preset name will be shown on the display).

100+: Jumps ahead by 100 tracks.

200+: Jumps ahead by 200 tracks.

Number Keys: Provides track selection for USB and SD card sources.

Operation

Using the Control Knob

The Control Knob defaults to controlling the **Main Volume** for all channels. Press the Control Knob to toggle through different functions: Mic Channel, Source, Echo effect level, and EQ.

- Press the Control Knob to select the Mic channel 1 or 2. Rotate the Control Knob to raise or lower the volume of the Mic input independently of the other channels.
- Press the Control Knob again to select Source. Rotate the Control Knob to raise or lower the volume of the Aux/BT/USB/Radio signal independently of the Mic channels.
- Press the Control Knob again to control the Echo effect level for the Mic channel.
- Press the Control Knob again to select Low EQ adjustment. Rotate the Control Knob to raise or lower the low frequencies on all channels.
- Press the Control Knob again to select High EQ adjustment. Rotate the Control Knob to raise or lower the high frequencies on all channels.
- Press the Control Knob again to return to Main Volume adjustment.

If there is no activity on the Control Knob for 5 seconds, the function will go back to Main Volume.

Pairing with a Bluetooth Device

1. Power on the Total PA™ Glow Max by flipping the on/off switch. Total PA™ Glow Max will automatically enter Bluetooth pairing mode.
2. Navigate to your device's Bluetooth setup screen, find **Total PA Glow Max**, and connect. Do not connect to **Total PA Glow Max_BLE**; this is reserved exclusively for connecting to the **ION Sound XP™** app. When connected, the Bluetooth icon on the display will flash and you will hear "Connected".

Note: If you experience trouble in connecting, select "Forget this Device" on your Bluetooth device and try to connect again.
3. To disconnect, turn off Bluetooth from your device's Bluetooth settings.

Linking Two Compatible Speakers (Stereo-Link 2.0™):

1. Power on both Total PA™ Glow Max speakers by flipping their on/off switches. Make sure they are in Bluetooth pairing mode and not connected to a device.
2. Press and hold the **Repeat/Link** button on one speaker (the primary speaker which will control both) to enter Stereo Link mode. Once a link has been established, the word LINK will appear on both speaker displays.
3. Connect to the primary speaker via Bluetooth.

To disconnect, double press the **Repeat/Link** button.

Note: The speakers should be within 100' (33.3 m) of each other to properly link.

Note: Total PA™ Glow Max is not compatible with previous ION PA models. To link to a previous model, use an XLR cable (not included) and link from the newer PA to the previous one via the XLR Out on Total PA™ Glow Max and the XLR Aux In on the previous model.

SD/USB Mode

Press the **Mode** button to toggle through to select SD or USB mode. Total PA™ Glow Max will automatically play the first compatible file. Files are played in alphabetical order of what is on the root level, then alphabetical by folder, and then alphabetical by track name. Media playback will stop when all media has been played on the SD card or USB drive. Press and hold the **Next** and **Previous** buttons to fast forward or rewind within the song.

Note: The SD card or USB drive must have playable files for it to appear on the media panel's display. If there is no USB drive or SD card inserted into the media panel, press and release the Mode button will toggle through Bluetooth and radio.

Repeat settings (abbreviations will show on the display):

- ALL: Repeat all of the tracks in the folder.
- FOLd: Repeat all of the tracks in the folder.
- OnE: Repeat the current playing USB track.
- rAn: Shuffle the track order.

App Control

IMPORTANT: To ensure the best possible experience with the app, use the most current Android OS or iOS on your device.

Follow these steps to download the free app on your device:

1. Open the Apple App Store or Google Play on your device. Then, search for the **ION Sound XP** app.
2. Follow the on-screen instructions to download and install the app. Once downloaded, the **ION Sound XP** app will appear on your device's home screen.
3. Connect your device to Total PA™ Glow Max via Bluetooth. See the [Pairing with a Bluetooth Device](#) to learn how to do this.
4. Open the ION Sound XP™ app. If prompted, allow the app to access your device's Bluetooth and Location Services.
5. Tap to select **Add A Product** on the screen. The app will scan and find Total PA™ Glow Max.

If you are having issues connecting, tap **Help with setting up?** for additional tips.

6. Select the **Total PA™ Glow Max** icon to go to the next screen, where you can use the app to control various functions of the speaker such as:
 - **Radio:** Play the radio, change stations, and edit presets.
 - **EQ:** Adjust the speaker's equalization, and enable or disable Bass Boost.
 - **Volume:** Adjust the speaker volume and microphone volume.
 - **Voice Prompts:** Enable or disable the voice prompts.
 - **Support:** Visit ionaudio.com, contact Technical Support, and view Warranty information and Frequently Asked Questions.

Troubleshooting

If the sound is distorted: Try lowering the volume control of your sound source, musical instrument, or microphone. Also, try to reduce the overall volume of Total PA™ Glow Max using the **Main Volume** knob.

If there is too much bass: Try adjusting the tone or EQ control on your sound source to lower the bass level. This will allow you to play the music louder before clipping (distortion) occurs.

If there is a high-pitched whistling noise when using microphones: This is probably feedback. Point the microphone away from the speaker.

If you can't hear the microphone over the music volume: Turn down the music volume from your source.

The Display shows "NONE": If a USB drive or SD card is already properly inserted, make sure it contains playable files (MP3 files).

If you cannot connect your audio device to Total PA™ Glow Max via Bluetooth:

- Have your audio device (e.g., smartphone or tablet) and Total PA™ Glow Max as close together as possible while trying to connect. Make sure both the audio device and Total PA™ Glow Max are unobstructed by walls, furniture, etc.
- Reset the Bluetooth connection on Total PA™ Glow Max to disconnect Total PA™ Glow Max from any other audio device and restart the search process. If this does not work right away, power off Total PA™ Glow Max and then power it back on. See [Pairing with a Bluetooth Device](#) for more information.
- Reset the Bluetooth connection on your audio device by turning Bluetooth off and back on. You can find this under the Bluetooth menu in the Settings for your phone or other audio device.

If this does not work, and you have connected to Total PA™ Glow Max before, find Total PA™ Glow Max in the list of available or previously connected devices in your audio device's Bluetooth menu, tap the "gear" or "i" icon located next to it and then select **Unpair** or **Forget**. Turn Total PA™ Glow Max off and back on and try pairing again once it reappears in your available devices list.

Note: If Total PA™ Glow Max has been paired to another audio device recently that is still within range, you may need to repeat this process with that audio device to fully disconnect.

If you experience audio dropouts while playing music from a Bluetooth device, this may be happening because your unit is trying to link to another speaker. This can occur if you power off a speaker that was linked to your unit or if you have just turned on your unit and it is in Stereo-Link mode. To stop the audio dropouts, exit Stereo-Link mode by double-pressing the **Repeat/Link button**. Alternatively, you can wait for your unit to link to another speaker if there is one within range.

If you would like to stop your speaker from automatically linking when you power it on, make sure you double-press the **Repeat/Link button** to exit Stereo-Link mode before you power it off.

Guía del usuario (Español)

Introducción

Gracias por comprar el Total PA™ Resplandor Máximo. En ION, su entretenimiento es tan importante para nosotros como para usted. Por eso es que diseñamos nuestros productos con una sola cosa en mente—hacer que su vida sea más divertida y cómoda.

Contenido de la caja

Total PA™ Resplandor Máximo
Micrófono con cable (15 pies / 450 cm)
Cable de alimentación (5 pies / 150 cm)
Control remoto
Soporte de altavoz
Guía de inicio rápido

Soporte

Para obtener la información más reciente acerca de este producto (documentación, especificaciones técnicas, requisitos de sistema, información de compatibilidad, etc.) y registrarlo, visite ionaudio.com.

Para obtener soporte adicional del producto, visite ionaudio.com/support.

Instalación del soporte de altavoz

1. Extienda las patas del trípode del soporte del altavoz sobre una superficie plana y estable. Extienda las patas completamente hasta que el soporte plástico haga tope con las protuberancias del poste central. Inserte el pasador inferior directamente por encima de la perilla de ajuste inferior y luego apriete dicha perilla.
2. Extienda el poste de montaje hasta la altura necesaria y apriete la perilla de ajuste del costado. Al elevar el poste de montaje, asegúrese de que el extremo que tiene la flecha apuntando hacia arriba quede del lado de arriba.
3. Inserte la clavija superior en el orificio superior de manera que el poste de montaje permanezca a la altura necesaria y apriete la perilla de ajuste del costado.
4. En el Total PA™ Resplandor Máximo, ajuste la perilla inferior en el sentido contrario a las agujas del reloj de manera tal que el tornillo no bloquee la apertura.
5. Alinee el orificio de montaje del Total PA™ Resplandor Máximo con el poste del soporte del altavoz y colóquelo en el poste.
6. Apriete la perilla de montaje en el Total PA™ Resplandor Máximo en el sentido de las agujas del reloj.

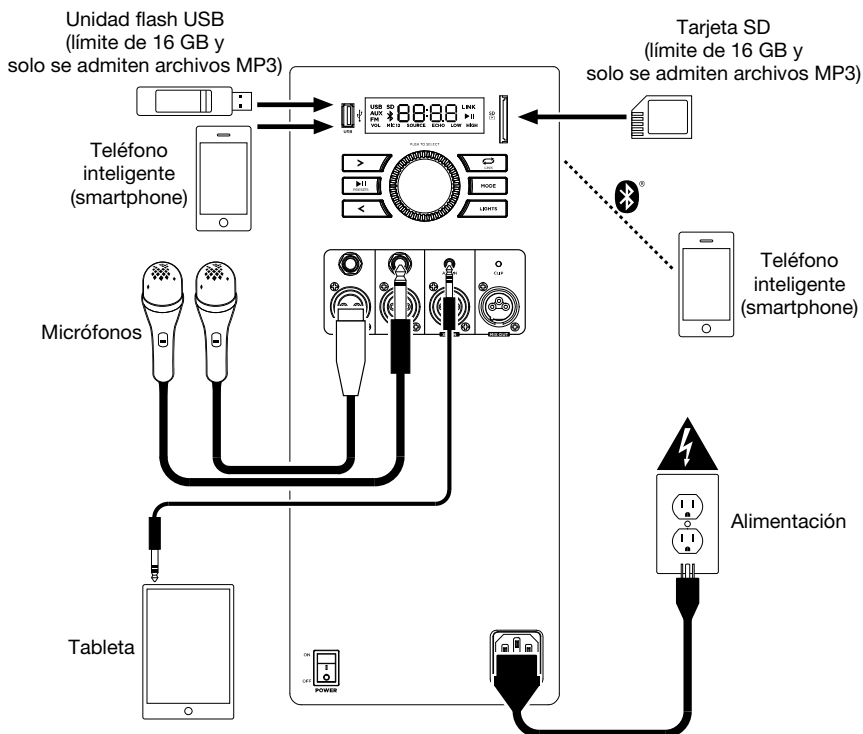
Nota: Retire el Total PA™ Resplandor Máximo antes de mover el soporte para mayor seguridad.

Instalación

1. Asegúrese de que todos los artículos indicados en **Contenido de la caja** estén incluidos en ella. Localice el cable de alimentación y el micrófono en la caja bajo la hoja de espuma de poliestireno.
2. **Lea el Manual sobre la seguridad y garantía antes de utilizar el producto.**
3. Estudie el **Diagrama de conexión**.
4. Asegúrese de que todos los dispositivos de entrada (tales como micrófonos y reproductores de CD o reproductores de otros medios digitales) estén apagados y con sus ajustes de volumen en "cero".
5. Conecte todos los dispositivos como se muestra en el diagrama de conexión.
6. Encienda todo en el siguiente orden:
 - a. Dispositivos de entrada de audio (por ejemplo, micrófonos, instrumentos, reproductores de CD)
 - b. Total PA™ Resplandor Máximo
7. Cuando haya terminado usar el Total PA™ Resplandor Máximo, apague todo en el siguiente orden:
 - a. Total PA™ Resplandor Máximo
 - b. Dispositivo de entrada de audio

Diagrama de conexión

Los elementos que no se enumeran en **Contenido de la caja** se venden por separado.



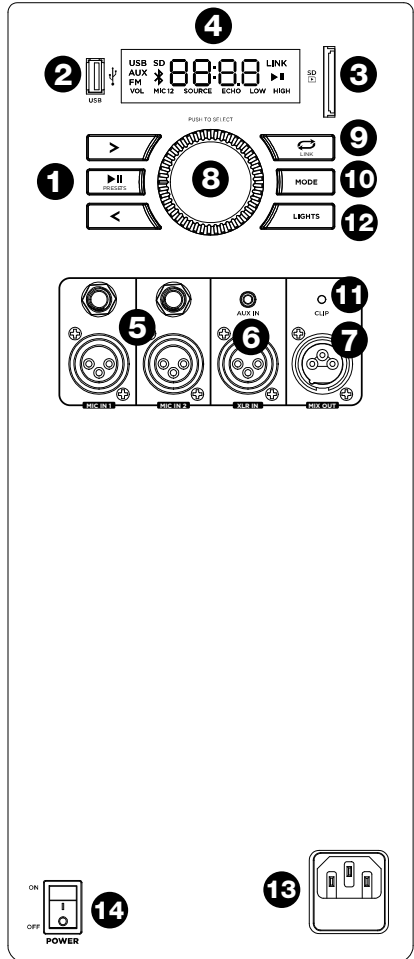
Características

Panel trasero

- Botones del panel de medios:** Controles para las fuentes de audio USB/SD, radio FM y Bluetooth®. Estos controles incluyen selección del modo y opciones para reproducción de la música. Consulte en [Panel de medios](#) a continuación las descripciones de los controles.
- Puerto USB:** Conecte su unidad flash USB para reproducir música. También puede utilizar este puerto para cargar un dispositivo USB, como una tableta o un teléfono inteligente. Para cargar un dispositivo que está transmitiendo música por Bluetooth, primero ponga en pausa la música y luego espere a que se reconecte tras insertar el cable USB.
- Ranura para tarjeta SD:** Inserte su tarjeta SD aquí.
- Pantalla:** esta pantalla muestra información relevante para la operación actual de Total PA™ Resplandor Máximo. Consulte la Guía del usuario completa para obtener más información.

Nota: La pantalla viene con un protector de plástico adherido. Quítelo para visualizar el LCD de manera óptima.

- Entradas micrófono (6,35 mm y XLR):** Conecte un micrófono o una fuente de nivel de micrófono a estas entradas.
- Entradas auxiliar (3,5 mm / 1/8 pulg y XLR):** estas entradas se pueden usar para conectar un reproductor de CD, reproductor de MP3 u otra fuente de audio.
- Salida de mezcla (XLR):** Conecte esta salida a un altavoz, mezclador o grabador.
- Perilla de control:** Gire esta perilla para ajustar el volumen principal (salida general) del altavoz. Presione esta perilla para seleccionar y realizar ajustes en el volumen del micrófono 1, el volumen del micrófono 2, el volumen de la fuente (radio, USB, SD, señal Bluetooth y entrada auxiliar), el efecto de eco, el EQ alto y el EQ bajo. El volumen del Total PA™ Resplandor Máximo no afecta el volumen de su dispositivo Bluetooth. Para lograr la mejor calidad de sonido, ajuste del volumen de su fuente de entrada al 100% y utilice el control de fuente y volumen principal del altavoz para ajustar el volumen.



9. **Repetir / Vincular:** en modo USB o SD, presione este botón para repetir una sola pista, carpeta o todas las pistas. Mantenga pulsado este botón para iniciar el enlace estéreo a otro altavoz ION compatible (consulte ionaudio.com para obtener una lista de altavoces compatibles).
10. **Modo:** Presione este botón para seleccionar la fuente de audio a usar: USB, SD, radio FM, Aux (disponible para seleccionar cuando el puerto USB y la ranura para tarjeta SD están vacíos) o Bluetooth.
11. **LED de recorte ("clip"):** El LED de recorte destella con luz roja si la señal de las entradas o de la fuente del **panel de medios** se está recortando (distorsión causada por una señal demasiado alta). Si esto ocurre, disminuya el ajuste de la **Main Volume (volumen principal)** para la **entrada Aux/Mic** (si se conecta un dispositivo de volumen elevado en cualquiera de ellos).
12. **Botón de modo de luz:** Presione este botón para alternar entre uno de estos cinco modos para las luces del panel frontal.
 - **Color Cycle (Ciclo de color):** Las luces brillan suavemente y cambian de un color a otro. Este es el modo predeterminado la primera vez que se enciende el Total PA™ Resplandor Máximo. Mantenga pulsado el botón de modo para congelar las luces en un color. Pulse y suelte este botón alternar los colores.
 - **Beat Sync (sincronizado con el ritmo):** La luz parpadea y cambia de color en función del ritmo de la música que se reproduce por el altavoz. Para obtener el mejor efecto de iluminación, es posible que deba ajustar el volumen de su dispositivo, el volumen de la fuente y el volumen principal.
 - **Color Wheel (Rueda de colores):** Las luces giran en una rueda de todos los colores.
 - **Color Beat Sync:** las luces giran en una rueda de todos los colores y cambian de dirección y velocidad de acuerdo con el tempo de la música que se reproduce en el altavoz. Para obtener el mejor efecto de iluminación, es posible que deba ajustar el volumen de su dispositivo, el volumen de la fuente y el volumen principal.
 - **Off:** Las luces se apagan.
13. **Entrada del cable de corriente (IEC):** Inserte aquí el cable de corriente incluido para cargar la unidad.
14. **Interruptor de encendido/apagado:** Mueva este interruptor para encender o apagar el altavoz.

Nota: Total PA™ Resplandor Máximo se apagará tras 15 minutos si no se reproduce audio.

Panel de medios

Utilice los siguientes botones del panel de medios para controlar las fuentes de audio USB/SD, radio FM y Bluetooth.

Modo: Pulse este botón para conmutar la fuente de audio entre USB/SD, radio FM, Aux (disponible para seleccionar cuando el puerto USB y la ranura de la tarjeta SD están vacíos), y Bluetooth. El modo predeterminado al encender el Total PA™ Resplandor Máximo es Bluetooth. El modo USB/SD solo es seleccionable si hay una unidad de memoria USB o tarjeta SD insertada en el Total PA™ Resplandor Máximo; de lo contrario, el botón **Modo** (modo) conmutará solo entre Bluetooth, Aux, y radio FM.

Nota: Su unidad de memoria USB o tarjeta SD no puede superar los 16 Gb de capacidad y debe contener archivos reproducibles para que sus datos aparezcan correctamente en la **pantalla**. Pueden almacenar archivos MP3. Cuando conecte una unidad de memoria USB o tarjeta SD con archivos reproducibles, el Total PA™ Resplandor Máximo ordenará los archivos alfabéticamente por carpeta en el directorio raíz y luego por el nombre de la pista en la carpeta.

Reproducción/Pausa: Cuando seleccione USB/SD como la fuente de audio, pulse este botón para reproducir/poner en pausa la pista actualmente seleccionada. Presione dos veces este botón para detener la reproducción y volver al principio de la lista de pistas.

Cuando seleccione Bluetooth como la fuente de audio, pulse este botón para reproducir/poner en pausa la pista actualmente seleccionada o manténgalo pulsado para activar o desactivar las indicaciones de voz.

Repetir: Pulsado este botón para alternar entre las cinco opciones de repetir/aleatorio:

- Reproducir las pistas de la carpeta USB/SD en orden con repetición/reproducción aleatoria desactivado (**OFF**).
- Reproducir las pistas en orden aleatorio (**Rd0**).
- Reproducir la pista USB/SD actual con repetición (**ONE**).
- Reproducir todas las pistas en la unidad flash USB drive o tarjeta SD con repetición (**ALL**).
- Reproducir la lista de pistas de la carpeta actual con repetición (**F0d**). La carpeta utilizada se basa en la canción que se está reproduciendo cuando se activa. Por ejemplo, si la reproducción de una canción está en el nivel raíz, al seleccionar **F0d** solo se repetirán las canciones en el nivel raíz. Si una canción está en la carpeta "A", solo se repetirán las canciones en la carpeta "A".

Anterior: Cuando se seleccione USB/SD o Bluetooth como la fuente de audio, pulse este botón para pasar a la pista anterior en la lista de reproducción.

Siguiente: Cuando se seleccione USB/SD o Bluetooth como la fuente de audio, pulse este botón para pasar a la siguiente pista en la lista de reproducción.

Nota: En algunas aplicaciones de dispositivos Bluetooth, al pulsar los botones < (**Previous**) o > (**Next**) es posible que se cambie la lista de reproducción o género musical en lugar de la pista.

Control remoto

Detener: Detiene la reproducción de la fuente del panel de medios.

Modo: Selecciona la fuente del panel de medios: Aux, USB, SD, Bluetooth o radio FM.

Silenciar: Silencia la reproducción de música de las fuentes del panel de medios. Presione Mute nuevamente para anular el silencio de la reproducción de música.

Anterior: Retrocede a la pista anterior del USB o tarjeta SD. Al escuchar de fuentes Bluetooth, pulsar **Anterior** en algunas aplicaciones puede hacer que vaya a otra lista de reproducción o género musical. Cuando escuche la radio FM, presione el botón Prev para sintonizar la estación de radio.

Siguiente: Avanza a la pista siguiente del USB o tarjeta SD. Al escuchar de fuentes Bluetooth, pulsar **Siguiente** en algunas aplicaciones puede hacer que vaya a otra lista de reproducción o género musical. Cuando escuche la radio FM, presione el botón Siguiente para sintonizar la estación de radio.

Reproducción/Pausa: Reproduce/hace pausa en la fuente de USB, SD o Bluetooth del Media Panel. Los archivos se reproducen desde la fuente USB o SD primero alfabéticamente según el contenido de la raíz, luego alfabéticamente según la carpeta y luego alfabéticamente según el nombre de la pista. En el modo de radio, presione dos veces el botón Reproducir / Pausa para alternar entre las presintonías de radio.

Volumen -: Disminuye el **Main Volume** (volumen principal).

Volumen +: Aumenta el **Main Volume** (volumen principal).

Ecualizador: Presione este botón para alternar entre los preajustes de EQ (el nombre del preajuste se mostrará en la pantalla).

100+: Saltar 100 pistas hacia adelante.

200+: Saltar 200 pistas hacia adelante.

Teclas numéricas: Permite la selección de canales para estaciones de radio FM y la selección de pistas para fuentes de tarjeta SD/USB.

Funcionamiento

Uso de la perilla de control

La perilla de control controla por defecto el **volumen principal** para todos los canales. Pulse la perilla de control para alternar entre las diferentes funciones: Canal de micrófono, fuente, nivel del efecto de eco y ecualizador.

- Pulse la perilla de control para seleccionar el canal de micrófono 1 o 2. Gire la perilla de control para subir o bajar el volumen de la entrada de micrófono independientemente de los otros canales.
- Pulse la perilla de control nuevamente para seleccionar la fuente. Gire la perilla de control para subir o bajar el volumen de la señal Aux/BT/USB/Radio independientemente de los otros canales.
- Pulse la perilla de control nuevamente para controlar el nivel del efecto de eco para el canal de micrófono.
- Pulse la perilla de control nuevamente para seleccionar el ajuste de ecualización de graves. Gire la perilla de control para subir o bajar las frecuencias bajas de todos los canales.
- Pulse la perilla de control nuevamente para seleccionar el ajuste de ecualización de agudos. Gire la perilla de control para subir o bajar las frecuencias altas de todos los canales.
- Pulse la perilla de control nuevamente para volver al ajuste del volumen principal.

Si no hay ninguna actividad proveniente de la perilla de control durante 5 segundos, la función regresará al volumen principal.

Cómo aparear un dispositivo de Bluetooth

1. Encienda el Total PA™ Resplandor Máximo girando el interruptor de encendido / apagado. El Total PA™ Resplandor Máximo entrará automáticamente al modo de apareamiento de Bluetooth.
2. Navegue a la pantalla de configuración Bluetooth de su dispositivo, busque **Total PA Glow Max**, y conéctelo. No conecte al **Total PA Glow Max_BLE**. Una vez establecida la conexión, el icono de Bluetooth en la pantalla parpadeará y escuchará el mensaje "Connected".

Nota: Si tiene problemas para conectarse, seleccione "Forget this Device" (Olvidar este dispositivo) en su dispositivo Bluetooth e intente conectarse nuevamente.

3. Para desconectarse, desactive Bluetooth de la configuración de Bluetooth de su dispositivo.

Vinculación de dos altavoces compatibles (Stereo-Link 2.0™):

1. Encienda ambos altavoces Total PA™ Resplandor Máximo encendiendo y apagando los interruptores. Asegúrese de que estén en modo de emparejamiento Bluetooth y no estén conectados a un dispositivo.
2. Mantenga presionado el botón **Repeat / Link** en un altavoz (el altavoz principal que controlará ambos) para ingresar al modo Stereo Link. Una vez que se ha establecido un enlace, la palabra LINK aparecerá en ambas pantallas de altavoces.
3. Conéctese al altavoz principal mediante Bluetooth.

Para desconectarse, presione dos veces el botón **Repeat / Link**.

Nota: Los altavoces deben estar a una distancia máxima de 100 pies (33,3 m) entre sí para que se vinculen correctamente.

Nota: Total PA™ Resplandor Máximo no es compatible con los modelos ION PA anteriores. Para enlazar a un modelo anterior, use un cable XLR (no incluido) y enlace desde el PA más nuevo al anterior a través de XLR Out en Total PA™ Resplandor Máximo y XLR Aux In en el modelo anterior.

Modo SD / USB

Presione el botón Mode para alternar y seleccionar el modo SD o USB. Total PA™ Resplandor Máximo reproducirá automáticamente el primer archivo compatible. Los archivos se reproducen en orden alfabético según el nivel raíz, luego alfabéticamente por carpeta y luego alfabéticamente por nombre de pista. La reproducción de medios se detendrá cuando se hayan reproducido todos los medios en la tarjeta SD o unidad USB. Mantenga presionados los botones **Siguiente** y **Anterior** para avanzar o retroceder rápidamente dentro de la canción.

Nota: La tarjeta SD o la unidad USB debe tener archivos reproducibles para que aparezca en la pantalla del panel de medios. Si no hay una unidad USB o tarjeta SD insertada en el panel de medios, presione y suelte el botón Modo para alternar entre Bluetooth y radio.

Repita la configuración (las abreviaturas aparecerán en la pantalla):

- TODAS: repite todas las pistas de la carpeta.
- FOLd: repite todas las pistas de la carpeta.
- OnE: repite la pista USB que se está reproduciendo actualmente.
- rAn: cambia el orden de las pistas.

Control de aplicación

IMPORTANTE: Para asegurarse la mejor experiencia posible con la aplicación, utilice el Android OS o IOS más actualizado en su dispositivo.

Siga los pasos indicados a continuación para descargar la aplicación a su dispositivo:

1. En su dispositivo, vaya a la tienda de aplicaciones respectiva de Apple o Google Play. Luego busque la aplicación gratuita **ION Sound XP™**.
2. Siga las instrucciones que aparecen en la pantalla para descargar e instalar la aplicación. Una vez descargada, la aplicación **ION Sound XP™** aparecerá en la pantalla de inicio de su dispositivo.
3. Conecte su dispositivo al altavoz Total PA™ Resplandor Máximo mediante Bluetooth. Consulte **Cómo aparear un dispositivo de Bluetooth** para saber cómo hacer esto.
4. Abra la aplicación ION Sound XP™. Si se le pide elegir, permita a la aplicación acceder a los servicios de Bluetooth y ubicación de su dispositivo.
5. Toque para seleccionar **Add A Product** en la pantalla. La aplicación escaneará y encontrará Total PA™ Resplandor Máximo.

Si tiene problemas para conectarse, toque **¿Necesita ayuda para la configuración?** Para obtener consejos adicionales.

6. Seleccione el ícono **Total PA™ Resplandor Máximo** para pasar a la próxima pantalla, en donde podrá utilizar la aplicación para controlar diversas funciones del altavoz tales como:
 - **Radio:** Reproducir la radio, cambiar estaciones y editar presets.
 - **Ecuilización:** Ajustar la ecualización del altavoz y activar o desactivar el refuerzo de graves.
 - **Volumen:** Ajustar el volumen del altavoz y el del micrófono.
 - **Avisos de voz :** Activar o desactivar los avisos de voz.
 - **Soporte:** Visite ionaudio.com, contáctese con soporte técnico y obtenga información sobre la garantía y preguntas frecuentes.

Solución de problemas

Si el sonido está distorsionado: Pruebe bajando el control de volumen de su fuente de sonido o instrument musical. Pruebe también reduciendo el **Main Volume (volumen principal)** del Total PA™ Resplandor Máximo.

Si los graves son demasiado fuertes: Intente ajustando el control de tono o ecualización de su Total PA™ Resplandor Máximo o fuente de sonido para reducir el nivel de graves. De esta forma podrá reproducir la música con más volumen antes de que se produzca el recorte (distorsión).

Si hay un silbido agudo cuando se usa un micrófono: Probablemente sea realimentación. Apunte el micrófono apartándolo del altavoz.

Si no puede oír el micrófono por arriba del volumen de la música: Disminuya el volumen de la música en su fuente.

Aparece "NONE" en la pantalla: Si ya hay una unidad USB o tarjeta SD insertada correctamente, asegúrese de que contenga archivos reproducibles (MP3).

Si no puede conectar su dispositivo de audio al Total PA™ Resplandor Máximo mediante Bluetooth:

- Mantenga su dispositivo de audio (por ej., teléfono inteligente [smartphone] o tableta) y el Total PA™ Resplandor Máximo lo más cerca posible entre sí al realizar la conexión. Asegúrese que tanto el dispositivo de audio como el Total PA™ Resplandor Máximo no estén obstruidos por paredes, muebles, etc.
- Reinicie la conexión Bluetooth del Total PA™ Resplandor Máximo para desconectarlo Total PA™ Resplandor Máximo de cualquier otro dispositivo de audio y reinicie el proceso de búsqueda. Si esto no funciona en seguida, apague el Total PA™ Resplandor Máximo y luego vuelva a encenderlo. Para más información, consulte [Cómo aparear un dispositivo Bluetooth](#).
- Reinicie la conexión Bluetooth de su dispositivo de audio apagando el Bluetooth y luego volviendo a encenderlo. Puede encontrar esta opción dentro del menú Bluetooth en los ajustes de su teléfono o dispositivo de audio.

Si esto no funciona y ya se había conectado al Total PA™ Resplandor Máximo anteriormente, busque Total PA™ Resplandor Máximo en la lista de dispositivos disponibles o previamente conectados en el menú Bluetooth de su dispositivo de audio, toque el icono de engranaje o "i" ubicado junto a él y luego seleccione **Desaparear** u **Olvidar**. Apague el Total PA™ Resplandor Máximo, luego vuelva a encenderlo e intente aparearlo nuevamente una vez que vuelva a aparecer en su lista de dispositivos disponibles.

Nota: Si Total PA™ Resplandor Máximo ya ha sido recientemente apareado con otro dispositivo de audio que aún se encuentre dentro del alcance, es posible que tenga que repetir este proceso con ese dispositivo de audio para desconectarlo completamente.

Si experimenta cortes en el audio al reproducir música desde un dispositivo Bluetooth, es posible que esto suceda debido a que su unidad está intentando enlazarse con otro altavoz. Esto puede ocurrir si apaga un altavoz que estaba enlazado con su unidad o si acaba de encender su unidad y la misma se encuentra en modo Stereo-Link. Para detener los cortes de audio, salga del modo Stereo-Link pulsando dos veces el **botón Repeat/Link**. Como alternativa, puede esperar a que su unidad se enlace con otro altavoz si es que hay uno dentro del alcance.

Si desea impedir que su unidad se enlace automáticamente cuando la enciende, asegúrese de pulsar dos veces el **botón Repeat/Link** para salir del modo Stereo-Link antes de apagarlo.

Guide d'utilisation (Français)

Présentation

Merci d'avoir fait l'acquisition de l'enceinte Total PA^{MC} Glow Max. Chez ION, votre divertissement est aussi important pour nous qu'il l'est pour vous. C'est pourquoi nous concevons nos produits avec une seule chose en tête — rendre la vie plus amusante et plus pratique.

Contenu de la boîte

Total PA^{MC} Glow Max
Microphone avec câble (4,5 m/15 pi)
Câble d'alimentation (1,5 m/5 pi)
Télécommande
Support d'enceinte
Guide d'utilisation rapide

Assistance

Pour les toutes dernières informations concernant la documentation, les spécifications techniques, la configuration requise, la compatibilité et l'enregistrement du produit, veuillez visiter ionaudio.com.

Pour de l'assistance supplémentaire, veuillez visiter ionaudio.com/support.

Installation du support pour enceinte

1. Déployez les pieds du support sur une surface plate et stable. Déployez complètement les pieds jusqu'à ce que le support en plastique soit bloqué par les saillies sur la tige centrale. Insérez la goupille inférieure directement au-dessus du bouton de réglage inférieur et serrez le bouton de réglage inférieur.
2. Allongez la perche télescopique du support à la hauteur appropriée et serrez la vis latérale. Lorsque vous soulevez la tige de montage, assurez-vous que l'extrémité avec la flèche pointant vers le haut est sur le dessus.
3. Introduisez la goupille supérieure dans le trou supérieur de la perche afin qu'elle demeure à la hauteur désirée et serrez la vis latérale.
4. Serrez la vis inférieure de la Total PA^{MC} Glow Max dans le sens antihoraire afin qu'elle ne bloque pas l'ouverture.
5. Alignez le trou de fixation de la Total PA^{MC} Glow Max à la perche du support et placez l'enceinte sur la perche.
6. Serrez la vis de fixation de la Total PA^{MC} Glow Max dans le sens horaire.

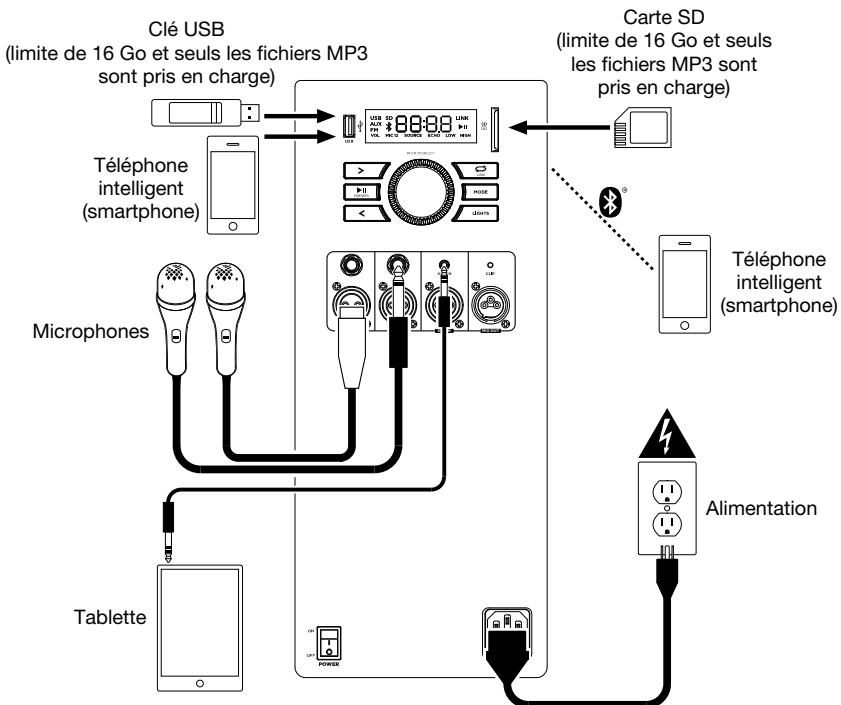
Remarque : Retirez la Total PA^{MC} Glow Max avant de déplacer le support pour plus de sécurité.

Démarrage

1. Assurez-vous que tous les articles énumérés dans le **Contenu de la boîte** de ce guide sont inclus dans la boîte. Dans la boîte, sous la feuille de polystyrène se trouvent le câble d'alimentation et le microphone.
2. **Veillez lire la section *Consignes de sécurité et informations concernant la garantie avant d'utiliser le produit.***
3. Veuillez examiner le **Schéma de connexion**.
4. Veuillez vous assurer que tous les appareils d'entrée tels que microphones, lecteurs de disques compacts ou lecteurs multimédia numériques raccordés sont éteints et que leur volume est à « zéro ».
5. Branchez tous les appareils comme indiqué sur le schéma de connexion.
6. Mettez tous les appareils sous tension dans l'ordre suivant :
 - a. sources d'entrée audio (p. ex., microphones, instruments, lecteurs de disques compacts)
 - b. Total PA^{MC} Glow Max
7. Lorsque vous avez terminé d'utiliser la Total PA^{MC} Glow Max, mettez tous les appareils hors tension dans l'ordre suivant :
 - a. Total PA^{MC} Glow Max
 - b. sources d'entrée audio

Schéma de connexion

Les éléments qui ne figurent pas dans la section **Contenu de la boîte** sont vendus séparément.



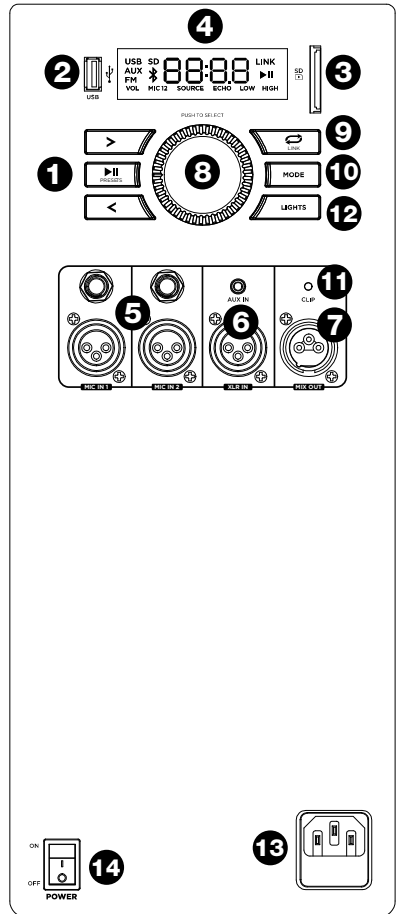
Caractéristiques

Panneau arrière

- Touches du panneau des médias :** Commandes pour les sources USB/SD, Bluetooth® et la radio FM. Ces commandes incluent la sélection du mode et les options de lecture de musique. Veuillez consulter la section [Panneau des médias](#) pour une description des commandes.
- Port USB :** Ce port permet de brancher une clé USB pour écouter de la musique. Vous pouvez également utiliser ce port pour recharger un appareil USB, comme une tablette ou un téléphone intelligent. Pour recharger un appareil qui diffuse de la musique en pause, mettez d'abord la musique en pause, puis attendez qu'il se reconnecte une fois le câble USB branché.
- Lecteur de carte SD :** Insérez une carte SD dans cet emplacement.
- Écran :** Cet écran affiche des informations relatives au fonctionnement actuel de Total PA^{MC} Glow Max. Consultez le guide de l'utilisateur complet pour en savoir plus.

Remarque : Un film de protection en plastique recouvre l'écran. Retirez-le pour un affichage optimal.

- Entrées microphone (6,35 mm et XLR) :** Ces entrées permettent de brancher un microphone ou une source de niveau microphone.
- Entrées auxiliaires (3,5 mm et XLR) :** Ces entrées peuvent être utilisées pour connecter un lecteur CD, un lecteur MP3 ou une autre source audio.
- Sortie mix (XLR) :** Cette sortie permet de brancher une enceinte, une console de mixage ou un enregistreur.
- Bouton de commande :** Tourner ce bouton permet de régler le volume principal (sortie générale) de l'enceinte. Appuyer sur ce bouton permet de sélectionner et de modifier le réglage du volume des sorties micro 1 et micro 2, de la source (radio, USB, SD, signal Bluetooth et entrée auxiliaire), de l'effet d'écho, le réglage d'égalisation des hautes et des basses fréquences. Modifier le volume de la Total PA^{MC} Glow Max n'affecte pas le volume de votre appareil Bluetooth. Pour une qualité sonore optimale, réglez le volume de votre source d'entrée au maximum et utilisez les commandes de volume Source et Main de l'enceinte pour régler le volume.



9. **Répéter / Link** : En mode USB ou SD, appuyer sur cette touche permet de répéter une seule piste, un dossier ou toutes les pistes. Maintenir cette touche enfoncée permet de relier une autre enceinte ION compatible (visitez ionaudio.com pour une liste des enceintes compatibles).
10. **Mode** : Cette touche permet de sélectionner la source audio à utiliser : USB, SD, radio FM, Aux (option disponible lorsqu'aucun câble n'est branché au port USB et que le lecteur de carte SD est vide) ou Bluetooth.
11. **Indicateurs d'écrtage** : En présence d'écrtage du signal des entrées ou du panneau des médias, la DEL d'écrtage clignote rouge (distorsion en raison d'un signal trop fort). Pour remédier à l'écrtage, diminuez le réglage du **volume principal** ou de l'**entrée auxiliaire/microphone** (si un appareil produisant des signaux audio de forte intensité est branché).
12. **Touche du mode d'éclairage** : Cette touche permet de basculer entre l'un de ces cinq modes d'éclairage du panneau avant :
 - **Color Cycle (Cycle de couleur)** : Les lumières brillent et défilent à travers toutes les couleurs. C'est le mode par défaut lors de la mise sous tension initiale de la Total PA^{MC} Glow Max. Vous pouvez maintenir la touche du mode d'éclairage enfoncée afin que les lumières restent allumées dans la couleur actuelle. Appuyez de nouveau sur la touche afin de faire défiler à nouveau toutes les couleurs.
 - **Beat Sync (Synchronisation à la musique)** : Les lumières clignotent et changent de couleur selon le rythme de la musique qui joue par le biais de l'enceinte. Pour obtenir le meilleur effet d'éclairage, vous devrez peut-être régler le volume de votre appareil, le volume de la source et/ou le volume principal.
 - **Color Wheel (Roue des couleurs)** : Les lumières tournent dans une roue de toutes les couleurs.
 - **Color Beat Sync (Roue de couleurs synchronisée à la musique)** : Les lumières tournent dans une roue de toutes les couleurs et changent de direction et de vitesse en fonction du tempo de la musique diffusée sur l'enceinte. Pour obtenir le meilleur effet d'éclairage, vous devrez peut-être régler le volume de votre appareil, le volume de la source et / ou le volume principal.
 - **Off (Désactivé)** : Les lumières ne s'allumeront pas.
13. **Entrée d'alimentation (CEI)** : Cette entrée permet de brancher le câble d'alimentation inclus afin de recharger l'appareil.
14. **Interrupteur d'alimentation** : Cet interrupteur permet de mettre l'enceinte sous et hors tension.

Remarque : L'enceinte Total PA^{MC} Glow Max se met automatiquement hors tension après 15 minutes sans signal audio.

Panneau des médias

Utilisez les touches suivantes sur le module multimédia pour commander les sources USB/SD, Bluetooth et la radio FM.

Mode : Cette touche permet de commuter entre les sources USB/SD, Bluetooth et la radio FM, Aux (option disponible lorsqu'aucun câble n'est branché au port USB et que le lecteur de carte SD est vide). Le mode par défaut lors de la mise sous tension de la Total PA^{MC} Glow Max est Bluetooth. Le mode USB/SD ne peut être sélectionné que si une clé USB ou une carte SD est insérée dans la Total PA^{MC} Glow Max, sinon la touche **Mode** permet uniquement de sélectionner le mode Bluetooth, Aux, ou la radio FM.

Remarque : La clé USB ou carte SD utilisée doit avoir une capacité maximale de 16 Go et doit contenir des fichiers audio pour que ses données apparaissent correctement à l'écran. Elle peut contenir des fichiers MP3. Lorsque vous insérez une clé USB ou une carte SD contenant des fichiers audio, la Total PA^{MC} Glow Max classe en ordre alphabétique tous les dossiers dans le répertoire racine, puis toutes les pistes de chaque dossier.

Lancer/interrompre la lecture : Lorsque USB/SD est sélectionnée comme source audio, appuyer sur cette touche permet de lancer et d'interrompre la lecture de la piste sélectionnée. Appuyer deux fois sur cette touche permet d'arrêter la lecture et de revenir au début de la liste des pistes.

Lorsque Bluetooth est sélectionnée comme source audio, appuyer sur cette touche permet de lancer et d'interrompre la lecture de la piste sélectionnée, et la maintenir enfoncée permet d'activer et de désactiver les invites vocales.

Répéter : Enfoncer permet de parcourir les cinq options de lecture répétée/aléatoire :

- Lecture des pistes du dossier USB/SD en ordre avec lecture répétée/aléatoire désactivée (**OFF**)
- Lecture aléatoire des pistes (**Rd0**)
- Lecture répétée de la piste USB/SD sélectionnée (**ONE**)
- Lecture répétée de toutes les pistes de l'appareil USB ou de la carte SD (**ALL**)
- Lecture répétée de la liste des pistes du dossier sélectionné (**F0d**). Le dossier utilisé est basé sur la piste en cours de lecture lorsqu'elle est activée. Par exemple, si une piste en cours de lecture est au niveau racine, la sélection de **F0d** ne répétera que les pistes au niveau racine. Si une piste se trouve dans le dossier « A », seules les pistes du dossier « A » seront répétées.

Piste précédente : Lorsque USB/SD ou Bluetooth est sélectionnée comme source audio, appuyer sur cette touche permet de retourner à la piste précédente dans la liste de lecture.

Piste suivante : Lorsque USB/SD ou Bluetooth est sélectionnée comme source audio, appuyer sur cette touche permet de passer à la piste suivante dans la liste de lecture, et la maintenir enfoncée permet d'augmenter le volume de la source.

Remarque : Dans certaines applications pour appareils Bluetooth, les touches < (piste précédente) et > (piste suivante) permettent de passer à une autre liste de lecture ou un autre genre de musique plutôt qu'à une autre piste.

Télécommande

Stop : Cette touche permet d'arrêter la lecture de la source du panneau des médias.

Mode : Cette touche permet de sélectionner la source du panneau des médias : Aux, USB, SD, Bluetooth ou radio FM.

Mute : Cette touche permet de mettre en sourdine le signal audio des sources du panneau des médias. Appuyez à nouveau sur Muet pour réactiver la lecture de la musique.

Piste précédente : Cette touche permet de passer à la piste précédente de la source USB ou de la carte SD. Sur des sources Bluetooth, cette touche permet de passer à d'autres listes de lecture ou de genre musical, selon l'application. Lorsque vous écoutez la radio FM, appuyez sur le bouton Précédent pour régler la station de radio vers le bas.

Piste suivante : Cette touche permet de passer à la piste suivante de la source USB ou de la carte SD. Sur des sources Bluetooth, cette touche permet de passer à d'autres listes de lecture ou de genre musical, selon l'application. Lorsque vous écoutez la radio FM, appuyez sur le bouton Suivant pour syntoniser la station de radio.

Lecture/Pause : Cette touche permet de lancer ou d'interrompe la lecture de la source Bluetooth, USB ou de la carte SD du panneau des médias. Les fichiers sont lus de la source USB et de la carte SD en ordre alphabétique, en partant du répertoire racine, puis du dossier et ensuite par le nom de la piste. En mode Radio, appuyez deux fois sur le bouton Lecture / Pause pour basculer entre les préréglages radio.

Vol - : Diminue le **Main Volume** (volume principal).

Vol + : Augmente le **Main Volume** (volume principal).

EQ : Appuyez sur ce bouton pour basculer entre les préréglages d'égaliseur (le nom du préréglage sera affiché à l'écran).

100+ : Cette touche permet d'effectuer un saut de 100 pistes.

200+ : Cette touche permet d'effectuer un saut de 200 pistes.

Touches numériques : Ces touches permettent de sélectionner le canal pour les stations de radio FM et de sélectionner les pistes des clés USB et des cartes SD.

Fonctionnement

Utilisation du bouton de commande

Le bouton de commande contrôle par défaut le **volume principal** de tous les canaux. Appuyer sur le bouton de commande permet de basculer entre les différentes fonctions : canal du microphone, source, niveau d'effet d'écho et égalisation.

- Appuyez sur le bouton de commande pour sélectionner le canal du microphone 1 ou 2. Tournez le bouton de commande pour augmenter ou diminuer le volume de l'entrée du microphone indépendamment des autres canaux.
- Appuyez de nouveau sur le bouton de commande pour sélectionner la source. Tournez le bouton de commande pour augmenter ou diminuer le volume du signal Aux/BT/USB/Radio indépendamment des canaux du microphone.
- Appuyez de nouveau sur le bouton de commande pour modifier le niveau de l'effet d'écho pour le canal du microphone.
- Appuyez de nouveau sur le bouton de commande pour sélectionner le réglage d'égalisation des basses fréquences. Tournez le bouton de commande pour augmenter ou diminuer les basses fréquences sur tous les canaux.
- Appuyez de nouveau sur le bouton de commande pour sélectionner le réglage d'égalisation des hautes fréquences. Tournez le bouton de commande pour augmenter ou diminuer les hautes fréquences sur tous les canaux.
- Appuyez de nouveau sur le bouton de commande pour revenir au paramètre du volume principal.

Après 5 secondes d'inutilisation, le bouton de commande revient au paramètre du volume principal.

Jumelage d'un appareil Bluetooth

1. Mettez la Total PA^{MC} Glow Max sous tension en basculant l'interrupteur d'alimentation. La Total PA^{MC} Glow Max entrera automatiquement en mode de jumelage Bluetooth indiqué par le voyant Bluetooth bleu clignotant.
2. Accédez à l'écran de configuration Bluetooth de votre appareil, recherchez **Total PA Glow Max** et connectez-vous. Ne branchez pas à **Total PA Glow Max_BLE**. Une fois connectée, l'icône Bluetooth sur l'écran clignotera et vous entendrez « Connected ».

Remarque: si vous rencontrez des problèmes de connexion, sélectionnez « Oublier cet appareil » sur votre appareil Bluetooth et essayez de vous connecter à nouveau.

3. Pour supprimer la connexion, désactivez la fonction Bluetooth de votre appareil.

Relier deux enceintes compatibles (Stereo-Link 2.0^{MC})

1. Mettez les deux enceintes Total PA^{MC} Glow Max sous tensions en basculant leurs interrupteurs d'alimentation. Assurez-vous qu'elles soient en mode de jumelage Bluetooth et qu'elles ne soient pas connectées à un autre appareil.
2. Maintenez la touche **Répéter / Link** d'une des enceintes enfoncée (l'enceinte principale qui contrôlera les deux) pour passer en mode Stereo-Link. Une fois la liaison établie, le mot LINK s'affichera sur les deux enceintes.
3. Connectez-vous à l'enceinte principale via Bluetooth.

Pour vous déconnecter, appuyez deux fois sur la touche **Répéter / Link**.

Remarque : Les enceintes doivent être à moins de 30,5 m l'une de l'autre pour être correctement reliées.

Remarque : La Total PA^{MC} Glow Max n'est pas compatible avec les modèles ION PA précédents. Pour établir un lien avec un modèle précédent, utilisez un câble XLR (non inclus) et reliez le nouveau PA au précédent via la sortie XLR sur Total PA^{MC} Glow Max et l'entrée auxiliaire Aux XLR sur le modèle précédent.

Mode SD / USB

Appuyez sur la touche Mode pour basculer vers le mode SD ou USB. Total PATM Glow Max lira automatiquement le premier fichier compatible. Les fichiers sont lus en ordre alphabétique, en partant du répertoire racine, puis du dossier et ensuite par le nom de la piste. La lecture multimédia s'arrête lorsque tous les supports ont été lus sur la carte SD ou le lecteur USB. Appuyez sur les touches **Suivant** et **Précédent** et maintenez-les enfoncés pour avancer ou reculer rapidement dans la chanson.

Remarque : la carte SD ou la clé USB doit contenir des fichiers lisibles pour qu'elle apparaisse sur l'écran du panneau multimédia. S'il n'y a pas de clé USB ou de carte SD insérée dans le panneau multimédia, appuyez et relâchez la touche Mode pour basculer entre Bluetooth et radio.

Les paramètres de lecture répétée (les abréviations s'afficheront à l'écran) :

- ALL : Répète toutes les pistes du dossier.
- FOLd : Répète toutes les pistes du dossier.
- OnE : Répète la piste USB en cours de lecture.
- rAn : Mélanger l'ordre des pistes.

Contrôle d'application

Veillez suivre les étapes ci-dessous afin de télécharger l'application sur votre appareil :

1. Accédez au Apple App Store ou à Google Play à partir de votre appareil. Recherchez l'application **ION Sound XP^{MC}**.
2. Suivez ensuite les consignes à l'écran afin de la télécharger et de l'installer. Une fois téléchargée, l'application **ION Sound XP^{MC}** s'affiche sur la fenêtre d'accueil de votre appareil.
3. Connectez votre appareil à Total PA^{MC} Glow Max via Bluetooth. Voir **Jumelage d'un appareil Bluetooth** pour savoir comment procéder.
4. Ouvrez l'application ION Sound XP^{MC}. Si vous y êtes invité, autorisez l'application à accéder aux services Bluetooth et de localisation de votre appareil.
5. Appuyez sur pour sélectionner **Add A Product** sur l'écran. L'application va scanner et trouver Total PA^{MC} Glow Max.

Si vous éprouvez des problèmes de connexion, appuyez sur « **Help with setting up?** » afin d'obtenir des conseils supplémentaires.

6. Sélectionnez l'icône Total PA^{MC} Glow Max pour passer à la fenêtre suivante, où vous pouvez utiliser l'application pour contrôler diverses fonctions de l'enceinte comme :
 - **Radio** : Ce réglage permet d'écouter la radio, de changer la station et de modifier les pré-réglages.
 - **Égalisation** : Ce réglage permet d'ajuster l'égalisation de l'enceinte et d'activer et de désactiver la fonction Bass Boost.
 - **Volume** : Ce réglage permet d'ajuster le volume de l'enceinte et du microphone.
 - **Messages vocaux** : Ce réglage permet d'activer et de désactiver les messages vocaux.
 - **Assistance technique** : Ce réglage permet d'accéder à ionaudio.com, de contacter l'assistance technique et de consulter les informations de garantie et les questions fréquemment posées.

Dépannage

Lorsqu'il y a de la distorsion : Essayez de diminuer le volume sur l'appareil d'entrée audio ou l'instrument de musique. Essayez également de diminuer le **volume principal** de la Total PA^{MC} Glow Max.

Lorsqu'il y a trop de basses fréquences : Essayez de régler le niveau de tonalité et d'égalisation de la Total PA^{MC} Glow Max ou de la source d'entrée audio afin de diminuer le niveau des basses fréquences. Cela vous permettra d'augmenter le volume de la musique avant que l'écrêtage se produise.

Lorsqu'il y a un sifflement aigu lors de l'utilisation d'un microphone : Ceci est probablement causé par la rétroaction (effet Larsen). Dirigez le microphone loin de l'enceinte.

Si vous ne pouvez entendre le microphone à cause du volume trop élevé de la musique : Baissez le volume de la musique provenant de la source.

Si l'écran affiche « NONE » : Si une clé USB ou une carte SD est correctement insérée, assurez-vous qu'elle contient des fichiers lisibles (MP3).

Si vous ne pouvez connecter votre appareil audio à la Total PA^{MC} Glow Max par connexion Bluetooth :

- Veillez à ce que votre appareil audio (p. ex., téléphone intelligent ou tablette) et la Total PA^{MC} Glow Max soient le plus près possible l'un de l'autre lors du jumelage. Veillez également à ce qu'aucun obstacle ne se trouve entre l'appareil audio et la Total PA^{MC} Glow Max, comme des murs, des meubles, etc.
- Réinitialisez la connexion Bluetooth sur la Total PA^{MC} Glow Max afin de supprimer toute connexion à la Total PA^{MC} Glow Max et recommencer le processus de recherche d'appareil. Si cela ne fonctionne pas immédiatement, mettez la Total PA^{MC} Glow Max hors tension et de nouveau sous tension. Veuillez consulter la section [Jumelage d'un appareil Bluetooth](#) afin d'en savoir plus.
- Réinitialisez la connexion Bluetooth sur l'appareil audio en désactivant et réactivant la connexion Bluetooth. Vous pouvez effectuer ceci à partir du menu Bluetooth dans les réglages de votre téléphone intelligent ou autre appareil audio.
Si cela ne fonctionne pas et que vous avez déjà connecté votre appareil à la Total PA^{MC} Glow Max auparavant, veuillez rechercher la Total PA^{MC} Glow Max dans la liste des appareils disponibles ou précédemment connectés dans le menu Bluetooth de votre appareil audio, puis appuyer sur l'icône engrenage ou « i » située à côté de « Oublier cet appareil ». Mettez la Total PA^{MC} Glow Max hors tension et de nouveau sous tension et réessayez de la jumeler une fois qu'elle apparaît dans la liste des appareils disponibles.

Remarque : Si la Total PA^{MC} Glow Max a été récemment jumelée à un autre appareil audio qui est toujours dans son champ de portée, il se peut que vous deviez répéter ce processus avec cet appareil audio afin de supprimer la connexion.

Si vous éprouvez des pertes audio lorsque vous écoutez de la musique à partir d'un appareil Bluetooth, il se peut que la Total PA^{MC} Glow Max tente de se connecter à une autre enceinte. Ceci peut se produire lorsque vous éteignez une enceinte reliée à la Total PA^{MC} Glow Max ou lorsque vous venez tout juste d'allumer celle-ci et qu'elle est en mode Link. Pour supprimer les pertes audio, quittez le mode Link en appuyant deux fois sur la **touche**

Repeat/Link. Vous pouvez également attendre qu'elle se connecte à une autre enceinte s'il y en a une à sa portée.

Si vous souhaitez éviter que l'enceinte tente de se connecter automatiquement lorsque vous la mettez sous tension, assurez-vous d'appuyer deux fois sur la **touche Repeat/Link** pour quitter le mode Link avant de la mettre hors tension.

Appendix (English)

Technical Specifications

Output Power	500 W (peak)
Low Frequency	15.0" / 381 mm woofer
High Frequency	1.0" / 25.4 mm tweeter
Frequency Response	55 Hz – 20 kHz
Bluetooth*	Profile: A2DP, AVCTP Module: Bluetooth 5.1 Range: Up to 100 feet / 30.5 meters Linked Range: Up to 100 feet / 30.5 meters
USB/SD Card	Audio: Music playback from USB drive or SD card Supported File System: FAT 32 Supported File Type: MP3 Maximum File Size: 16 GB Maximum USB Drive / SD Card Capacity: 16 GB
Remote Battery	CR2025
Power	IEC320 C13 power cable
Dimensions	17.5" x 14" x 27" / 445 x 356 x 686 mm
Weight	39.9 lbs. / 18.1 kg.

Specifications are subject to change without notice.

*Bluetooth and wireless reception and range are affected by walls, obstructions, and movement. For optimal performance, place the product in the center of the room so it is unobstructed by walls, furniture, etc.

Trademarks & Licenses

ION Audio is a trademark of inMusic Brands, Inc., registered in the U.S. and other countries. App Store is a trademark of Apple Inc., registered in the U.S. and other countries. Android and Google Play are registered trademarks of Google Inc. The *Bluetooth* word mark and logos are owned by the Bluetooth SIG, Inc. and any use of such marks by ION Audio is under license. All other product names, company names, trademarks, or trade names are those of their respective owners.

ionaudio.com