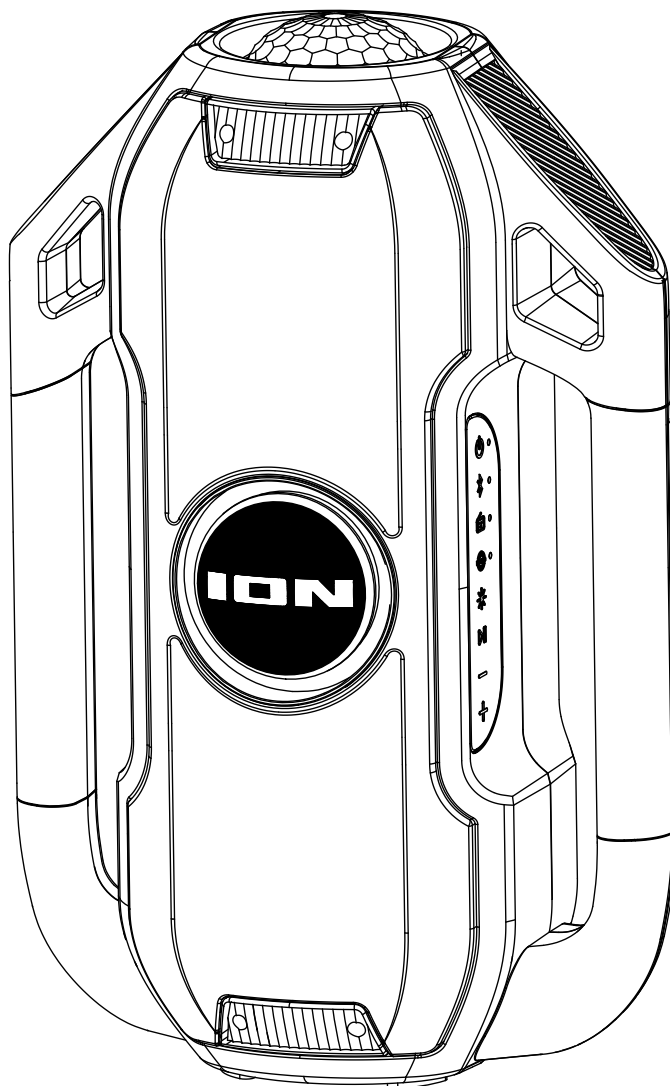


**ION**<sup>®</sup>

# **PARTY SPLASH™ LINK**



## **User Guide**

English



[ionaudio.com/support](http://ionaudio.com/support)

# TABLE OF CONTENTS

<b>INTRODUCTION .....</b>	<b>3</b>
Box Contents.....	3
Support.....	3
<b>SETUP .....</b>	<b>4</b>
Use and Care .....	4
Charging & Battery Information .....	5
<b>FEATURES .....</b>	<b>7</b>
Top Panel .....	7
Rear Panel.....	9
<b>OPERATION.....</b>	<b>10</b>
Pairing a Bluetooth® Device.....	10
Call Answering.....	11
Multi-Sync™.....	12
Using the Radio .....	13
App Control.....	14
<b>TROUBLESHOOTING .....</b>	<b>15</b>
<b>APPENDIX.....</b>	<b>16</b>
Technical Specifications.....	16
Trademarks & Licenses .....	16

# INTRODUCTION

Thank you for purchasing the Party Splash™ Link. At ION, your entertainment is as important to us as it is to you. That's why we design our products with one thing in mind—to make your life more fun and more convenient.

**Note:** Before you first use the product, please fully charge the batteries. Your unit was purposely shipped with a reduced battery charge to ensure safe transit. For optimal charging, power off the speaker while charging.

Use the included USB-A to USB-C® charging cable to connect the unit to a 5V, 2A power adapter (not included) connected to a power outlet and let it charge for up to 4 hours (depending on the specifications of your adapter). This helps ensure the longest life for your battery.

## Box Contents

Party Splash™ Link

USB-A to USB-C® Charging Cable (3.28 ft / 1 m)

Quickstart Guide

## Support

For the latest information about this product (documentation, technical specifications, system requirements, compatibility information, etc.) and product registration, visit [ionaudio.com](https://ionaudio.com).

For additional product support, visit [ionaudio.com/support](https://ionaudio.com/support).

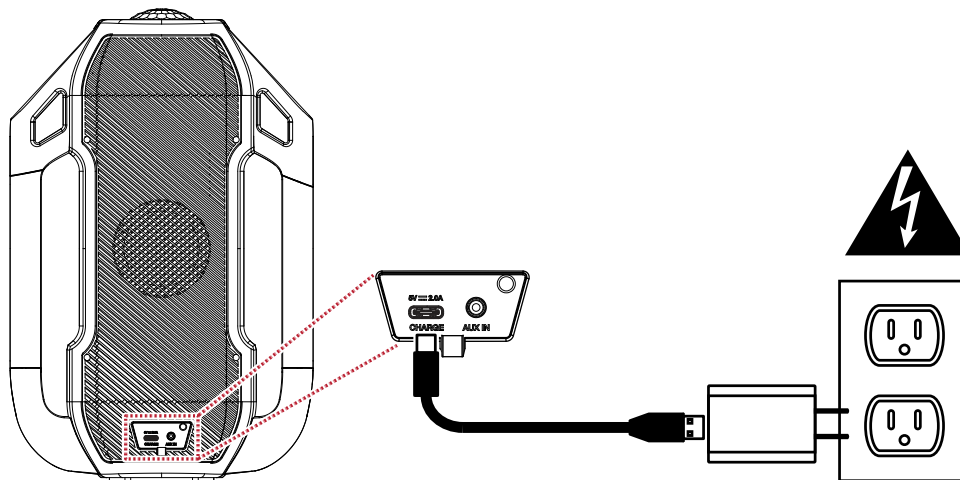
# SETUP

## Use and Care

Please review the tips below to get the best performance from your Party Splash™ Link speaker:

- Party Splash™ Link is IP67 waterproof, submersible up to 3 ft. (1 m) for 30 minutes, and dust-/ dirt-/sand-proof.
- If the speaker fills with water, the sound will be muffled until the water has drained.
- If Party Splash™ Link is exposed to saltwater, we recommend that you rinse it with tap water to maintain long-term performance of the product.
- Place Party Splash™ Link in the upright position for the best sound experience. Party Splash™ Link will float in the position that it was placed or tossed into the water (for example, if placed on its side, Party Splash™ Link will continue to float on its side).
- Please do not attempt to charge Party Splash™ Link in a wet environment. Make sure the power input, USB-C® cable, power adapter, and power outlet are all completely dry before making any connections.
- **WARNING:** Keep any non-water-resistant devices (phones, music players, etc.) in a dry place where they will not be affected by water and cause a risk of electric shock.

## Charging & Battery Information



For the quickest charging time, power off Party Splash™ Link and use the included USB-A to USB-C® charging cable to connect the USB-C® charging port on the rear panel of the speaker to a USB power adapter (DC 5V, 2A; not included) connected to a power outlet, or your computer (powered on). A full charge can take up to 4 hours, depending on the specifications of your 5V, 2A adapter.

If there is no audio coming from a Bluetooth device or the aux input for 30 minutes, Party Splash™ Link will do one of the following to save battery life:

- If the speaker was previously fully powered on before the audio ceased for 30 minutes, it will fully power off.
- If the speaker was previously in standby mode before the audio ceased for 30 minutes, it will return to standby mode.

To wake the speaker from standby mode, quickly press and release the **Power** button, or use the **ION Sound Control™** app.

When in standby mode, the unit will also automatically power off when the battery reaches 10% to not completely drain the battery.

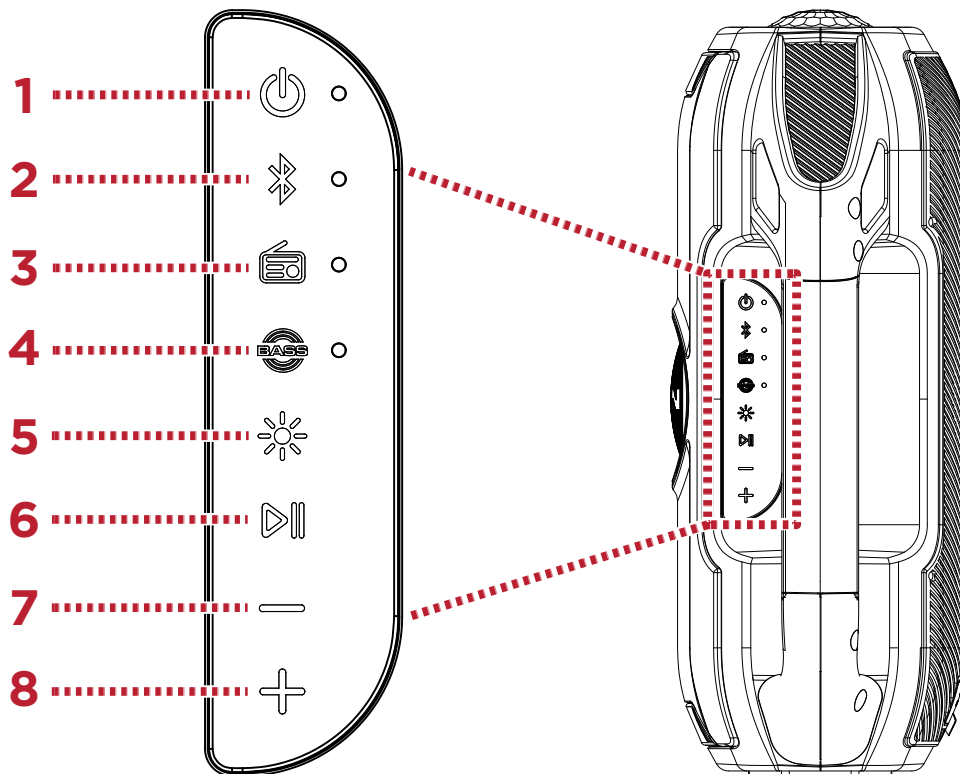
Here are some other recommendations for getting the longest life from the internal battery.

- General Usage** Fully charge the battery before using it.
- Avoid full discharge of the battery if possible. Li-Ion batteries are maintenance-free, and the battery will last longest when operating between 30-80% charged.
- Do not use the product while charging the battery.
- Do not charge the battery in exceedingly hot (greater than 90°F/32°C) or exceedingly cold (less than 32°F/0°C) temperatures.
- Storage** For best product longevity, do not store at exceedingly hot (greater than 90°F/32°C) or exceedingly cold (less than 32°F/0°C) temperatures.
- For best product longevity, store with a 50% battery charge.
- If you leave the battery level low and do not charge it for 6 months, it may permanently lose capacity.
- Repair** If the battery fails to charge, contact ION Audio at [ionaudio.com](http://ionaudio.com).
- Disposal** Bring the unit to a recycling center or dispose of in accordance with local ordinances.

# FEATURES

## Top Panel

Click a control below to jump to that section.



### 1. Power Button

Press and hold this button to power Party Splash™ Link on and off. The LED next to this button will change based on the current status of Party Splash™ Link:

- **Solid White:** Power on.
- **Flashing Red:** Low battery.
- **Solid Red:** Charging. If the unit is powered off, the LED will turn off once charging is complete. Battery status can also be seen from the **ION Sound Control™** app.

Quickly press and release this button to enter low-power standby mode. To wake from standby, quickly press and release this button again, or use the **ION Sound Control™** app.

### 2. Bluetooth Button

Press this button to enter Bluetooth pairing mode. See [Operation > Pairing a Bluetooth® Device](#) to learn more.

Double-press this button to enter Multi-Sync™ mode. See [Operation > Multi-Sync™](#) to learn more.

### 3. Radio Button

Press this button to enter or exit FM radio mode. See [Operation > Using the Radio](#) to learn more.

### 4. Bass Boost Button

Press this button to activate or deactivate Bass Boost, which enhances the bass EQ while in Bluetooth mode.

### 5. Light Mode Button

Press this button to cycle through the five available light modes, or to turn the lights off:

- **Beat Sync:** The lights change color and flash in reaction to the beat of the music.
- **Color Cycle:** The lights slowly glow and fade through colors.
- **Beathing Color:** All lights glow in the same color, fading in and out while cycling through the full color spectrum.
- **Solid Color:** The lights will all be lit in a single color (by default, blue). You can change the color using the **ION Sound Control™** app.
- **Random:** The lights cycle through the other four color modes randomly, changing every 5-7 seconds.
- **Off**

### 6. Play/Pause

Press this button to play or pause playback from a connected Bluetooth device.

You can also use this button to answer and reject incoming calls when connected to a phone through Bluetooth. See [Operation > Call Answering](#) to learn more.

### 7. Volume Down / Previous

Press this button to increase playback volume.

In Bluetooth mode, press and hold this button to revert to the previous track, and press again within one second to skip to the previous track.

In Radio mode, press and hold this button to seek the previous strongest station.

### 8. Volume Up / Next

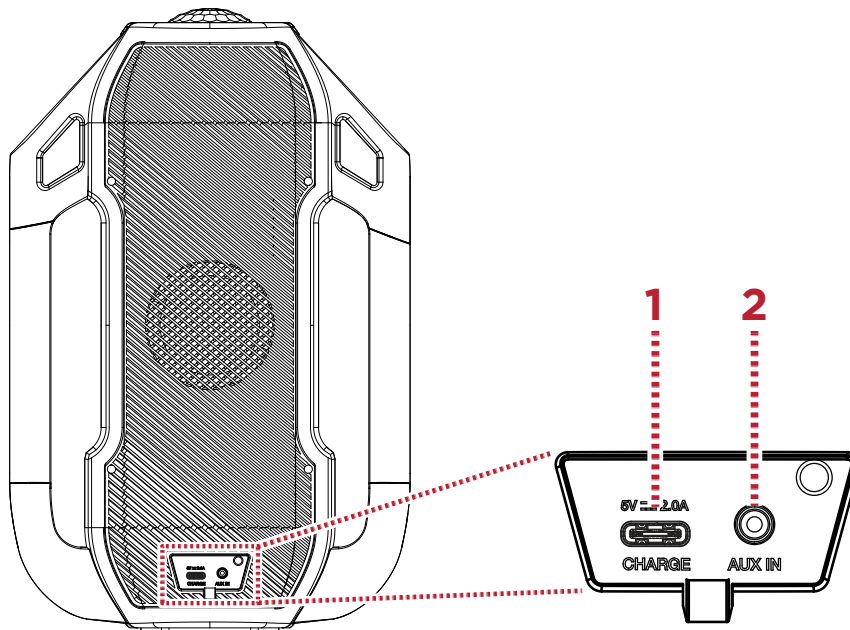
Press this button to increase playback volume.

In Bluetooth mode, press and hold this button to skip to the next track.

In Radio mode, press and hold this button to seek the next strongest station.



## Rear Panel



### 1. USB-C® Port

To charge Party Splash™ Link, connect the included USB-A to USB-C® charging cable from this port to a USB power adapter (DC 5V, 2A; not included) connected to a power outlet.

### 2. Aux Input

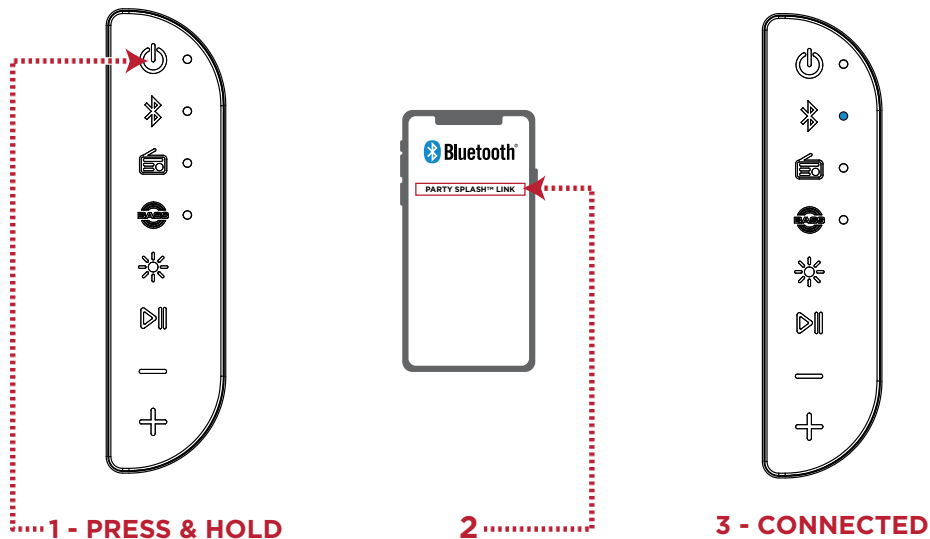
This 1/8" (3.5 mm) input can be used to connect a CD player, MP3 player, or other auxiliary audio source.

#### Note:

- While in Bluetooth mode or FM mode, connecting a cable to the Aux input will automatically switch Party Splash™ Link to Aux mode.
- If the cable is removed while in Aux mode, Party Splash™ Link will revert to the last mode it was last in, either FM or Bluetooth.

# OPERATION

## Pairing a Bluetooth® Device



1. Turn on Party Splash™ Link by pressing and holding the **Power** button. Upon powering on, Party Splash™ Link will be available to pair, so make sure your Bluetooth device is within range of the speaker, no more than 100 ft. (30.5 m).

If Party Splash™ Link is powered on and you are in FM mode or using the Aux input, you will need to press the **Bluetooth** button to switch to Bluetooth mode.

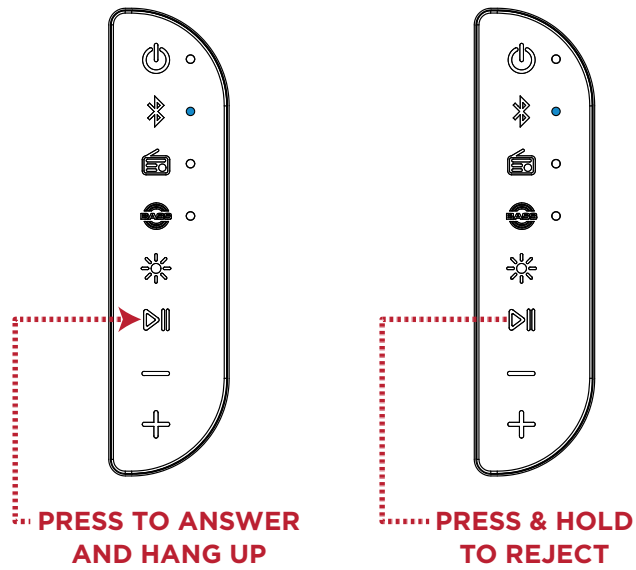
2. Navigate to your device's Bluetooth setup screen, find **PARTY SPLASH LINK**, and connect.

**Note:** Do not connect to **iSP149C\_BLE**; this is reserved exclusively for connecting to the ION Sound Control™ app. If you experience trouble in connecting, select “Forget this Device” on your Bluetooth device and try to connect again.

3. Once paired, you will hear “Connected” (if voice prompts are enabled), and the LED next to the **Bluetooth** button will become solid blue.
4. You can now press play in your music player app of choice on your device.

**To disconnect a paired device**, press and hold the **Bluetooth** button, or turn off Bluetooth from your device's Bluetooth settings. The speaker will enter Bluetooth pairing mode to make it available for another device. When you disconnect a Bluetooth device, you will hear “Disconnected” if voice prompts are enabled.

## Call Answering



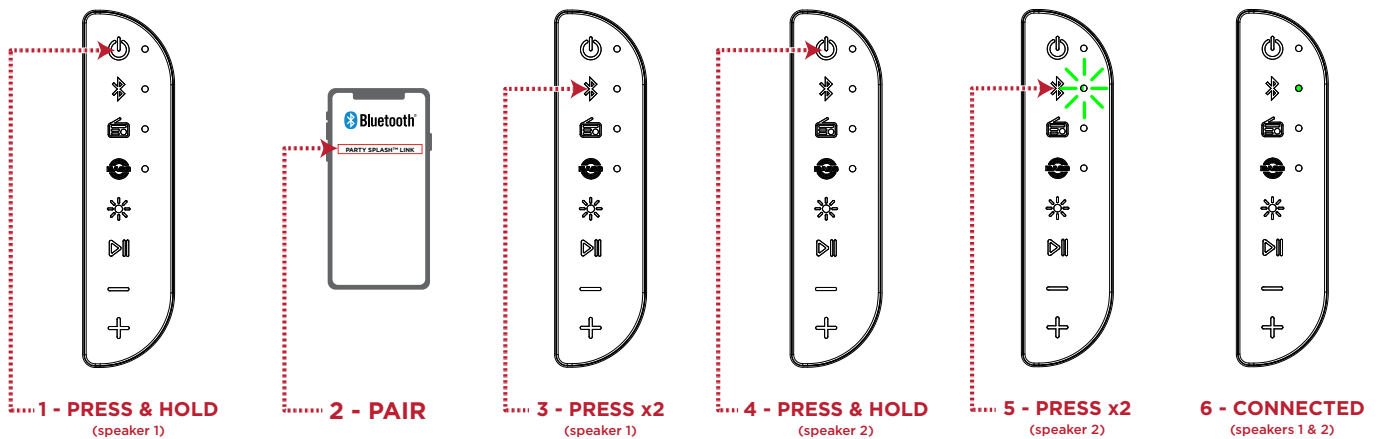
To answer an incoming call when connected via Bluetooth, quickly press and release the Play/Pause button. Bluetooth playback will be paused until the call is completed or rejected.

To reject an incoming call, press and hold the Play/Pause button.

To control the volume of the caller, press the +/- buttons.

To end a call and unpause Bluetooth playback, press the Play/Pause button.

## Multi-Sync™



### To sync one or more secondary speakers together:

1. Turn on one Party Splash™ Link by pressing and holding the **Power** button. This speaker will be your “primary” speaker.
2. Navigate to your device’s Bluetooth setup screen, find **PARTY SPLASH LINK**, and connect to the primary speaker. The **Bluetooth LED** will be lit solid blue.
3. Double-press the **Bluetooth** button on the primary speaker to enter Multi-Sync™ mode. The **Bluetooth LED** will now be lit solid white, and you will hear “Multi-Sync™ primary speaker” if voice prompts are enabled, or two tones if voice prompts are disabled.
4. Power on any secondary Party Splash™ Link or other Multi-Sync™ compatible speakers. Visit [ionaudio.com](http://ionaudio.com) to learn more about the full range of Multi-Sync™ speakers.
5. Double-press the **Bluetooth** button on the secondary speaker to enter Multi-Sync™ mode and initiate syncing. The **Bluetooth LEDs** on both speakers will begin flashing green, and you will hear “Multi-Sync™ secondary speaker” if voice prompts are enabled, or two tones if voice prompts are disabled.

**Note:** For best results, keep speakers within 50 ft. (15 m) with a clear line of sight while syncing. It may take up to 1 minute to make the connection.

6. When the speakers have synced, the **Bluetooth LEDs** on both speakers will be lit green, and you will hear “Synced” if voice prompts are enabled.

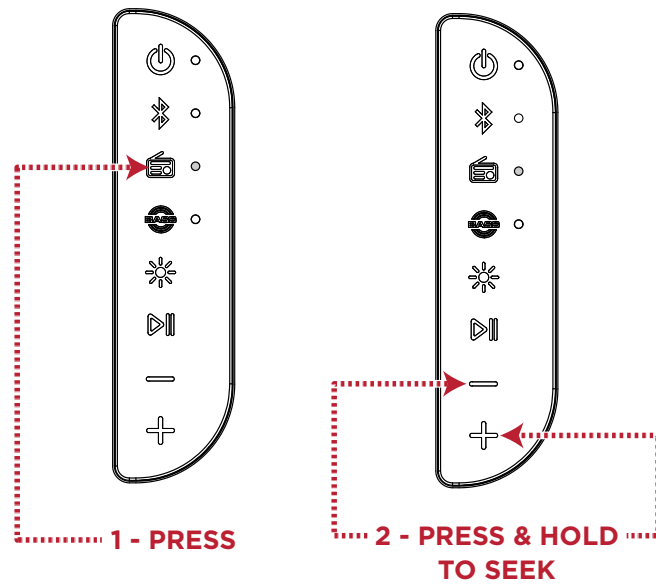
To **disconnect**, double-press the **Bluetooth** button on one of the two speakers.

### Tips:

The Bluetooth range will be determined by the distance that your Bluetooth device is to the primary speaker. See [Technical Specifications](#) for Bluetooth and Multi-Sync™ ranges.

It is recommended when using multiple speakers of the same type to rename the speakers in your device’s Bluetooth list. This will allow easy identification between the primary and secondary speakers when connecting through Bluetooth or the **ION Sound Control™** app.

## Using the Radio



1. Press the **Radio** button. The LED next to this button will light up when FM radio mode is activated.
2. Press and hold the +/- buttons to seek to the next or previous strongest station.

To save a radio station as a preset, use the ION Sound Control™ app. See [Operation > App Control](#) for more information.

To recall a saved preset station, press the **Play/Pause** button.

## App Control

**IMPORTANT:** To ensure the best possible experience with the app, use the most current Android OS or iOS on your device.

Follow these steps to download the free app on your device:

1. Open the Apple App Store or Google Play on your device. Then, search for the **ION Sound Control™** app.
2. Follow the on-screen instructions to download and install the app. Once downloaded, the **ION Sound Control™** app will appear on your device's home screen.
3. Connect your device to Party Splash™ Link via Bluetooth. See [Operation > Pairing a Bluetooth® Device](#) to learn how to do this.
4. Open the ION Sound Control™ app. If prompted, allow the app to access your device's Bluetooth and Location Services.
5. Follow the steps on screen to find and connect to your Party Splash™ Link. Once connected, you can control various functions of the speaker, such as:
  - **Volume:** Adjust the speaker's volume.
  - **Voice Prompts:** Enable or disable the voice prompts (on by default).
  - **Battery Life:** Check the speaker's battery life status.
  - **Radio:** Play the radio, change stations, and edit presets.
  - **EQ:** Adjust the speaker's equalization.
  - **Lights:** Change the light modes and select colors.
  - **Standby Mode:** Wake the speaker from standby mode.
  - **Multi-Sync™:** Sync two or more Multi-Sync™ compatible speakers.
  - **Support:** Visit [ionaudio.com](http://ionaudio.com), contact Technical Support, and view Warranty information and Frequently Asked Questions.

# TROUBLESHOOTING

**If the unit is not charging:** Make sure the USB-A to USB-C® charging cable is properly connected to the power input, the power adapter, and the power outlet.

**If the sound is distorted:** Try lowering the volume control of your sound source.

**If there is too much bass:** Try adjusting the tone or EQ control on your sound source or on Party Splash™ Link via the ION Sound Control™ app to lower the bass level. This will allow you to play the music louder before clipping (distortion) occurs.

**If you cannot connect your audio device to Party Splash™ Link via Bluetooth:**

- Have your audio device (e.g., smartphone or tablet) and Party Splash™ Link as close together as possible while trying to connect. Make sure both the audio device and Party Splash™ Link are unobstructed by walls, furniture, etc.
- Double-press the Bluetooth button to disconnect Party Splash™ Link from any other audio device and restart the search process. If this does not work right away, power off Party Splash™ Link and then power it back on. See [Operation > Pairing a Bluetooth® Device](#) for more information.
- Reset the Bluetooth connection on your audio device by turning Bluetooth off and back on. You can find this under the Bluetooth menu in the Settings for your phone or other audio device.

If this does not work, and you have connected to Party Splash™ Link before, find Party Splash™ Link in the list of available or previously connected devices in your audio device's Bluetooth menu, tap the "gear" or "i" icon located next to it and then select **Unpair** or **Forget**. Turn Party Splash™ Link off and back on and try pairing again once it reappears in your available devices list.

**Note:** If Party Splash™ Link has been paired to another audio device recently that is still within range, you may need to repeat this process with that audio device to fully disconnect.

**If you experience audio dropouts while playing music from a Bluetooth device,** this may be happening because your unit is trying to link to another speaker. This can occur if you power off a speaker that was linked to your unit or if you have just turned on your unit and it is in Multi-Sync™ mode. To stop the audio dropouts, exit Multi-Sync™ mode by double-pressing the **Bluetooth** button. Alternatively, you can wait for your unit to link to another speaker if there is one within range.

**If there is a delay in the audio signal between the left and right speakers when linked,** break the link by double-pressing the **Bluetooth** button, and pair them again following the instructions in the [Operation > Multi-Sync™](#) section.

# APPENDIX

## Technical Specifications

<b>Output Power</b>	30 W (peak)
<b>Frequency Response</b>	125 Hz - 15 kHz
<b>Drivers</b>	2" (63.5 mm) x2
<b>Water Resistance Class</b>	IP67
<b>Bluetooth Specifications</b>	<b>Profile:</b> A2DP, AVRCP <b>Bluetooth Version:</b> 5.0 <b>Range:</b> Up to 100 ft. (30.5 m) * <b>Stereo-Link™ Range:</b> Up to 50 ft. (15 m) between speakers
<b>Battery</b>	<b>Battery life:</b> Up to 10 hours ** <b>Charge Time:</b> Up to 4 Hours
<b>Dimensions</b> (width x depth x height)	7.76" x 4.69" x 11.65" 197 x 119 x 296 mm
<b>Weight</b>	3.57 lbs. 1.62 kg

Specifications are subject to change without notice.

\* Bluetooth and wireless reception and range are affected by walls, obstructions, and movement. For optimal performance, place the product so it is unobstructed by walls or furniture and is raised off the ground.

\*\* Battery life may vary based on temperature, age, and volume usage of product.

## Trademarks & Licenses

ION Audio is a trademark of inMusic Brands, Inc., registered in the U.S. and other countries.

The *Bluetooth* word mark and logos are owned by the Bluetooth SIG, Inc., and any use of such marks by ION Audio is under license.

App Store is a trademark of Apple Inc., registered in the U.S. and other countries.

Android and Google Play are registered trademarks of Google Inc. All other product names, company names, trademarks, or trade names are those of their respective owners.





[ionaudio.com](http://ionaudio.com)