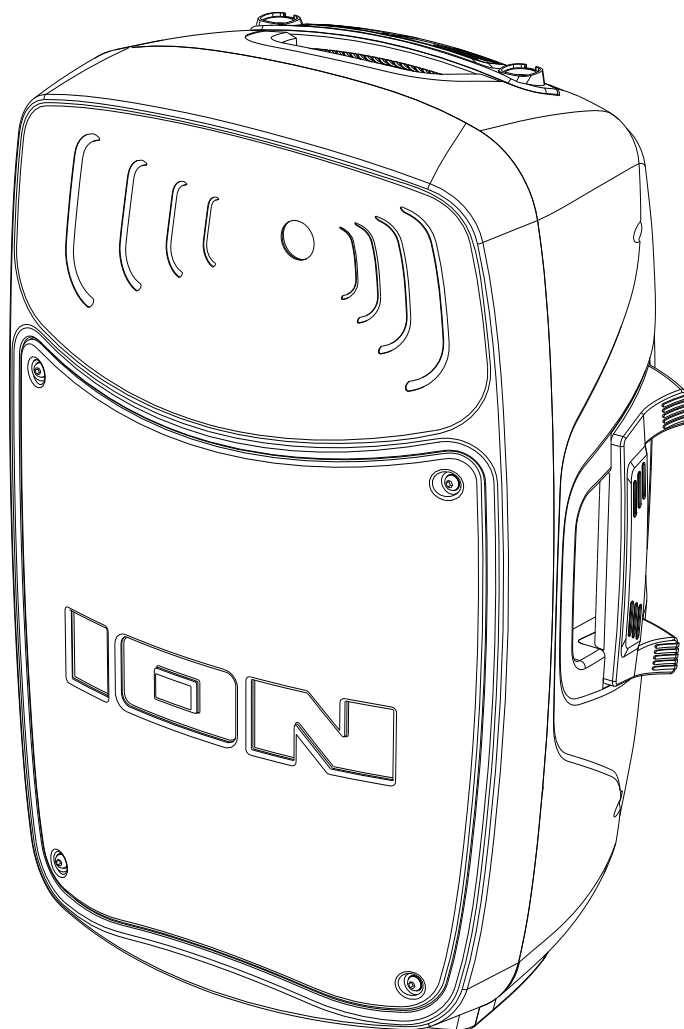


**ION**

**PRO GLOW™ ULTRA**



**User Guide**

English



[ionaudio.com/support](http://ionaudio.com/support)

# TABLE OF CONTENTS

<b>INTRODUCTION .....</b>	<b>3</b>
Box Contents.....	3
Support.....	3
<b>SETUP .....</b>	<b>4</b>
Quick Start.....	4
Connection Diagram .....	4
Stand Mounting .....	5
<b>FEATURES .....</b>	<b>6</b>
Rear Panel.....	6
<b>OPERATION.....</b>	<b>9</b>
Using the Control Knob .....	9
Pairing a Bluetooth® Device.....	10
Linking Two Speakers.....	11
USB Mode.....	12
Light Modes.....	13
App Control.....	14
<b>TROUBLESHOOTING .....</b>	<b>15</b>
<b>APPENDIX.....</b>	<b>16</b>
Technical Specifications.....	16
Trademarks & Licenses .....	17

# INTRODUCTION

Thank you for purchasing the Pro Glow™ Ultra. At ION, your entertainment is as important to us as it is to you. That's why we design our products with one thing in mind—to make your life more fun and more convenient.

## Box Contents

Pro Glow™ Ultra

IEC320 C13 Power Cable (5 ft / 150 cm)

Microphone with cable (8.2 ft / 250 cm)

Quickstart Guide

## Support

For the latest information about this product (documentation, technical specifications, system requirements, compatibility information, etc.) and product registration, visit [ionaudio.com](https://ionaudio.com).

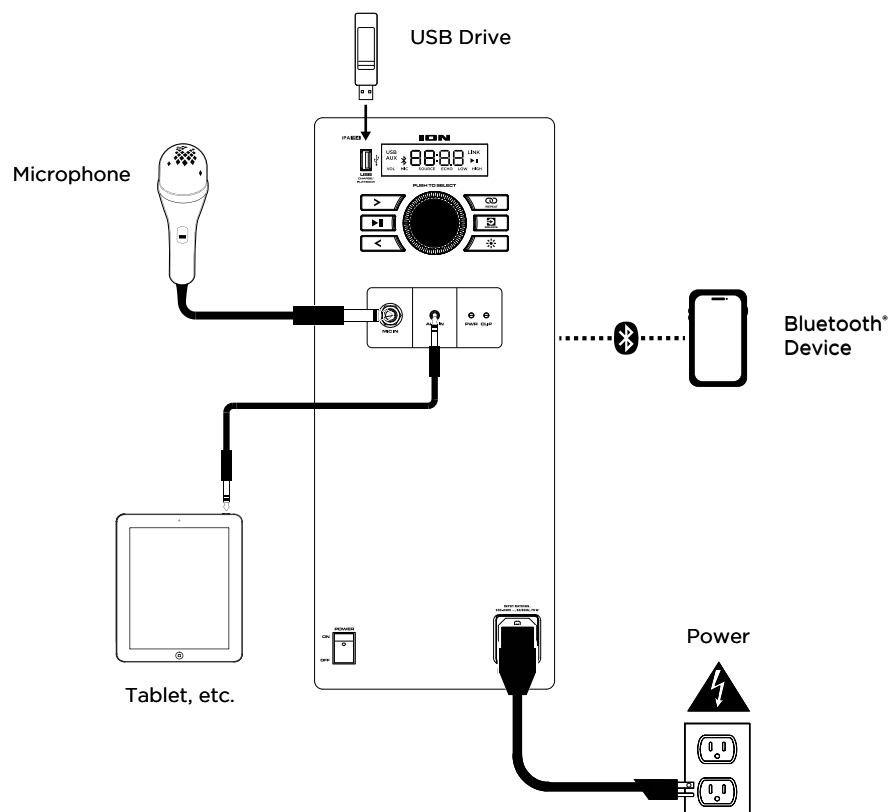
For additional product support, visit [ionaudio.com/support](https://ionaudio.com/support).

# SETUP

## Quick Start

1. Make sure all items listed in the [Introduction > Box Contents](#) are included in the box.
2. Read the **Safety & Warranty Manual** before using the product.
3. Study the [Setup > Connection Diagram](#).
4. Make sure all input devices (such as microphones, CD players, or digital media players) are turned off with their volume settings set to “zero.”
5. Connect all devices as shown in the Connection Diagram.
6. Switch everything on in the following order:
  - a. Audio input devices (e.g. microphones, instruments, CD players)
  - b. Pro Glow™ Ultra
7. When you are finished using Pro Glow™ Ultra, switch everything off in the following order:
  - a. Pro Glow™ Ultra
  - b. Audio input devices

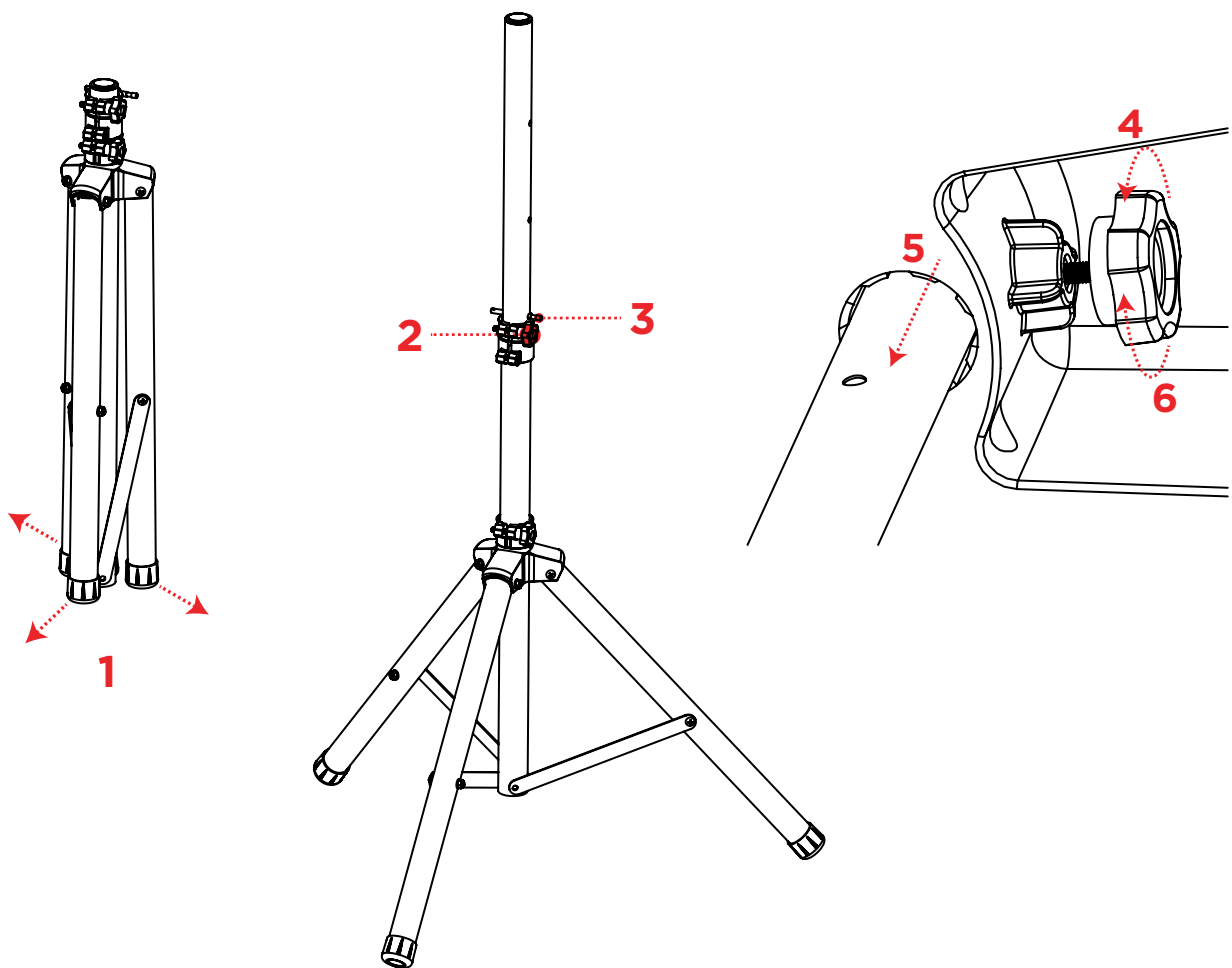
## Connection Diagram



## Stand Mounting

**Note:** Speaker stand not included, sold separately.

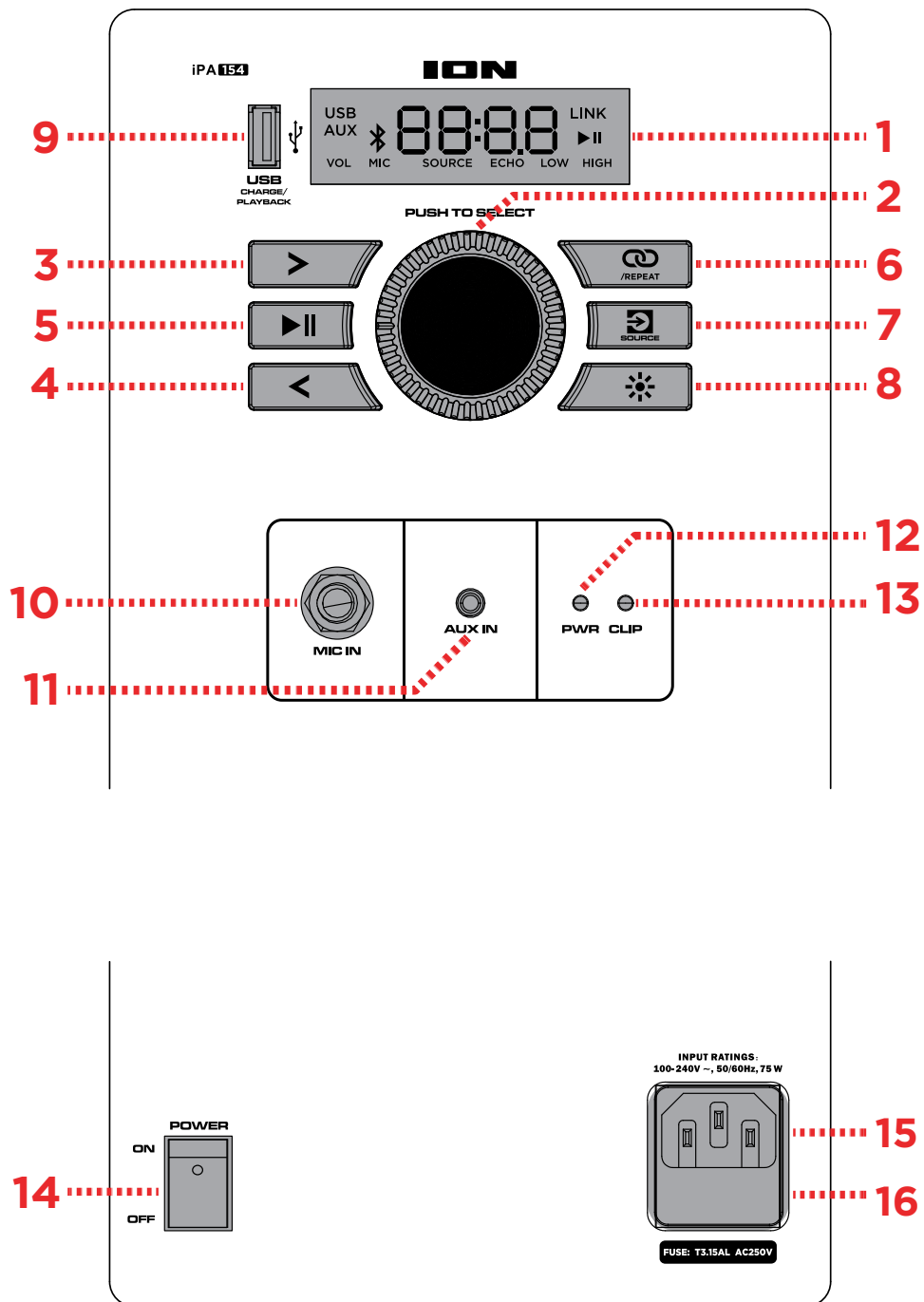
1. Fully extend the speaker stand tripod legs on a flat, stable surface.
2. Raise the mounting pole up to the appropriate height needed and tighten the side adjustment knob.
3. Insert the pin into the bottom pin-hole so the mounting pole stays at your set height.
4. On the Pro Glow™ Ultra, adjust the bottom knob counter-clockwise so the screw is not blocking the opening.
5. Line up the Pro Glow™ Ultra mounting hole with the speaker stand pole and place on the pole.
6. Tighten the mounting knob clockwise on Pro Glow™ Ultra to secure it to the pole.



# FEATURES

## Rear Panel

Click a control below to jump to that section.



## 1. Display

This screen shows information relevant to Pro Glow™ Ultra's current operation.



## 2. Control Knob

Push this knob to cycle between the following controls, as indicated on the **Display**, and then turn the knob to adjust the selected control:

- **VOL:** Adjusts the overall main volume of the loudspeaker (**0-30**).
- **MIC:** Adjusts the microphone input volume, independently of the other channels (**0-30**).
- **SOURCE:** Adjusts the source volume (Bluetooth, AUX, or USB), independently of the Mic channel (**0-30**).
- **ECHO:** Adjusts the amount of echo effect on the microphone (**0-10**).
- **LOW:** Increases or decreases the low frequency EQ for all channels (**-12 - 0 - 12**).
- **HIGH:** Increases or decreases the high frequency EQ for all channels (**-12 - 0 - 12**).

If the **Control Knob** is not moved for five seconds, the function will return to VOL.

Press and hold the **Control Knob** for five seconds to restore the default settings.

**Note:** For the best sound quality, set your input source volume to 100% and use the Source and Main Volume control of the speaker to adjust the volume.

## 3. Next Button

Press this button to skip to the next Bluetooth or USB track.

## 4. Previous Button

Press this button to return to the start of the current Bluetooth or USB track. Press the button again within one second to skip to the previous track.

## 5. Play / Pause Button

Press this button to start and stop Bluetooth or USB audio.

Press and hold this button to enable or disable the voice prompts.

## 6. Stereo-Link™ / Repeat Button

Press this button to link Pro Glow™ Ultra to another compatible speaker. See [Operation > Linking Two Speakers](#) for more information.

In USB mode, press this button to change the playback mode. See [Operation > USB Mode](#) for more information.

## 7. Source Button

Press this button to cycle between Bluetooth, Aux, and USB modes. The current mode will be shown on the **Display**.

## 8. Lights Button

Press this button to cycle between the five light modes, or to turn the lights off. See [Operation > Light Modes](#) for more information.

## 9. USB Charge / Playback Port

You can use this port for charging the USB device, such as a tablet or smartphone. To charge a device that is streaming music via Bluetooth, pause the music first and then wait for it to reconnect after the USB cable (not included) is inserted.

You can also connect a USB flash drive here to play music. See [Operation > USB Mode](#) for more information.

## 10. Mic In

Connect the included microphone to this input using the 1/4" (6.35 mm) cable.

## 11. Aux In

Connect a CD player, MP3 player, or other audio source to this 1/8" (3.5 mm) input.

## 12. Power LED

This LED will be lit when the unit is powered on.

## 13. Clip LED

This LED will flash red if the signal from the input jacks or audio source is clipping (distortion from an overly loud signal). If this happens, decrease the main volume or the source volume for the **Aux** or **Mic Inputs** (if a loud device is plugged into either) using the **Control Knob**.

## 14. Power Button

Turns Pro Glow™ Ultra on or off. When the power is on, the **Power LED** will be lit green.

## 15. Power Cable Input

Connect the included power cable here to power the unit.

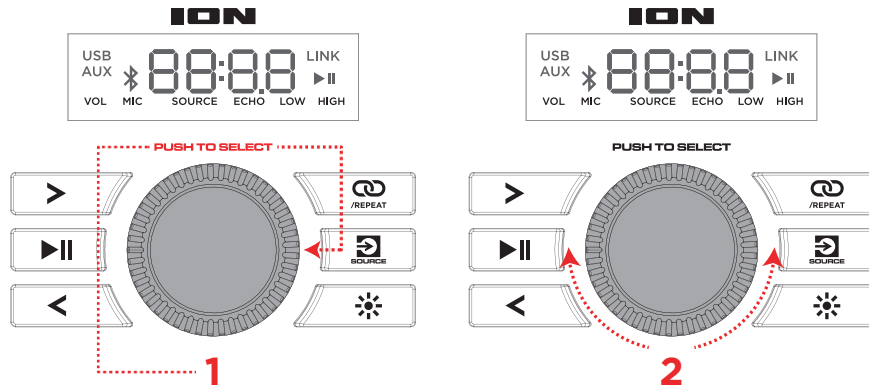
## 16. Fuse

If the unit's fuse is broken, remove the **fuse holder** and replace the broken fuse with one that has the correct rating (as indicated on the **fuse holder**). Using a fuse with an incorrect rating can damage the unit and/or fuse.



# OPERATION

## Using the Control Knob



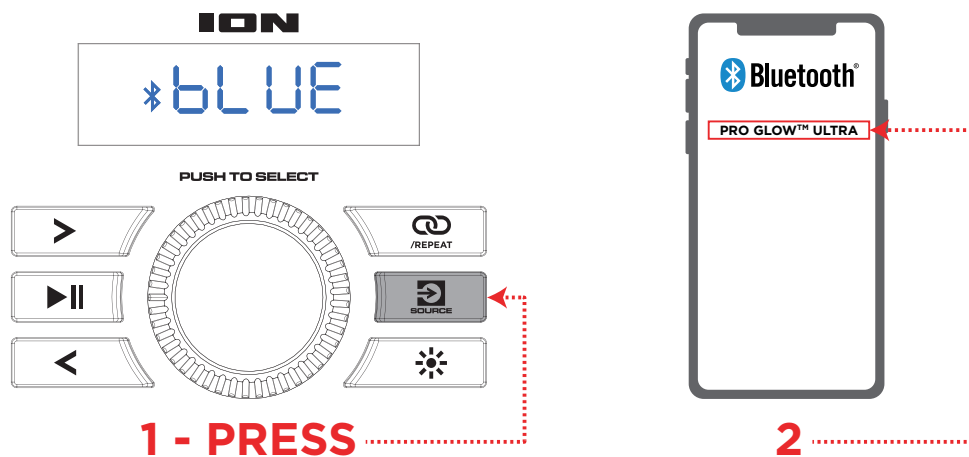
The **Control Knob** defaults to controlling the main volume for all channels. Press the **Control Knob** to toggle through different functions. Rotate the **Control Knob** to change the selected setting:

Press	Control	Rotate
1x	MIC	Adjust mic volume
2x	SOURCE	Adjust source ( <b>AUX, Bluetooth, USB</b> ) volume
3x	ECHO	Adjust mic echo
4x	LOW	Adjust low EQ
5x	HIGH	Adjust high EQ
6x	VOL	Adjust main volume

If there is no activity on the **Control Knob** for 5 seconds, the function will go back to main volume.

To factory reset the speaker to default settings, hold down the **Control Knob** for 5 seconds. The speaker will power cycle and the reset will be successful.

## Pairing a Bluetooth® Device



1. Turn on your Bluetooth device.
2. Power on Pro Glow™ Ultra. When the unit is first turned on, it will automatically enter Bluetooth pairing mode. If necessary, press the **Source** button to select Bluetooth mode. If voice prompts are enabled, you will hear “Bluetooth Pairing.”
3. Navigate to your Bluetooth device’s setup screen, find “**PRO GLOW ULTRA**” and connect. If voice prompts are enabled, you will hear “Bluetooth Connected.”

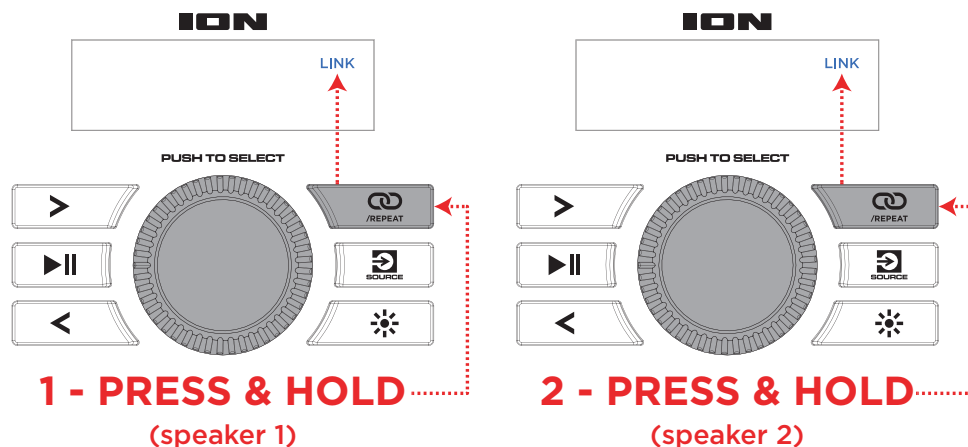
**Note:** If your Bluetooth device prompts for a pairing code, enter “0000”.

To disconnect the paired Bluetooth device, turn off or disconnect from your Bluetooth device.

**Tip:** If you would like to disable (or enable) the voice prompts, press and hold the **Play / Pause** button for five seconds.

## Linking Two Speakers

If you would like to play music from a Bluetooth device, you can first “link” two Pro Glow™ Ultras together in order to listen to your music in stereo. One Pro Glow™ Ultra will serve as the left speaker and the other will serve as the right speaker.



To link two Pro Glow™ Ultra speakers together:

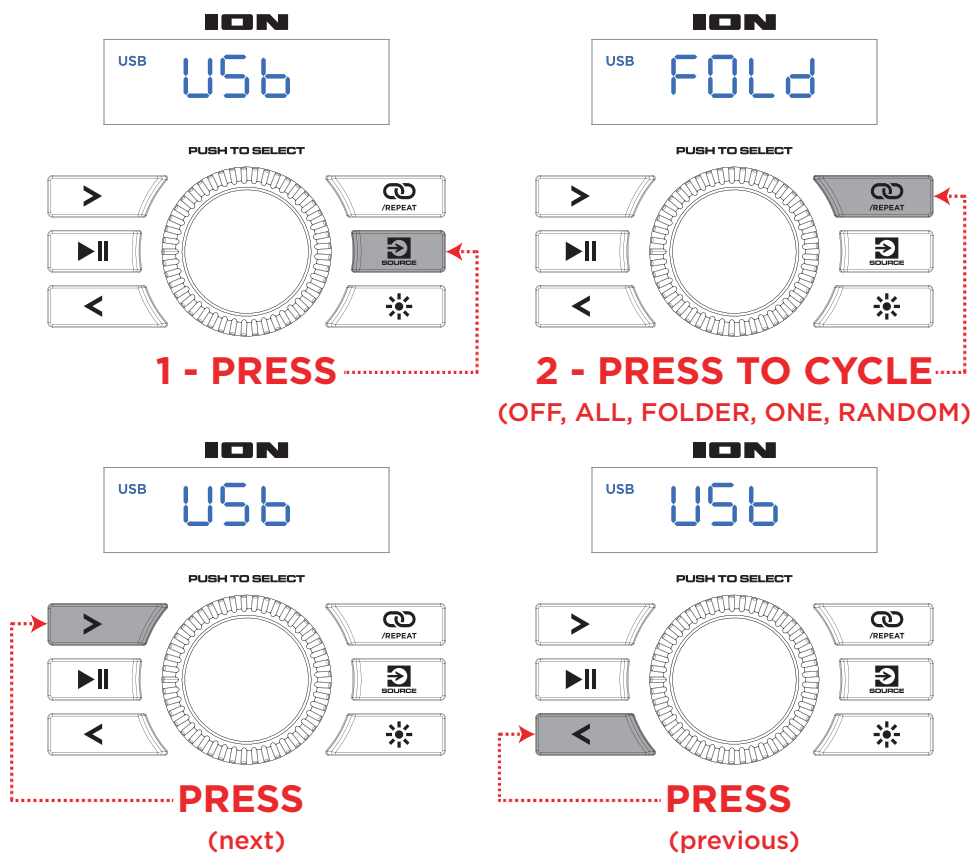
1. Press and hold the **Stereo-Link™ / Repeat button** on both speakers to enter Stereo-Link mode. You will hear a tone, and the word **LINK** will flash on each speaker's **Display** while they search for each other. Once a link has been established, the word **LINK** will remain on the **Display**.

**Note:** The linking process can take up to a minute to complete. The closer the two speakers are to each other, the quicker the link is established.

2. Once the two speakers are linked, press and release the **Source button** on either speaker to select Bluetooth mode and begin the Bluetooth pairing process. The speaker you use for Bluetooth pairing will serve as the primary speaker. On its **Display** screen, the Bluetooth icon will flash to indicate that Bluetooth pairing is in process.
3. Navigate to your Bluetooth device's setup screen, find Pro Glow™ Ultra and connect. When your Bluetooth device is connected, the Bluetooth icon will be lit solid on the primary speaker's **Display**, and you will be able to play audio from the Bluetooth device through your two linked speakers.
4. To disconnect two speakers or cancel linking between the two, double press the **Stereo-Link™ / Repeat button** on either speaker.

**Note:** Pro Glow™ Ultra is not wireless link compatible with previous ION Audio Pro Glow™ models.

## USB Mode



When a USB drive with compatible files is inserted into the **USB Charge/Playback Port**, Pro Glow™ Ultra will automatically switch to USB mode. If the USB drive has already been inserted and you are using another mode, press the **Source** button until USB mode is selected.

Pro Glow™ Ultra will automatically play the first compatible MP3 file. Files are played in alphabetical order of what is on the root level, then alphabetical by folder, and then alphabetical by track name. Media playback will stop when all media has been played on the USB drive.

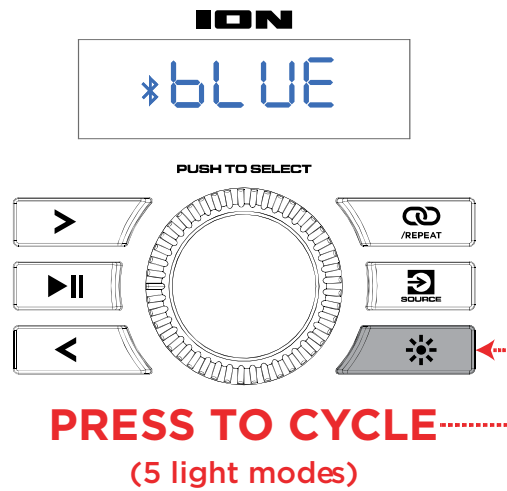
**Note:** The USB drive must have playable MP3 files for it to appear on the media panel's display.

Press the **Next** and **Previous** buttons to go to the next or previous track. Press and hold these buttons to fast forward or rewind within the track.

Press the **Stereo-Link™ / Repeat** button to cycle through the repeat/shuffle options (abbreviations will show on the display):

- Play the current USB track on repeat (**OnE**). This is the default mode when powered on.
- Play the tracks in random order (**rAn**).
- Play all the tracks on the USB drive on repeat (**ALL**).
- Play the current folder's tracklist on repeat (**FOLD**). The folder used is based on what song is playing when it is activated. For instance, if a song playing is on the root level, selecting FOLD will repeat only songs at the root level. If a song is in folder "A", then only songs in folder "A" will be repeated.

## Light Modes



Press the Light button to toggle between five modes for the LEDs on Pro Glow™ Ultra.

**Note:** For the best lighting effect, you may need to increase the volume of your connected device or input source.

- **Color Cycle:** The lights slowly glow and cycle through colors.
- **Beat Sync:** The lights change color and flash in reaction to the beat of the music.
- **Two-Tone Fade:** The lights fade between colors with the top two LEDs in one color and the bottom two in another color.
- **Rainbow Chase Beat-Sync:** The lights will move clockwise around the woofer like a rainbow. As the music changes in volume, the speed will increase or decrease.
- **Solid:** The lights will all be lit in a single color (by default, blue). You can change the color using the ION Sound Control™ app. There are the 15 colors that can be selected from the ION Sound Control™ app.
- **Off:** All LEDs are off.

## App Control

**IMPORTANT:** To ensure the best possible experience with the app, use the most current Android OS or iOS on your device.

Follow these steps to download the free app on your device:

1. Open the Apple App Store or Google Play on your device. Then, search for the **ION Sound Control™** app.
2. Follow the on-screen instructions to download and install the app. Once downloaded, the **ION Sound Control™** app will appear on your device's home screen.
3. Connect your device to Pro Glow™ Ultra via Bluetooth. See [Operation > Pairing a Bluetooth® Device](#) to learn how to do this.
4. Open the ION Sound Control™ app. If prompted, allow the app to access your device's Bluetooth and Location Services.
5. Follow the steps on screen to find and connect to your Pro Glow™ Ultra. Once connected, you can control various functions of the speaker, such as:
  - **Source Selection:** Select the source to use (Bluetooth, USB, or Aux).
  - **Volume:** Adjust the speaker's volume.
  - **Source Volume:** Adjust the incoming volume for the Bluetooth, USB, or Aux sources.
  - **Mic Volume:** Adjust the volume of the Mic input.
  - **EQ:** Adjust the speaker's equalization.
  - **Voice Prompts:** Enable or disable the voice prompts.
  - **Lights:** Change the light modes.
  - **Mic Echo:** Adjust the amount of echo applied to the microphone.
  - **Over-The-Air Firmware Updates:** Stay up to date with the latest firmware installation.
  - **Support:** Visit [ionaudio.com](http://ionaudio.com), contact Technical Support, and view Warranty information and Frequently Asked Questions.

# TROUBLESHOOTING

**If the sound is distorted:** Try lowering the volume control of your sound source, musical instrument, or microphone. Also, try to reduce the overall volume of Pro Glow™ Ultra using the **Control Knob**.

**I hear a hum when cables are connected:**

- Disconnect cables from the input jacks to see if it's a faulty cable.
- Make sure the signal cables are not placed near power cables.
- Connect all audio equipment power cables to outlets which share a common ground.

**If there is a high-pitched whistling noise when using microphones:** This is probably feedback. Point the microphone away from the speaker.

**If you can't hear the microphone over the music volume:** Turn down the music volume from your source.

**If there is too much bass:** Try adjusting the tone or EQ control on your sound source or on Pro Glow™ Ultra via the ION Sound Control™ App to lower the bass level. This will allow you to play the music louder before clipping (distortion) occurs.

**If you cannot connect your audio device to Pro Glow™ Ultra via Bluetooth:**

- Have your audio device (e.g., smartphone or tablet) and Pro Glow™ Ultra as close together as possible while trying to connect. Make sure both the audio device and Pro Glow™ Ultra are unobstructed by walls, furniture, etc.
- Double-press the Bluetooth button to disconnect Pro Glow™ Ultra from any other audio device and restart the search process. If this does not work right away, power off Pro Glow™ Ultra and then power it back on. See [Operation > Pairing a Bluetooth® Device](#) for more information.
- Reset the Bluetooth connection on your audio device by turning Bluetooth off and back on. You can find this under the Bluetooth menu in the Settings for your phone or other audio device.

If this does not work, and you have connected to Pro Glow™ Ultra before, find Pro Glow™ Ultra in the list of available or previously connected devices in your audio device's Bluetooth menu, tap the "gear" or "i" icon located next to it and then select **Unpair** or **Forget**. Turn Pro Glow™ Ultra off and back on and try pairing again once it reappears in your available devices list.

**Note:** If Pro Glow™ Ultra has been paired to another audio device recently that is still within range, you may need to repeat this process with that audio device to fully disconnect.

# APPENDIX

## Technical Specifications

<b>Output Power</b>	300 W (peak)
<b>Speakers</b>	<b>Low Frequency:</b> 12.0" (305 mm) woofer <b>High Frequency:</b> 1.0" (25.4 mm) tweeter
<b>Bluetooth *</b>	<b>Profile:</b> A2DP, AVRCP <b>Bluetooth Version:</b> 5.0 <b>Range:</b> Up to 100 ft. (30.5 m) <b>Stereo-Link™ Range:</b> Up to 85 ft. (29.5 m) between speakers
<b>USB</b>	<b>Audio:</b> Music playback from USB drive <b>Supported File System:</b> FAT32 <b>Supported File Type:</b> MP3 <b>Maximum File Size:</b> 4 GB <b>Maximum USB Drive Size:</b> 128 GB
<b>Power</b>	<b>Cable:</b> IEC C13 <b>Input Voltage:</b> 100–200 V~, 60 Hz, 75 W <b>Fuse:</b> T3.15AH AC250V
<b>Dimensions</b> (width x depth x height)	15.6" x 12.6" x 23.3" 396 mm x 320 mm x 591 mm
<b>Weight</b>	19.95 lbs. 9.05 kg

Specifications are subject to change without notice.

\* Bluetooth and wireless reception and range are affected by walls, obstructions, and movement. For optimal performance, place the product so it is unobstructed by walls or furniture and is raised off the ground.



## Trademarks & Licenses

ION Audio is a trademark of inMusic Brands, Inc., registered in the U.S. and other countries.

The *Bluetooth* word mark and logos are owned by the Bluetooth SIG, Inc., and any use of such marks by ION Audio is under license.

App Store is a trademark of Apple Inc., registered in the U.S. and other countries.

Android and Google Play are registered trademarks of Google Inc. All other product names, company names, trademarks, or trade names are those of their respective owners.



[ionaudio.com](http://ionaudio.com)