



Superior LP

Quickstart Guide	English (3 – 9)
Guía de inicio rápido	Español (10 – 17)
Guide d'utilisation rapide	Français (18 – 25)
Guida rapida	Italiano (26 – 33)
Schnellstart-Anleitung	Deutsch (34 – 42)
Snelstartgids	Nederlands (43 – 50)

Quickstart Guide (English)

Box Contents

- Superior LP
- 45 RPM Adapter
- Quickstart Guide
- Safety & Warranty Manual

Support

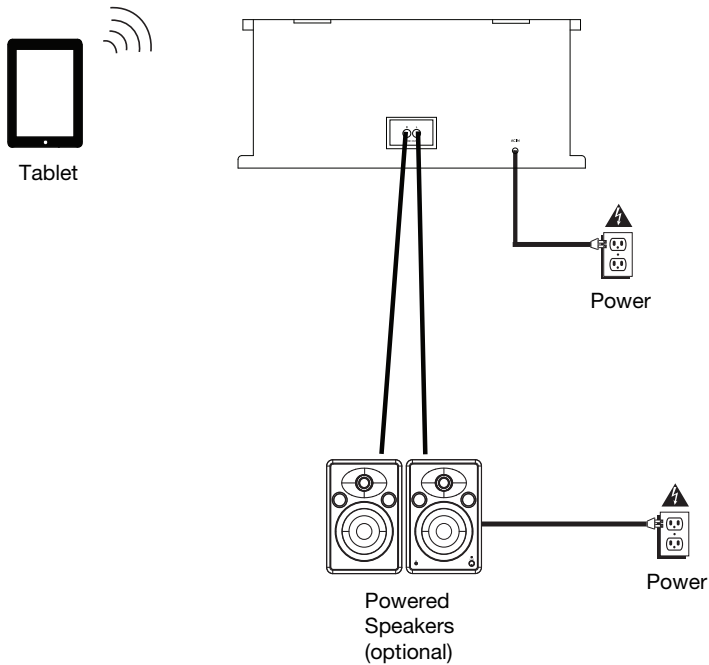
For the latest information about this product (system requirements, compatibility information, etc.) and product registration, visit ionaudio.com.

- Do not stand it on a thick pile carpet, or install it in a place with poor air flow.
- Place the unit on a flat even surface, away from vibrating sources.

Quick Setup

Connection Diagram

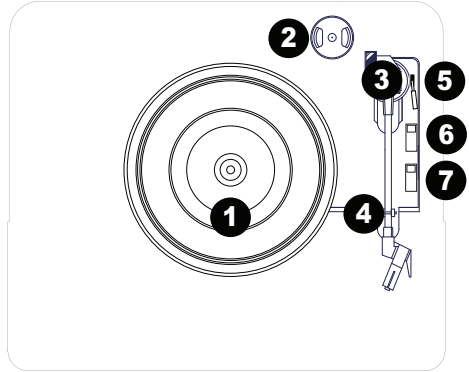
Items not listed under the **Box Contents** are sold separately.



Features

Top Panel

1. **Platter:** Place your record here.
2. **45 RPM Adapter Holder:** Holds the included 45 RPM adapter. When not using the adapter, please place it in this holder.
3. **Tonearm:** The fixed tonearm can be raised and lowered by hand, or by pressing the raise / lower lever.
4. **Arm Clip:** This specially designed arm clip secures the tonearm while at rest or when not in use. The arm clip has been designed to remain in the up position while unlocked.
5. **Raise / Lower Lever:** Raises and lowers the tonearm.
6. **33 / 45 / 78 Switch:** This switch controls the speed of the turntable platter.
Note: For best results when playing 78 RPM vinyl records, use a 78 stylus (sold separately). Only use a 78 stylus with 78 RPM vinyl records.
7. **Autostop switch:** This switch turns autostop on or off. When autostop is on, the platter will start spinning when the tonearm is placed over the record and stop spinning when the record has reached the end. When Autostop is off, the platter will always spin regardless of the position of the tonearm.

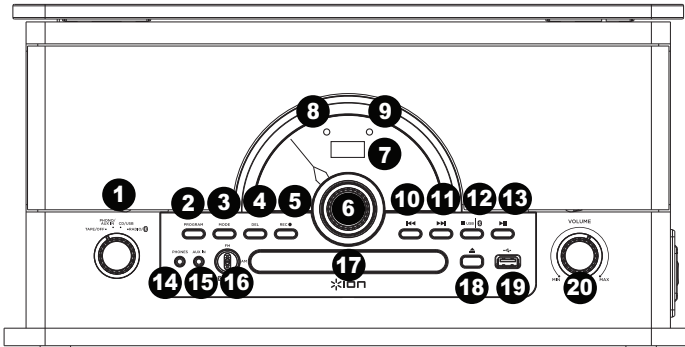


IMPORTANT: Remove the plastic cartridge cover (needle cover) before operating the turntable.

***WARNING:** The RCA outputs are LINE level. Please only connect these to LINE level inputs. You may damage your receiver if you plug in a LINE level device into a PHONO level input.

Note: If your vinyl record stops before it reaches the end of the music, turn Autostop to the off position for this particular record. This is generally recommended for 45 RPM records.

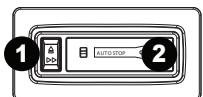
Front Panel



1. **Function Selector:** Turn this dial to select which source to use: Tape/Off, Phono/Aux In, CD/USB, or Radio/Bluetooth.
2. **Program Button:** Press this button to program CD tracks to play in a certain order.
3. **Mode:** Selects how the tracks on the USB flash drive or CD will be played back: “ONE” (plays the same track repeatedly), “FOL” (plays through the same folder repeatedly) “ALL” (plays through all tracks repeatedly), or “NOR” (normal playback order without repeating).
4. **Delete Button:** Press this button to delete tracks or folders from a USB flash drive.
5. **Rec:** Press this button to go to USB recording mode if a USB flash drive is connected.
6. **Radio Frequency Selector:** Turn this dial to select the AM or FM radio station frequency.
Note: EU units can only select FM stations.
7. **Display:** Shows the current mode and track number.
8. **Power LED:** This LED illuminates when the power is turned on.
9. **Bluetooth LED:** This LED flashes when in pairing mode and is solid when connected to a Bluetooth speaker.
10. **Skip Backward:** Press this button to go to the previous USB file, Bluetooth track, or CD track.
Note: When listening to Bluetooth sources, pressing this button may go to another playlist or music genre in some apps.
11. **Skip Forward:** Press this button to go to the next USB file, Bluetooth track, or CD track.
Note: When listening to Bluetooth sources, pressing this button may go to another playlist or music genre in some apps.
12. **Stop/USB/Bluetooth:** Press this button to end recording to the USB flash drive. Press this button to stop playback of a USB track, CD track, or Bluetooth track. With the Function Selector set to USB/CD, press and hold this button for 2 seconds to switch between CD mode and USB mode. With the Function Selector set to Radio/Bluetooth, press and hold this button for 2 seconds to disconnect from a paired Bluetooth device.
13. **Play/Pause:** Press and release this button to play/pause tracks from CD, USB, and Bluetooth sources.
14. **Headphone Output:** When headphones are connected, the internal speaker is muted.
15. **Aux In:** Connect the output of a line-level device to this input, such as from a smartphone, media player, tablet, etc.
16. **FM/AM/Bluetooth (FM/Bluetooth for EU units):** Toggle this to switch from FM, AM, and Bluetooth sources.
Note: EU units can only select between FM and Bluetooth.
17. **CD Tray:** Place a CD here. This unit is designed to play commercially available CDs, properly burned and finalized CD-Rs, CD-RW’s, and MP3 CDs.
18. **Open/Close:** Press this button to open or close the CD tray.
19. **USB Port:** Playback tracks from your USB flash drive or record songs to the USB flash drive.
20. **Volume:** Adjusts the sound level for the internal speakers and the headphone output.

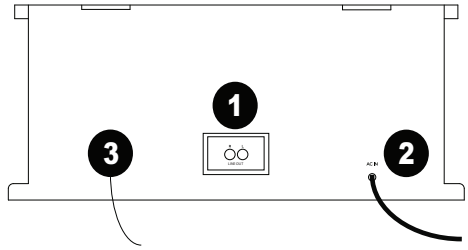
Side Panel

1. **Cassette Eject / Fast Forward (FF) Button:** Press this button to eject the tape. Press and hold the button to fast forward through the tape.
2. **Cassette Door:** Insert a cassette tape here.



Rear Panel

1. **Line Output:** Connect this output to a receiver, amplifier, or powered speakers.
Note: Superior LP's volume control will not adjust the volume when the line output is in use.
2. **Power Input:** The integrated power cable is connected here.
3. **FM Antenna:** Adjust this wire for better FM radio reception. For AM reception (US/CA units only), rotate the unit until the best reception is found.



Recording

Recording from a CD

1. Set the **Function** selector to **CD/USB**.
2. Insert the USB flash drive into the USB port.
3. Press the **Record** button. "REC" will flash on the display for 3 seconds and then show "ONE". Press the **Backward/Forward** button to select to record "ONE" track or "ALL" tracks and then press the **Record** button to confirm.
4. Press the **Backward/Forward** button to select the track and then press the **Record** button to confirm. "REC" and "Track No." (track number) will be alternately displayed to indicate the track is being recorded.
5. Press the **Stop** button to stop recording.
Note: Some original CDs may not be recordable if they are copy-protected.

Recording from a MP3 Disc

1. Set the **Function** selector to **CD/USB** and insert the MP3 disc in the CD tray.
2. Insert the USB flash drive into the USB slot.
3. Press the **Record** button. "REC" will flash on the display for 3 seconds and will then show "ONE".
4. Press the **Backward/Forward** button to record "ONE" track, "FOL" (a folder) or "ALL" tracks. Press the **Record** button to confirm. "REC", "folder number", and "number of total tracks" will be alternately displayed, indicating that it is being recorded.
5. Press the **Stop** button to stop recording.

Recording from the Turntable

1. Set the **Function** selector to **Phono/Aux In**.
2. Insert the USB flash drive into the USB slot.
3. Lower the tonearm to the desired location on the record.
4. Press the **Record** button. "REC" will flash on the display for 3 seconds and then, "REC" and "PHO" will be alternately displayed to indicate that it is being recorded.
5. Press the **Stop** button to stop recording.

Recording from the Radio (FM Band only)

1. Set the **Function** selector to **Radio/Bluetooth**.
2. Insert the USB flash drive into the USB slot.
3. Select the FM radio station using the **Frequency Selector** dial.
4. Press the **Record** button.
5. Press the **Stop** button to stop recording.

Recording from a Cassette

1. Insert the USB flash drive into the USB slot.
2. Set the **Function** selector to **Tape/Off**.
3. Insert the tape with the thicker side of the tape facing to the right of tape tray. The cassette will play automatically.
4. Press the **Record** button. "REC" will flash on the display for 3 seconds and then, "REC" and "TAP" will be alternately displayed to indicate that it is being recorded.
5. Press the **Stop** button to stop recording.

Recording from the Aux Input

1. Insert the USB flash drive into the USB slot.
2. Set the **Function** selector to **Phono/Aux In**.
3. Connect your external audio device and start its playback.
4. Press the **Record** button. "REC" will flash on the display for 3 seconds and then "REC" and "AUX" will be alternately displayed to indicate that it is being recorded.
5. Press the **Stop** button to stop recording.

Bluetooth Playback

1. Set the **Function** selector to **Radio/Bluetooth** and set the **FM/AM/Bluetooth** switch (**FM/Bluetooth** on EU units) to the Bluetooth position. The Bluetooth indicator will flash.
2. The pairing indicator will flash quickly. When pairing, remain within 10 meters (33 feet) of Superior LP.
3. Turn on Bluetooth on your phone or tablet to pair. Select "Superior LP" as the Bluetooth device.
4. When successfully paired and connected, the Bluetooth indicator will become solid.
5. To disconnect from the currently paired Bluetooth device and pair to another Bluetooth device, hold the **Stop/USB/Bluetooth** button for 2 seconds.
Note: If your Bluetooth device prompts for a pairing code, enter "0000".

Tape Playback

1. Set the **Function** selector to **Tape/Off**.
2. Insert the tape with the thicker side of the tape facing to the right of tape tray. The cassette will play automatically.
3. Push the **Eject/Fast Forward** button 1/2 way down to toggle between fast forward and playback. Release the **FF** button to start playback.
4. Push the **Eject/Fast Forward** button completely down to eject the tape.

Turntable Playback

Before use, please make sure to:

- Remove the stylus protector. Reconnect the protective cap on the stylus when not in use.
 - Ensure the tonearm is free to move from the tonearm rest. Lock the tonearm in place again when not in use.
1. Set the **Function** selector to **Phono/Aux In** and lift the turntable dust cover.
 2. Place a record on the turntable, over the central spindle on the slipmat.
 3. Set the **Speed** selector to 33, 45, or 78 rpm depending on the record.
 4. Lift the tonearm from the tonearm rest by using the Raise Lever and slowly move it over the record. The turntable platter will start turning.
 5. Place the tonearm on the desired location of the record.
 6. Gently lower the tonearm onto the record to start playing.
 7. When the record is finished playing, the tonearm will automatically stop. Lift the tonearm from the record and put it back on the rest.
 8. To manually stop the record, lift the tonearm from the record and return it to the rest.
Note: Do not stop or turn the platter manually. Moving or jarring the turntable without securing the tonearm clamp could result in damage to the tonearm.

Auto-stop Switch Operation

Certain types of records may have an auto-stop area outside the pre-set limit, so the turntable may stop before the last track finishes. If this occurs, set the **Auto-stop** switch to the Off position. This allows the record to play to the end, but it will not stop automatically. You must manually raise the tonearm and place it back in the rest and then turn the power OFF to stop the turntable from spinning.

Aux In Playback

1. Set the **Function** selector to **Phono/Aux In**.
2. Connect an 1/8" (3.5 mm) stereo audio cable (not included) from the AUX IN on the front panel of Superior LP to the line output or headphone output of your external audio device to be able to listen to the external source through Superior LP's internal speakers.
3. Adjust the volume on Superior LP to the desired level.

Note: If the line output of your external device is connected, you only need to adjust the system's volume control. If your external device's headphone output is connected, you may need to adjust the volume control on both your external device and Superior LP to achieve the desired volume.

CD Playback

Standard audio CDs and data CDs can be used. The following file types are playable from data CDs:

- MP3
- WAV
- WMA

Note: If a CD contains more than 999 files in a folder, the files above 999 will not appear correctly on the display. Arrange your files into folders with a maximum of 999 files per folder.

Loading and Unloading a CD

1. Set the **Function** selector to **CD/USB**.
2. Open the disc tray by pressing the CD door **Open/Close** button.
3. When the disc tray has opened, carefully place the CD in the tray with the label facing up. Position smaller discs in the center of the CD tray.
4. Close the disc tray. The total number of tracks on the CD will appear on the LED display and will play automatically.

CD Repeat

1. To listen to the same track repeatedly when playing back a CD, press the **Mode** button once. The LED display will show "ONE".
2. To play the entire disc repeatedly, press **Mode** twice. The LED display will show "ALL".
3. To cancel repeat play, press the **Stop** button.

Programming CD Track Playback Order

Follow these instructions to program the playback order for tracks on a CD.

Note: The CD playback must be stopped before programming track order.

1. Press the **Program** button.
2. Press the **Backward/Forward** button to select the location in which the track should be stored, i.e. track 03.
3. Press the **Program** button. The first programmed selection is now stored in the programmed memory.
4. To listen to a programmed track, press the **Play/Pause** button. The CD will start playing at the beginning of the first programmed track.
5. To clear the programmed memory, while the disc is playing, press the **Stop** button twice.

USB Flash Drive Playback

The following file types are playable from USB flash drives:

- AAC/M4A
- AIFF/AIF
- MP3
- WAV
- WMA

To playback a file:

1. Set the **Function** selector to **CD/USB**.
2. Connect the USB flash drive to the USB port.
3. Press and hold the **Stop/USB/Bluetooth** button for 2 seconds to switch to USB mode. The total number of tracks will be shown on the display and will begin playing automatically.
4. Press the **Stop** button to stop playing.

Note: Please note that the unit can only read FAT32 format USB flash drives that are 32GB or less.

Note: If a USB flash drive contains more than 999 files in a folder, the files above 999 will not appear correctly on the display. Arrange your files into folders with a maximum of 999 files per folder.

Listening to the Radio

1. Set the **Function** selector to the **Radio/Bluetooth** position.
2. Select the desired frequency (AM or FM) using the **FM/AM/Bluetooth** switch (**FM/Bluetooth** on EU units).
Note: EU units only can select FM.
3. Select the desired radio station by turning the **Tuning** knob.
4. Adjust the volume to the desired level.
5. When finished listening to the radio, set the **Function** selector to the OFF position to turn off the radio.

Note: The receiver has a built-in FM antenna hanging at the rear cabinet. This wire should be fully uncoiled and extended for best reception.

Technical Specifications

Speaker Output Power	2W + 2W
Frequency Response	60-20,000 Hz
Motor	DC servo motor
Drive System	Belt drive
Speed	33-1/3, 45, 78 RPM
Output Level	500 mV @ 1 kHz
Impedance	4 ohm
Cartridge Type	Ceramic stereo cartridge
Supported Data CD File Types	AAC/M4A, AIFF/AIF, MP3, WAV, WMA
Supported USB Flash Drive File Types	MP3, WAV, WMA
Recorded MP3 File Format	192 kB/s, 44.1 kHz
Voltage	120V AC, 60 Hz (US/CA) 230V AC, 50 Hz (EU)
Power Consumption	20W
Dimensions (width x depth x height)	18.5" x 15" x 9.6" 47 cm x 38.1 cm x 24.3 cm
Weight	18.9 lbs; 8.6 kg

Specifications are subject to change without notice.

** Bluetooth range is affected by walls, obstructions, and movement. For optimal performance, place the product in the center of the room so it is unobstructed by walls, furniture, etc.*

Trademarks and Licenses

ION Audio is a trademark of ION Audio, LLC, registered in the U.S. and other countries.

The *Bluetooth* word mark and logos are owned by the Bluetooth SIG, Inc. and any use of such marks by ION Audio is under license.

All other product or company names are trademarks or registered trademarks of their respective owners.

Guía de inicio rápido (Español)

Contenido de la caja

Superior LP
Adaptador para 45 rpm
Guía de inicio rápido
Manual sobre la seguridad y garantía

Soporte

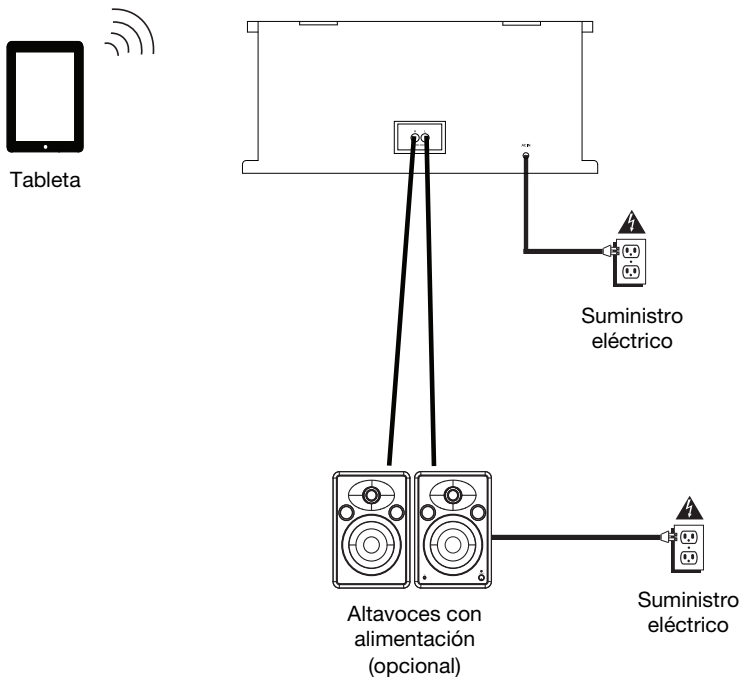
Para obtener la información más reciente acerca de este producto (requisitos de sistema, información de compatibilidad, etc.) y registrarlo, visite ionaudio.com:

- No lo apoye sobre una alfombra gruesa o en un lugar con poco flujo de aire.
- Coloque la superficie sobre una superficie plana y pareja, alejada de fuentes de vibraciones.

Instalación rápida

Diagrama de conexión

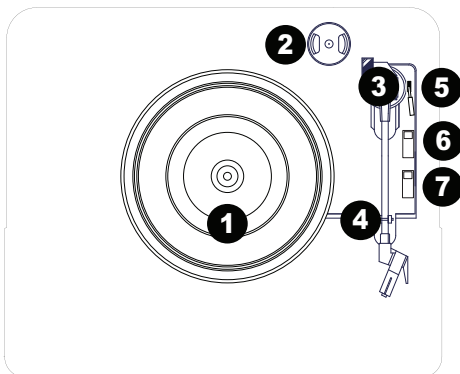
Los elementos que no se enumeran en **Contenido de la caja** se venden por separado.



Características

Modo vinilo

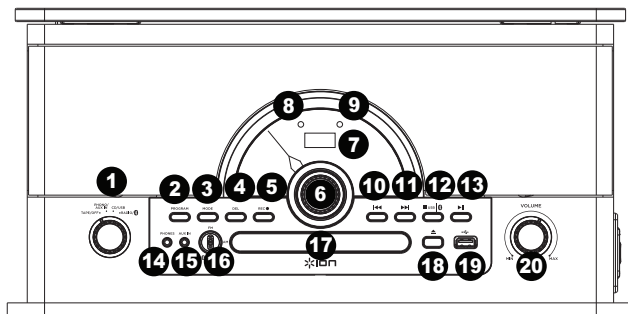
1. **Plato:** Coloque aquí su disco.
2. **Soporte del adaptador para 45 rpm:** Sostiene el adaptador para 45 RPM incluido. Cuando no use el adaptador, póngalo en este soporte.
3. **Brazo:** El brazo fijo se puede subir y bajar a mano o presionando la palanca de subir / bajar.
4. **Clip del brazo:** Este clip diseñado especialmente fija el brazo mientras está en reposo o no se usa. El clip ha sido diseñado para que permanezca hacia arriba mientras está desbloqueado.
5. **Palanca de subir / bajar:** Sube y baja el brazo.
6. **Conmutador de 33 / 45 / 78:** Este conmutador controla la velocidad del plato del giradiscos.
Nota: Para obtener los mejores resultados al reproducir discos de vinilo de 78 RPM, use una púa para 78 (que se vende por separado). Use sólo una púa para 78 con los discos de vinilo de 78 RPM.
7. **Interruptor de parada automática:** Este interruptor activa y desactiva la parada automática. Cuando la parada automática está activada, el plato comienza a girar cuando el brazo se coloca sobre el disco y se detiene cuando llega al final del mismo. Si está desactivada, el plato gira siempre, independientemente de la posición del brazo.
Nota: Si su disco de vinilo se detiene antes de llegar al final de la música, gire Autostop a la posición de desactivado para este disco en particular. Esto se recomienda en general para los discos de 45 RPM.



IMPORTANTE: Retire la cubierta plástica de la cápsula (cubierta de la púa) antes de hacer funcionar el giradiscos.

***ADVERTENCIA:** Las salidas RCA son para nivel de LÍNEA. Conéctelas sólo a las entradas de nivel de línea (LINE). Puede dañar el receptor si enchufa un dispositivo de nivel de línea en una entrada de nivel fonográfico (PHONO).

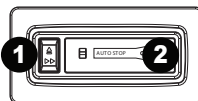
Panel frontal



1. **Selector de función:** Gire este cuadrante para seleccionar la fuente a utilizar: cinta/apagado, entrada fonográfica/auxiliar, CD/USB o radio/Bluetooth.
2. **Botón de programa:** Pulse este botón para programar la reproducción de pistas de CD en un determinado orden.
3. **Modo:** Seleccione la manera en la que se reproducirán las pistas en la unidad de memoria USB o CD: "ONE" (repite la misma pista), "FOL" (reproduce el contenido de la misma carpeta de forma repetida) "ALL" (reproduce todas las pistas de forma repetida) o "NOR" (orden de reproducción normal sin repeticiones).
4. **Botón de eliminación:** Pulse este botón para eliminar pistas o carpetas de la unidad de memoria USB.
5. **Grabación:** Pulse este botón para entrar al modo de grabación de USB si está conectada una memoria flash USB.
6. **Selector de frecuencias de radio:** Gire este cuadrante para seleccionar la frecuencia de estación de radio AM o FM.
Nota: Las unidades de la UE solo pueden seleccionar estaciones de FM.
7. **Pantalla:** Muestra el modo y número de pista actuales.
8. **LED de encendido:** Este LED se ilumina cuando la unidad está encendida.
9. **LED de Bluetooth:** Este LED parpadea en modo de apareamiento y permanece encendido cuando se conecta a un altavoz Bluetooth.
10. **Pista anterior:** Pulse este botón para pasar al archivo USB o pista de Bluetooth o CD anterior.
Nota: Al escuchar de fuentes Bluetooth, pulsar este botón en algunas aplicaciones puede hacer que vaya a otra lista de reproducción o género musical.
11. **Pista siguiente:** Pulse este botón para pasar al archivo USB o pista de Bluetooth o CD siguiente.
Nota: Al escuchar de fuentes Bluetooth, pulsar este botón en algunas aplicaciones puede hacer que vaya a otra lista de reproducción o género musical.
12. **Detener/USB/Bluetooth:** Pulse este botón para finalizar la grabación al dispositivo de memoria USB. Pulse este botón para detener la reproducción de una pista de USB, CD o Bluetooth. Con el selector de función en la posición USB/CD, mantenga pulsado este botón durante dos segundos para alternar entre el modo CD y el modo USB. Con el selector de función en la posición radio/Bluetooth, mantenga pulsado este botón durante dos segundos para desconectar el dispositivo Bluetooth apareado.
13. **Play/Pause (Reproducir/Pausa):** Pulse y suelte este botón para reproducir/poner en pausa las pistas de fuentes de CD, USB y Bluetooth.
14. **Salida para auriculares:** Cuando se conectan auriculares, el altavoz interno se silencia.
15. **Entrada auxiliar:** Conecte a esta entrada la salida de un dispositivo de nivel de línea, como por ejemplo un teléfono inteligente (smartphone), reproductor de medios, tableta, etc.
16. **FM/AM/Bluetooth (FM/Bluetooth para unidades de la UE):** Conmute este interruptor para alternar entre fuentes de FM, AM y Bluetooth.
Nota: Las unidades de la UE solo pueden alternar entre FM y Bluetooth.
17. **Bandeja de CD:** Coloque un CD aquí. Esta unidad está diseñada para reproducir CD que están disponibles comercialmente y CD-R, CD-RW y CD de MP3 que hayan sido grabados y finalizados correctamente.
18. **Abrir/Cerrar:** Pulse este botón para abrir o cerrar la bandeja de CD.
19. **Puerto USB:** Reproduzca pistas desde su unidad flash USB o grabe canciones en la unidad flash USB.
20. **Volumen:** Ajusta el nivel de sonido de los altavoces internos y la salida para auriculares.

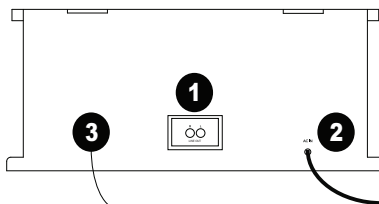
Panel lateral

1. **Botón para eyectar casete / avance rápido (FF):** Pulse este botón para eyectar la cinta. Mantenga pulsado el botón para avanzar rápidamente por la cinta.
2. **Ranura para cassetes:** Inserte aquí un casete.



Panel trasero

1. **Salida de línea:** Conecte esta salida a su receptor, amplificador o altavoces alimentados.
Nota: El control de volumen superior del LP no ajustará el volumen cuando se esté utilizando la salida de línea.
2. **Entrada de corriente:** El cable de corriente integrado se conecta aquí.
3. **Antena de FM:** Ajuste de cable para una mejor recepción de radio FM. Para mejorar la recepción de AM (unidades para EE.UU./Canadá solamente), gire la unidad hasta encontrar la mejor recepción.



Grabación

Grabación desde un CD

1. Ajuste el selector de **función** a **CD/USB**.
2. Inserte la unidad de memoria USB en el puerto USB.
3. Pulse el botón **Record**. Parpadeará "REC" en la pantalla durante tres segundos y luego se mostrará "ONE". Pulse el botón **siguiente/anterior** para seleccionar la grabación de una ("ONE") pista o todas ("ALL") las pistas y luego pulse el botón **Record** para confirmar.
4. Pulse el botón **siguiente/anterior** para seleccionar la pista y luego pulse el botón **Record** para confirmar. Se mostrará "REC" y "Track No." (número de pista) de forma alternada para indicar que se está grabando la pista.
5. Pulse el botón **detener** para detener la grabación.
Nota: Puede que algunos CD originales no se puedan grabar si están protegidos contra la copia.

Grabación de un disco MP3

1. Ajuste el selector de **función** a **CD/USB** y luego inserte el disco MP3 en la bandeja para CD.
2. Inserte la unidad de memoria USB en la ranura USB.
3. Pulse el botón **Record**. Parpadeará "REC" en la pantalla durante tres segundos y luego se mostrará "ONE".
4. Pulse el botón **anterior/siguiente** para grabar una pista ("ONE"), una carpeta ("FOL") o todas ("ALL") las pistas. Pulse el botón **Record** para confirmar. Se mostrarán "REC", "folder number" (nro. de carpeta) y "number of total tracks" (cantidad total de pista) de forma alternada, indicando que se está grabando.
5. Pulse el botón **detener** para detener la grabación.

Grabación desde el giradiscos

1. Ajuste el selector de **función** a **Phono/Aux In**.
2. Inserte la unidad de memoria USB en la ranura USB.
3. Baje el brazo de lectura sobre la ubicación deseada del disco.
4. Pulse el botón **Record**. Parpadeará "REC" en la pantalla durante tres segundos y luego se mostrarán "REC" y "PHO" de forma alternada para indicar que se está grabando.
5. Pulse el botón **detener** para detener la grabación.

Grabación desde la radio (banda FM solamente)

1. Ajuste el selector de **función** a **Radio/Bluetooth**.
2. Inserte la unidad de memoria USB en la ranura USB.
3. Seleccione la estación de radio FM utilizando el cuadrante **selector de frecuencias**.
4. Pulse el botón **Record**.
5. Pulse el botón **detener** para detener la grabación.

Grabación desde un casete

1. Inserte la unidad de memoria USB en la ranura USB.
2. Ajuste el selector de **función** a **Tape/Off**.
3. Inserte el casete con su lado más grueso hacia la derecha de la bandeja. El casete se reproducirá automáticamente.
4. Pulse el botón **Record**. Parpadeará "REC" en la pantalla durante tres segundos y luego se mostrarán "REC" y "TAP" de forma alternada para indicar que se está grabando.
5. Pulse el botón **detener** para detener la grabación.

Grabación desde la entrada auxiliar

1. Inserte la unidad de memoria USB en la ranura USB.
2. Ajuste el selector de **función** a **Phono/Aux In**.
3. Conecte su dispositivo de audio externo y comience su reproducción.
4. Pulse el botón **Record**. Parpadeará "REC" en la pantalla durante tres segundos y luego se mostrarán "REC" y "AUX" de forma alternada para indicar que se está grabando.
5. Pulse el botón **detener** para detener la grabación.

Reproducción de Bluetooth

1. Ajuste el selector de **función** a **Radio/Bluetooth** y ajuste el interruptor **FM/AM/Bluetooth** (**FM/Bluetooth** en unidades de la UE) a la posición Bluetooth. El indicador de Bluetooth parpadeará.
2. El indicador de apareamiento parpadeará rápidamente. Durante el apareamiento, permanezca a menos de 10 metros (33 pies) del Superior LP.
3. Encienda el Bluetooth en su teléfono o tableta para aparearlo. Seleccione "Superior LP" como el dispositivo Bluetooth.
4. Una vez apareado y conectado exitosamente, el indicador de Bluetooth permanecerá encendido.
5. Para desconectar el dispositivo Bluetooth actualmente apareado y aparearse a otro dispositivo Bluetooth, mantenga pulsado el botón **Stop/USB/Bluetooth** durante 2 segundos.

Nota: Si su dispositivo Bluetooth solicita un código de apareamiento, ingrese "0000".

Reproducción de la cinta

1. Ajuste el selector de **función** a **Tape/Off**.
2. Inserte el casete con su lado más grueso hacia la derecha de la bandeja. El casete se reproducirá automáticamente.
3. Pulse el botón **eyectar/avance rápido** hasta la mitad para alternar entre el modo de avance rápido y la reproducción. Suelte el botón de **avance rápido** para comenzar la reproducción.
4. Pulse el botón **eyectar/avance rápido** completamente hasta abajo para expulsar el casete.

Reproducción del giradiscos

Antes de utilizarlo, asegúrese de:

- Retirar el protector de la púa. Volver a colocar la tapa protectora en la púa cuando no lo utilice.
 - Asegúrese de que el brazo de lectura puede moverse libremente desde su soporte. Trabe el brazo de lectura en su lugar nuevamente cuando no lo utilice.
1. Ajuste el selector de **función** a **Phono/Aux In** y levante la cubierta antipolvo del giradiscos.
 2. Coloque un disco en el giradiscos sobre el eje central en la almohadilla antideslizante.
 3. Ajuste el selector de **velocidad** a 33, 45 o 78 rpm dependiendo del disco.
 4. Levante el brazo de lectura de su soporte utilizando la palanca de elevación y muévelo lentamente sobre el disco. El plato del giradiscos comenzará a girar.
 5. Coloque el brazo de lectura sobre la ubicación deseada del disco.
 6. Baje lentamente el brazo de lectura sobre el disco para que comience a reproducirlo.
 7. Cuando se termina de reproducir el disco, el brazo de lectura se detendrá automáticamente. Levante el brazo de lectura del disco y colóquelo nuevamente en su soporte.
 8. Para detener el disco manualmente, levante el brazo de lectura del disco y regréselo a su soporte.
Nota: No detenga ni gire el plato manualmente. Mover o sacudir el giradiscos sin sujetar la abrazadera del brazo de lectura puede dar como resultado daños en el brazo.

Funcionamiento del interruptor de parada automática

Ciertos tipos de disco pueden tener un área de parada automática fuera del límite predefinido, de manera que el giradiscos podría parar antes del final de la última pista. Si esto ocurriera, ajuste el interruptor de **parada automática** a la posición Off (apagado). Esto permite reproducir el disco hasta el final, pero no se detendrá automáticamente. Debe levantar manualmente el brazo de lectura y colocarlo nuevamente en su soporte y luego apagar la unidad para detener el movimiento del giradiscos.

Reproducción de la entrada auxiliar

1. Ajuste el selector de **función** a **Phono/Aux In**.
2. Conecte un cable de audio estéreo de 3,5 mm (1/8 pulg.) (no incluido) desde la ENTRADA AUXILIAR en la panel frontal del Superior LP hasta la salida de línea o salida para auriculares de su dispositivo de audio externo para poder escuchar esa fuente externa a través de los altavoces internos del Superior LP.
3. Ajuste el volumen del Superior LP al nivel deseado.

Nota: Si la salida de línea de su dispositivo externo está conectada, sólo necesitará ajustar el control de volumen del sistema. Si la salida para auriculares de su dispositivo externo está conectada, puede que necesite ajustar el control de volumen tanto en su dispositivo externo como en el Superior LP para lograr el volumen deseado.

Reproducción de CD

Pueden utilizarse CD de audio y CD de datos estándar. Los siguientes tipos de archivo pueden reproducirse desde CD de datos:

- MP3
- WAV
- WMA

Nota: Si un CD contiene más de 999 archivos en una carpeta, los archivos después del nro. 999 no aparecerán correctamente en la pantalla. Acomode sus archivos en carpetas de 999 archivos como máximo por carpeta.

Cargar y descargar un CD

1. Ajuste el selector de **función** a **CD/USB**.
2. Abra la bandeja para discos pulsando el botón **abrir/cerrar** de la puerta para CD.
3. Una vez abierta la bandeja para discos, coloque cuidadosamente el CD en la bandeja con la etiqueta hacia arriba. Coloque los discos más pequeños en el centro de la bandeja para CD.
4. Cierre la bandeja para discos. La cantidad total de pistas en el CD aparecerá en la pantalla de LED y se reproducirá automáticamente.

Repetición de CD

1. Para escuchar la misma pista de forma repetida al reproducir un cd, pulse una vez el botón **Mode**. La pantalla de LED mostrará "ONE".
2. Para reproducir el disco entero de forma repetida, pulse **Mode** dos veces. La pantalla de LED mostrará "ALL".
3. Para cancelar la repetición en la reproducción, pulse el botón **reproducir/detener**.

Programación del orden de reproducción de las pistas de un CD

Siga estas instrucciones para programar el orden de reproducción de las pistas de CD.

Nota: La reproducción del CD debe detenerse antes de programar el orden de las pistas.

1. Pulse el botón **Program**.
2. Pulse el botón **anterior/siguiente** para seleccionar la ubicación en la cual se deberá guardar la pista, por ejemplo, pista 03.
3. Pulse el botón **Program**. La primera selección programada está ahora guardada en la memoria programada.
4. Para escuchar una pista programada, pulse el botón **reproducir/hacer pausa**. El CD comenzará a reproducirse desde el comienzo de la primera pista programada.
5. Para borrar la memoria programada, mientras se está reproduciendo el disco, pulse el botón **detener** dos veces.

Reproducción de la unidad flash USB

Los siguientes tipos de archivo pueden reproducirse desde unidades de memoria USB:

- AAC/M4A
- AIFF/AIF
- MP3
- WAV
- WMA

Cómo reproducir un archivo:

1. Ajuste el selector de **función** a **CD/USB**.
2. Conecte la unidad de memoria USB en el puerto USB.
3. Mantenga pulsado este **Detener/USB/Bluetooth** botón durante dos segundos para alternar para el modo USB. La cantidad total de pistas se mostrará en la pantalla y se comenzarán a reproducir automáticamente.
4. Pulse el botón **detener** para detener la reproducción.

Nota: Tenga en cuenta que la unidad solo puede leer unidades de memoria USB formateadas en FAT32 de un tamaño de 32 GB o menos.

Nota: Si una memoria USB contiene más de 999 archivos en una carpeta, los archivos después del nro. 999 no aparecerán correctamente en la pantalla. Acomode sus archivos en carpetas de 999 archivos como máximo por carpeta.

Cómo escuchar radio

1. Ajuste el selector de **función** a la posición **Radio/Bluetooth**.
2. Seleccione la frecuencia deseada (AM o FM) utilizando el interruptor **FM/AM/Bluetooth (FM/Bluetooth** en unidades de la UE).
Nota: Las unidades de la UE sólo pueden seleccionar FM.
3. Seleccione la estación de radio deseada girando la perilla de **sintonización**.
4. Ajuste el volumen al nivel deseado.
5. Al terminar de escuchar la radio, ajuste el selector de **función** a la posición OFF para apagar la radio.

Nota: El receptor tiene una antena de FM integrada que cuelga en el gabinete trasero. Este cable debe desenrollarse completamente y extenderse para una mejor recepción.

Especificaciones técnicas

Potencia de salida de los altavoces	2 W + 2 W
Respuesta en frecuencia	60-20.000 Hz
Motor	Servomotor de CC
Sistema de transmisión	Correa de transmisión
Velocidad	33-1/3, 45, 78 RPM
Nivel de salida	500 mV @ 1 kHz
Impedancia	4 ohmios
Tipo de cápsula:	Cartucho estéreo de cerámica
Tipos de archivo de CD de datos soportados	AAC/M4A, AIFF/AIF, MP3, WAV, WMA
Tipos de archivo de unidad de memoria USB soportados	MP3, WAV, WMA
Grabada en MP3 Formato de archivo	192 kB/s, 44.1 kHz
Voltaje	120 VCA, 60 Hz (US/CA) 230 VCA, 50 Hz (UE)
Consumo	20W
Dimensiones (ancho x profundidad x alto)	18.5 x 15 x 9.6 pulg. 47 cm x 38,1 cm x 24,3 cm
Peso	18,9 lbs.; 8,6 kg

Especificaciones sujetas a cambio sin previo aviso.

** El alcance de Bluetooth se ve afectado por paredes, obstrucciones y movimiento. Para lograr un rendimiento óptimo, coloque el producto en el centro de la sala donde no esté obstaculizado por paredes, muebles, etc.*

Guide d'utilisation rapide (Français)

Contenu de la boîte

Superior LP

Adaptateur pour 45 tr/min

Guide d'utilisation rapide

Consignes de sécurité et informations concernant la garantie

Assistance technique

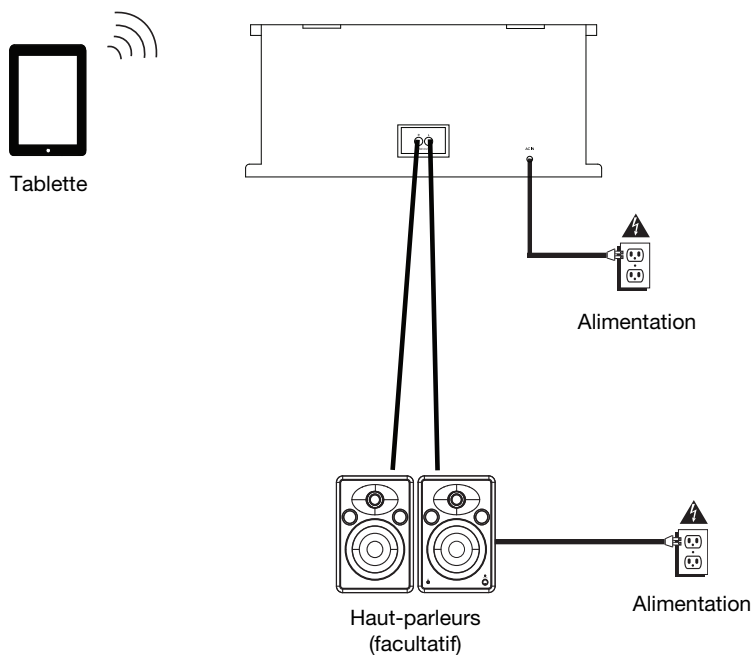
Pour les toutes dernières informations concernant ce produit (configuration système, compatibilité, etc.), veuillez visiter le site ionaudio.com.

- Ne pas le déposer sur une moquette épaisse, ou l'installer dans un endroit où il y a une mauvaise circulation d'air.
- Placez l'appareil sur une surface plane et stable, loin des sources de vibration.

Installation

Schéma de connexion

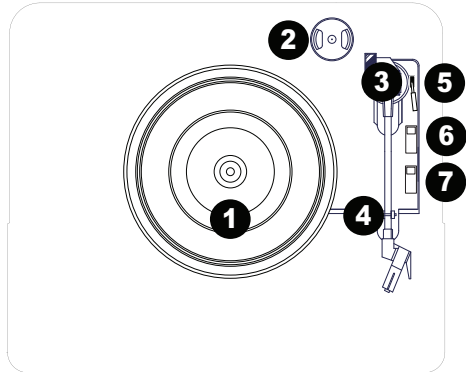
Les articles qui ne figurent pas dans l'encadré **Contenu de la boîte** sont vendus séparément.



Caractéristiques

Lecture de disques vinyles

1. **Plateau** : Placez le disque vinyle à cet endroit.
2. **Rangement pour adaptateur 45 tr/min** : Cet emplacement permet de ranger l'adaptateur 45 tr/min lorsqu'il n'est pas utilisé. Lorsqu'il n'est pas utilisé, veuillez mettre l'adaptateur dans cet emplacement.
3. **Bras de lecture** : Le bras de lecture peut être lever ou abaisser manuellement ou en utilisant le bouton du levier de commande.
4. **Serre-bras** : Ce serre-bras est conçu spécialement afin de maintenir en place le bras de lecture lorsque la platine n'est pas utilisée. Le serre-bras a été conçu pour rester en position élevée lorsqu'il est déverrouillé.
5. **Levier de commande** : Ce levier permet de lever ou d'abaisser le bras de lecture.
6. **Sélecteur de vitesse (33/45/78)** : Ce sélecteur régit la vitesse de rotation du plateau.

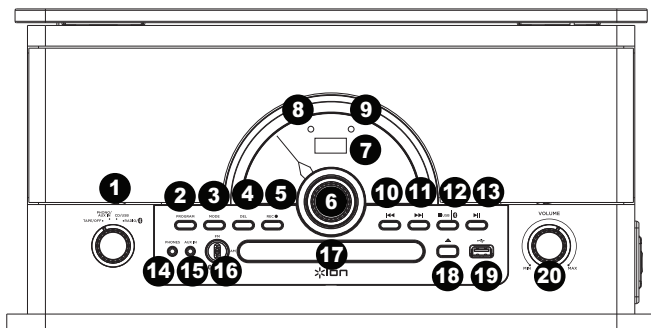


IMPORTANT : Retirez le couvercle de plastique de la cartouche (qui protège la pointe de lecture) avant d'utiliser la platine.

***MISE EN GARDE** : Les sorties RCA sont de niveau ligne. Veuillez ne les raccorder qu'à des entrées à niveau ligne. Vous pourriez endommager votre récepteur si un appareil À NIVEAU LIGNE est branché à une entrée PHONO.

7. **Autostop** : Ce commutateur permet d'activer et de désactiver la fonction autostop. Lorsqu'elle est activée, le plateau commence à tourner dès que le bras de lecture est placé au-dessus du disque et s'arrête lorsque l'aiguille a atteint la fin du disque. Lorsqu'elle est désactivée, le plateau tourne, peu importe l'emplacement du bras de lecture.

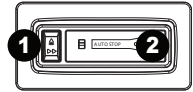
Remarque : Si le disque s'arrête avant la fin de la musique, désactivez la fonction Autostop pour ce disque. Ceci est généralement recommandé pour disques de 45 tr/min.



1. **Sélecteur de fonction** : Ce bouton permet de sélectionner la source audio : TAPE/OFF (platine cassette/hors tension), Phono/Aux In (platine vinyle/entrée auxiliaire), CD/USB ou Radio/Bluetooth.
2. **Program** : Cette touche permet de sélectionner l'ordre de lecture des pistes du CD.
3. **Mode** : Cette touche permet de sélectionner la façon dont les pistes sur le périphérique USB ou le CD seront lues : « ONE » (lecture répétée d'une piste), « FOL » (lecture répétée de toutes les pistes d'un dossier), « ALL » (lecture répétée de toutes les pistes) ou « NOR » (lecture normale sans répétition).
4. **Del** : Cette touche permet de supprimer des pistes ou des dossiers sur un périphérique USB.
5. **Rec** : Cette touche permet de passer en mode d'enregistrement USB lorsqu'un périphérique USB est branché.
6. **Sélecteur de fréquences radio** : Ce bouton permet de sélectionner les fréquences radio de la bande AM ou FM.
Remarque : Les modèles européens ne peuvent sélectionner que les fréquences radio de la bande FM.
7. **Écran d'affichage** : Cet écran indique le mode sélectionné et le numéro de la piste.
8. **DEL d'alimentation** : Cette DEL s'allume afin d'indiquer que l'appareil est en marche.
9. **DEL Bluetooth** : Cette DEL clignote lors du jumelage et demeure allumée lorsque l'appareil est connecté à une enceinte Bluetooth.
10. **Saut arrière** : Cette touche permet de revenir au fichier USB, à la piste Bluetooth ou à la piste CD précédent.
Remarque : Sur des sources Bluetooth, cette touche permet de passer à d'autres listes de lecture ou de genre musical, selon l'application.
11. **Saut avant** : Cette touche permet de passer au fichier USB, à la piste Bluetooth ou à la piste CD suivant.
Remarque : Sur des sources Bluetooth, cette touche permet de passer à d'autres listes de lecture ou de genre musical, selon l'application.
12. **Arrêt de lecture/USB/Bluetooth** : Cette touche permet d'arrêter l'enregistrement sur le périphérique USB. Cette touche permet de faire un arrêt de lecture de la piste USB, CD ou Bluetooth. Lorsque le Sélecteur de fonction est sur USB/CD, maintenez cette touche enfoncée pendant deux secondes afin de basculer entre le mode CD et le mode USB. Lorsque le Sélecteur de fonction est sur Radio/Bluetooth, maintenez cette touche enfoncée pendant deux secondes afin de déjumeler un appareil Bluetooth.
13. **Lancer/interrompre la lecture** : Cette touche permet de lancer et d'interrompre la lecture des pistes des sources CD, USB et Bluetooth.
14. **Sortie casque** : Lorsqu'un casque d'écoute est branché, les enceintes internes sont désactivées.
15. **Entrée auxiliaire** : Cette entrée permet de brancher la sortie à niveau ligne d'un appareil, tel que smartphone, lecteur multimédia, tablette, etc.
16. **FM/AM/Bluetooth (FM/Bluetooth sur modèles européens)** : Ce sélecteur permet de sélectionner les sources FM, AM et Bluetooth.
Remarque : Les modèles européens ne peuvent sélectionner que les sources FM et Bluetooth.
17. **Plateau du lecteur CD** : Ce plateau permet d'insérer un CD. Cet appareil est conçu pour faire la lecture de disques compacts vendus commercialement et des formats CD-R, CD-RW et MP3 correctement gravés et finalisés.
18. **Ouverture/fermeture** : Cette touche permet d'ouvrir et de fermer le plateau du lecteur CD.
19. **Port USB** : Ce connecteur permet de faire la lecture ou l'enregistrement de pistes sur périphérique USB.
20. **Volume** : Cette touche permet de régler le niveau sonore des enceintes internes ainsi que de la sortie casque.

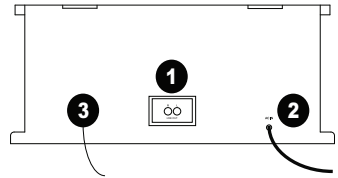
Panneau latéral

1. **Touche d'éjection/avance rapide de la cassette (FF)** : Cette touche permet d'éjecter la cassette. Maintenez la touche enfoncée afin d'avancer la cassette.
2. **Lecteur cassette** : Insérez une cassette dans ce lecteur.



Panneau arrière

1. **Sortie ligne** : Cette sortie permet de brancher un récepteur, un amplificateur ou des enceintes amplifiées.
Remarque : La commande de volume du Superior LP n'affecte pas le volume lorsque la sortie ligne est utilisée.
2. **Entrée d'alimentation** : Le câble d'alimentation intégré.
3. **Antenne FM** : Ajustez ce câble pour une meilleure réception radio FM. Pour la réception AM (modèles américains et canadiens uniquement), tournez l'appareil de sorte à obtenir une meilleure réception.



Enregistrement

Enregistrement d'un CD

1. Veuillez régler le **sélecteur de fonction** sur **CD/USB**.
2. Insérez le périphérique USB dans le port USB.
3. Appuyez sur la touche **Rec**. « REC » clignotera à l'écran pendant 3 secondes et puis « ONE » s'affichera. Appuyez sur la touche **saut avant** ou **saut arrière** afin de sélectionner le mode d'enregistrement de pistes, « ONE » ou « ALL » et appuyez sur la touche **Rec** pour confirmer.
4. Appuyez sur la touche **saut avant** ou **saut arrière** afin de sélectionner la piste et appuyez sur la touche **Rec** pour confirmer. « REC » et « Track No. » (numéro de piste) s'afficheront en alternance afin d'indiquer quelle piste est enregistrée.
5. Pour arrêter l'enregistrement, appuyez sur la touche d'**arrêt de lecture**.

Remarque : Certains CD ne sont pas enregistrables, car ils sont protégés contre la copie.

Enregistrement d'un disque MP3

1. Réglez le **sélecteur de fonction** sur **CD/USB** et insérez le disque MP3 dans le plateau du lecteur CD.
2. Insérez le périphérique USB dans le port USB.
3. Appuyez sur la touche **Rec**. « REC » clignotera à l'écran pendant 3 secondes et puis « ONE » s'affichera.
4. Appuyez sur la touche **saut avant** ou **saut arrière** afin de sélectionner le mode d'enregistrement de pistes, « ONE », « FOL » ou « ALL ». Appuyez sur la touche **Rec** pour confirmer. « REC », « numéro de dossier » et « nombre total de pistes » s'afficheront en alternance afin d'indiquer quelles pistes seront enregistrées.
5. Pour arrêter l'enregistrement, appuyez sur la touche d'**arrêt de lecture**.

Enregistrement d'un disque vinyle

1. Veuillez régler le **sélecteur de fonction** sur **Phono/Aux In**.
2. Insérez le périphérique USB dans le port USB.
3. Abaissez le bras de lecture sur le sillon désiré sur le disque.
4. Appuyez sur la touche **Rec**. « REC » clignotera à l'écran pendant 3 secondes, puis « REC » et « PHO » s'afficheront en alternance afin d'indiquer que l'enregistrement est en cours.
5. Pour arrêter l'enregistrement, appuyez sur la touche d'**arrêt de lecture**.

Enregistrement de la radio (bande FM seulement)

1. Veuillez régler le **sélecteur de fonction** sur **Radio/Bluetooth**.
2. Insérez le périphérique USB dans le port USB.
3. Sélectionnez la station de radio FM à l'aide du **Sélecteur de fréquence radio**.
4. Appuyez sur la touche **Rec**.
5. Pour arrêter l'enregistrement, appuyez sur la touche d'**arrêt de lecture**.

Enregistrement d'une cassette

1. Insérez le périphérique USB dans le port USB.
2. Veuillez régler le **sélecteur de fonction** sur **Tape/Off**.
3. Insérer la cassette côté plus épais du côté droit du logement de cassettes. La cassette jouera automatiquement.
4. Appuyez sur la touche **Rec**. « REC » clignotera à l'écran pendant 3 secondes, puis « REC » et « TAP » s'afficheront en alternance afin d'indiquer que l'enregistrement est en cours.
5. Pour arrêter l'enregistrement, appuyez sur la touche d'**arrêt de lecture**.

Enregistrement à partir de l'entrée auxiliaire

1. Insérez le périphérique USB dans le port USB.
2. Veuillez régler le **sélecteur de fonction** sur **Phono/Aux In**.
3. Branchez votre appareil audio externe et lancez la lecture.
4. Appuyez sur la touche **Rec**. « REC » clignotera à l'écran pendant 3 secondes, puis « REC » et « AUX » s'afficheront en alternance afin d'indiquer que l'enregistrement est en cours.
5. Pour arrêter l'enregistrement, appuyez sur la touche d'**arrêt de lecture**.

Lecture Bluetooth

1. Veuillez régler le **sélecteur de fonction** sur **Radio/Bluetooth** et placer le sélecteur **FM/AM/Bluetooth (FM/Bluetooth)** sur modèles européens) dans la position Bluetooth. La DEL Bluetooth clignotera.
2. La DEL de jumelage clignotera rapidement. Lors du jumelage, veuillez vous assurer que l'appareil soit à moins de 10 mètres du Superior LP.
3. Activez la fonction Bluetooth du téléphone ou de la tablette. Sélectionnez « Superior LP » comme appareil Bluetooth.
4. Lorsque la connexion est établie, la DEL Bluetooth demeure allumée.
5. Pour déjumeler l'appareil Bluetooth et jumeler un autre appareil, maintenez la touche d'**arrêt de lecture/USB/Bluetooth** enfoncée pendant 2 secondes.

Remarque : Si votre appareil Bluetooth vous demande d'entrer un code de jumelage, entrez « 0000 ».

Lecture cassette

1. Veuillez régler le **sélecteur de fonction** sur **Tape/Off**.
2. Insérer la cassette côté plus épais du côté droit du logement de cassettes. La cassette jouera automatiquement.
3. Enfoncez la touche d'**éjection/avance rapide (FF)** à moitié pour basculer entre les modes d'avance rapide et de lecture. Relâchez la touche **FF** pour démarrer la lecture.
4. Enfoncez la touche d'**éjection/avance rapide** complètement pour éjecter la cassette.

Lecture de la platine vinyle

Avant de l'utiliser, veuillez vous assurer de :

- Retirer le protège-pointe. Remettre le protège-pointe lorsque vous n'utilisez pas la platine vinyle.
 - Déverrouiller le bras de lecture avant de l'utiliser. Verrouiller le bras de lecture sur le serre-bras lorsque vous n'utilisez pas la platine vinyle.
1. Réglez le **sélecteur de fonction** sur **Phono/Aux In** et relevez le couvercle de protection de la platine vinyle.
 2. Placez un disque sur l'axe central et la feutrine du plateau.
 3. Réglez le **sélecteur de vitesse** à la vitesse désirée, 33, 45, 78 t/min., selon le disque.
 4. Soulevez le bras de lecture du support en utilisant le levier de commande et déplacez-le lentement au-dessus du disque. Le plateau commencera à tourner.
 5. Placez le bras de lecture au-dessus du sillon désiré sur le disque.
 6. Abaissez le bras de lecture sur le disque afin de lancer la lecture.
 7. Lorsque la lecture du disque est terminée, le bras de lecture arrêtera automatiquement. Soulevez le bras de lecture et remettez-le sur le support.
 8. Pour arrêter manuellement la lecture, soulevez le bras de lecture et remettez-le sur le support.
- Remarque :** N'arrêtez pas ou ne tournez pas le plateau manuellement. Déplacer le plateau sans verrouiller le bras de lecture sur le support pourrait endommager le bras de lecture.

Fonction d'arrêt automatique

Certains types de disques peuvent avoir une zone d'arrêt automatique à l'extérieur de la limite prédéfinie, donc la platine peut s'arrêter avant que la dernière piste se termine. Pour désactiver la fonction d'arrêt automatique, mettez le commutateur **Auto-stop** à la position OFF. Cela permet au disque de jouer jusqu'au bout, mais il ne s'arrêtera pas automatiquement. Vous devez soulever le bras de lecture et le placer sur son support et mettre le sélecteur de fonction sur **Tape/Off** afin d'arrêter le plateau de tourner.

Lecture à partir de l'entrée auxiliaire

1. Veuillez régler le **sélecteur de fonction** sur **Phono/Aux In**.
2. Branchez un câble audio stéréo 3,5 mm (non fourni) à l'entrée auxiliaire sur le panneau avant du Superior LP et à la sortie ligne ou à la sortie casque de votre appareil audio externe afin de pouvoir écouter la source externe par le biais des haut-parleurs internes du Superior LP.
3. Réglez le volume du Superior LP au niveau désiré.

Remarque : Si la sortie de l'appareil externe est branchée, il vous suffit d'ajuster le réglage du volume du système. Si la sortie casque de votre appareil externe est branchée, vous devrez peut-être ajuster la commande de volume sur votre appareil externe et sur le Superior LP afin d'obtenir le volume souhaité.

Lecture CD

Les CD audio et les CD de données standards peuvent être utilisés. Les types de fichiers suivants sont pris en charge sur les CD de données :

- MP3
- WAV
- WMA

Remarque : Si un CD contient plus de 999 fichiers dans un dossier, les fichiers numérotés au-dessus de 999 ne s'afficheront pas correctement. Assurez-vous d'organiser vos fichiers de manière à avoir un maximum de 999 fichiers par dossier.

Chargement et déchargement d'un CD

1. Veuillez régler le **sélecteur de fonction** sur **CD/USB**.
2. Ouvrir le plateau à disque en appuyant sur la touche d'**ouverture/fermeture** du lecteur CD.
3. Lorsque le plateau est ouvert, placez soigneusement le CD dans le plateau avec l'étiquette vers le haut. Placez de plus petits disques au centre du plateau.
4. Refermez le plateau à disque. Le nombre total de pistes sur le CD s'affiche sur l'écran DEL et la lecture commence automatiquement.

Lecture répétée du CD

1. Pour écouter la même piste à plusieurs reprises lors de la lecture d'un CD, appuyez sur la touche **Mode** une fois. L'écran affichera « ONE ».
2. Pour faire la lecture répétée de l'intégralité du disque, appuyez sur la touche **Mode** deux fois. L'écran affichera « ALL ».
3. Pour annuler la lecture répétée, appuyez sur la touche d'**arrêt de lecture**.

Programmer l'ordre de lecture des pistes d'un CD

Suivez ces instructions pour programmer l'ordre de lecture des pistes d'un CD.

Remarque : La lecture du CD doit être arrêtée afin de programmer l'ordre de lecture des pistes d'un CD.

1. Appuyez sur la touche **Program**.
2. Appuyez sur la touche **saut avant** ou **saut arrière** afin de sélectionner l'emplacement de sauvegarde de la piste, p. ex., track 03.
3. Appuyez sur la touche **Program**. La première sélection est maintenant stockée dans la mémoire.
4. Pour lancer la lecture d'une piste programmée, appuyez sur la touche **lancer/interrompre la lecture**. Le CD commencera à jouer la première piste programmée.
5. Pour supprimer les pistes de la mémoire durant la lecture du CD, appuyez sur la touche d'**arrêt de lecture** deux fois.

Lecture USB

Les types de fichiers suivants sont pris en charge sur les clés USB :

- AAC/M4A
- AIFF/AIF
- MP3
- WAV
- WMA

Pour lire un fichier :

1. Veuillez régler le **sélecteur de fonction** sur **CD/USB**.
2. Insérez le périphérique USB dans le port USB.
3. Maintenez cette touche enfoncée **Arrêt de lecture/USB/Bluetooth** pendant deux secondes afin de basculer afin mode USB. Le nombre total de pistes s'affiche et la lecture commence automatiquement.
4. Pour arrêter la lecture, appuyer sur la touche d'**arrêt de lecture**.

Remarque : Veuillez noter que le périphérique USB doit avoir une capacité maximale de 32 GB et utiliser un système de fichiers FAT32 afin que l'appareil puisse le lire.

Remarque : Si une clé USB contient plus de 999 fichiers dans un dossier, les fichiers numérotés au-dessus de 999 ne s'afficheront pas correctement. Assurez-vous d'organiser vos fichiers de manière à avoir un maximum de 999 fichiers par dossier.

Utilisation de la radio

1. Veuillez régler le **sélecteur de fonction** sur **Radio/Bluetooth**.
2. Sélectionnez la fréquence désirée (AM ou FM) en utilisant le sélecteur **FM/AM/Bluetooth** (**FM/Bluetooth** sur modèles européens).
Remarque : Les modèles européens ne peuvent sélectionner que les fréquences radio de la bande FM.
3. Sélectionnez la station radio souhaitée en tournant le **sélecteur de fréquences radio**.
4. Réglez le volume au niveau désiré.
5. Lorsque vous avez terminé d'écouter la radio, veuillez régler le **sélecteur de fonction** sur **Tape/Off** afin de mettre la radio hors tension.

Remarque : Le récepteur a une antenne FM intégrée située à l'arrière de l'appareil. Ce fil doit être entièrement déroulé et déployé pour une meilleure réception.

Spécifications techniques

Puissance de sortie des haut-parleurs	2W + 2W
Réponse en fréquence	60-20 000 Hz
Moteur	Servomécanisme
Système d'entraînement	Entraînement par courroie
Vitesses	33-1/3, 45, 78 t/min
Niveaux de sortie	500 mV @ 1 kHz
Impédance	4 ohms
Type de cartouche	Cartouche stéréo en céramique
Types de fichiers pris en charge sur les CD de données	AAC/M4A, AIFF/AIF, MP3, WAV, WMA
Types de fichiers pris en charge sur les clés USB	MP3, WAV, WMA
Fichier MP3 Format enregistrée	192 kB/s, 44.1 kHz
Tension	120 V CA, 60 Hz (États-Unis/Canada) 230 V CA, 50 Hz (Europe)
Consommation électrique	20 W
Dimensions (largeur x profondeur x hauteur)	18,5 po x 15 po x 9,6 po 47 cm x 38,1 cm x 24,3 cm
Poids	18,9 lb ; 8,6 kg

Toutes les spécifications sont susceptibles d'être modifiées sans préavis.

* La portée Bluetooth est affectée par les murs, les obstacles et le mouvement. Pour une performance optimale, placez le produit dans le centre de la pièce afin qu'il n'y ait aucune obstruction créée par des murs, des meubles, etc.

Guida rapida (Italiano)

Contenuti della confezione

Superior LP
Adattatore 45 giri
Guida rapida
Istruzioni di sicurezza e garanzia

Assistenza

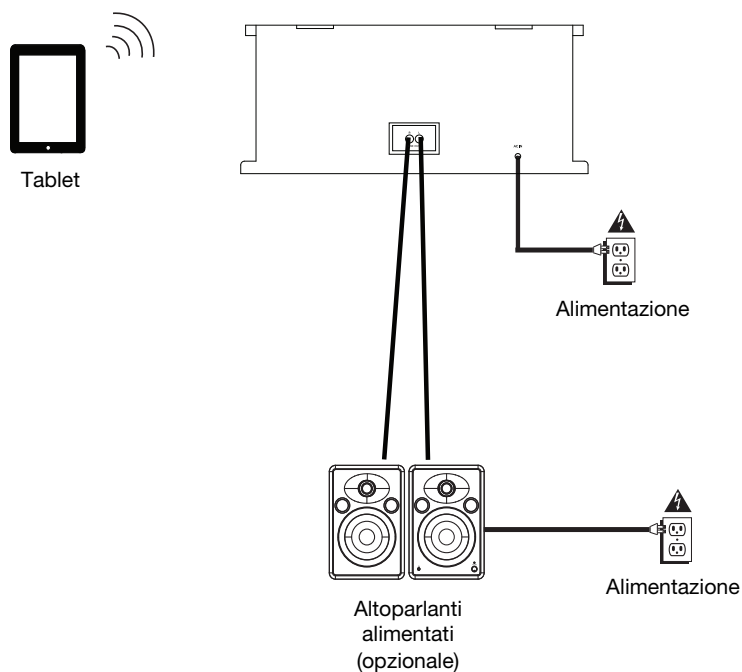
Per le ultime informazioni in merito a questo prodotto (requisiti di sistema, informazioni sulla compatibilità, ecc.) e per la registrazione del prodotto, recarsi alla pagina ionaudio.com.

- Non collocarlo su un tappeto spesso o in un luogo dalla scarsa di ventilazione.
- Collocare l'apparecchio su una superficie piana e uniforme, lontano da fonti di vibrazioni.

Configurazione rapida

Schema dei collegamenti

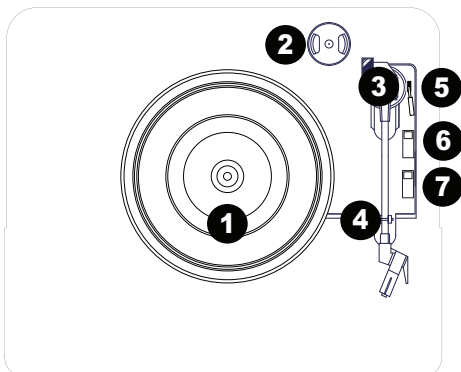
Elementi non elencati sotto **Contenuti della confezione** sono venduti separatamente.



Caratteristiche

Modalità vinile

1. **Piatto:** Il disco va collocato qui.
2. **Supporto adattatore 45 giri:** Regge l'incluso adattatore per 45 giri. Quando l'adattatore non è in uso, può essere collocato a questo livello.
3. **Braccio:** Il braccio fisso può essere alzato e abbassato a mano, oppure premendo la levetta di sollevamento / abbassamento.
4. **Fermabraccio:** Questo fermabraccio dal design speciale fissa il braccio quando è a riposo o quando non è in uso. Il fermabraccio è stato progettato in modo che resti sollevato quando sbloccato.
5. **Levetta di sollevamento / abbassamento:** Alza e abbassa il braccio.
6. **Interruttore 33 / 45 / 78:** Controlla la velocità del piatto del giradischi.



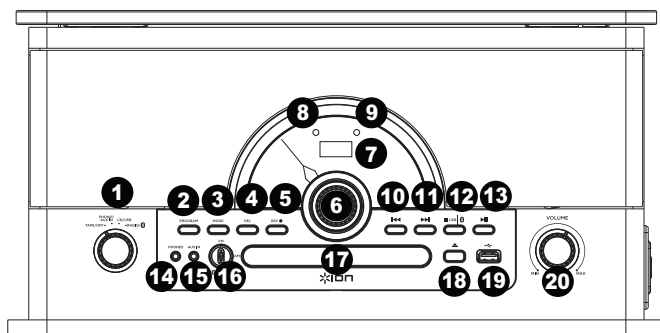
IMPORTANTE: rimuovere il cappuccio della cartuccia (copripuntina) prima di utilizzare il giradischi.

***AVVERTENZA:** le uscite RCA sono a livello di LINEA. Collegarle unicamente a ingressi a livello di LINEA. Si rischia di danneggiare il ricevitore collegando un dispositivo a livello di LINEA in un ingresso PHONO.

- Nota bene:** per i migliori risultati durante la riproduzione di dischi in vinile a 78 giri, servirsi di una puntina 78 (venduta separatamente). Servirsi unicamente di una puntina 78 con dischi in vinile a 78 giri.
7. **Interruttore Autostop:** Accende o spegne la funzione "autostop". Quando la funzione "autostop" è attiva, il piatto inizia a girare quando il braccio è posato sul disco e smette di girare quando il disco arriva alla fine. Quando la funzione autostop è disattiva, il piatto continuerà a girare, indipendentemente dalla posizione del braccio.

Nota bene: se il vinile si ferma prima di raggiungere la fine della musica, spegnere la funzione Autostop per quel particolare disco. Di solito, ciò è consigliato per i dischi a 45 giri.

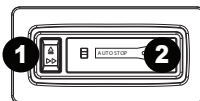
Pannello anteriore



1. **Selettore di funzioni:** girare la manopola per selezionare quale fonte utilizzare: Tape/Off, ingresso Phono/Aux, CD/USB o Radio/Bluetooth.
2. **Tasto Program (programma):** premere questo tasto per programmare le tracce CD in modo che vengano riprodotte in un determinato ordine.
3. **Modalità:** seleziona il modo in cui le tracce presenti sul drive flash USB o su CD verranno riprodotte: "ONE" (riproduce la stessa traccia ripetutamente), "FOL" (riproduce la stessa cartella ripetutamente) "ALL" (riproduce tutte le tracce ripetutamente) o "NOR" (ordine di riproduzione normale senza alcuna ripetizione).
4. **Tasto Canc (delete):** premere questo tasto per cancellare tracce o cartelle da un drive flash USB.
5. **Rec:** premere questo tasto per passare alla modalità di registrazione USB quando è collegato un drive flash USB.
6. **Selettore di frequenza radio:** girare questa manopola per selezionare la frequenza di stazione radio AM o FM.
Nota bene: i dispositivi UE possono selezionare solo stazioni FM.
7. **Display:** mostra la modalità corrente e il numero di traccia.
8. **LED di alimentazione:** questo LED si illumina quando viene accesa l'alimentazione.
9. **LED Bluetooth:** questo LED lampeggia quando ci si trova in modalità di collegamento ed è fisso quando è collegato a un altoparlante Bluetooth.
10. **Skip Backward (salta indietro):** premere questo tasto per passare al file USB, alla traccia Bluetooth o alla traccia CD precedente.
Nota bene: quando si ascoltano fonti Bluetooth, la pressione di questo tasto in alcune app può far passare a un'altra playlist o a un altro genere musicale.
11. **Skip Forward (salta avanti):** premere questo tasto per passare al file USB, alla traccia Bluetooth o alla traccia CD precedente.
Nota bene: quando si ascoltano fonti Bluetooth, la pressione di questo tasto in alcune app può far passare a un'altra playlist o a un altro genere musicale.
12. **Stop/USB/Bluetooth:** premere questo tasto per fermare la registrazione sul drive flash USB. Premere questo tasto per interrompere la riproduzione di una traccia USB, una traccia CD o una traccia Bluetooth. Con il selettore di funzioni su USB/CD, tenere premuto questo tasto per 2 secondi per commutare tra la modalità CD e la modalità USB. Con il selettore di funzioni su Radio/Bluetooth, tenere premuto questo tasto per 2 secondi per scollegare un dispositivo Bluetooth collegato.
13. **Play/Pause:** premere questo tasto per riprodurre/interrompere momentaneamente le tracce da fonti CD, USB e Bluetooth.
14. **Uscita cuffie:** quando le cuffie sono inserite, l'altoparlante interno viene silenziato.
15. **Ingresso Aux:** collegare l'uscita di un dispositivo a livello di linea a questo ingresso (quali uno smartphone, un media player, un tablet, ecc.).
16. **FM/AM/Bluetooth (FM/Bluetooth per dispositivi UE):** commutare questo comando per commutare tra fonti FM, AM e Bluetooth.
Nota bene: i dispositivi UE possono commutare solo tra FM e Bluetooth.
17. **Vassoio porta-CD:** collocare un CD a questo livello. L'apparecchio è stato concepito per riprodurre i CD disponibili in commercio, CD-R masterizzati adeguatamente e finalizzati, CD-RW e CD MP3.
18. **Open/Close:** premere questo pulsante per aprire o chiudere il vassoio porta CD.
19. **Porta USB:** riproduce le tracce dal drive flash USB o registra canzoni sullo stesso.
20. **Volume:** regola il livello dell'audio degli altoparlanti interni e dell'uscita cuffie.

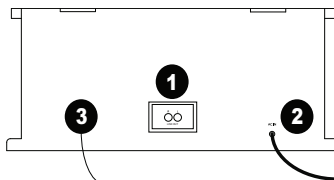
Pannello laterale

1. **Tasto di espulsione cassetta / avanti rapido (FF):** premere questo tasto per espellere il nastro. Tenere premuto il tasto per avanzare rapidamente lungo il nastro.
2. **Sportello porta-cassetta:** inserire una cassetta a questo livello.



Pannello posteriore

1. **Uscita di linea:** collegare questa uscita a un ricevitore, un amplificatore o a casse alimentate.
Nota bene: il comando di regolazione del volume del Superior LP non regola il volume quando l'uscita di linea è in uso.
2. **Ingresso di alimentazione:** il cavo di alimentazione integrato va collegato a questo livello.
3. **Antenna FM:** regolare questo filo per migliorare la ricezione della radio FM. Per la ricezione AM (solo dispositivi US/CA), ruotare l'apparecchio fino a trovare la ricezione migliore.



Registrazione

Registrazione da CD

1. Posizionare il selettore di **Funzione** su **CD/USB**.
2. Inserire il drive flash USB nella porta USB.
3. Premere il tasto **Record**. "REC" lampeggia a display per 3 secondi e quindi compare "ONE". Premere il tasto **Backward/Forward** (indietro/avanti) per registrare una ("ONE") traccia o tutte ("ALL") le tracce, quindi premere il tasto **Record** per confermare.
4. Premere il tasto **Backward/Forward** (indietro/avanti) per selezionare la traccia, quindi premere il tasto **Record** per confermare. "REC" e "Track No." (registra e numero di traccia) compariranno alternativamente a display a indicare che la registrazione della traccia è in corso.
5. Premere il tasto **Stop** per interrompere la riproduzione.
Nota bene: alcuni CD originali, se protetti, potrebbero non essere registrabili.

Registrazione da un disco MP3

1. Impostare il selettore di **Funzioni** su **CD/USB** e inserire il disco MP3 nel vassoio CD.
2. Inserire il drive flash USB nello slot USB.
3. Premere il tasto **Record**. "REC" lampeggia a display per 3 secondi e quindi compare "ONE".
4. Premere il tasto **Backward/Forward** (indietro/avanti) per registrare una ("ONE") traccia, "FOL" (una cartella) o tutte ("ALL") le tracce. Premere il tasto **Record** per confermare. "REC", "folder number" (numero di cartella) e "number of total tracks" (numero totale di tracce) comparirà alternativamente a display, a indicare che è in via di registrazione.
5. Premere il tasto **Stop** per interrompere la riproduzione.

Registrazione dal giradischi

1. Impostare il selettore di **Funzione** su **Phono/Aux In**.
2. Inserire il drive flash USB nello slot USB.
3. Abbassare il braccio sul punto desiderato sul disco.
4. Premere il tasto **Record**. "REC" lampeggia a display per 3 secondi e a display compaiono quindi, alternate, le scritte "REC" e "PHO" per indicare che la registrazione è in corso.
5. Premere il tasto **Stop** per interrompere la riproduzione.

Registrazione dalla radio (solo banda FM)

1. Posizionare il selettore **Funzione** su **Radio/Bluetooth**.
2. Inserire il drive flash USB nello slot USB.
3. Selezionare la stazione radio FM servendosi della manopola di selezione della **Frequenza**.
4. Premere il tasto **Record**.
5. Premere il tasto **Stop** per interrompere la riproduzione.

Registrazione da una cassetta

1. Inserire il drive flash USB nello slot USB.
2. Posizionare il selettore di **Funzione** su **Tape/Off**.
3. Inserire il nastro con il lato più spesso rivolto verso il lato destro del vassoio porta-nastro. La cassetta viene riprodotta automaticamente.
4. Premere il tasto **Record**. "REC" lampeggia a display per 3 secondi e a display compaiono quindi, alternate, le scritte "REC" e "TAP" per indicare che la registrazione è in corso.
5. Premere il tasto **Stop** per interrompere la riproduzione.

Registrazione dall'ingresso Aux

1. Inserire il drive flash USB nello slot USB.
2. Impostare il selettore di **Funzione** su **Phono/Aux In**.
3. Collegare il dispositivo audio esterno e avviarne la riproduzione.
4. Premere il tasto **Record**. "REC" lampeggia a display per 3 secondi e a display compaiono, alternate, le scritte "REC" e "AUX" per indicare che la registrazione è in corso.
5. Premere il tasto **Stop** per interrompere la riproduzione.

Riproduzione Bluetooth

1. Impostare il selettore di **Funzione** su **Radio/Bluetooth** e posizionare l'interruttore **FM/AM/Bluetooth (FM/Bluetooth** su apparecchi UE) su Bluetooth. La spia Bluetooth lampeggia.
2. La spia di collegamento lampeggia rapidamente. Durante il collegamento, rimanere entro 10 metri (33 piedi) dal Superior LP.
3. Accendere il Bluetooth sul telefono o sul tablet per effettuare il collegamento. Selezionare "Superior LP" come dispositivo Bluetooth.
4. Una volta collegato, la spia Bluetooth rimane fissa.
5. Per scollegare l'apparecchio dal dispositivo Bluetooth attualmente collegato e collegare un altro dispositivo Bluetooth, tenere premuto il tasto **Stop/USB/Bluetooth** per 2 secondi.
Nota bene: se il dispositivo Bluetooth richiede un codice, digitare '0000'.

Riproduzione del nastro

1. Posizionare il selettore di **Funzione** su **Tape/Off**.
2. Inserire il nastro con il lato più spesso rivolto verso il lato destro del vassoio porta-nastro. La cassetta viene riprodotta automaticamente.
3. Premere il tasto **Eject/Fast Forward** (espulsione/avanzamento rapido) a metà per commutare tra avanzamento rapido e riproduzione. Rilasciare il tasto **FF** per avviare la riproduzione.
4. Premere a fondo il tasto **Eject/Fast Forward** (espulsione/avanzamento rapido) per effettuare l'espulsione del nastro.

Riproduzione del giradischi

Prima dell'uso, assicurarsi di:

- Rimuovere la protezione della puntina. Mettere il cappuccio di protezione sulla puntina quando non è in uso.
 - Assicurarsi che il braccio sia libero di muoversi dal poggiabraccio. Fissare nuovamente il braccio in posizione quando non è in uso.
1. Impostare il selettore di **Funzione** sull'ingresso **Phono/Aux** e sollevare il coperchio antipolvere del giradischi.
 2. Collocare un disco sul giradischi, sull'asse centrale sul tappetino.
 3. Impostare il selettore di **Velocità** su 33, 45 o 78 giri a seconda del disco.
 4. Sollevare il braccio dal poggiabraccio servendosi dell'apposita leva di sollevamento e portarlo lentamente sul disco. Il piatto del giradischi inizia a girare.
 5. Collocare il braccio sul punto desiderato sul disco.
 6. Abbassare delicatamente il braccio sul disco per avviare la riproduzione.
 7. Quando la riproduzione del disco è conclusa, il braccio si ferma automaticamente. Sollevare il braccio dal disco e posizionarlo nuovamente sul poggiabraccio.
 8. Per fermare manualmente il disco, sollevare il braccio dal disco e riposizionarlo sul poggiabraccio.
Nota bene: non arrestare né far girare il piatto manualmente. Spostare o urtare il giradischi senza aver fissato il fermabraccio può causare danni al braccio stesso.

Funzionamento dell'interruttore Auto-stop (arresto automatico)

Alcuni tipi di dischi possono presentare un'area di arresto automatico al di fuori del limite predefinito, quindi il giradischi si può fermare prima del termine dell'ultima traccia. Se ciò accade, impostare l'interruttore **Auto-stop** su Off. Ciò consente al disco di essere riprodotto fino alla fine, ma questo non si fermerà automaticamente. Occorre alzare il braccio manualmente e collocarlo sul portabracchio, quindi spegnere l'alimentazione (OFF) per far fermare il giradischi.

Riproduzione dall'ingresso Aux

1. Impostare il selettore di **Funzione** su **Phono/Aux In**.
2. Collegare un cavo audio stereo da 1/8" (3,5 mm) (non in dotazione) dall'ingresso AUX presente sul pannello anteriore del Superior LP all'uscita di linea o all'uscita cuffie del dispositivo audio esterno per ascoltare la fonte esterna tramite le casse interne del Superior LP.
3. Regolare il volume del Superior LP sul livello desiderato.

Nota bene: se l'uscita di linea del dispositivo esterno è collegata, occorre solo regolare il comando di volume del sistema. Se l'uscita cuffie del dispositivo esterno è collegata, può essere necessario regolare il volume sia sul dispositivo esterno sia sul Superior LP per ottenere il volume desiderato.

Riproduzione di un CD

Possibilità di utilizzare CD audio e CD dati standard. I seguenti tipi di file sono riproducibili dai CD dati:

- MP3
- WAV
- WMA

Nota bene: se un CD contiene più di 999 file in una cartella, i file al di sopra del 999 non appariranno correttamente a display. Sistemare i file in cartelle che contengano un massimo di 999 file ciascuna.

Caricamento ed espulsione di un CD

1. Posizionare il selettore di **Funzione** su **CD/USB**.
2. Aprire il vassoio del disco premendo il tasto **Open/Close** sullo sportello CD.
3. Quando il vassoio del disco è aperto, collocarvi il disco con l'etichetta rivolta verso l'alto. Posizionare dischi più piccoli al centro del vassoio CD.
4. Chiudere il vassoio del disco. Il numero totale di tracce presenti sul CD compare sul display a LED e la riproduzione inizierà automaticamente.

CD Repeat

1. Per ascoltare la stessa traccia ripetutamente durante la riproduzione di un CD, premere il tasto **Mode** una volta. Sul display a LED compare la scritta "ONE".
2. Per riprodurre l'intero disco ripetutamente, premere due volte **Mode**. Sul display a LED compare la scritta "ALL".
3. Per annullare la riproduzione ripetuta, premere il tasto **Stop**.

Programmazione dell'ordine di riproduzione delle tracce CD

Seguire le presenti istruzioni per programmare l'ordine di riproduzione delle tracce presenti su un CD.

Nota bene: la riproduzione del CD deve essere interrotta prima di programmare l'ordine delle tracce.

1. Premere il tasto **Program**.
2. Premere il tasto **Backward/Forward** per selezionare il punto in cui la traccia deve essere memorizzata (vale a dire traccia 03).
3. Premere il tasto **Program**. La prima scelta è ora memorizzata nella memoria programmata.
4. Per ascoltare una traccia programmata, premere il tasto **Play/Pause**. La riproduzione del CD inizierà dall'inizio della prima traccia programmata.
5. Per cancellare la memoria programmata, durante la riproduzione del disco premere il tasto **Stop** due volte.

Riproduzione da drive flash USB

I seguenti tipi di file sono riproducibili da drive flash USB:

- AAC/M4A
- AIFF/AIF
- Lettore
- WAV
- WMA

Per riprodurre un file:

1. Posizionare il selettore di **Funzione** su **CD/USB**.
2. Collegare il drive flash USB su porta USB.
3. Tenere premuto questo **Stop/USB/Bluetooth** tasto per 2 secondi per commutare per modalità USB. Il numero totale di tracce verrà illustrato a display e inizierà a suonare automaticamente.
4. Premere il tasto **Stop** per interrompere la riproduzione.

Nota bene: l'apparecchio può leggere drive USB in formato FAT32 da 32GB o meno.

Nota bene: se un drive flash USB contiene più di 999 file in una cartella, i file al di sopra del 999 non appariranno correttamente a display. Sistemare i file in cartelle che contengano un massimo di 999 file ciascuna

Ascoltare la radio

1. Posizionare il selettore **Funzione** su **Radio/Bluetooth**.
2. Selezionare la frequenza desiderata (AM o FM) servendosi dell'interruttore **FM/AM/Bluetooth** (**FM/Bluetooth** su apparecchi UE).
Nota bene: i dispositivi UE possono unicamente selezionare FM.
3. Selezionare la stazione radio desiderata girando la manopola **Tuning**.
4. Regolare il volume come desiderato.
5. Una volta finito di ascoltare la radio, impostare il selettore **Funzione** su OFF per spegnere la radio.

Nota bene: il ricevitore ha un'antenna FM incorporata fissata a livello della parte posteriore dell'alloggiamento. Questo filo va srotolato ed esteso per ottenere la migliore ricezione possibile.

Specifiche tecniche

Potenza di uscita altoparlante	2W + 2W
Risposta di frequenza	60-20.000 Hz
Motore	Servo motore CC
Trasmissione	Trasmissione a cinghia
Velocità	33 -1/3, 45 e 78 giri
Livello di uscita	500 mV a 1 kHz
Impedenza	4 ohm
Tipo di cartuccia	Cartuccia stereo in ceramica
Tipi di file supportati su CD dati	AAC/M4A, AIFF/AIF, MP3, WAV, WMA
Tipi di file supportati su drive flash USB	MP3, WAV, WMA
Registrata MP3 Formato file	192 kB/s, 44.1 kHz
Tensione	120V AC, 60 Hz (US/CA) 230V AC, 50 Hz (UE)
Consumo	20W
Dimensioni (larghezza x profondità x altezza)	18,5" x 15" x 9,6" 47 cm x 38,1 cm x 24,3 cm
Peso	8,6 kg (18,9 lb)

Le specifiche tecniche possono variare senza preavviso.

* La portata del Bluetooth è influenzata da pareti, ostacoli e movimento. Per ottenere prestazioni ottimali, collocare il prodotto al centro della stanza in modo che non sia ostacolato da pareti, mobili, ecc.

Schnellstart-Anleitung (Deutsch)

Lieferumfang

Superior LP
45 RPM Adapter
Schnellstart-Anleitung
Sicherheitshinweise und Garantieinformationen

Kundendienst

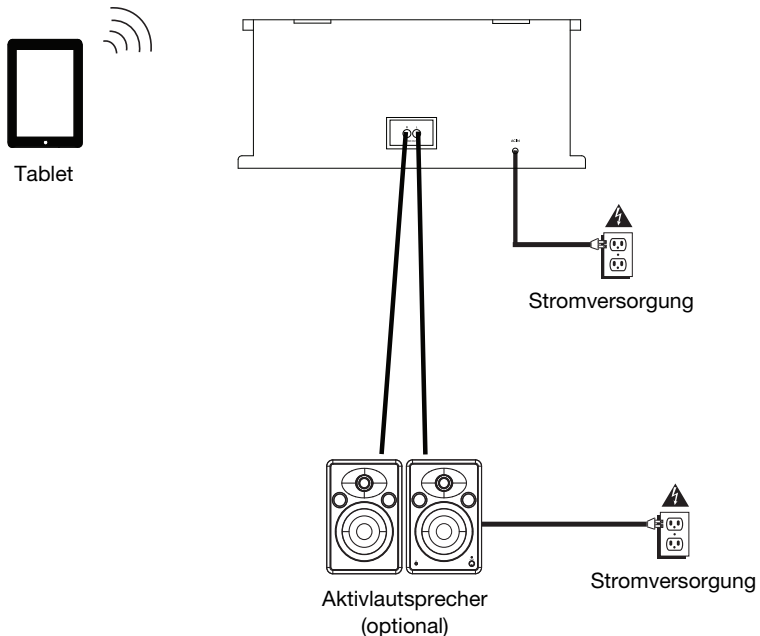
Für die neuesten Informationen zu diesem Produkt (Systemanforderungen, Informationen zur Kompatibilität etc.) und für die Produktregistrierung besuchen Sie ionaudio.com.

- Stellen Sie das Gerät nicht auf einen dicken Teppichboden oder an einen schlecht belüfteten Ort.
- Stellen Sie das Gerät auf eine flache, ebene Oberfläche, fernab von jeglichen Vibrationsquellen.

Schnelles Einrichten

Anschlussdiagramm

Teile, die nicht im **Lieferumfang** angegeben sind, sind separat erhältlich.



Funktionen

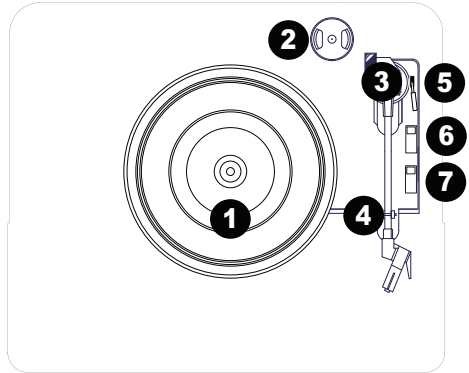
Vinyl-Modus

1. **Plattenteller:** Hier platzieren Sie Ihre Schallplatte.
2. **45 RPM-Adapterhalterung:** Sichert den mitgelieferten 45 RPM-Adapter. Wenn Sie den Adapter nicht verwenden, legen Sie ihn bitte in diese Haltevorrichtung.
3. **Tonarm:** Der Tonarm kann mit der Hand oder durch Drücken des entsprechenden Hebels angehoben und abgesenkt werden.
4. **Arm-Clip:** Dieser speziell entworfene Arm-Clip sichert den Tonarm, wenn er nicht verwendet wird. Der Arm-Clip wurde so designt, dass er in der oberen Position bleibt, wenn er entsperrt ist.
5. **Hebel:** Hebt und senkt den Tonarm.
6. **33 / 45 / 78 RPM-SCHALTER:** Regelt die Geschwindigkeit des Plattentellers.

Hinweis: Für die Wiedergabe von 78 RPM Schallplatten verwenden Sie idealerweise eine 78 RPM-Nadel (separat erhältlich). Verwenden Sie für 78 RPM Schallplatten ausschließlich 78 RPM-Nadeln.

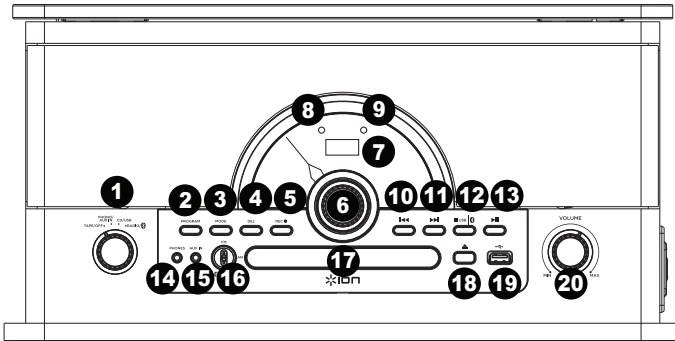
7. **Autostop-Schalter:** Dieser Schalter schaltet Autostop ein oder aus. Wenn Autostop eingeschaltet ist, wird der Plattenteller zu rotieren beginnen, sobald der Tonarm über die Schallplatte gelegt wird und stoppen, wenn die Platte das Ende erreicht hat. Wenn Autostop ausgeschaltet ist, wird sich der Plattenteller immer und unabhängig von der Position des Tonarms drehen.

Hinweis: Wenn Ihre Schallplatte stoppt, bevor sie das Ende des Songs erreicht hat, bringen Sie Autostop für diese spezielle Schallplatte in die Position AUS. Dies wird in der Regel für 45 RPM Schallplatten empfohlen.



WICHTIG: Entfernen Sie die Plastikabdeckung des Tonabnehmers (Nadelabdeckung) bevor Sie den Plattenspieler verwenden.

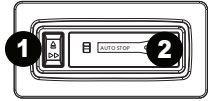
***WARNUNG:** Die Cinch-Ausgänge sind LINE-Level. Bitte schließen Sie sie nur an LINE-Level-Eingänge an. Sie können Ihren Receiver beschädigen, wenn Sie ein LINE-Level-Gerät an einen PHONO-Level-Eingang anschließen.



1. **Funktionswahlschalter:** Drehen Sie diesen Regler, um die gewünschte Quelle auszuwählen: Kassette/Aus, Phono/Aux In, CD/USB oder Radio/Bluetooth.
2. **Programm-Taste:** Drücken Sie diese Taste, um CD-Tracks in einer bestimmten Reihenfolge zu programmieren.
3. **Modus:** Wählt aus, wie die Tracks am USB-Stick oder der CD wiedergegeben werden: "ONE" (Spielt den gleichen Track wiederholt ab), "FOL" (wiederholt die Tracks im selben Ordner), "ALL" (spielt alle Tracks wiederholt ab) oder "NOR" (normale Wiedergabereihenfolge ohne Wiederholungen).
4. **Taste Löschen:** Drücken Sie diese Taste, um Tracks oder Ordner von einem USB-Stick zu löschen.
5. **Rec:** Drücken Sie diese Taste, um in den USB-Aufnahmemodus zu wechseln, wenn ein USB-Stick angeschlossen ist.
6. **Radiofrequenzwähler:** Drehen Sie diesen Regler, um zwischen AM- oder FM-Sendern auszuwählen.
Hinweis: EU-Geräte können nur FM-Sender auswählen.
7. **Display:** Zeigt den aktuellen Modus und die Track-Nummer.
8. **Power-LED:** Diese LED leuchtet, wenn das Gerät eingeschaltet ist.
9. **Bluetooth-LED:** Diese LED blinkt, wenn sich das Gerät im Koppel-Modus befindet und leuchtet durchgehend, wenn es mit einem Bluetooth-Lautsprecher gekoppelt ist.
10. **Zurück:** Drücken Sie diese Taste, um zur/zum vorherigen USB-Datei, Bluetooth-Track oder CD-Track zu springen.
Hinweis: Bei der Wiedergabe von Bluetooth-Quellen kann es in einigen Apps sein, dass das Drücken von "Zurück" auf eine andere Wiedergabeliste oder ein anderes Musik-Genre schaltet.
11. **Überspringen:** Drücken Sie diese Taste, um zur/zum nächsten USB-Datei, Bluetooth-Track oder CD-Track zu springen.
Hinweis: Bei der Wiedergabe von Bluetooth-Quellen kann es in einigen Apps sein, dass das Drücken dieser Taste auf eine andere Wiedergabeliste oder ein anderes Musik-Genre schaltet.
12. **Stopp/USB/Bluetooth:** Mit dieser Taste können Sie die Aufnahme auf den USB-Stick beenden. Drücken Sie diese Taste, um die Wiedergabe eines USB-Tracks, CD-Tracks oder Bluetooth-Tracks zu beenden. Ist der Funktionswahlschalter auf USB/CD eingestellt, halten Sie diese Taste 2 Sekunden lang gedrückt, um zwischen CD-Modus und USB-Modus zu wechseln. Ist der Funktionswahlschalter auf Radio/Bluetooth eingestellt, halten Sie diese Taste 2 Sekunden lang gedrückt, um ein gekoppeltes Bluetooth-Gerät zu trennen.
13. **Wiedergabe/Pause:** Drücken Sie kurz auf diese Taste, um die Tracks von CD-, USB- und Bluetooth-Quellen zu spielen/pausieren.
14. **Kopfhörerausgang:** Wenn Kopfhörer angeschlossen sind, wird der interne Lautsprecher stumm geschaltet.
15. **Aux-Eingang:** Verbinden Sie den Ausgang eines Line-Level-Geräts mit diesem Eingang, beispielsweise von einem Smartphone, Media-Player, Tablet etc.
16. **FM/AM/Bluetooth (FM/Bluetooth für EU-Geräte):** Drücken Sie diesen Schalter, um zwischen FM, AM, und Bluetooth-Quellen zu wechseln.
Hinweis: Bei EU-Geräten können Sie nur zwischen FM und Bluetooth wählen.
17. **CD-Fach:** Legen Sie hier Ihre CD ein. Dieses Gerät ist auf die Wiedergabe von im Handel erhältlichen CDs, richtig gebrannten und finalisierten CD-Rs, CD-RWs und MP3-CDs ausgelegt.
18. **Öffnen/Schließen:** Drücken Sie diese Taste, um das CD-Fach zu öffnen oder zu schließen.
19. **USB-Anschluss:** Spielen Sie Tracks von Ihrem USB-Stick oder nehmen Sie Songs auf Ihren USB-Stick auf.
20. **Lautstärke:** Stellt die Lautstärke für die internen Lautsprecher und den Kopfhörerausgang ein.

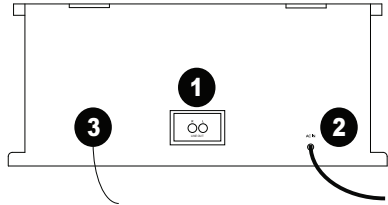
Seitenteil

1. **Taste Kassette Auswerfen/Schnellvorlauf (FF):** Betätigen Sie diese Taste, um die Kassette auszuwerfen. Halten Sie diese Taste gedrückt, um die Kassette schnell vorzuspulen.
2. **Kassettenklappe:** Legen Sie Ihre Kassette hier ein.



Rückseite

1. **Line-Ausgang:** Schließen Sie diesen Ausgang an einen Empfänger, Verstärker oder Aktivlautsprecher an.
Hinweis: Der Lautstärkereglер des Superior LP wird die Lautstärke nicht anpassen, wenn der Line-Ausgang verwendet wird.
2. **Stromversorgung:** Das integrierte Netzkabel wird hier angeschlossen.
3. **FM-Antenne:** Richten Sie diese Antenne aus, um den optimalen FM-Radioempfang zu erzielen. Für den AM-Empfang (nur bei US/CA-Geräten) drehen Sie das Gerät bis Sie den besten Empfang gefunden haben.



Aufnahme

Aufnahme von einer CD

1. Bringen Sie den **Funktionswahlschalter** auf **CD/USB**.
2. Stecken Sie den USB-Stick in den USB-Port.
3. Drücken Sie die Taste **Aufnahme**. Auf der Anzeige wird für 3 Sekunden „REC“ und dann „ONE“ angezeigt. Drücken Sie die Taste **Zurück/Vorwärts**, um auszuwählen, ob Sie „ONE“ (einen) Track oder „ALL“ (alle) Tracks aufnehmen möchten und drücken dann die Taste **Aufnahme**, um dies zu bestätigen.
4. Drücken Sie die Taste **Zurück/Vorwärts**, um den Track auszuwählen und dann die Taste **Aufnahme**, um dies zu bestätigen. „REC“ und „Track-Nr.“ (Track-Nummer) werden wechselnd eingeblendet, um anzuzeigen, dass der Track aufgenommen wird.
5. Drücken Sie die Taste **Stopp**, um die Aufnahme zu stoppen.
Hinweis: Manche Original-CDs können möglicherweise nicht aufgenommen werden, wenn sie kopiergeschützt sind.

Aufnahme von einer MP3-Disc

1. Bringen Sie den **Funktionswahlschalter** auf **CD/USB** und legen die MP3-Disc in das CD-Fach.
2. Stecken Sie den USB-Stick in den USB-Port.
3. Drücken Sie die Taste **Aufnahme**. Auf der Anzeige wird 3 Sekunden lang „REC“ und dann „ONE“ angezeigt.
4. Drücken Sie die Taste **Zurück/Vorwärts**, um "ONE" (einen) Track, "FOL" (einen Ordner) oder "ALL" (alle) Tracks aufzunehmen. Betätigen Sie die Taste **Aufnahme**, um zu bestätigen. "REC", "Ordernummer" und "Anzahl aller Tracks" werden wechselnd angezeigt, um zu zeigen, dass aufgenommen wird.
5. Drücken Sie die Taste **Stopp**, um die Aufnahme zu stoppen.

Aufnahme vom Plattenspieler

1. Stellen Sie den **Funktionswahlschalter** auf **Phono/Aux In** ein.
2. Stecken Sie den USB-Stick in den USB-Port.
3. Setzen Sie den Tonarm auf die gewünschte Position auf der Platte.
4. Drücken Sie die Taste **Aufnahme**. „REC“ wird 3 Sekunden lang im Display angezeigt. Anschließend werden "REC" und "PHO" wechselnd eingeblendet, um anzuzeigen, dass aufgenommen wird.
5. Drücken Sie die Taste **Stopp**, um die Aufnahme zu stoppen.

Aufnahme vom Radio (nur FM-Band)

1. Stellen Sie den **Funktionswahlschalter** auf **Radio/Bluetooth** ein.
2. Stecken Sie den USB-Stick in den USB-Port.
3. Wählen Sie die FM-Radiostation mit dem **Frequenzwähler**.
4. Drücken Sie die Taste **Aufnahme**.
5. Drücken Sie die Taste **Stopp**, um die Aufnahme zu stoppen.

Aufnahme einer Kassette

1. Stecken Sie den USB-Stick in den USB-Port.
2. Stellen Sie den **Funktionswahlschalter** auf **Kassette/Aus**.
3. Legen Sie die Kassette mit der breiteren Kassettenseite nach rechts zeigend in das Kassettenfach. Die Kassette spielt automatisch.
4. Drücken Sie die Taste **Aufnahme**. „REC“ wird 3 Sekunden lang im Display angezeigt und dann werden "REC" und "TAP" wechselnd eingeblendet, um anzuzeigen, dass aufgenommen wird.
5. Drücken Sie die Taste **Stopp**, um die Aufnahme zu stoppen.

Aufnahme vom Aux-Eingang

1. Stecken Sie den USB-Stick in den USB-Port.
2. Stellen Sie den **Funktionswahlschalter** auf **Phono/Aux In** ein.
3. Schließen Sie Ihr externes Audiogerät an und beginnen Sie seine Wiedergabe.
4. Drücken Sie die Taste **Aufnahme**. "REC" wird 3 Sekunden lang im Display angezeigt. Anschließend werden "REC" und "AUX" wechselnd eingeblendet, um anzuzeigen, dass aufgenommen wird.
5. Drücken Sie die Taste **Stopp**, um die Aufnahme zu stoppen.

Bluetooth-Wiedergabe

1. Stellen Sie den Funktionswahlschalter auf **Radio/Bluetooth** und den **FM/AM/Bluetooth**-Schalter (**FM/Bluetooth** auf EU-Geräten) auf die Bluetooth-Position. Die Bluetooth-Anzeige blinkt.
2. Die Koppel-Anzeige blinkt schnell. Wenn Sie eine Verbindung herstellen möchten, bleiben Sie innerhalb von 10 Metern (33 Fuß) des Superior LP.
3. Schalten Sie Bluetooth auf Ihrem Handy oder Tablet ein, um die Geräte zu koppeln. Wählen Sie "Superior LP" als Bluetooth-Gerät.
4. Wenn die Geräte erfolgreich gekoppelt und verbunden wurden, leuchtet die Bluetooth-Anzeige durchgehend.
5. Um die Verbindung zum aktuell gekoppelten Bluetooth-Gerät zu trennen und eine Verbindung mit einem anderen Bluetooth-Gerät herzustellen, halten Sie die Taste **Stopp/USB/Bluetooth** 2 Sekunden lang gedrückt.
Hinweis: Wenn Ihr Bluetooth-Gerät die Eingabe eines Koppel-Codes anfordert, geben Sie "0000" ein.

Wiedergabe von Kassetten

1. Stellen Sie den **Funktionswahlschalter** auf **Kassette/Aus**.
2. Legen Sie die Kassette mit der breiteren Kassettenseite nach rechts zeigend in das Kassettenfach. Die Kassette spielt automatisch.
3. Drücken Sie die Taste **Auswerfen/Schnellvorlauf** zur Hälfte herunter, um zwischen Vorspulen und Wiedergabe umzuschalten. Lassen Sie die **FF-Taste** (Schnellvorlauf) los, um die Wiedergabe zu starten.
4. Drücken Sie die Taste **Auswerfen/Schnellvorlauf** ganz herunter, um die Kassette auszuwerfen.

Wiedergabe über den Plattenspieler

Führen Sie vor der Anwendung folgende Schritte aus:

- Entfernen Sie den Nadelschutz. Setzen Sie die Schutzkappe wieder auf die Plattennadel auf, wenn Sie das Gerät nicht verwenden.
 - Achten Sie darauf, dass sich der Tonarm frei vom Tonarmhalter entfernen lässt. Verriegeln Sie den Tonarm wieder am Halter, wenn er nicht in Gebrauch ist.
1. Stellen Sie den **Funktionswahlschalter** auf **Phono/Aux In** und nehmen die Staubabdeckung des Plattenspielers ab.
 2. Legen Sie eine Platte über die mittige Spindel auf die Slipmat am Plattenteller.
 3. Stellen Sie den **Geschwindigkeitsregler** je nach Platte auf 33, 45 oder 78 Umdrehungen pro Minute.
 4. Heben Sie den Tonarm vom Tonarmhalter, indem Sie den Hebel verwenden. Bringen Sie den Tonarm behutsam über die Platte. Der Plattenteller beginnt sich zu drehen.
 5. Setzen Sie den Tonarm auf die gewünschte Stelle auf der Platte.
 6. Senken Sie den Tonarm behutsam auf die Platte, um die Wiedergabe zu beginnen.
 7. Wenn das Ende der Platte erreicht ist, stoppt der Tonarm automatisch. Heben Sie den Tonarm von der Platte und setzen ihn wieder in den Halter zurück.
 8. Um die Platte manuell zu stoppen, heben Sie den Tonarm von der Platte und setzen ihn wieder in den Halter zurück.

Hinweis: Versuchen Sie nie, den Plattenteller manuell anzuhalten oder zu drehen. Ist der Tonarm nicht im Halter gesichert können Bewegungen oder Erschütterungen des Plattenspielers den Tonarm beschädigen.

Auto-Stopp-Betrieb

Bestimmte Platten haben einen Auto-Stopp-Bereich außerhalb der voreingestellten Grenze. Der Plattenspieler beendet die Wiedergabe in diesem Fall vielleicht schon vor dem Ende des letzten Tracks. Ist dies der Fall, stellen Sie den **Auto-Stopp**-Schalter in die Position Aus. So kann eine Platte ohne automatisches Stoppen zu Ende gespielt werden. Sie müssen den Tonarm manuell anheben, wieder in den Halter legen und das Gerät ausschalten, damit sich der Plattenspieler nicht dreht.

Wiedergabe über den Aux-Eingang

1. Stellen Sie den **Funktionswahlschalter** auf **Phono/Aux In** ein.
2. Schließen Sie ein 1/8" (3,5 mm) Stereo-Audiokabel (nicht enthalten) an den AUX-EINGANG auf der vorderseite des Superior LP an und verbinden es mit dem Line-Ausgang oder Kopfhörerausgang Ihres externen Audio-Geräts, um eine externe Quelle durch die im Superior LP integrierten Lautsprecher zu hören.
3. Stellen Sie die Lautstärke am Superior LP auf das gewünschte Niveau.
Hinweis: Wenn der Line-Ausgang Ihres externen Gerätes angeschlossen ist, müssen Sie nur den Lautstärkeregel des Systems anpassen. Wenn der Kopfhörerausgang Ihres externen Gerätes in Verwendung ist, müssen Sie möglicherweise die Lautstärke sowohl auf dem externen Gerät als auch am Superior LP anpassen, um den gewünschten Pegel zu erreichen.

CD-Wiedergabe

Standard-Audio-CDs und Daten-CDs können verwendet werden. Die folgenden Dateitypen sind von Daten-CDs abspielbar:

- MP3
- WAV
- WMA

Hinweis: Wenn eine CD mehr als 999 Dateien in einem Ordner enthält, werden die Dateien über 999 nicht korrekt auf dem Display angezeigt. Arrangieren Sie Ihre Dateien in den Ordnern so, dass Sie maximal 999 Dateien in einem Ordner haben.

Einlegen und Auswerfen einer CD

1. Bringen Sie den **Funktionswahlschalter** auf **CD/USB**.
2. Öffnen Sie das CD-Fach, indem Sie die Taste **Öffnen/Schließen** am CD-Fach drücken.
3. Wenn das Fach geöffnet ist, legen Sie die CD vorsichtig mit der beschrifteten Seite nach oben in das Fach. Positionieren Sie kleinere CDs in der Mitte des CD-Fachs.
4. Schließen Sie das Disc-Fach. Die Gesamtzahl der Tracks auf der CD wird am LED-Display angezeigt. Die Wiedergabe erfolgt automatisch.

CD wiederholen

1. Um bei der Wiedergabe einer CD einen bestimmten Track wiederholt zu hören, drücken Sie einmal auf die **Modus**-Taste. Das LED-Display zeigt "ONE".
2. Um die gesamte CD wiederholt abzuspielen, drücken Sie zweimal auf **Modus**. Das LED-Display zeigt "ALL".
3. Um die wiederholte Wiedergabe abubrechen, drücken Sie die **Stopp**-Taste.

Programmieren der CD-Track-Wiedergabereihenfolge

Befolgen Sie diese Anweisungen, um die Wiedergabereihenfolge für die Tracks auf einer CD zu programmieren.

Hinweis: Die CD-Wiedergabe muss vor dem Programmieren der Wiedergabereihenfolge angehalten werden.

1. Drücken Sie die **Programmtaste**.
2. Drücken Sie die Taste **Zurück/Vorwärts**, um die Position auszuwählen, in der der Track gespeichert werden soll, z.B. Track 03.
3. Drücken Sie die **Programmtaste**. Die erste programmierte Auswahl ist nun im programmierten Speicher gespeichert.
4. Um einen programmierten Track anzuhören, drücken Sie die Taste **Wiedergabe/Pause**. Die CD wird mit dem Anfang des ersten programmierten Tracks mit der Wiedergabe beginnen.
5. Um den programmierten Speicher zu löschen, während die Disc wiedergegeben wird, drücken Sie die **Stopp**-Taste zweimal.

Wiedergabe eines USB-Sticks

Die folgenden Dateitypen sind von USB -Flash-Laufwerken spielbar:

- AAC/M4A
- AIFF/AIF
- MP3
- WAV
- WMA

Um eine Datei wiederzugeben:

1. Bringen Sie den **Funktionswahlschalter** auf **CD/USB**.
2. Verbinden Sie den USB-Stick mit einem USB-Port.
3. Halten **Stopp/USB/Bluetooth** Sie Taste 2 Sekunden lang gedrückt, um zu USB-Modus zu wechseln. Die Gesamtzahl der Tracks wird am Display angezeigt. Die Tracks werden automatisch abgespielt.
4. Drücken Sie die Taste **Stopp**, um die Wiedergabe zu stoppen.

Hinweis: Bitte beachten Sie, dass das Gerät nur USB-Sticks im FAT32-Format lesen kann, die 32 GB oder weniger beherbergen.

Hinweis: Wenn ein USB -Flash-Laufwerk mehr als 999 Dateien in einem Ordner enthält, werden die Dateien über 999 nicht korrekt auf dem Display angezeigt. Arrangieren Sie Ihre Dateien in den Ordnern so, dass Sie maximal 999 Dateien in einem Ordner haben.

Radio hören

1. Stellen Sie den **Funktionswahlschalter** auf **Radio/Bluetooth** ein.
2. Wählen Sie die gewünschte Frequenz (AM oder FM) mit dem **FM/AM/Bluetooth**-Schalter (**FM/Bluetooth** auf EU-Geräten).
Hinweis: EU-Geräte können nur FM-Stationen auswählen.
3. Wählen Sie den gewünschten Sender durch Drehen des **Tuning**-Reglers.
4. Bringen Sie die Lautstärke auf das gewünschte Niveau.
5. Wenn Sie Radio hören, bringen Sie den **Funktionswahlschalter** auf die Position OFF, um das Radio auszuschalten.

Hinweis: Der Receiver verfügt über eine eingebaute FM-Antenne, die an der Rückseite hängt. Dieser Draht sollte für den besten Empfang vollständig ausgerollt und ausgezogen werden.

Technische Daten

LautsprecherAusgangsleistung	2W + 2W
Frequenzgang	60-20.000 Hz
Motor	DC-Servomotor
Antrieb	Riemenantrieb
Tempi:	33-1/3, 45, 78 RPM
Ausgabepegel	500 mV bei 1 kHz
Impedanz	4 Ohm
Tonabnehmerart	Stereo-Keramiktonabnehmer
Unterstützte Dateitypen für Daten-CDs	AAC/M4A, AIFF/AIF, MP3, WAV, WMA
Unterstützte Dateitypen für USB -Flash-Laufwerke	MP3, WAV, WMA
Aufgenommene MP3-Dateiformat	192 kB/s, 44.1 kHz
Spannung	120V AC, 60 Hz (US/CA) 230V AC, 50 Hz (EU)
Stromverbrauch	20W
Abmessungen (Breite x Tiefe x Höhe)	18,5" x 15" x 9,6 " 47 cm x 38,1 cm x 24,3 cm
Gewicht	18,9 Pfund; 8,6 kg

Die Spezifikationen können ohne Ankündigung geändert werden.

* Die Bluetooth-Reichweite wird durch Wände, Hindernisse und Bewegungen beeinflusst. Um eine optimale Leistung zu erzielen, platzieren Sie das Gerät am besten in der Raummitte, damit es nicht durch Wände, Möbel usw. behindert wird.

Snelstartgids (Nederlands)

Inhoud van de doos

Superior LP
 45 RPM Adapter
 Snelstartgids
 Veiligheids- & Garantiehandleiding

Ondersteuning

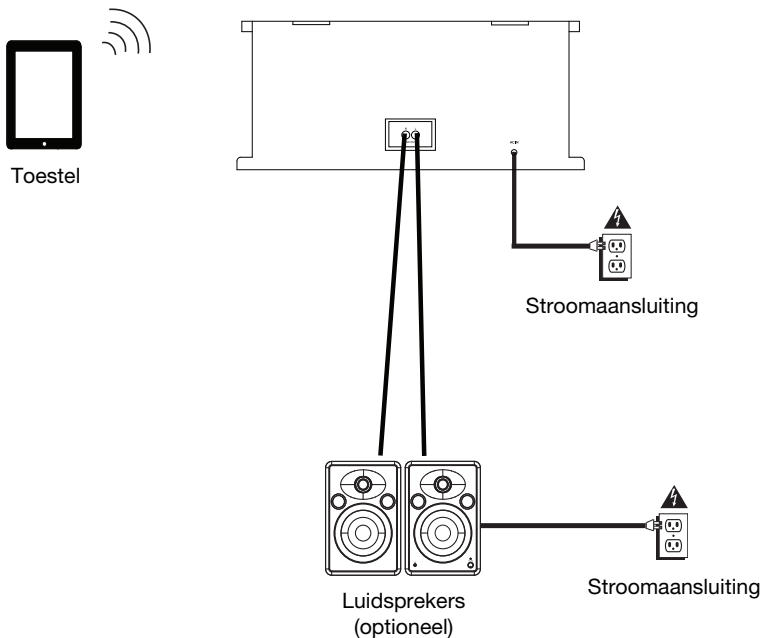
Voor de laatste informatie over dit product (systeemvereisten, compatibiliteitsinformatie, etc.) en product registratie, bezoek ionaudio.com.

- Zet deze niet op een hoogpolig tapijt of op een plek met een zwakke luchtstroom.
- Plaats het toestel op een platte egale oppervlakte, verwijderd van vibrerende bronnen.

Snelle installatie

Aansluitschema

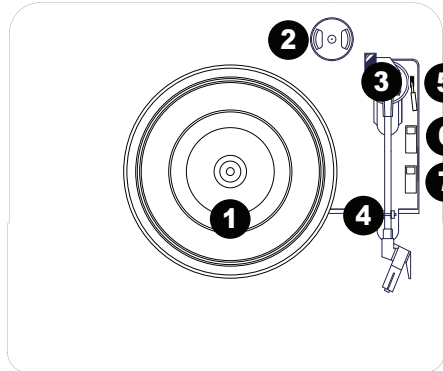
Items die niet vermeld worden onder **Inhoud van de doos** worden apart verkocht.



Functionaliteiten

Vinyl Stand

1. **Draaitafel:** Plaats hier uw schijf.
2. **45 RPM Adapter Houder:** Houdt de 45 RPM adapter bij. Wanneer de adapter niet gebruikt wordt, gelieve deze in de houder te plaatsen.
3. **Toonarm:** De gefixeerde toonarm kan manueel omhoog en omlaag gebracht worden of door te duwen op de omhoog/omlaag hendel.
4. **Arm Clip:** Deze speciaal ontworpen arm clip bevestigt de toonarm wanneer deze niet wordt gebruikt. De arm clip werd ontworpen om in de omhoog positie te blijven terwijl deze ontgrendeld is.
5. **Omhoog / Omlaag Hendel:** Brengt de toonarm omhoog en omlaag.
6. **33 / 45 / 78 schakelaar:** Deze schakelaar bepaalt de snelheid van de draaitafel.

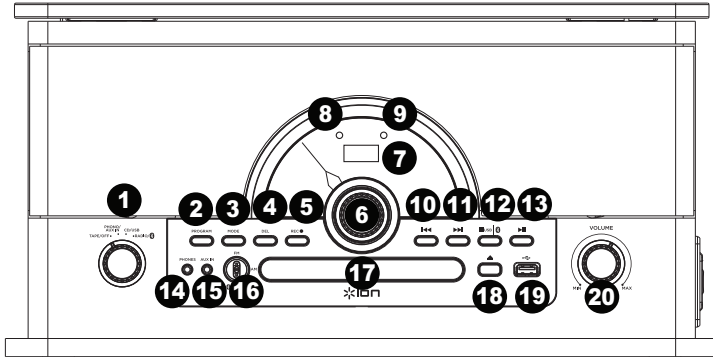


BELANGRIJK: Verwijder de plastic naald bedekking voor de draaitafel te bedienen.

***WAARSCHUWING:** De RCA uitgangen zijn op LINE niveau. Verbind deze alleen met LINE niveau ingangen. U kan uw ontvanger beschadigen indien u een LINE niveau toestel in een PHONO niveau ingang steekt.

- Opmerking:** Voor de beste resultaten bij 78 RPM vinyl schijven, gebruik een 78 stylus (apart verkocht). Gebruik alleen een 78 stylus met 78 RPM vinyl schijven.
7. **Autostop schakelaar:** Deze schakelaar zet autostop aan of uit. Wanneer autostop aan staat, zal de draaitafel beginnen draaien wanneer de toonarm op de schijf wordt geplaatst en stoppen wanneer het einde van de schijf wordt bereikt. Wanneer Autostop uit staat zal de draaitafel altijd draaien ongeacht de positie van de toonarm.
- Opmerking:** Indien uw vinyl schijf stopt voor het einde van de muziek te bereiken, zet Autostop op de uit positie voor deze schijf. Dit is aangeraden voor 45 RPM schijven.

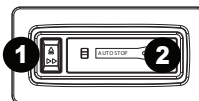
Voorpaneel



- Functietoets:** Draai aan deze knop om de bron te selecteren die u wilt gebruiken: Tape/Off, Phono/Aux In, CD/USB of Radio/Bluetooth.
- Programmaknop:** Druk op deze knop om de afspeelvolgorde van cd-nummers te programmeren.
- Modus:** Selecteert hoe de nummers op de USB-stick of cd zullen worden afgespeeld: "ONE" (herhaalt hetzelfde nummer), "FOL" (herhaalt de nummers in een map), "ALL" (herhaalt alle nummers), of "NOR" (normale speelvolgorde zonder herhaling).
- Verwijderknop:** Druk op deze knop om nummers of mappen van een USB-stick te verwijderen.
- Rec:** Druk op deze knop om USB-opnamemodus in te schakelen wanneer een USB-stick is verbonden.
- Radiofrequentieknop:** Draai aan deze knop om de AM- of FM-frequentie van de radiozender te selecteren.
Opmerking: Apparaten voor de EU kunnen alleen FM-zenders selecteren.
- Scherm:** Toont de huidige modus en het nummer.
- Stroomled:** Deze led gaat branden wanneer de stroom wordt ingeschakeld.
- Bluetooth-LED:** Deze led knippert in koppelingsmodus en blijft branden bij aansluiting met een Bluetooth-luidspreker.
- Achteruit bladeren:** Druk op deze knop om naar het vorige USB-bestand, bluetooth-nummer of cd-nummer te navigeren.
Opmerking: Als u drukt op deze knop tijdens het luisteren via Bluetooth, navigeren sommige apps naar een andere afspeellijst of muziekgenre.
- Voorwaarts bladeren:** Druk op deze knop om te navigeren naar het volgende USB-bestand, Bluetooth-nummer of nummer op cd.
Opmerking: Als u drukt op deze knop tijdens het luisteren via Bluetooth, navigeren sommige apps naar een andere afspeellijst of muziekgenre.
- Stop/USB/Bluetooth:** Druk op deze knop om de opname op de USB-stick stop te zetten. Druk op deze knop om het afspelen van een nummer via USB, cd of Bluetooth stop te zetten. Als de functieknop op USB/CD staat: druk deze knop 2 seconden lang in om over te schakelen tussen cd- en USB-modus. Als de functieknop op Radio/Bluetooth staat: druk deze knop 2 seconden lang in om de verbinding met een gekoppeld Bluetooth-apparaat te verbreken.
- Afspelen/pauzeren:** Deze knop indrukken en loslaten om nummers van cd-, USB- en Bluetooth-bronnen af te spelen/te pauzeren.
- Koptelefoonuitgang:** Wanneer een koptelefoon is aangesloten, wordt de interne luidspreker gedempt.
- Aux In:** Sluit op deze ingang de uitgang van een apparaat op lijnniveau aan, zoals een smartphone, mediaspeler, tablet, enz.
- FM/AM/Bluetooth (FM/Bluetooth voor apparaten voor de EU):** Verzet deze schakelaar om over te schakelen tussen FM-, AM- en Bluetooth-bronnen.
Opmerking: Apparaten voor de EU kunnen alleen kiezen tussen FM en Bluetooth.
- Cd-lade:** Plaats hier een cd. Dit apparaat is ontworpen voor het afspelen van commercieel verkrijgbare cd's, naar behoren gebrande en gefinaliseerde cd-r's, cd-rw's en cd's met mp3-bestanden.
- Openen/sluiten:** Druk op deze knop om de cd-lade te openen of te sluiten.
- USB-poort:** Speel nummers af van uw USB-stick of neem nummers op op uw USB-stick.
- Volume:** Regelt het geluidsniveau van de interne luidsprekers en de koptelefoonuitgang.

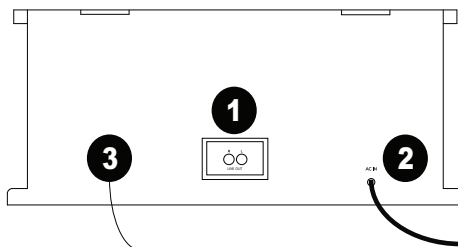
Zijpaneel

1. **Knop Cassette uitwerpen/Snel vooruitspoelen (FF):** Druk op deze knop om de cassette uit te werpen. Houd deze knop ingedrukt om de cassette snel vooruit te spoelen.
2. **Cassetteluik:** Plaats hier een cassette.



Achter paneel

1. **Line-uitgang:** Sluit deze uitgang aan op een receiver, versterker of actieve luidsprekers.
Opmerking: Wanneer de line-uitgang wordt gebruikt, werkt de volumecontrole van de Superior LP niet.
2. **Vermogen:** De geïntegreerde stroomkabel is hier verbonden.
3. **FM-antenne:** Verplaats deze draad om de FM-ontvangst te verbeteren. Voor AM-ontvangst (alleen apparaten voor de VS/CA): draai het apparaat tot u de beste ontvangst hebt.



Opnemen

Opnemen van een CD

1. Zet de functieknop op **CD/USB**.
2. Plaats de USB-stick in de USB-poort.
3. Druk op de knop **Opnemen**. Op het scherm zal 3 seconden lang "REC" knipperen, waarna "ONE" verschijnt. Druk op de knop **Achteruit/Vooruit** om te kiezen om "ONE" ("EEN") nummer of "ALL" ("ALLE") nummers op te nemen en druk op de knop **Opnemen** om te bevestigen.
4. Druk op de knop **Achteruit/Vooruit** om het nummer te selecteren en druk vervolgens op de knop **Opnemen** om te bevestigen. Afwisselend worden "REC" en "Track No." (nummer) weergegeven om aan te duiden welk nummer wordt opgenomen.
5. Druk op de **Stop**-knop om de opname stop te zetten.
Opmerking: Van sommige originele cd's kan niet worden opgenomen als ze beschermd zijn tegen opnemen.

Opnemen van een MP3-CD

1. Zet de functieknop op **CD/USB** en plaats de mp3-cd in de cd-lade.
2. Plaats de USB-stick in de USB-poort.
3. Druk op de knop **Opnemen**. Op het scherm gaat 3 seconden lang "REC" knipperen, waarna "ONE" ("EEN") verschijnt.
4. Druk op de knop **Achteruit/Vooruit** om "ONE" ("EEN") nummer op te nemen, een "FOL" (map) of "ALL" ("ALLE") nummers. Druk op de knop **Opnemen** om te bevestigen. Afwisselend verschijnt "REC", "mapnummer" en "totaalaantal nummers", om aan te geven wat wordt opgenomen.
5. Druk op de **Stop**-knop om de opname stop te zetten.

Opnemen van een draaitafel

1. Zet de functieknop op **Phono/Aux In**.
2. Plaats de USB-stick in de USB-poort.
3. Laat de toonarm zakken op de gewenste locatie op de plaat.
4. Druk op de knop **Opnemen**. Op het scherm zal 3 seconden lang "REC" knipperen, waarna "REC" en "PHO" afwisselend verschijnen, om aan te geven dat er een opname plaatsvindt.
5. Druk op de **Stop**-knop om de opname stop te zetten.

Opnemen van de radio (alleen FM)

1. Zet de functieknop op **Radio/Bluetooth**.
2. Plaats de USB-stick in de USB-poort.
3. Selecteer de FM-zender met behulp van de draaiknop **Frequentiekeuze**.
4. Druk op de knop **Opnemen**.
5. Druk op de **Stop**-knop om de opname stop te zetten.

Opnemen van een cassette

1. Plaats de USB-stick in de USB-poort.
2. Zet de **functieknop** op **Tape/Off**.
3. Plaats de cassette met de dikke kant rechts in de cassettelade. De cassette begint automatisch af te spelen.
4. Druk op de knop **Opnemen**. Op het scherm zal 3 seconden lang "REC" knipperen, waarna "REC" en "TAP" afwisselend verschijnen, om aan te geven dat er een opname plaatsvindt.
5. Druk op de **Stop**-knop om de opname stop te zetten.

Opnemen van de aux-ingang

1. Plaats de USB-stick in de USB-poort.
2. Zet de functieknop op **Phono/Aux In**.
3. Sluit uw extern audioapparaat aan en start het afspelen.
4. Druk op de knop **Opnemen**. Op het scherm zal 3 seconden lang "REC" knipperen, waarna "REC" en "AUX" afwisselend verschijnen, om aan te geven dat er een opname plaatsvindt.
5. Druk op de **Stop**-knop om de opname stop te zetten.

Bluetooth afspelen

1. Zet de functieknop op **Radio/Bluetooth** en zet de schakelaar **FM/AM/Bluetooth (FM/Bluetooth)** op apparaten voor de EU op de Bluetooth-stand. De Bluetooth-indicator gaat knipperen.
2. Het koppelingslampje gaat snel knipperen. Blijf tijdens het koppelen binnen de 10 meter (33 ft) van Superior LP.
3. Zet om te koppelen Bluetooth aan op uw smarphone of tablet. Selecteer "Superior LP" als Bluetooth-apparaat.
4. Wanneer het koppelen is geslaagd en er verbinding is gemaakt, blijft de Bluetooth-led branden.
5. Om de verbinding met het gekoppelde Bluetooth-apparaat te verbreken en te koppelen met een ander Bluetooth-apparaat: houd de **Stop/USB/Bluetooth**-knop 2 seconden lang ingedrukt.
Opmerking: Als uw Bluetooth-apparaat om een koppelingscode verzoekt, voer dan '0000' in.

Afspelen van cassettes

1. Zet de **functieknop** op **Tape/Off**.
2. Plaats de cassette met de dikke kant rechts in de cassettelade. De cassette begint automatisch af te spelen.
3. Druk de knop **Uitwerpen/Snel vooruitspoelen** voor de helft in om te kiezen tussen snel vooruitspelen en afspelen. Laat de knop **Snel vooruitspoelen** los om het afspelen te starten.
4. Druk de knop **Uitwerpen/Snel vooruitspoelen** volledig in om de cassette uit te werpen.

Afspelen van een draaitafel

Zorg ervoor voor gebruik:

- De beschermkap van de stylus te verwijderen. Plaats de beschermkap terug op de stylus wanneer het apparaat niet wordt gebruikt.
 - Dat de toonarm vrij de houder kan verlaten. Vergrendel de toonarm wanneer het apparaat niet wordt gebruikt.
1. Zet de functieknop op **Phono/Aux In** en til de stofkap van de draaitafel op.
 2. Leg een plaat op de draaitafel, op de slipmat en over de centrale stang.
 3. Zet de **Snelheidsknop** op 33, 45 of 78 rpm, afhankelijk van de plaat.
 4. Til de toonarm van de houder met behulp van de knop **Toonarmhendel** en beweeg de toonarm traag over de plaat. De draaitafel begint te draaien.
 5. Breng de toonarm naar de gewenste locatie op de plaat.
 6. Laat de toonarm traag zakken op de plaat om het afspelen te starten.
 7. Wanneer de plaat is uitgespeeld, zal de toonarm automatisch stoppen. Til de toonarm van de plaat en leg hem terug op de houder.
 8. Om de plaat manueel te stoppen: til de toonarm op van de plaat en leg hem terug op de houder.
Opmerking: De draaitafel nooit manueel stopzetten of draaien. De draaitafel bewegen of schokken zonder de klem van de toonarmhouder te vergrendelen kan de toonarm beschadigen.

Werking van de automatische stopschakelaar

Sommige platen hebben een autostopzone buiten de vooringestelde limiet, zodat de draaitafel stopt voordat het laatste nummer is beëindigd. Als dit gebeurt, zet dan de **Auto Stop-schakelaar** in uitpositie. Hierdoor speelt de plaat tot het einde, maar zal ze niet automatisch stoppen. U moet de toonarm met de hand optillen, terugplaatsen op de houder en vervolgens de stroom uitzetten om de draaitafel te stoppen.

Afspelen van Aux In

1. Zet de functieknop op **Phono/Aux In**.
2. Verbind met een stereo audiokabel (niet meegeleverd) van 1/8" (3,5mm) de AUX IN-INGANG voorpaneel Superior LP met de lijnuitgang of koptelefoonuitgang van uw extern audioapparaat om door de interne luidsprekers van Superior LP te luisteren naar een externe geluidsbron.
3. Zet het volume van Superior LP op het gewenste niveau.

Opmerking: Als de lijnuitgang van uw extern apparaat is aangesloten, hoeft u enkel de volumecontrole van het systeem te regelen. Als de koptelefoonuitgang van uw extern apparaat is aangesloten, moet u mogelijk de volumeregeling op zowel uw extern apparaat als Superior LP bijregelen om het gewenste niveau te bereiken.

Afspelen van een CD

Er kunnen standaard audio-cd's en gegevens-cd's worden gebruikt. De volgende bestandstypes kunnen worden afgespeeld van gegevens-cd's:

- MP3
- WAV
- WMA

Opmerking: Als een map op de cd meer dan 999 bestanden bevat, worden de bestanden boven 999 niet correct op het scherm weergegeven. Organiseer uw bestanden in mappen met een maximum van 999 bestanden per map.

Een cd laden en uitwerpen

1. Zet de functieknop op **CD/USB**.
2. Open de cd-lade door te drukken op de knop **Openen/sluiten** op de cd-lade.
3. Plaats de cd voorzichtig in de open lade met het label naar boven. Leg kleinere cd's in het midden van de cd-lade.
4. Sluit de cd-lade. Op het ledscherm verschijnt het totaal aantal nummers; het afspelen begint automatisch.

CD herhalen

1. Om herhaald naar hetzelfde nummer te luisteren bij het afspelen van een cd drukt u éénmaal op de **Modus-knop**. Op het ledscherm verschijnt "ONE" ("EEN").
2. Druk twee keer op **Modus** om de hele cd te herhalen. Op het ledscherm verschijnt "ALL" ("ALLE").
3. Om herhaald afspelen te annuleren: druk op de **Stop-knop**.

De afspeelvolgorde van een cd programmeren

Volg deze instructies om de afspeelvolgorde van de nummers op een cd te programmeren.

Opmerking: De cd moet worden gestopt om de afspeelvolgorde te programmeren.

1. Druk op de knop **Programma**.
2. Druk op de knop **Achteruit/Vooruit** om de locatie te selecteren waar het nummer moet worden opgeslagen, bv. nummer 03.
3. Druk op de knop **Programma**. De eerste geprogrammeerde selectie wordt opgeslagen in het programmageheugen.
4. Om naar een geprogrammeerd nummer te luisteren, drukt u op de knop **Afspelen/Onderbreken**. De cd begint te spelen op het begin van het eerste geprogrammeerde nummer.
5. Om het geprogrammeerde geheugen te wissen: druk op de **Stopknop** tweemaal wanneer de cd wordt afgespeeld.

Afspelen van een USB-stick

De volgende bestandstypes kunnen worden afgespeeld vanaf USB-stick:

- AAC/M4A
- AIFF/AIF
- MP3
- WAV
- WMA

Een bestand afspelen:

1. Zet de functieknop op **CD/USB**.
2. Plaats de USB-stick in de USB-poort.
3. Druk **Stop/USB/Bluetooth** knop 2 seconden lang in om over te schakelen te USB-modus. Op het scherm verschijnt het totaal aantal nummers en het automatisch afspelen begint.
4. Druk op de **Stopknop** om afspelen stop te zetten.

Opmerking: Houd er rekening mee dat het apparaat alleen USB-sticks kan lezen die geformatteerd zijn als FAT 32, met een geheugen van 32 GB of minder.

Opmerking: Als een map op de USB-stick meer dan 999 bestanden bevat, worden de bestanden boven 999 niet correct weergegeven op het scherm. Organiseer uw bestanden in mappen met een maximum van 999 bestanden per map.

Naar de radio luisteren

1. Zet de **functieknop** op de stand **Radio/Bluetooth**.
2. Selecteer de gewenste frequentie (AM of FM) met behulp van de schakelaar **FM/AM/Bluetooth (FM/Bluetooth)** op apparaten voor de EU).
Opmerking: Apparaten voor de EU kunnen alleen FM selecteren.
3. Selecteer de gewenste zender door te draaien aan de knop **Afstemmen**.
4. Zet het volume op het gewenste niveau.
5. Wanneer u klaar bent met het luisteren naar de radio, zet u de functieknop op OFF om de radio uit te zetten.

Opmerking: De receiver heeft een ingebouwde FM-antenne achteraan de behuizing. Deze draad moet volledig worden afgewikkeld en uitgerold voor een optimale ontvangst.

Technische Specificaties

Uitgangsvermogen luidsprekers	2W + 2W
Frequentiebereik:	60-20,000 Hz
Motor	Gelijkstroommotor
Aandrijfsysteem	Riemaandrijving
Snelheid	33-1/3, 45, 78 RPM
Uitgangsvermogen	500 mV @ 1 kHz
Impedantie	4 Ohm
Type cartridge	Keramische stereocartridge
Ondersteunde bestandstypen op gegevens-cd's	AAC/M4A, AIFF/AIF, MP3, WAV, WMA
Ondersteunde bestandstypen op USB-sticks	MP3, WAV, WMA
Opgenomen MP3 File Format	192 kB/s, 44.1 kHz
Spanning	120V AC, 60 Hz (VS/CA) 230V AC, 50 Hz (EU)
Stroomverbruik	20W
Afmetingen (breedte x diepte x hoogte)	18,5" x 15" x 9,6" 47 cm x 38,1 cm x 24,3 cm
Gewicht	18,9 lbs.; 8,6 kg

Specificaties kunnen veranderen zonder waarschuwing.

** Bluetooth bereik wordt beïnvloed door muren, obstakels en beweging. Voor optimale prestatie, plaats het product in het midden van de kamer zodat deze niet gestoord wordt door muren, tafels etc.*

ionaudio.com