

**ION®**

**TAILGATER® TOUGH**



Tap or click  
for technical  
support.

[ionaudio.com/support](http://ionaudio.com/support)

# TABLE OF CONTENTS

<b>INTRODUCTION .....</b>	<b>4</b>
Box Contents .....	4
Support .....	4
<b>SETUP .....</b>	<b>5</b>
Charging and Battery Information .....	5
Outdoor Use and Care .....	6
<b>FEATURES .....</b>	<b>7</b>
Front Panel .....	7
Rear Panel .....	8
<b>OPERATION .....</b>	<b>9</b>
App Control.....	9
Pairing a Bluetooth® Device .....	10
Linking Two Speakers .....	11
Using the Radio.....	12
Using the USB Charge Port.....	13
<b>TROUBLESHOOTING .....</b>	<b>14</b>

**APPENDIX..... 15**

Technical Specifications.....15

Trademarks & Licenses .....16

# INTRODUCTION

Thank you for purchasing the Tailgater® Tough. At ION, your entertainment is as important to us as it is to you. That's why we design our products with one thing in mind—to make your life more fun and more convenient.

**Note:** Before you first use the product, please fully charge the batteries. Your unit was purposely shipped with a reduced battery charge to ensure safe transit. For optimal charging, power off the speaker while charging.

Use the included USB-A to USB-C® cable to connect the unit to a 5V, 2A power adapter (not included) connected to a power outlet and let it charge for up to 5 hours (depending on the specifications of your adapter). This helps ensure the longest life for your battery.

## Box Contents

Tailgater® Tough

USB-A to USB-C® Charging Cable (3.28 ft. / 1 m)

Quickstart Guide

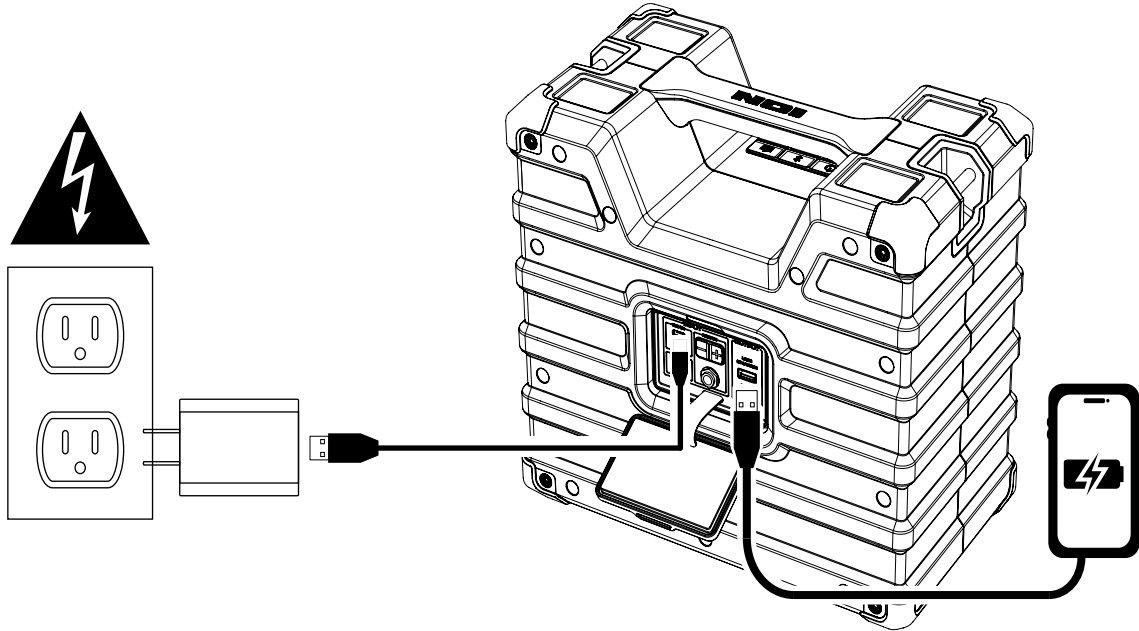
## Support

For the latest information about this product (documentation, technical specifications, system requirements, compatibility information, etc.) and product registration, visit [ionaudio.com](https://ionaudio.com).

For additional product support, visit [ionaudio.com/support](https://ionaudio.com/support).

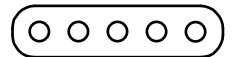
# SETUP

## Charging and Battery Information



For the quickest charging time, power off Tailgater® Tough and use the included USB-A to USB-C® cable to connect the USB-C® charging port on the rear panel of the speaker to a USB power adapter (DC 5V 2A, not included) connected to a power outlet, or your computer (powered on). A full charge can take up to 5 hours, depending on the specifications of your 5V, 2A adapter.

The **battery charging LEDs** will fill to display the battery life percentage:



- When fully charged (>95%), all 5 LEDs will be lit.
- When the battery level falls below 95%, the rightmost LED will turn off.
- When the battery level falls below 60%, the two rightmost LEDs will turn off.
- When the battery level falls below 40%, the three rightmost LEDs will turn off.
- When the battery level falls below 20%, only the leftmost LED is on (4 off).

If no audio is played through the Tailgater® Tough speaker for 15 minutes, the unit will enter a standby mode to conserve battery life. This may mean the Bluetooth signal is paused, no audio is coming through a device connected to the aux port, or the volume is set to 0. To wake the unit, simply resume audio signal or press any button.

When the Tailgater® Tough speaker is connected to a Bluetooth audio output device and no audio is playing from any source, the speaker will automatically power off after 60 minutes have passed.

Here are some other recommendations for getting the longest life from the internal battery.

**General Usage** Fully charge the battery before using it.

Avoid full discharge of the battery if possible. Li-Ion batteries are maintenance-free, and the battery will last longest when operating between 30 and 80 percent charged.

Do not use the product while charging the battery.

Do not charge the battery in exceedingly hot (greater than 90°F/32°C) or exceedingly cold (less than 32°F/0°C) temperatures.

**Storage** For best product longevity, do not store at exceedingly hot (greater than 90°F/32°C) or exceedingly cold (less than 32°F/0°C) temperatures.

For best product longevity, store product with a 50% battery charge.

If you leave the battery level low and do not charge it for 6 months, it may permanently lose capacity.

**Repair** If the battery fails to charge, contact ION Audio at [ionaudio.com](http://ionaudio.com).

**Disposal** Bring the unit to a recycling center or dispose of in accordance with local ordinances.

## Outdoor Use and Care

**Important:** The metal bars can be used to tie the speaker down with bungee cords or straps (not included) or to carry the speaker. The metal bars are **not** designed for permanent or semi-permanent suspended applications.

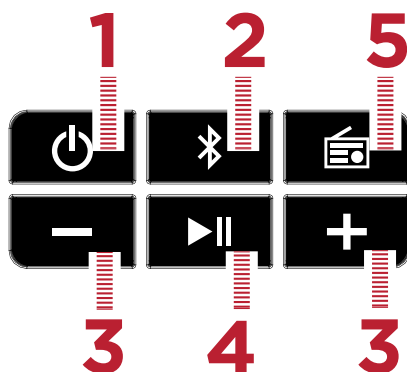
Though Tailgater® Tough is water-resistant and able to tolerate splashing water, please review the tips below to get the best performance from your Tailgater® Tough:

- Bring Tailgater® Tough indoors during extreme weather.
- Please do not place Tailgater® Tough in standing water.
- Please do not connect the power adapter to a Tailgater® Tough in a wet environment. Make sure the power input, power adapter, and power outlet are all completely dry before making any connections.
- **WARNING:** Keep any non-water-resistant devices (phones, music players, etc.) in a dry place where they will not be affected by water and cause a risk of electric shock.

# FEATURES

## Front Panel

Click a control below to jump to that section.



### 1. Power Button

Press and hold this button to turn Tailgater® Tough on and off.

Double press this button to enable or disable voice prompts.

### 2. Bluetooth® Button

Press this button to enter Bluetooth pairing mode. When connected to a Bluetooth device, double-press this button to disconnect a paired device and re-enter pairing mode, or single-press to disconnect a paired device and enter Aux mode. See [Operation > Pairing a Bluetooth® Device](#) to learn how to connect a Bluetooth device.

### 3. Previous / Next Buttons

Press these buttons to adjust the main volume. The volume will be synchronized with your connected Bluetooth device.

In FM mode, press these buttons to go to the previous or next station. Press and hold these buttons to seek the previous or next strong station.

In Bluetooth and USB modes, press and hold these buttons to go to the beginning of the current track or skip to the following track, respectively. Press the **Previous** button again within one second to skip to the previous track.

### 4. Play/Pause Button

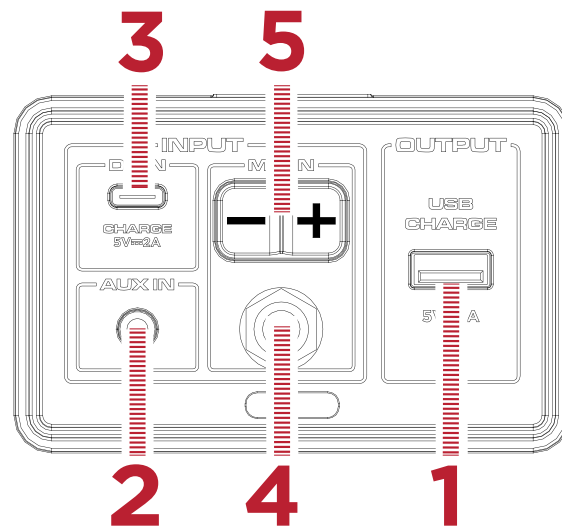
Press this button to start and stop Bluetooth or USB audio.

### 5. Radio Button

Press this button to select FM radio mode. [Operation > Using the Radio](#) to learn more.

## Rear Panel

Click a control below to jump to that section.



**Note:** Pull the tab on the protective rubber panel to release it and access the rear panel ports.

### 1. USB-A Charge Port

You can use this port for charging a USB device, such as a tablet or smartphone. To charge a device that is streaming music via Bluetooth, pause the music first and then wait for it to reconnect after the USB cable (not included) is inserted. See [Operation > Using the USB Charge Port](#) for more information.

### 2. Aux In

Connect a CD player, MP3 player, or other audio source to this 1/8" (3.5 mm) input.

### 3. USB-C® Charging Port

Connect the USB-C® end of the included cable to Tailgater® Tough here. Then connect the USB-A end to a 5V, 2A USB power adapter (sold separately) and plug it into a power outlet, or your computer (powered on). See [Setup > Charging and Battery Information](#) for more information.

### 4. Mic In

Connect a microphone (not included) to this input using a 1/4" (6.35 mm) cable. Press the **MIC In -/+** buttons to control the mic volume.

### 5. Mic In -/+ Buttons

Press these buttons to adjust the microphone volume.



# OPERATION

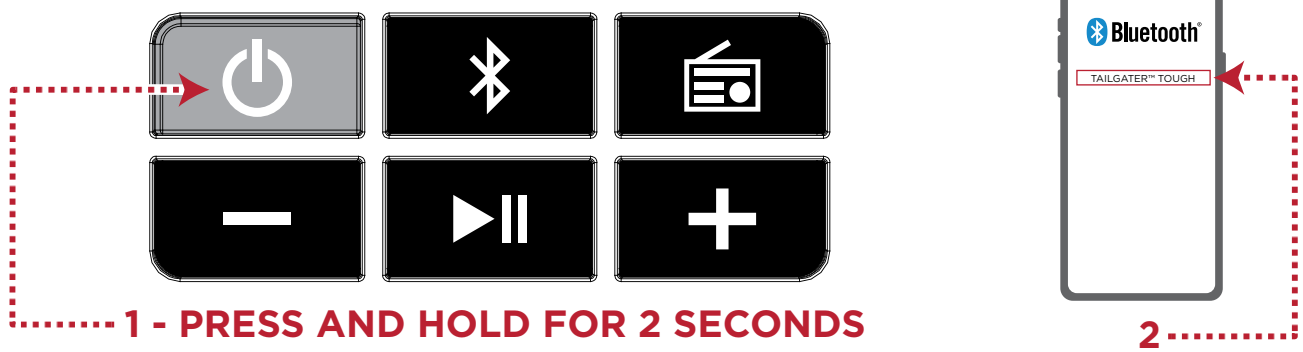
## App Control

**IMPORTANT:** To ensure the best possible experience with the app, use the most current Android OS or iOS on your device.

Follow these steps to download the free app on your device:

1. Open the Apple App Store or Google Play on your device. Then, search for the **ION Sound Control**® app.
2. Follow the on-screen instructions to download and install the app. Once downloaded, the **ION Sound Control**® app will appear on your device's home screen.
3. Connect your device to Tailgater® Tough via Bluetooth. See [Operation > Pairing a Bluetooth® Device](#) to learn how to do this.
4. Open the **ION Sound Control**® app. If prompted, allow the app to access your device's Bluetooth and Location Services.
5. Follow the steps on screen to find and connect to your Tailgater® Tough. Once connected, you can control various functions of the speaker, such as:
  - **Source Selection:** Select the source to use (Bluetooth, USB, FM, or Aux).
  - **Volume:** Adjust the speaker's volume.
  - **Mic Volume:** Adjust the volume of the Mic input.
  - **EQ:** Adjust the speaker's equalization.
  - **FM Radio Stations and Preset Selection:** Use the app to save radio preset stations. The presets on the app will sync with the presets on Tailgater® Tough.
  - **Voice Prompts:** Enable or disable the voice prompts.
  - **Battery Life:** Check the speaker's battery life status.
  - **Over-The-Air Firmware Updates:** Stay up to date with the latest firmware installation. Press and hold the **Source** button on Tailgater® Tough to view the firmware version.
  - **Support:** Visit [ionaudio.com](http://ionaudio.com), contact Technical Support, and view Warranty information and Frequently Asked Questions.

## Pairing a Bluetooth® Device



1. Turn on your Bluetooth device.
2. Power on Tailgater® Tough by holding down the **Power** button for 2 seconds.
3. Press the **Bluetooth** button to pair.
4. Navigate to your device's Bluetooth setup screen, find **TAILGATER TOUGH**, and connect. The **Bluetooth** icon will appear in the display, and if voice prompts are enabled, you will hear "Bluetooth Connected".

**Note:** If your Bluetooth device prompts for a pairing code, enter "0000".

To disconnect a paired device, do any of the following:

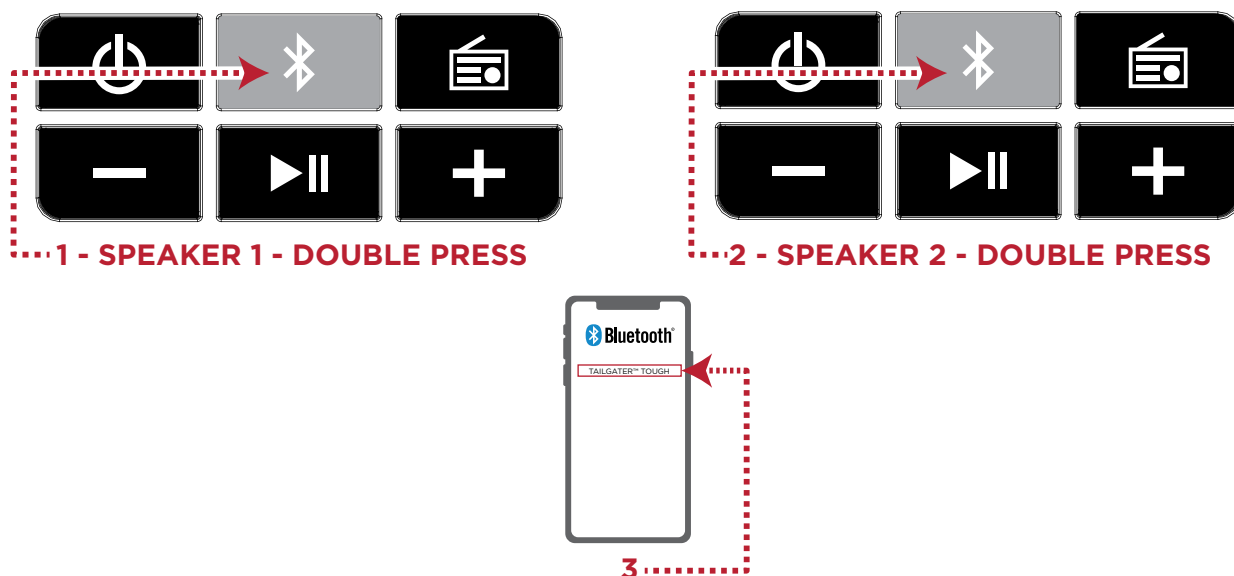
- Turn off Bluetooth from your device's Bluetooth settings. The speaker will enter Bluetooth pairing mode to make it available for another device.
- Double-press the **Bluetooth** button to disconnect and re-enter pairing mode.
- Briefly press the **Bluetooth** button to disconnect and enter Aux mode.

Once you have disconnected, you will hear "Bluetooth Disconnected" if voice prompts are enabled.

**Tip:** Double press the **Power** button to turn voice prompts on or off.

## Linking Two Speakers

If you would like to play music from a Bluetooth device, you can first “link” two Tailgater® Tough speakers together in order to listen to your music in stereo. One Tailgater® Tough will serve as the left speaker and the other will serve as the right speaker.



To link two Tailgater® Tough speakers together:

**Note:** When you begin the Stereo-Link® process, any connected Bluetooth devices will be automatically disconnected. You can also disconnect your device prior to beginning by double-pressing the **Bluetooth** button.

1. Power on speakers and press the **Bluetooth** button on each of them. Do not connect to a Bluetooth device until the Stereo-Link™ is successful.
2. After you hear the voice prompt “Bluetooth pairing,” double press **Bluetooth** button on each speaker to enter Stereo-Link™ mode and the speakers will automatically connect.

**Note:** The linking process can take up to 30 seconds to complete. The closer the two speakers are to each other, the quicker the link is established.

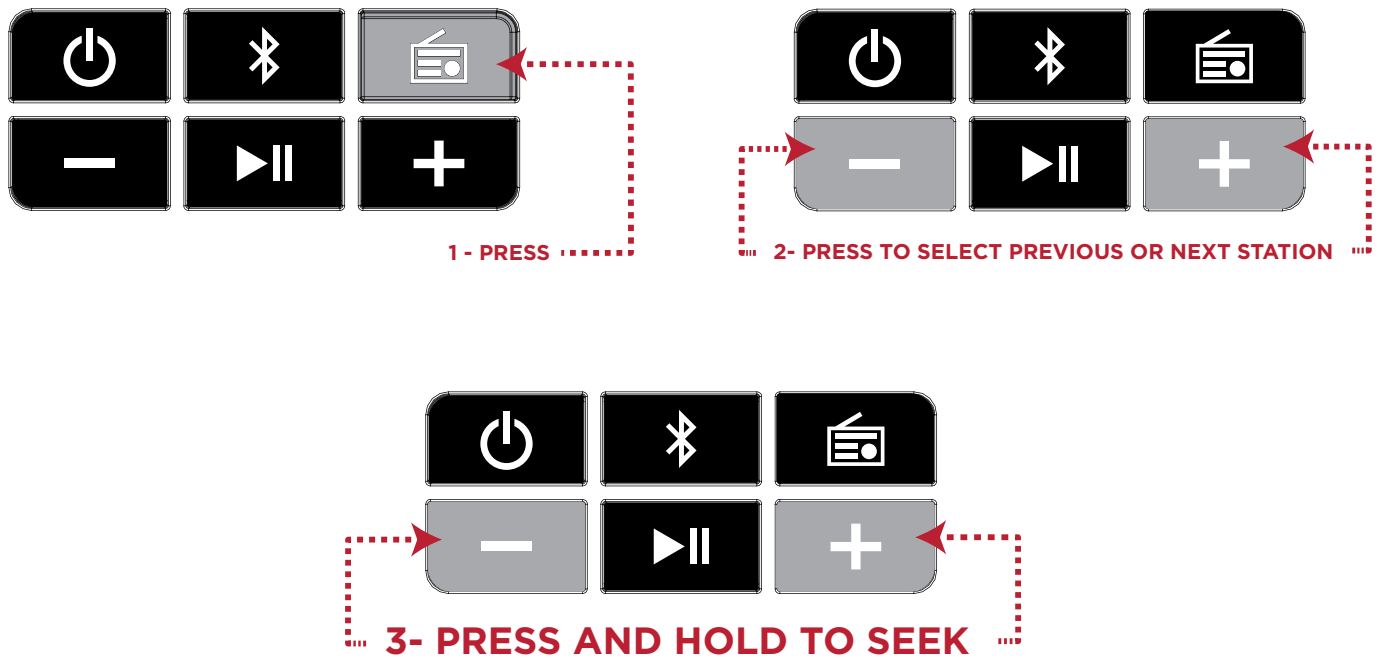
3. Once linked, the primary (left) speaker will enter Bluetooth pairing mode. Navigate to your Bluetooth device’s setup screen, find **TAILGATER TOUGH**, and connect. The Bluetooth icon on the primary speaker will flash to indicate it is searching for a Bluetooth device to pair with.

When the connection is successful, you will hear “Bluetooth Connected” from the primary speaker (if voice prompts are enabled). When audio playback begins, you should hear it through both speakers. The primary speaker will play the left channel while the secondary speaker plays the right channel. Playback controls are active on both speakers.

To disconnect two speakers or cancel linking between the two, double press the **Bluetooth** button on either speaker.

**Note:** Pressing and holding the **Power** button on the primary speaker while in Stereo-Link® mode will power off all connected speakers. Tailgater® Tough speakers powered off in Stereo-Link® mode will automatically enter Stereo-Link® mode the next time they are powered on and begin searching for secondary speakers to connect to.

## Using the Radio



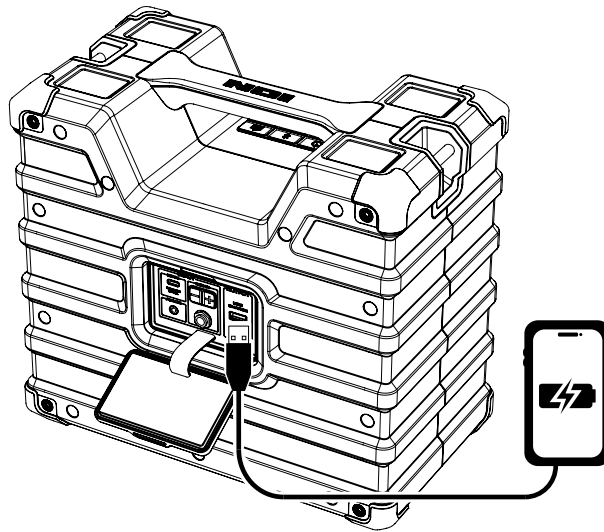
To use the radio, press the **Radio** button and **FM** radio will be selected.

While in FM mode, briefly press the **Previous** and **Next** buttons (-/+ ) to move to the previous or next station. Press and hold the -/+ buttons to seek for the next strongest station in that direction.

To save a radio station as a preset, ION Sound Control® app.

To recall a previously saved preset, briefly press the **Play/Pause** button to cycle between the 6 presets.

## Using the USB Charge Port



### To use the USB charge port:

1. Connect a USB type-A cable to the **USB Charge Port** on the rear panel of your Tailgater® Tough speaker (see image).
2. Connect the other end of the cable to the charging input on your smartphone, tablet, or other compatible device.

# TROUBLESHOOTING

**If the unit is not charging:** Make sure the USB-C® cable is properly connected to the power input, the power adapter, and the power outlet.

**If the sound is distorted:** Try lowering the volume control of your sound source.

**I hear a hum when cables are connected:**

- Disconnect cables from the input jacks to see if it's a faulty cable.
- Make sure the signal cables are not placed near power cables.
- Connect all audio equipment power cables to outlets which share a common ground.

**If there is a high-pitched whistling noise when using microphones:** This is probably feedback. Point the microphone away from the speaker.

**If you can't hear the microphone over the music volume:** Turn down the music volume from your source.

**If there is too much bass:** Try adjusting the tone or EQ control on your sound source to lower the bass level. This will allow you to play the music louder before clipping (distortion) occurs.

**If you cannot connect your audio device to Tailgater® Tough via Bluetooth:**

- Have your audio device (e.g., smartphone or tablet) and Tailgater® Tough as close together as possible while trying to connect. Make sure both the audio device and Tailgater® Tough are unobstructed by walls, furniture, etc.
- Double-press the Bluetooth button to disconnect Tailgater® Tough from any other audio device and restart the search process. If this does not work right away, power off Tailgater® Tough and then power it back on. See [Operation > Pairing a Bluetooth® Device](#) for more information.
- Reset the Bluetooth connection on your audio device by turning Bluetooth off and back on. You can find this under the Bluetooth menu in the Settings for your phone or other audio device.

If this does not work, and you have connected to Tailgater® Tough before, find Tailgater® Tough in the list of available or previously connected devices in your audio device's Bluetooth menu, tap the "gear" or "i" icon located next to it and then select **Unpair** or **Forget**. Turn Tailgater® Tough off and back on and try pairing again once it reappears in your available devices list.

**Note:** If Tailgater® Tough has been paired to another audio device recently that is still within range, you may need to repeat this process with that audio device to fully disconnect.

# APPENDIX

## Technical Specifications

<b>Speakers</b>	<b>Low Frequency:</b> 6.5" (165.1 mm) woofer <b>High Frequency:</b> 2.0" (50.8 mm) tweeter
<b>Frequency Response</b>	55 Hz – 15 kHz (-3 dB)
<b>Bluetooth</b>	<b>Profile:</b> A2DP, AVRCP <b>Bluetooth Version:</b> 5.0 <b>Range:</b> Up to 100 ft. (30.5 m) * <b>Stereo-Link® Range:</b> Up to 75 ft. (22.9 m) between speakers
<b>Battery</b>	<b>Capacity:</b> 2600mAh/11.1V, 28.86Wh <b>Battery Life:</b> Up to 10 hours ** <b>Charge Time:</b> Up to 5 hours
<b>Power</b>	<b>Cable:</b> USB-A to USB-C® Charging Cable <b>Input Voltage:</b> 5V DC, 2A
<b>Dimensions</b> (width x depth x height)	12.38" x 7.25" x 11.25" 31.4 x 18.4 x 28.6
<b>Weight</b>	10.05 lbs. 4.6 kg

Specifications are subject to change without notice.

\* Bluetooth and wireless reception and range are affected by walls, obstructions, and movement. For optimal performance, place the product so it is unobstructed by walls or furniture and is raised off the ground.

\*\* Battery life may vary based on temperature, age, and volume usage of product.

## Trademarks & Licenses

ION Audio is a trademark of inMusic Brands, Inc., registered in the U.S. and other countries.

The *Bluetooth* word mark and logos are owned by the Bluetooth SIG, Inc., and any use of such marks by ION Audio is under license.

App Store is a trademark of Apple Inc., registered in the U.S. and other countries.

Android and Google Play are registered trademarks of Google Inc. All other product names, company names, trademarks, or trade names are those of their respective owners.





[ionaudio.com](http://ionaudio.com)