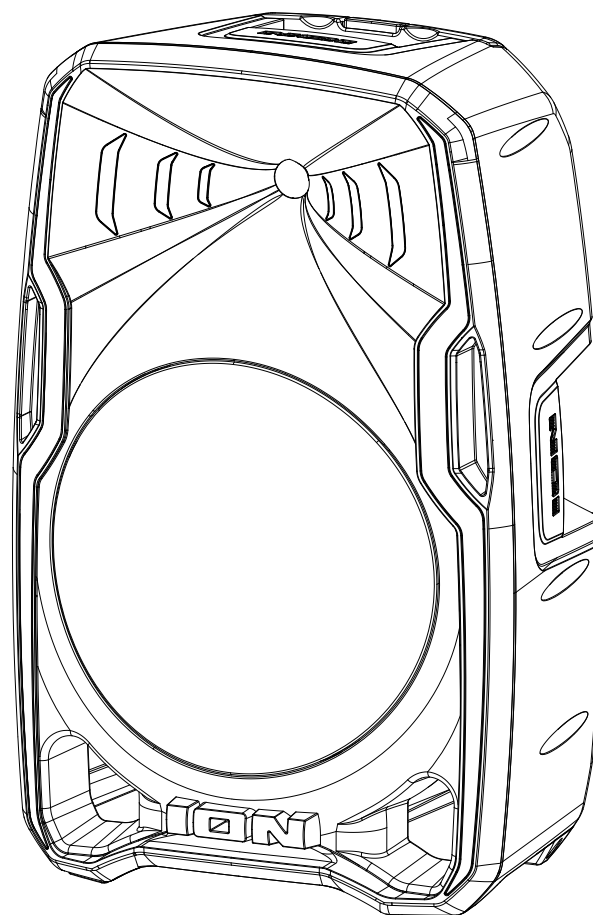


ION[®]

TOTAL PA™ APEX



User Guide

English

**Guía del
usuario**

Español

**Guide de
l'utilisateur**

Français

**Användar-
guide**

Svenska



ionaudio.com/support

IMPORTANT: RETAIN FOR FUTURE REFERENCE: READ CAREFULLY

IMPORTANT : À CONSERVER POUR RÉFÉRENCE. LISEZ ATTENTIVEMENT

IMPORTANTE : CONSERVE LAS INSTRUCCIONES PARA CONSULTAS FUTURAS: LÉALAS DETENIDAMENTE

VIKTIGT: SPARA FÖR FRAMTIDA REFERENS: LÄS NOGGRANT

TABLE OF CONTENTS

INTRODUCTION	4
Box Contents.....	4
Support.....	4
Charging and Battery Information.....	5
Quick Start.....	6
Balancing Your Levels.....	7
SETUP	8
Speaker Stand Installation.....	8
Connection Diagram	9
FEATURES	10
Rear Panel.....	10
OPERATION.....	14
Battery Care	14
Installing Batteries Into the Wireless Mic.....	14
Using the Wireless Mic.....	15
Using the Main Volume Knob.....	16
Pairing a Bluetooth® Device.....	17
Linking Two Speakers.....	18
Light Modes.....	19
USB Mode.....	21
App Control.....	22

TROUBLESHOOTING	23
APPENDIX.....	25
Technical Specifications.....	25
Trademarks & Licenses	26

INTRODUCTION

Thank you for purchasing the Total PA™ Apex. At ION, your entertainment is as important to us as it is to you. That's why we design our products with one thing in mind—to make your life more fun and more convenient.

Note: Before you first use the product, please fully charge the batteries. Your unit was purposely shipped with a reduced battery charge to ensure safe transit. For optimal charging, power off the speaker while charging.

Use the included power cable to connect the unit to a power outlet and let it charge for up to 5 hours. This helps ensure the longest life for your battery.

Box Contents

Total PA™ Apex

Power Cable (150 cm / 5 ft.)

Wireless Microphone

Speaker Stand

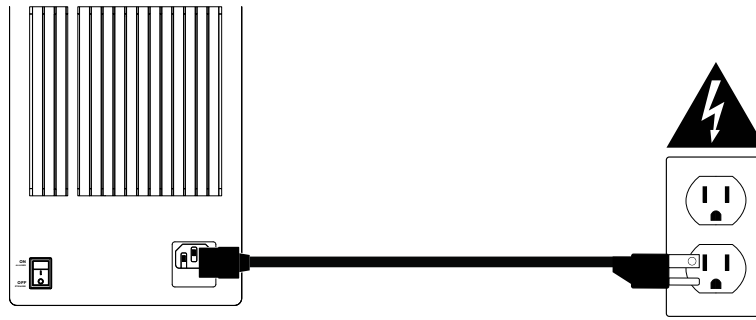
Quickstart Guide

Support

For the latest information about this product (documentation, technical specifications, system requirements, compatibility information, etc.) and product registration, visit ionaudio.com.

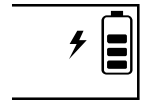
For additional product support, visit ionaudio.com/support.

Charging and Battery Information



For the quickest charging time, power off Total PA™ Apex and use the included power cable to connect the speaker to a power outlet. A full charge can take up to 5 hours.

The **lightning bolt** icon on the display will light up when Total PA™ Apex is connected to a power source and charging. The **battery icon** will fill to display the battery life percentage. When charging is complete, the lightning bolt icon will disappear, and the battery icon will be completely filled.



If no audio is played through Total PA™ Apex for 20 minutes, the unit will enter a standby mode to conserve battery life. This may mean the Bluetooth signal is paused, no audio is coming through a device connected to the aux port, or the volume is set to 0. To wake the unit, simply resume audio signal or press any button.

Here are some other recommendations for getting the longest life from the internal battery.

General Usage Fully charge the battery before using it.

Avoid full discharge of the battery if possible. Li-Ion batteries are maintenance-free, and the battery will last longest when operating between 30 and 80 percent charged.

Do not use the product while charging the battery.

Do not charge the battery in exceedingly hot (greater than 90°F/32°C) or exceedingly cold (less than 32°F/0°C) temperatures.

Storage For best product longevity, do not store at exceedingly hot (greater than 90°F/32°C) or exceedingly cold (less than 32°F/0°C) temperatures.

For best product longevity, store product with a 50% battery charge.

If you leave the battery level low and do not charge it for 6 months, it may permanently lose capacity.

Repair If the battery fails to charge, contact ION Audio at ionaudio.com.

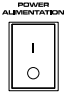


Disposal Bring the unit to a recycling center or dispose of in accordance with local ordinances.

Quick Start

1. Make sure all items listed in the [Box Contents](#) are included in the box. Look in the box under the foam sheet for the power cable and microphone.
2. Study the [Connection Diagram](#).
3. Make sure all input devices (such as microphones, CD players, or digital media players) are turned off with their volume settings set to “zero.”
4. Connect all devices as shown in the [Connection Diagram](#).
5. Switch everything on in the following order:
 - a. Audio input devices (e.g. microphones, instruments, CD players)
 - b. Total PA™ Apex
6. Adjust the level of your connected devices. Turn audio source (microphone, instruments, Bluetooth devices) volume all the way up. Then, adjust the **Source Volume** knob for the selected channel on Total PA™ Apex to an appropriate level. Finally, adjust the **Main Volume** on Total PA™ Apex to an appropriate level. For a detailed step-by-step process for setting your levels, please refer to the [Balancing Your Levels](#) section on the following page.
7. When you are finished using Total PA™ Apex, switch everything off in the following order:
 - a. Total PA™ Apex
 - b. Audio input devices

Balancing Your Levels

This process shows how you can quickly balance your microphone signal(s) and the signal from your Source Device (Bluetooth, Aux, USB). Levels for the microphones, source, and main volume can be set anywhere between 0 to 30.

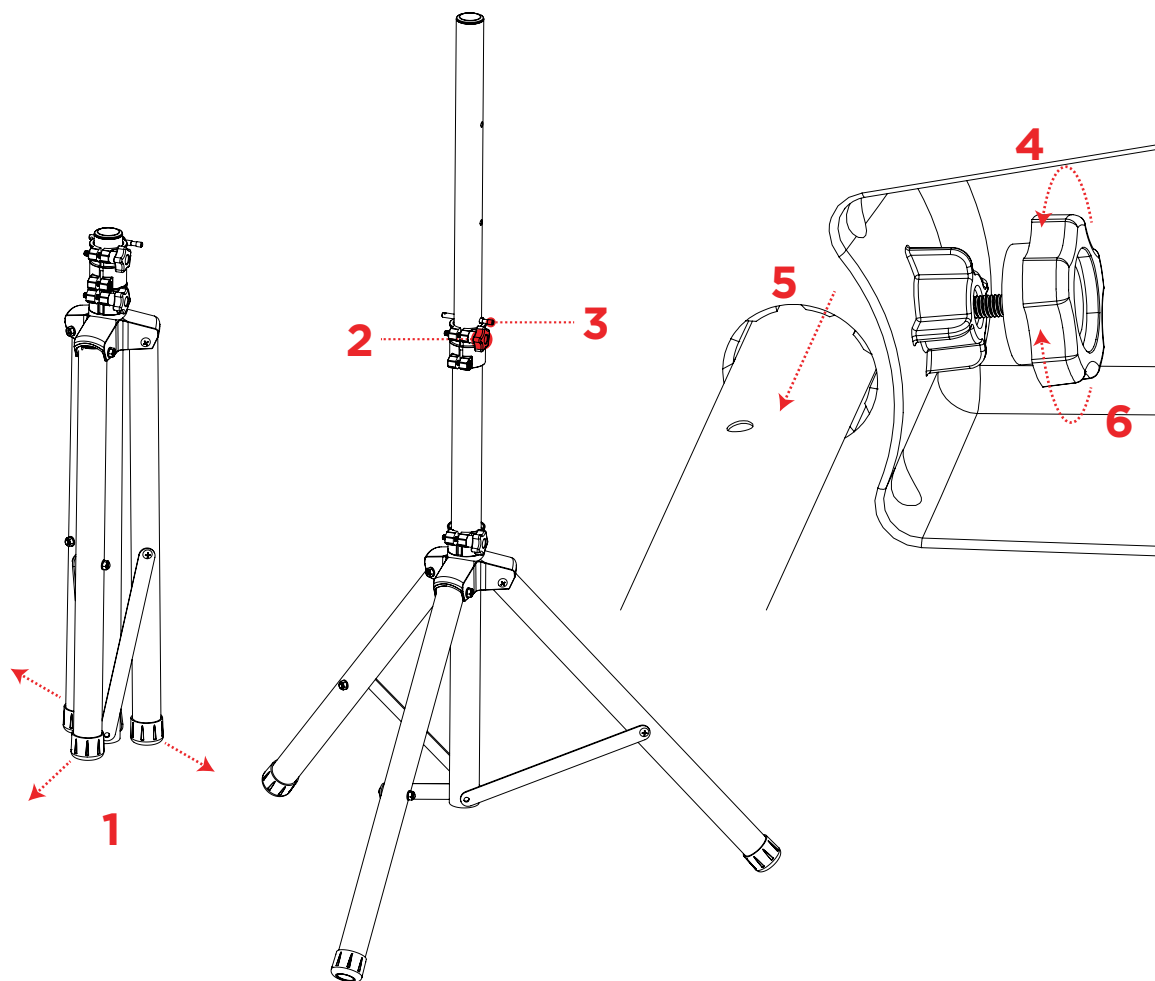
1. Power on Total PA™ Apex and the wireless microphone. Connect your preferred Bluetooth, Aux device, or USB drive. 
2. Using the **Main Volume** on the speaker, set the volume to around 10 or lower while balancing your levels. This will allow you to set your levels to a clear and audible level without being overpowering. You can adjust it again later once a balance has been achieved. 
3. Adjust the **Source Volume Knob** down to 0. We'll turn this up in a later step.
4. Set the **MIC 1 Volume** using either the +/- volume control on the microphone or the **MIC 1 Volume Knob** on the speaker. Setting the level to 25 is a good starting point if you're unsure. If using a second, wired microphone, use the **MIC 2 Volume Knob** to set the levels the same way until both microphones are clearly audible. 
5. Now, set the volume on your Aux or Bluetooth source device (phone, tablet, etc.) to 100%. This will guarantee a strong signal.
6. With the **Source Volume Knob** still set to 0, start playback on your device and slowly turn up the **Source Volume knob** on the speaker until it reaches a clear and audible level. If you are using a microphone, set the source volume level to where you can still hear the microphone above the music.
7. Once the microphone and audio source are clearly audible and balanced, use the **Main Volume** knob to set the overall output level of the speaker to your desired volume.

For specific troubleshooting steps, please see the [Troubleshooting](#) section.

SETUP

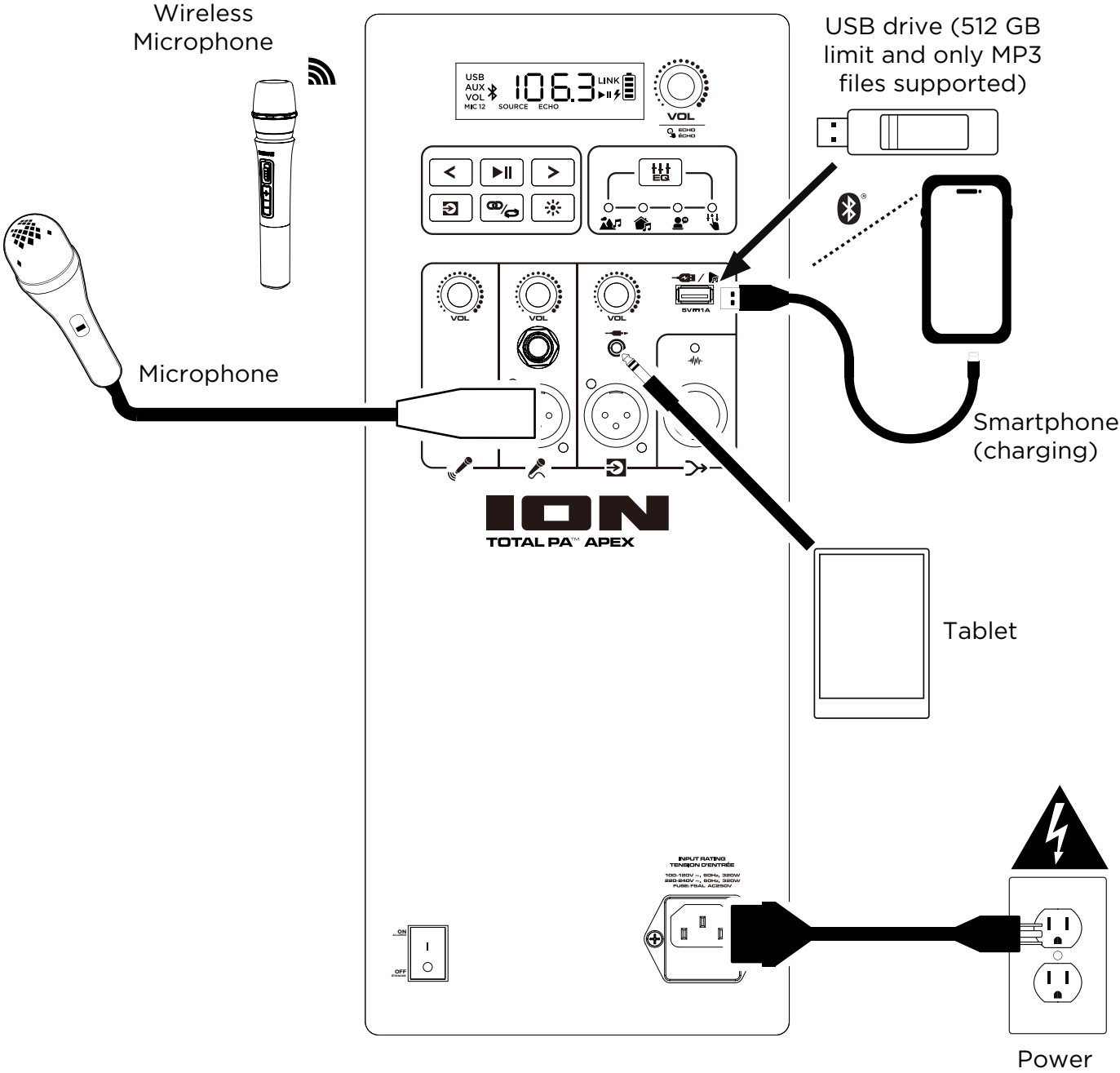
Speaker Stand Installation

1. Fully extend the speaker stand tripod legs on a flat, stable surface.
2. Raise the mounting pole up to the appropriate height needed and tighten the side adjustment knob.
3. Insert the pin into the bottom pin-hole so the mounting pole stays at your set height.
4. On the Total PA™ Apex, adjust the bottom knob counter-clockwise so the screw is not blocking the opening.
5. Line up the Total PA™ Apex mounting hole with the speaker stand pole and place on the pole.
6. Tighten the mounting knob clockwise on Total PA™ Apex to secure it to the pole.



Connection Diagram

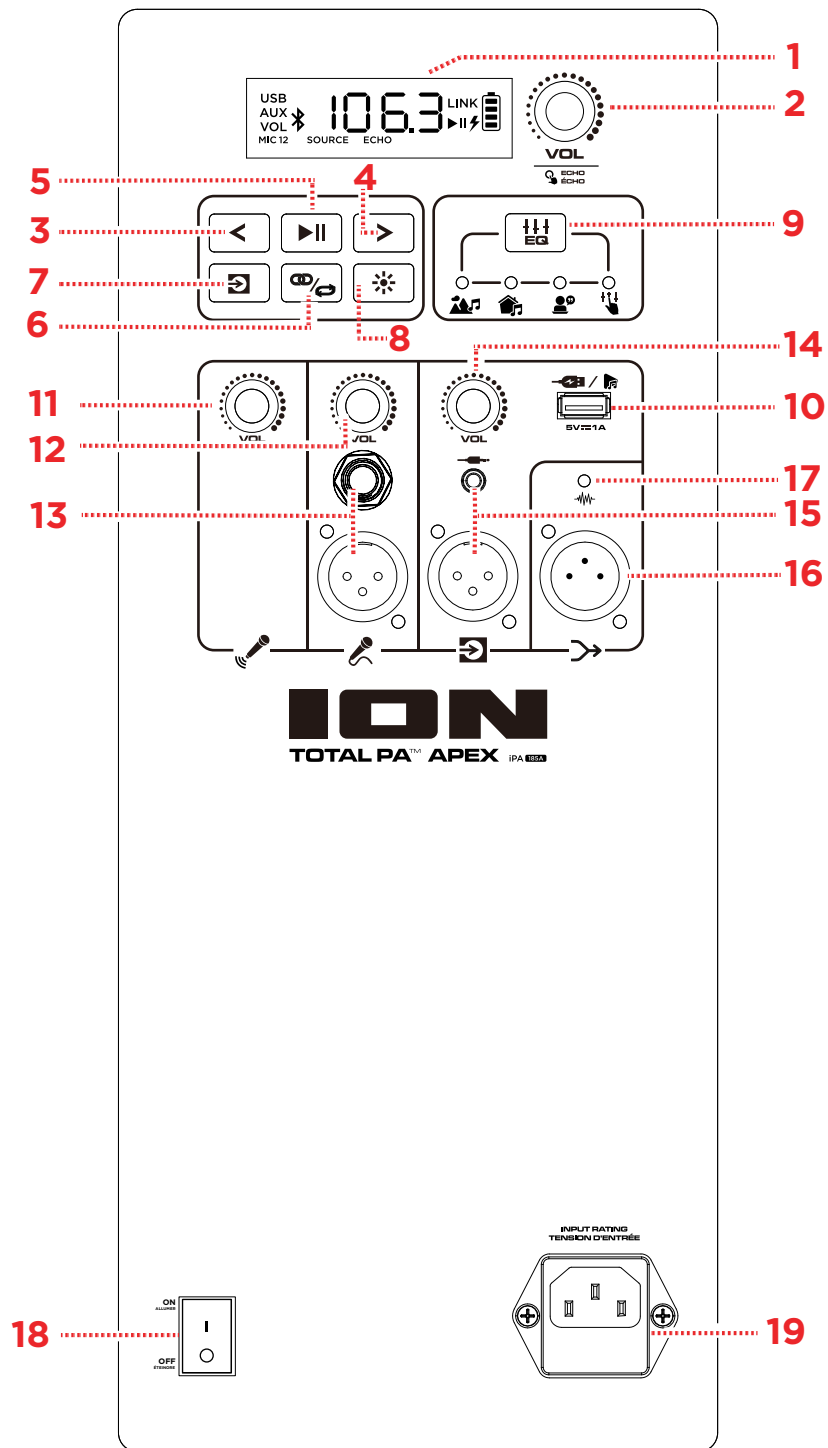
Items not listed under the *Box Contents* are sold separately.



FEATURES

Rear Panel

Click a control below to jump to that section.



1. Display

This screen shows information relevant to Total PA™ Apex's current operation.

Note: The **Display** comes with a plastic protector on it. Remove this for optimal viewing.



2. Vol (Main Volume) / Echo Knob

Turn this knob to adjust the Main Volume (overall output) of the loudspeaker. Press the knob and turn to cycle through to select the Echo effect. See the section [Using the Main Volume Knob](#) for more details.

3. Previous Track

When USB or Bluetooth is selected as the audio source, press this button to go to the previous track in the playlist. Press the button again within one second to skip to the previous track.

4. Next Track

When USB or Bluetooth is selected as the audio source, press this button to go to the next track in the playlist.

5. Play/Pause

When USB is selected as the audio source, press this button to play/pause the currently selected track. Double-press this button to stop playback and return to the beginning of the track list.

When Bluetooth is selected as the audio source, press this button to play/pause the currently selected track.

Press and hold this button for three seconds to turn voice prompts on or off.

6. Stereo-Link™ / Repeat

Press and hold this button to start stereo linking to another Total PA™ Apex. See the section [Linking Two Speakers](#) for more details.

In USB mode, press this button to repeat a single track, folder, or all tracks. See the section [USB Mode](#) for more details.

7. Source

Press this button to select the audio source to use: USB, AUX, or Bluetooth. The default source when powering on Total PA™ Apex is Bluetooth. The USB source is only selectable if a USB drive is plugged into Total PA™ Apex; otherwise, the Source button will toggle between Bluetooth and Aux.

To disconnect a connected Bluetooth device, double-press this button.

8. Lights

Press this button to select how the lights on the front panel function. See the section [Light Modes](#) for more details.

Note: For the best lighting effect, you may need to adjust the volume of your device and/or the Source volume.

9. EQ

Press this button to cycle through these EQ presets:

- **Outdoor:** enhanced bass and high frequencies.
- **Indoor:** slight bass boost and flat high frequencies.
- **Vocal:** bass is rolled off with an enhanced midrange.
- **Flat:** a flat frequency response (custom EQ setting is adjustable and can be uploaded from the App).

10. USB Charge/Playback Port

You can use this port for charging a USB device, such as a tablet or smartphone. To charge a device that is streaming music via Bluetooth, pause the music first and then wait for it to reconnect after the USB cable is inserted.

Connect your USB flash drive here to play music. Use the SOURCE Volume knob to adjust the volume. Press the **Stereo-Link™ / Repeat** button to cycle through the five repeat/shuffle options. See the section [USB Mode](#) for more details.

Note: Your USB drive cannot be more than 512 GB and it must contain playable MP3 files in order for its data to appear properly in the Display. When you connect a USB drive with MP3 files, Total PA™ Apex will order the files alphabetically by folder on the root directory and then by track name in the folder.

11. MIC 1 Wireless Mic Volume

Adjust the volume of the included wireless mic using this knob. See the section [Using the Wireless Mic](#) for more details on setting up and turning on the microphone.

12. MIC 2 Volume

Adjust the volume of the microphone or mic-level source connected to the **MIC 2 Inputs** using this knob.

TIP: For proper audio level mixing tips for MIC 1, MIC 2, and other Source volumes, see the section [Balancing Your Levels](#).

13. MIC 2 Inputs (6.35 mm / 1/4" & XLR)

Connect a microphone or mic-level source to these inputs.

14. Source Volume

Adjust the volume of devices connected to the **Aux Inputs** or a **Bluetooth** source.

15. Aux Inputs (3.5 mm / 1/8" & XLR)

Connect a CD player, MP3 player, or other audio source to these line-level inputs.

16. Mix Out (XLR)

Connect this output to a speaker, mixer, or recorder. All sound from the speaker (including the echo effect but excluding volume and EQ adjustments) will be what is heard on the connected device.

17. Clip LED

The Clip LED will flash red if the signal from the input jacks or **Media Panel** audio source is clipping (distortion from an overly loud signal). If this happens, decrease the setting of the **Main Volume** or the volume for the **Aux/Mic Input** (if a loud device is plugged into either).

18. Power Switch

Flip this switch to toggle the speaker's power on or off.

Note: If no input signal is played from any source (including the mic input) for 20 minutes, the speaker will go into Low Power Mode. In Low Power Mode the display will go dark. After 50 minutes of inactivity, the speaker will go into sleep mode and you will need to turn the speaker off and back on again to wake it up. The speaker will return to normal operation once an input receives a signal.

19. Power Cable Input (IEC)

Insert the included power cable here to power the unit.

OPERATION

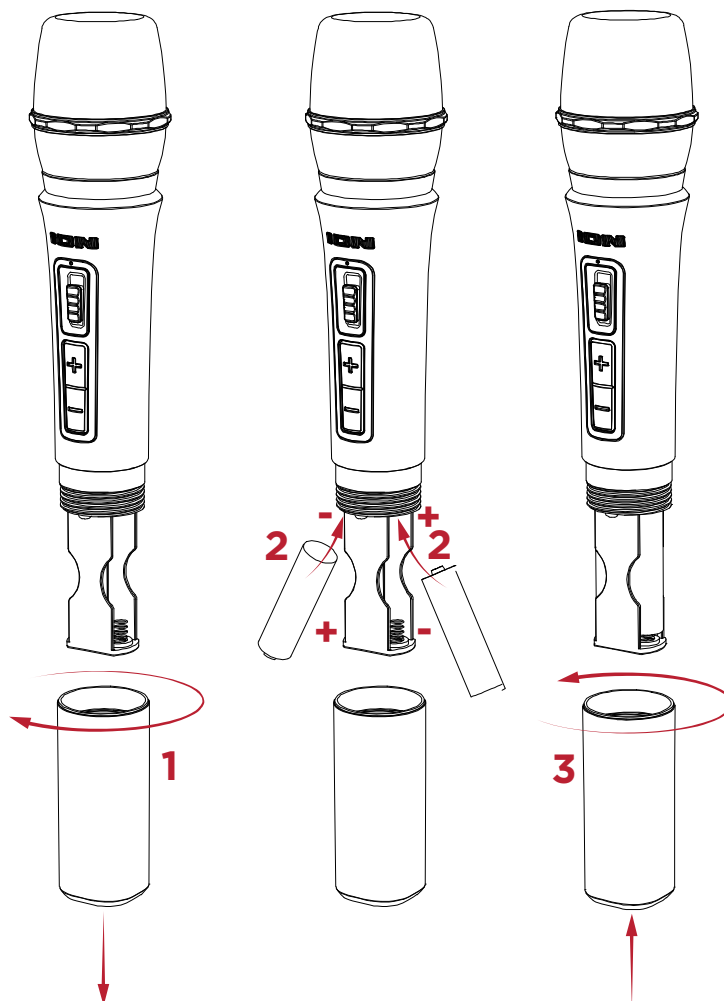
Battery Care

Follow the instructions below for best results when replacing the wireless mic batteries:

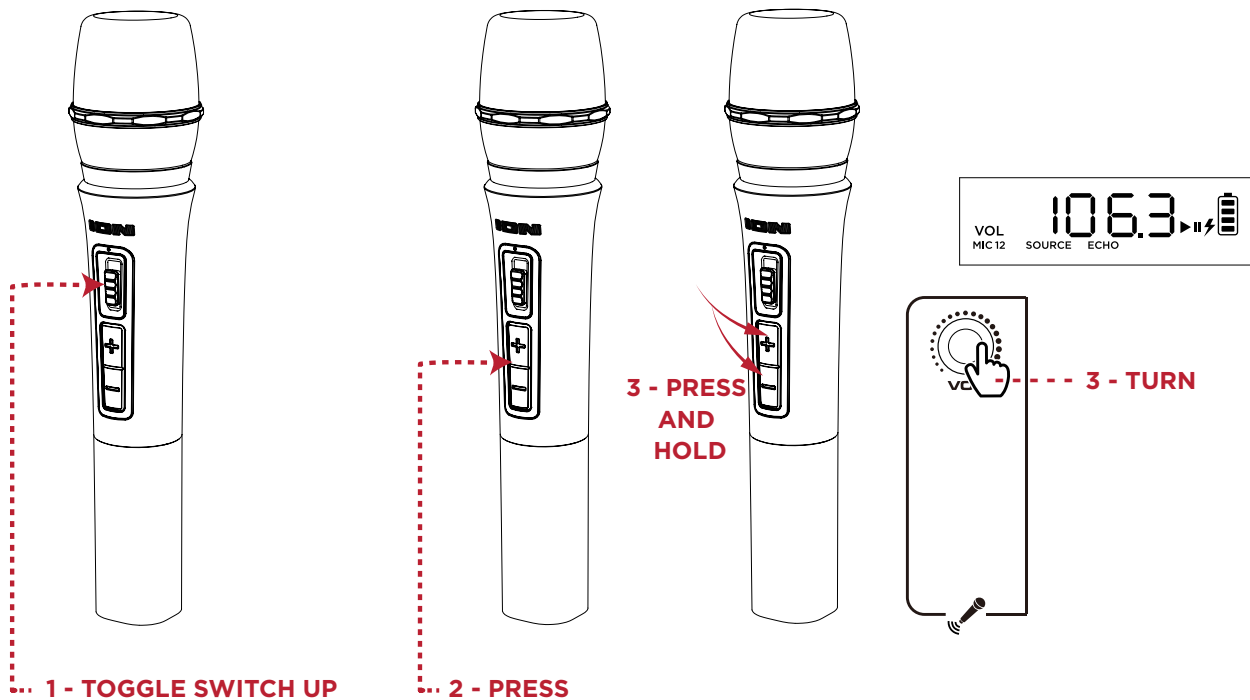
- Clean the battery contacts and also those in the wireless mic battery compartment prior to battery installation.
- Replace both batteries at the same time.
- Remove batteries from the wireless mic if it will not be used for an extended period of time.
- Promptly remove depleted batteries.

Installing Batteries Into the Wireless Mic

1. Remove the battery compartment cover by turning it clockwise.
2. Install two fresh AA alkaline batteries (not included) in the orientation indicated in the compartment.
3. Reattach the battery cover by turning it counterclockwise.



Using the Wireless Mic



1. Power on the wireless microphone by toggling the mic's on/off switch up. The power indicator LED will flash blue if pairing to the speaker and will be solid blue when connected to the speaker.
2. The microphone should pair automatically if Total PA™ Apex is powered on. If it does not, press and hold the + and - buttons simultaneously for three seconds to reset mic pairing.
3. Press the +/- controls on the microphone or turn the **MIC 1 Volume knob** to adjust the mic level. If you cannot hear the microphone over your audio source, you may need to decrease the SOURCE Volume level or increase the microphone volume.

Note: The wireless microphone will only connect to one Stereo-Linked™ speaker (the closest speaker). If using two Total PA™ Apex speakers you will need to connect the first speaker's **Mix Out** to the second speaker's **XLR Source input**.

TIP: For more details on balancing your volume levels, see the section [Balancing Your Levels](#).

Note: A blue and red indicator will appear on the wireless mic when the battery is low and will flash red when it is almost empty.

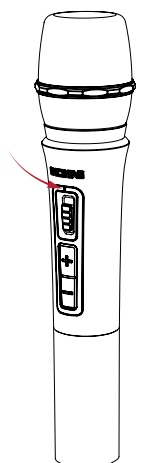
Wireless Mic LED Indicator:

Slow flashing blue LED: The wireless mic is powered on and not in pairing mode.

Quick flashing blue LED: The wireless mic is attempting to pair with the speaker.

Solid blue LED: The wireless mic is paired with the speaker.

Quick flashing red LED: This indicates the battery level is low for the wireless mic.



Using the Main Volume Knob

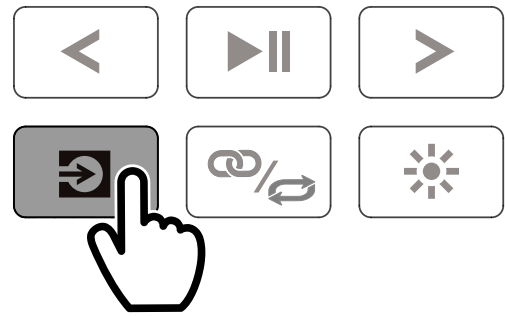


The **Main Volume knob** defaults to controlling the Main Volume for all channels. Press the knob to toggle to the Echo function and rotate the knob to change the setting.

If there is no activity on the **Main Volume knob** for five seconds, the function will go back to Main Volume.

To factory reset the speaker to default settings, hold down the **Main Volume knob** for five seconds. The speaker will power cycle and the reset will be successful.

Pairing a Bluetooth® Device



PRESS

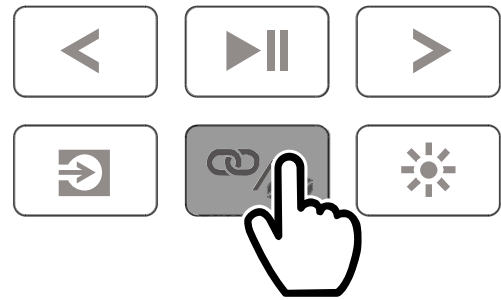
1. Power on the Total PA™ Apex by flipping the power switch on.
2. When the unit is first turned on, it will automatically enter Bluetooth pairing mode. If necessary, press the **Source** button to select Bluetooth mode. If voice prompts are enabled, you will hear “Bluetooth Pairing.”
3. Navigate to your device’s Bluetooth setup screen, find **Total PA Apex**, and connect. Do not connect to **iPA185A_BLE**; this is reserved exclusively for connecting to the **ION Sound Control™** app. When connected, the Bluetooth icon on the display will flash and you will hear “Bluetooth Connected”.

Note: If you experience trouble in connecting, select “Forget this Device” on your Bluetooth device and try to connect again.

Note: The volume of Total PA™ Apex does not affect your Bluetooth device volume. For the best sound quality, set your input source volume to 100% and use the Source and Main Volume control of the speaker to adjust the volume.

To disconnect, double press the **Source** button on Total PA™ Apex.

Linking Two Speakers



DOUBLE-PRESS

1. Power on both Total PA™ Apex speakers by flipping the power switches on. Make sure they are in Bluetooth pairing mode and not connected to a device.
2. Double-press the **Stereo-Link™ / Repeat** button on one speaker (the primary speaker which will control both) and then the **Stereo-Link™ / Repeat** button on the secondary speaker to enter Stereo-Link™ mode. Once a link has been established, the word LINK will appear on both speaker displays.
3. Connect to the primary speaker via Bluetooth.

To disconnect, double press the **Stereo-Link™ / Repeat** button.

Note: The speakers should be within 26 m (85') of each other to properly link.

Note: The wireless microphone will only connect to one Stereo-Linked™ speaker (the closest speaker). If using two Total PA™ Apex speakers you will need to connect the first speaker's **Mix Out** to the second speaker's **XLR Source input**.

Note: Total PA™ Apex is not compatible with previous ION PA models. To link to a previous model, you will need to use an XLR cable (not included). Connect the XLR cable to the MIX Out XLR port on the Total PA™ Apex to the XLR In port on the previous model.

Light Modes



Total PA™ Apex has two side lights, six tweeter lights, and four woofer lights. All LEDs are individually controllable.

When the speaker is first powered on, a red light will move from the bottom of the speaker toward the top, lighting up all LEDs. Once all LEDs are lit up, the lights will hold for two seconds before fading out.

After the power on light effect, all LEDs will fade in and out blue until a Bluetooth device is connected to the speaker. When paired, all LEDs will flash blue two times before going back to the last selected light mode.

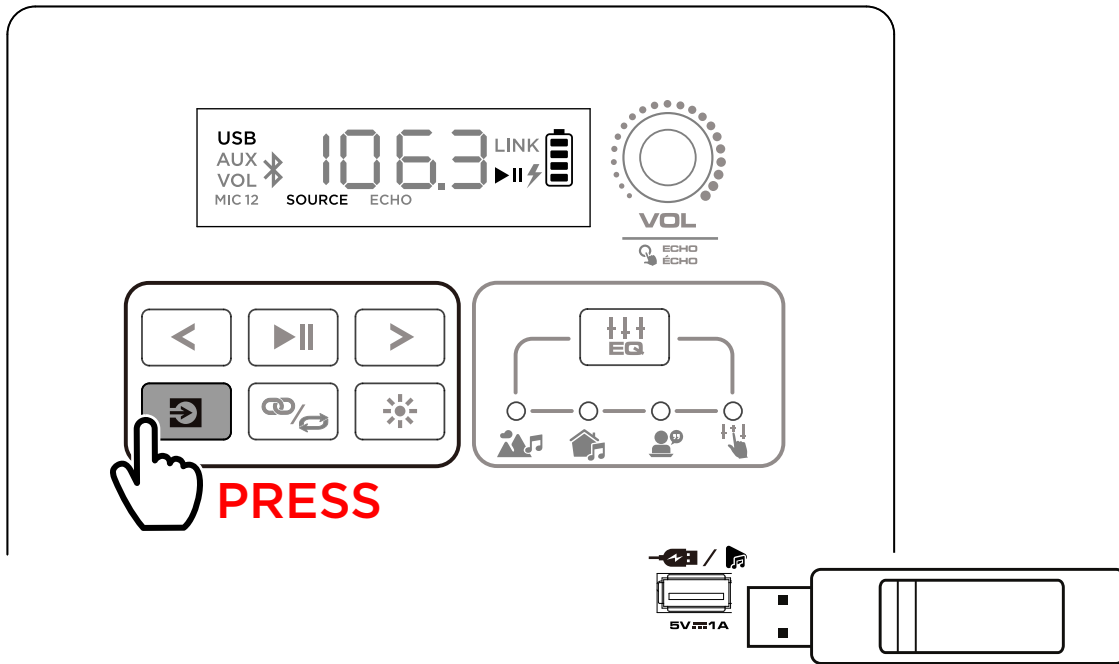
Press the **Lights** button to toggle between twelve modes for the LEDs on Total PA™ Apex.

Note: For the best lighting effect, you may need to increase the volume of your connected device or input source.

- **Rainbow Chase - Beat Sync:** A rainbow of colors will spin around the speaker LEDs counterclockwise. The more bass in the music, the faster the speed of the spinning rainbow pattern.
- **Starlight:** All LEDs will flash a random color light and slowly fade away. The more bass in the music, the faster the speed of the flashing lights.
- **Fire Pit:** The lights will flicker red, yellow, and orange and the side lights rise up and down. The level of the “fire” is based on the amount of bass in the music.
- **Rain Drops:** The tweeter and side LEDs will drop a color from top to bottom. Once the color hits the bottom LED, the woofer lights splash like water with the same raindrop color, repeating side to side. Four raindrops streaks will fall at the same time.
- **Crossfade:** The woofer and tweeter lights will crossfade left and right while the side lights will crossfade up and down.
- **Bouncing Stars:** Light streaks will flow down the sides. When they meet at the middle bottom part of the speaker, they will bounce back up to the top in the next color in the spectrum and flow downward again. Woofer lights will pulse with the new color when the light streaks bounce in the middle areas, repeating down the color spectrum.
- **Horizontal Waves - Beat Sync:** Three waves of one color will pass by and after they have gone from the top left side to the bottom right side new waves in the next color will appear. Waves will speed up or slow based on the amount of bass in the music.

- **Beat Sync:** All LEDs will move up and down in speed based on the bass level in the music. The color will fade throughout the color spectrum.
- **Two-Tone Cycle:** One side of the LEDs (including two from the tweeter light and one from the side light) will show one color while the other side will light up with a nearby color from the color spectrum.
- **Color Cycle:** All LEDs will hold the same color while cycling through the color spectrum.
- **Static Color:** All LEDs will stay the same color (the color can be adjusted from the ION Sound Control™ app). By default the color is blue. There are the 15 colors that can be selected from the ION Sound Control™ app.
- **Random:** The LEDs will cycle through all light modes randomly (except Static Color), changing every ten seconds.
- **Off:** All LEDs are off.

USB Mode



When a USB drive with compatible files is inserted into the **USB Charge/Playback Port**, Total PA™ Apex will automatically switch to USB mode. If the USB drive has already been inserted and you are using another mode, press the **Source** button until USB mode is selected. Total PA™ Apex will automatically play the first compatible MP3 file. Files are played in alphabetical order of what is on the root level, then alphabetical by folder, and then alphabetical by track name. Media playback will stop when all media has been played on the USB drive. Press and hold the **Next** and **Previous** buttons to fast forward or rewind within the song.

Note: The USB drive must have playable MP3 files for it to appear on the media panel's display.

Press the **Repeat** button to cycle through the repeat shuffle options (abbreviations will show on the display):

- Play the current USB track on repeat (**OnE**). This is the default mode when powered on.
- Play the tracks in random order (**rAn**).
- Play all the tracks on the USB drive on repeat (**ALL**).
- Play the current folder's tracklist on repeat (**FOLD**). The folder used is based on what song is playing when it is activated. For instance, if a song playing is on the root level, selecting **FOLD** will repeat only songs at the root level. If a song is in folder "A", then only songs in folder "A" will be repeated.

App Control

IMPORTANT: To ensure the best possible experience with the app, use the most current Android OS or iOS on your device.

Follow these steps to download the free app on your device:

1. Open the Apple App Store or Google Play on your device. Then, search for the **ION Sound Control™** app.
2. Follow the on-screen instructions to download and install the app. Once downloaded, the **ION Sound Control™** app will appear on your device's home screen.
3. Connect your device to Total PA™ Apex via Bluetooth. See the [Pairing a Bluetooth® Device](#) section to learn how to do this.
4. Open the ION Sound Control™ app. If prompted, allow the app to access your device's Bluetooth and Location Services.
5. Select the **Total PA™ Apex** icon to go to the next screen, where you can use the app to control various functions of the speaker such as:
 - **Main Volume:** Adjust the main speaker output volume.
 - **Source Selection:** Select the source to use: Bluetooth, USB, or Aux.
 - **Source Volume:** Adjust the incoming volume for Bluetooth, USB, and Aux sources.
 - **Mic 1 Volume:** Adjust the volume for the wireless mic.
 - **Mic 2 Volume:** Adjust the volume for the 6.35 mm / 1/4" and XLR microphone inputs.
 - **EQ:** Adjust the speaker's equalization.
 - **Mic Echo:** Turn the mic echo effect on/off.
 - **Voice Prompts:** Enable or disable the voice prompts.
 - **Support:** Visit ionaudio.com, contact Technical Support, and view Warranty information and Frequently Asked Questions.
 - **Light Effect:** Choose the lighting effect.
 - **Over-The-Air Firmware Updates:** Stay up to date with the latest firmware installation.

TROUBLESHOOTING

If the sound is distorted: You may need to adjust the levels of your sources and Total PA™ Apex for proper mixing.

- i. First, turn your source volume all the way up.
- ii. Then, adjust the selected **Channel Volume (VOL)** knob on Total PA™ Apex to an appropriate level.
- iii. Finally, adjust the **Main Volume** to an appropriate level.

If the sound is still distorted, try lowering the volume control of your sound source, then lowering the **Channel Volume (VOL)** knob on Total PA™ Apex of the channel in use.

I hear a hum when cables are connected:

- Disconnect cables from the input jacks to see if it's a faulty cable.
- Make sure the signal cables are not placed near power cables.
- Connect all audio equipment power cables to outlets which share a common ground.

If there is too much bass: Try adjusting the EQ control on your sound source or on Total PA™ Apex to lower the bass level. This will allow you to play the music louder before clipping (distortion) occurs.

What do I do if the wireless mic is not working?:

- Check to see that the batteries are properly installed.
- Install two fresh AA batteries (not included) in the orientation indicated in the compartment. The microphone should pair automatically if Total PA™ Apex is powered on. If it does not, press and hold the + and - buttons on the microphone for 3 seconds to reset mic pairing.

If there is a high-pitched whistling noise when using microphones: This is probably feedback. Point the microphone away from the speaker.

If you can't hear the microphone over the music volume:

- i. First, turn down the volume from your source using the appropriate **Channel Volume (VOL)** knob on Total PA™ Apex.
- ii. Then, make sure your microphone volume is turned all the way up (if applicable), and then turn up the appropriate **Channel Volume (VOL)** knob on Total PA™ Apex where the microphone is connected.

If you cannot connect your audio device to Total PA™ Apex via Bluetooth:

- Have your audio device (e.g., smartphone or tablet) and Total PA™ Apex as close together as possible while trying to connect. Make sure both the audio device and Total PA™ Apex are unobstructed by walls, furniture, etc.
- Reset the Bluetooth connection on Total PA™ Apex to disconnect Total PA™ Apex from any other audio device and restart the search process. If this does not work right away, power off Total PA™ Apex and then power it back on. See [Pairing a Bluetooth® Device](#) for more information.
- Reset the Bluetooth connection on your audio device by turning Bluetooth off and back on. You can find this under the Bluetooth menu in the Settings for your phone or other audio device.

If this does not work, and you have connected to Total PA™ Apex before, find Total PA™ Apex in the list of available or previously connected devices in your audio device's Bluetooth menu, tap the "gear" or "i" icon located next to it and then select **Unpair** or **Forget**. Turn Total PA™ Apex off and back on and try pairing again once it reappears in your available devices list.

Note: If Total PA™ Apex has been paired to another audio device recently that is still within range, you may need to repeat this process with that audio device to fully disconnect.

If you experience audio dropouts while playing music from a Bluetooth device, this may be happening because your unit is trying to link to another speaker. This can occur if you power off a speaker that was linked to your unit or if you have just turned on your unit and it is in Stereo-Link™ mode. To stop the audio dropouts, exit Stereo-Link™ mode by double-pressing the **Stereo-Link™ / Repeat** button. Alternatively, you can wait for your unit to link to another speaker if there is one within range.

APPENDIX

Technical Specifications

Speakers	Low Frequency: 305 mm / 12.0" High Frequency: 25.4 mm / 1.0"
Frequency Response	50 Hz - 20 kHz
Wireless Technology	Bluetooth® - Classic Audio
Wireless Range *	Bluetooth® Range: Up to 30.5 m / 100 ft. TWS Range: Up to 23 m / 75 ft.
Wireless Microphone Range*	30.5 m / 100 ft.
USB	Audio: Music playback from USB drive Supported File System: FAT32 Supported File Type: MP3 Maximum File Size: 4 GB Maximum USB Drive Size: 512 GB
Battery	Battery Capacity: 11.1 V, 6000 mAh Battery Life: 6-8 hours (50% volume, lights off) ** Charge Time: Up to 5 hours
Power	Cable: IEC 320 C13 Input Voltage: 100-240 VAC, 50/60 Hz, 320 W Fuse: F5AL AC250V
Dimensions (width x depth x height)	16.21" x 12.50" x 25.63" / 411.7 x 317.5 x 651 mm
Weight	13.2 kg / 29.15 lbs.

Specifications are subject to change without notice.

* Bluetooth and wireless reception and range are affected by walls, obstructions, and movement. For optimal performance, place the product in the center of the room so it is unobstructed by walls, furniture, etc.

** Battery life may vary based on temperature, age, and volume usage of product.

Trademarks & Licenses

ION Audio is a trademark of inMusic Brands, Inc., registered in the U.S. and other countries. App Store is a trademark of Apple Inc., registered in the U.S. and other countries.

Android and Google Play are registered trademarks of Google Inc.

The *Bluetooth* word mark and logos are owned by the Bluetooth SIG, Inc. and any use of such marks by ION Audio is under license.

All other product names, company names, trademarks, or trade names are those of their respective owners.

Distributed by:
Costco Wholesale Corporation
P.O. Box 34535
Seattle, WA 98124-1535
USA
1-800-774-2678
www.costco.com

Costco Wholesale Canada Ltd.*
415 W. Hunt Club Road
Ottawa, Ontario
K2E 1C5, Canada
1-800-463-3783
www.costco.ca
* faisant affaire au Québec sous
le nom les Entrepôts Costco

Importado por:
Importadora Primex S.A. de C.V.
Blvd. Magnocentro No. 4
San Fernando La Herradura
Huixquilucan, Estado de México
C.P. 52765
RFC: IPR-930907-570
(55)-5246-5500
www.costco.com.mx

Costco Wholesale Australia Pty Ltd
17-21 Parramatta Road
Lidcombe NSW 2141
Australia
www.costco.com.au

Costco Wholesale UK Ltd /
Costco Online UK Ltd
Hartspring Lane
Watford, Herts
WD25 8JS
United Kingdom
01923 213113
www.costco.co.uk

Costco Wholesale Spain S.L.U.
Polígono Empresarial Los Gavilanes
C/ Agustín de Betancourt, 17
28906 Getafe (Madrid) España
NIF: B86509460
900 111 155
www.costco.es

Costco Wholesale Iceland ehf.
Kauptún 3-7, 210 Gardabaer
Iceland
www.costco.is

Costco France
1 avenue de Bréhat
91140 Villebon-sur-Yvette
France
01 80 45 01 10
www.costco.fr

Costco Wholesale Japan Ltd.
2 Kakuchi, 2 Gaiku, Kaneda-Nishi
361 Urikura, Kisarazu shi
Chiba, 292-0007 Japan
0570-200-800
www.costco.co.jp

Costco Wholesale Korea, Ltd.
40, Iljik-ro
Gwangmyeong-si
Gyeonggi-do, 14347, Korea
1899-9900
www.costco.co.kr

Costco Wholesale New Zealand Limited
2 Gunton Drive
Westgate Auckland 0814
New Zealand
www.costco.co.nz

Costco (China) Investment Co., Ltd.
Room 01 Mezzanine
No. 5178, Kang Xin Highway
Pudong New District
Shanghai
China 201315
+86-21-6257-7065

Costco Wholesale Sweden AB
Box 614
114 11 Stockholm
Sweden
www.costco.se

MADE IN CHINA

INTRODUCCIÓN	29
Contenido de la caja.....	29
Soporte técnico	29
Información sobre la carga de la batería	30
Guía de inicio rápido	31
Balancear sus niveles	32
MONTAJE.....	33
Instalación del soporte del altavoz.....	33
Diagrama de conexiones.....	34
FUNCIONES	35
Panel trasero	35
FUNCIONAMIENTO	39
Cuidado de las pilas	39
Instalación de baterías en el micrófono inalámbrico	39
Uso del micrófono inalámbrico.....	40
Uso de la perilla de volumen principal	41
Emparejamiento de un dispositivo Bluetooth®	42
Emparejamiento de dos altavoces.....	43
Modos de iluminación	44
Modo USB	46
Control por app	47

SOLUCIÓN DE PROBLEMAS	48
APÉNDICE.....	50
Especificaciones técnicas	50
Marcas comerciales y licencias	51

INTRODUCCIÓN

Gracias por adquirir el altavoz Total PA^{MR} Apex. En ION, damos tanta importancia a su entretenimiento como usted. Por ello, diseñamos nuestros productos con un solo propósito: lograr que su vida sea más cómoda y divertida.

Nota: Antes de usar el producto por vez primera, cargue completamente la batería. Para garantizar un transporte seguro, le enviamos deliberadamente la batería de su unidad con bajo nivel de carga. Para cargar óptimamente la batería, mantenga el altavoz apagado durante la carga.

Use el cable de alimentación incluido para conectar la unidad a una toma de corriente y deje que la batería se cargue durante no más de 5 horas. Así contribuirá a asegurar la máxima duración de su batería.

Contenido de la caja

Altavoz Total PA^{MR} Apex

Cable de alimentación (150 cm / 5 pies)

Micrófono inalámbrico

Soporte del altavoz

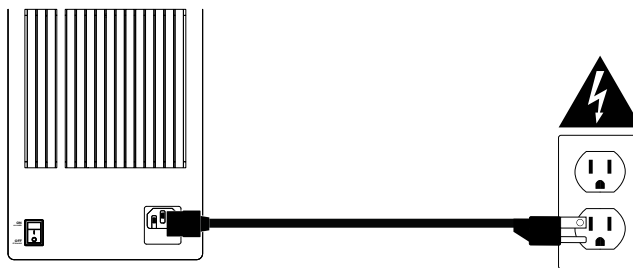
Guía de inicio rápido

Soporte técnico

Si desea consultar la información más reciente de este producto (documentación, especificaciones técnicas, requisitos del sistema, compatibilidad, etc.) y registrar el producto, visite la web: ionaudio.com.

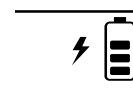
Para obtener un mayor soporte técnico para el producto, visite la página web: ionaudio.com/support.

Información sobre la carga de la batería



Para cargar el altavoz Total PA^{MR} Apex de la forma más rápida posible, apáguelo y use el cable de alimentación incluido para conectar el altavoz a una toma de corriente. La carga completa puede tardar hasta 5 horas.

El icono de **rayo** en la pantalla se iluminará al conectar el altavoz Total PA^{MR} Apex a una fuente de alimentación e iniciar la carga. El icono de **batería** se irá llenando para mostrar el porcentaje de carga de la batería. Al completar la carga, el icono de rayo desaparecerá y el icono de batería se mostrará totalmente lleno.



Si no se reproduce audio a través del altavoz Total PA^{MR} Apex durante 20 minutos, la unidad entrará en modo standby para ahorrar batería. En este modo, la señal de Bluetooth puede quedar suspendida, no entra audio a través de un dispositivo conectado al puerto AUX o el volumen está en 0. Para reactivar la unidad, simplemente reanude la entrada de la señal de audio o pulse cualquier botón.

A continuación, presentamos algunas otras recomendaciones para obtener la máxima duración de la batería interna.

Uso general

Cargue completamente la batería antes de usarla.

Si es posible, evite que la batería se descargue del todo. Las baterías de ion-litio no requieren mantenimiento y la batería tendrá su máxima duración si funciona con una carga entre el 30 % y el 80 %.

No use el producto durante la carga de la batería.

No cargue la batería a temperaturas excesivamente altas (más de 32 °C/90 °F) o excesivamente bajas (menos de 0 °C/32 °F).

Almacenamiento

Para conseguir la más larga vida útil del producto, no lo almacene a temperaturas excesivamente altas (más de 32 °C/90 °F) o excesivamente bajas (menos de 0 °C/32 °F).

Con el mismo fin, almacene el producto con la batería cargada al 50 %.

Si deja la batería sin usar con un bajo nivel de carga y no la recarga durante 6 meses, es posible que pierda capacidad permanentemente.

Reparación

Si la batería no se carga, contacte con ION Audio enviando un mensaje a ionaudio.com.

Desecho

Lleve la unidad a un centro de reciclaje o deséchela de conformidad con las ordenanzas locales.

Guía de inicio rápido

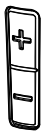
1. Compruebe que todos los artículos indicados en la lista [Contenido de la caja](#) están incluidos en la caja. En esta caja, busque el cable de alimentación y los micrófonos debajo de la plancha de gomaespuma.
2. Observe detenidamente el [diagrama de conexiones](#).
3. Compruebe que todos los dispositivos de entrada de audio (como micrófonos, reproductores de CD o reproductores de medios digitales) están apagados y tienen su respectivo ajuste de volumen en "cero".
4. Conecte todos los dispositivos según se indica en el [diagrama de conexiones](#).
5. Encienda los dispositivos en el siguiente orden:
 - a. Dispositivos de entrada de audio (por ejemplo, micrófonos, instrumentos, reproductores de CD)
 - b. Altavoz Total PA^{MR} Apex
6. Ajuste el nivel de volumen de sus dispositivos conectados. Aumente al máximo el volumen de su fuente de audio (micrófono, instrumentos, dispositivos Bluetooth). Seguidamente, ajuste la perilla de **volumen de la fuente** para el canal seleccionado en el altavoz Total PA^{MR} Apex a un nivel adecuado. Por último, ajuste el **volumen principal** en el altavoz Total PA^{MR} Apex a un nivel adecuado. Encontrará una explicación detallada paso a paso del proceso para ajustar sus niveles de volumen en la sección [Balancear sus niveles](#) en la página siguiente.
7. Cuando termine de usar el altavoz Total PA^{MR} Apex, apague los dispositivos en el siguiente orden:
 - a. Altavoz Total PA^{MR} Apex
 - b. Dispositivos de entrada de audio

Balancear sus niveles

Se muestra cómo balancear rápidamente la señal o señales de su micrófono y la señal de su dispositivo de fuente de audio (Bluetooth, AUX, USB). Los niveles para los micrófonos, fuente de audio y volumen principal pueden ajustarse en cualquier valor entre 0 y 30.



1. Encienda el altavoz Total PA^{MR} Apex y el micrófono inalámbrico. Conecte la fuente de Bluetooth, dispositivo auxiliar o unidad USB que prefiera.
2. Usando el **volumen principal** en el altavoz, ajuste el volumen aproximadamente en 10 o menos al balancear sus niveles. De esta manera, podrá ajustar un nivel claro y audible que no resulte excesivo. Puede reajustar ese nivel posteriormente, tras establecer el balance.
3. Ajuste la **perilla de volumen de fuente** en 0. Aumentaremos este valor en un paso posterior.
4. Ajuste el **volumen MIC 1** mediante el control de volumen +/- en el micrófono o la **perilla de volumen MIC 1** en el altavoz. En caso de dudas, ajustar este nivel en 25 es un buen punto de partida. Si está usando un segundo micrófono conectado, use la **perilla de volumen MIC 2** para ajustar los niveles de la misma manera hasta que ambos micrófonos tengan un volumen claramente audible.
5. Ahora ajuste el volumen de su dispositivo auxiliar o dispositivo de fuente de Bluetooth (smartphone, tablet, etc.) a 100 %. Así asegurará una fuerte señal.
6. Con la **perilla de volumen de fuente** ajustada todavía en 0, inicie la reproducción en su dispositivo y vaya aumentando gradualmente el volumen girando la **perilla de volumen de fuente** en el altavoz hasta alcanzar un nivel claro y audible. Si está usando un micrófono, ajuste el nivel de volumen de la fuente hasta el punto en el que todavía pueda oír el micrófono por encima de la música.
7. Una vez que el micrófono y la fuente de audio sean claramente audibles y estén balanceados, use la perilla de **volumen principal** para ajustar el nivel de la salida general del altavoz al volumen deseado.



Si desea conocer los pasos específicos para solucionar problemas, consulte la sección [Solución de problemas](#).

MONTAJE

Instalación del soporte del altavoz

1. Extienda completamente las patas del trípode del soporte del altavoz sobre una superficie plana y estable.
2. Eleve el mástil de montaje a la altura adecuada necesaria y apriete la perilla de ajuste lateral.
3. Inserte el pasador en el orificio del pasador en la parte inferior, de forma que el mástil de montaje se mantenga a la altura ajustada.
4. En el altavoz Total PA^{MR} Apex, ajuste la perilla inferior en sentido contrario a las agujas del reloj, de forma que el tornillo no quede bloqueando la abertura.
5. Alinee el orificio de montaje del altavoz Total PA^{MR} Apex con el mástil del soporte del altavoz y coloque el altavoz sobre el mástil.
6. Apriete la perilla de montaje en el sentido de las agujas del reloj en el altavoz Total PA^{MR} Apex para fijarlo al mástil.

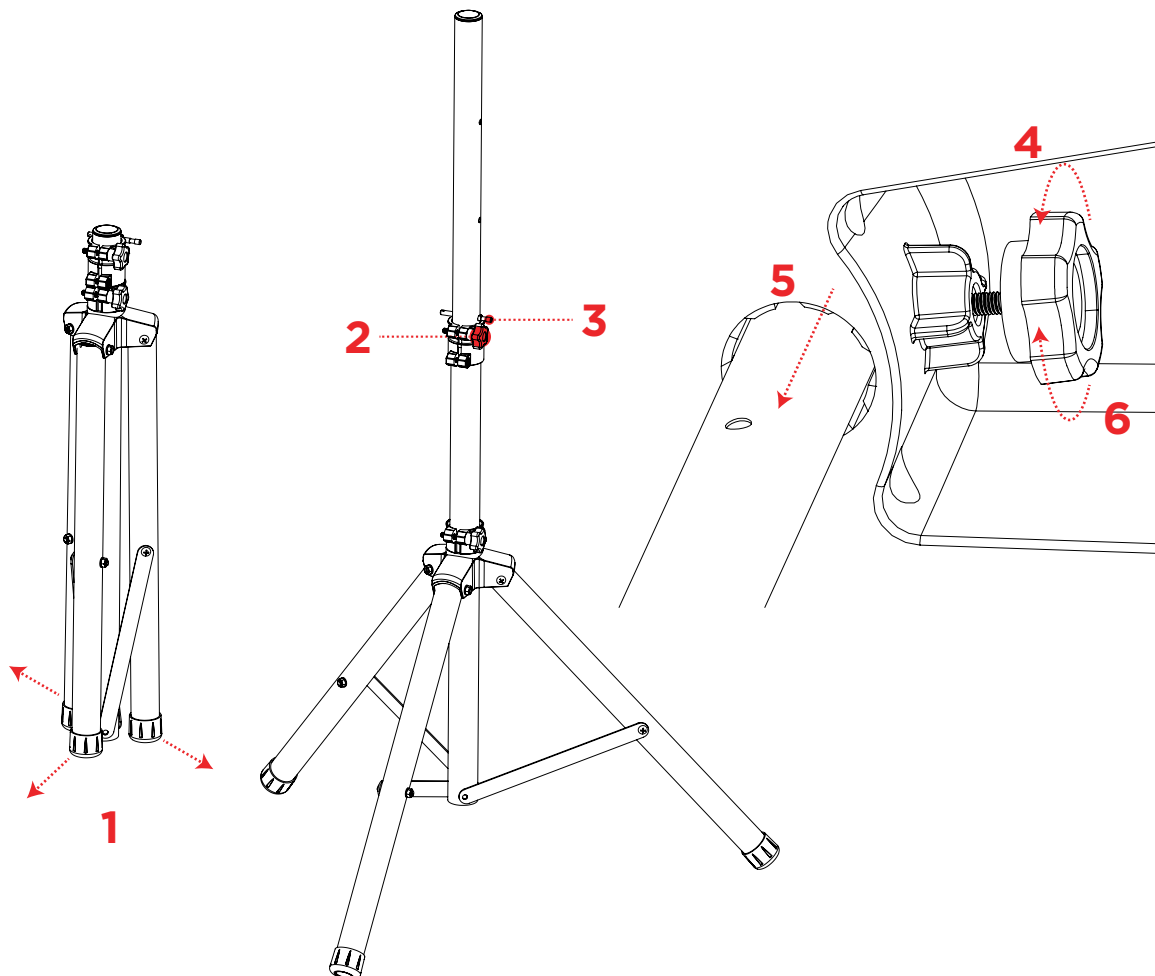
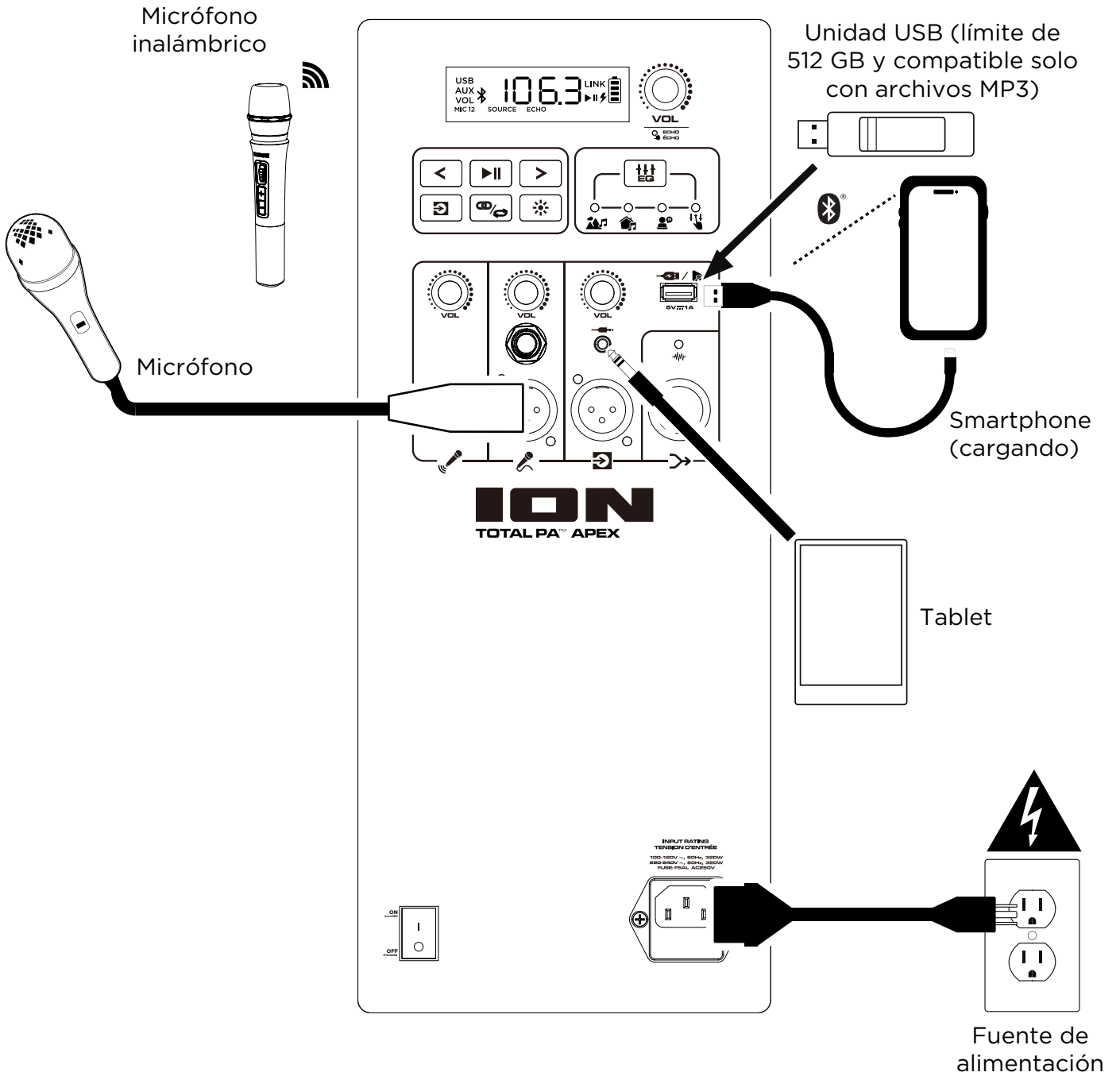


Diagrama de conexiones

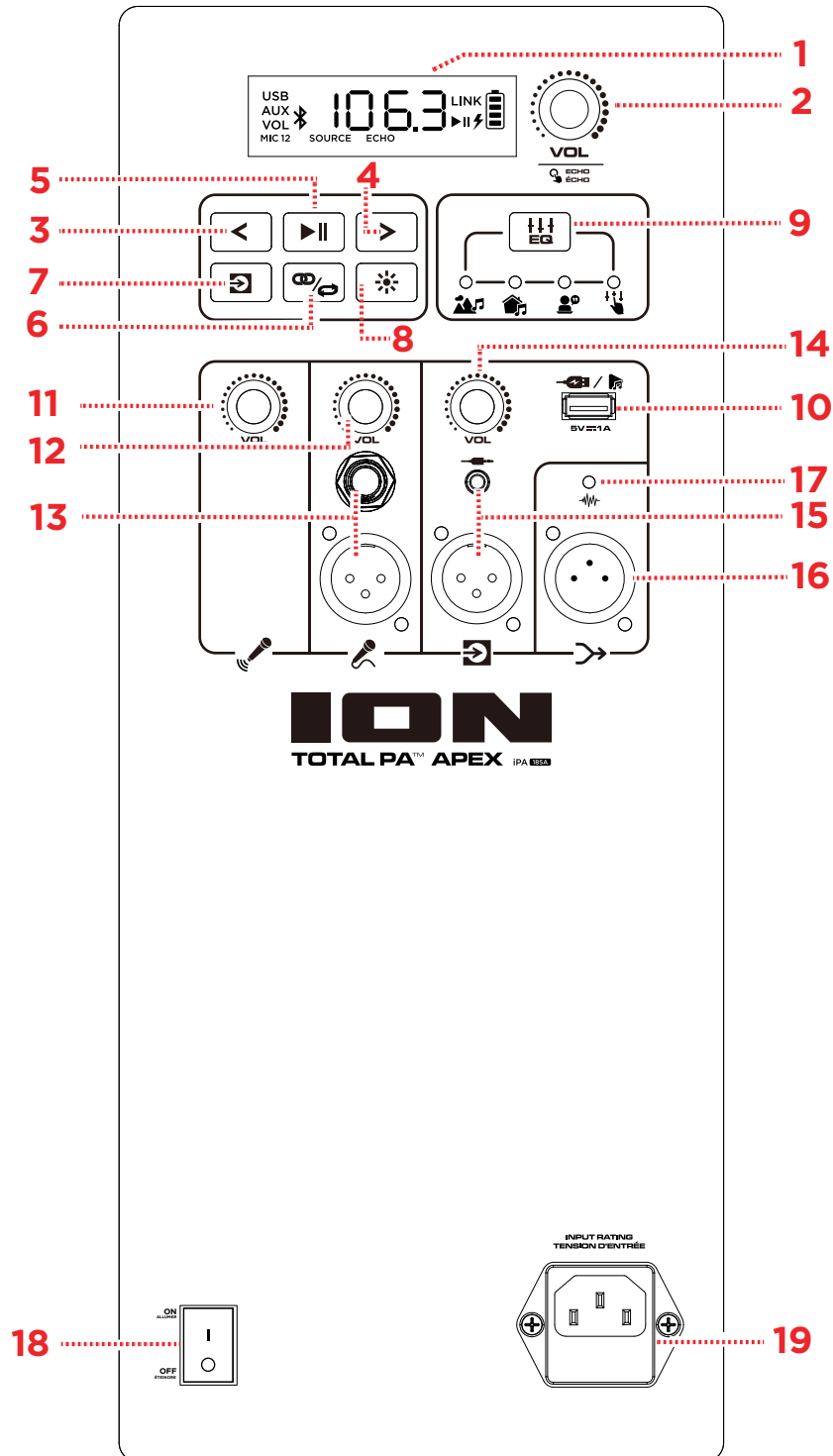
Los artículos que no están incluidos en la lista [Contenido de la caja](#) se venden por separado.



FUNCIONES

Panel trasero

Haga clic abajo en un control para pasar directamente a esa sección.



1. Display

This En esta pantalla se muestra información relevante sobre el funcionamiento del altavoz Total PA^{MR} Apex en cada momento.

Nota: El **display** se entrega cubierto por un protector de plástico. Quite este protector para poder ver el display óptimamente.



2. Vol (volumen principal) / Perilla Echo

Gire esta perilla para ajustar el volumen principal (salida general) del altavoz. Pulse la perilla y gírela para seleccionar el efecto eco. Encontrará los detalles en la sección [Uso de la perilla de volumen principal](#).

3. Pista anterior

Al seleccionar USB o Bluetooth como la fuente de audio, pulse este botón para ir a la pista anterior en la lista de reproducción. Pulse nuevamente este botón de inmediato para saltar a la pista anterior.

4. Pista siguiente

Al seleccionar USB o Bluetooth como la fuente de audio, pulse este botón para ir a la pista siguiente en la lista de reproducción.

5. Reproducir/Detener

Al seleccionar USB como la fuente de audio, pulse este botón para reproducir o detener la pista que esté seleccionada en ese momento. Pulse dos veces este botón para detener la reproducción y regresar al inicio de la lista de pistas.

Al seleccionar Bluetooth como la fuente de audio, pulse este botón para reproducir o detener la pista que esté seleccionada en ese momento.

Pulse y mantenga pulsado este botón durante tres segundos para activar o desactivar las indicaciones de voz.

6. Stereo-Link^{MR} / Repetir

Pulse y mantenga pulsado este botón para iniciar el emparejamiento estéreo con otro altavoz Total PA^{MR} Apex. Encontrará los detalles en la sección [Emparejamiento de dos altavoces](#).

En el modo USB, pulse este botón para repetir una pista individual, una carpeta o todas las pistas. Encontrará los detalles en la sección [Modo USB](#).

7. Fuente

Pulse este botón para seleccionar la fuente de audio que desee usar: USB, AUX o Bluetooth. La fuente predeterminada al encender el altavoz Total PA^{MR} Apex es Bluetooth. La fuente USB solo puede seleccionarse si hay una unidad USB conectada al altavoz Total PA^{MR} Apex; en caso contrario, con el botón Fuente se podrá seleccionar Bluetooth y AUX.

Para desconectar un dispositivo Bluetooth conectado, pulse dos veces este botón.

8. Luces

Pulse este botón para seleccionar cómo deben funcionar las luces en el panel frontal. Encontrará los detalles en la sección [Modos de iluminación](#).

Nota: Para lograr el mejor efecto de iluminación, puede ser necesario ajustar el volumen de su dispositivo y/o el volumen de la fuente.

9. EQ

Pulse este botón para cambiar entre los siguientes presets de ecualización:

- **Exterior:** altas frecuencias y graves mejorados.
- **Interior:** leve acentuación de los graves y altas frecuencias planas.
- **Vocal:** los graves se atenúan con un rango medio mejorado.
- **Plana:** la respuesta de frecuencia plana (la configuración de ecualización personalizada puede ajustarse y puede cargarse desde la app).

10. Puerto USB para carga/reproducción

Puede usar este puerto para cargar un dispositivo USB, como una tablet o un smartphone. Para cargar un dispositivo que esté transmitiendo música en streaming a través de Bluetooth, detenga primero la música y seguidamente espere que se vuelva a conectar tras insertar el cable USB.

Conecte aquí su unidad flash USB para reproducir música. Use la perilla de volumen de FUENTE para ajustar el volumen. Pulse el botón **Stereo-Link^{MR} / Repetir** para ir cambiando entre las cinco opciones de repetición/selección aleatoria. Encontrará los detalles en la sección [Modo USB](#).

Nota: Su unidad USB no puede almacenar más de 512 GB y debe contener archivos MP3 reproducibles para que sus datos puedan aparecer correctamente en el display. Al conectar una unidad USB que contenga archivos MP3, el altavoz Total PA^{MR} Apex ordenará alfabéticamente los archivos por carpeta en el directorio raíz y seguidamente por nombre de pista en la carpeta.

11. Volumen del micrófono inalámbrico MIC 1

Use esta perilla para ajustar el volumen del micrófono inalámbrico incluido. Encontrará los detalles en la sección [Uso del micrófono inalámbrico](#) donde se explica la configuración y el encendido del micrófono.

12. Volumen MIC 2

Use esta perilla para ajustar el volumen del micrófono o de la fuente de nivel de micrófono conectados a las **Entradas MIC 2**.

CONSEJO: Encontrará los consejos para mezclar adecuadamente el nivel de audio para el MIC 1, MIC 2 y otros volúmenes de fuente en la sección [Balancear sus niveles](#).

13. Entradas MIC 2 (6,35 mm / 1/4" y XLR)

Conecte a estas entradas un micrófono o una fuente de nivel de micrófono.

14. Volumen de la fuente

Ajuste el volumen de los dispositivos conectados a las **entradas AUX** o a una fuente **Bluetooth**.

15. Entradas AUX (3,5 mm / 1/8" y XLR)

Conecte un reproductor de CD, un reproductor de MP3 u otra fuente de audio a estas entradas de nivel de línea.

16. Salida de mezcla (XLR)

Conecte esta salida a un altavoz, mezclador o grabadora. En el dispositivo conectado se escuchará todo el sonido del altavoz (incluido el efecto eco, pero excluyendo los ajustes de volumen y EQ).

17. LED de recorte de señal

El LED de recorte de señal parpadeará en rojo, si se recorta la señal (la distorsión procedente de una señal excesivamente fuerte) de los jacks de entrada o de la fuente de audio del **panel de medios**. Si esto ocurre, disminuya el ajuste del **volumen principal** o el volumen para la **entrada Aux/Mic** (si se conecta un dispositivo con una señal excesivamente fuerte a alguna de estas dos entradas).

18. Interruptor de encendido

Accione este interruptor para encender o apagar el altavoz.

Nota: Si durante 20 minutos no se reproduce ninguna señal de entrada de ninguna fuente (incluida la entrada MIC), el altavoz entrará en el modo de bajo consumo. En este modo, la pantalla se oscurecerá. Tras 50 minutos de inactividad, el altavoz entrará en el modo de suspensión y usted deberá apagar y volver a encender el altavoz para salir de este modo. El altavoz reanudará su funcionamiento normal una vez que comience a recibir una señal por alguna entrada de audio.

19. Entrada de cable de alimentación (IEC)

Inserte aquí el cable de alimentación incluido para suministrar corriente eléctrica a la unidad.

FUNCIONAMIENTO

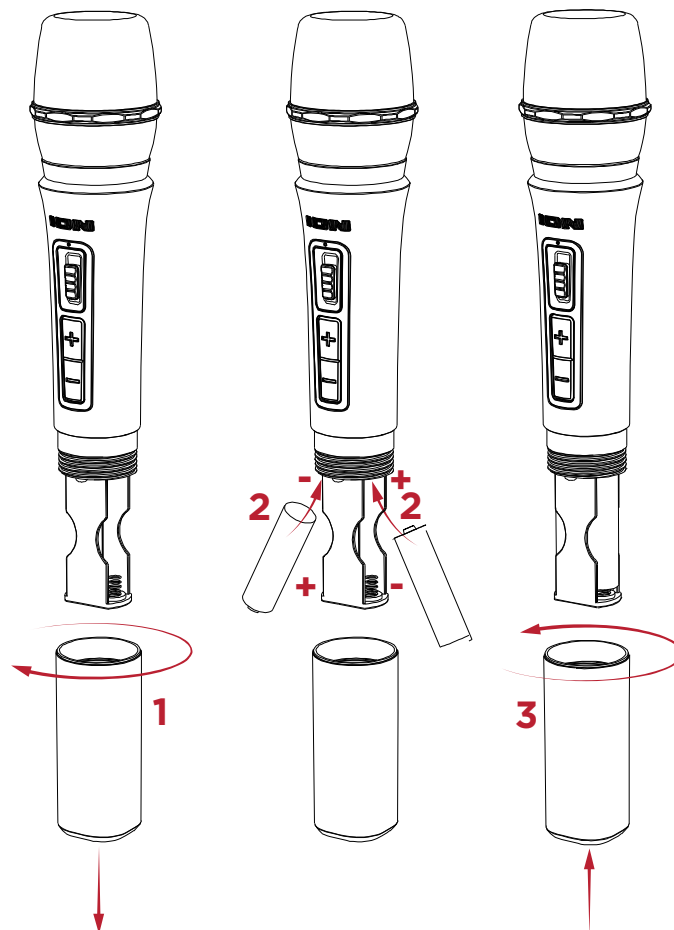
Cuidado de las pilas

Siga estas instrucciones para obtener los mejores resultados al sustituir las pilas del micrófono inalámbrico:

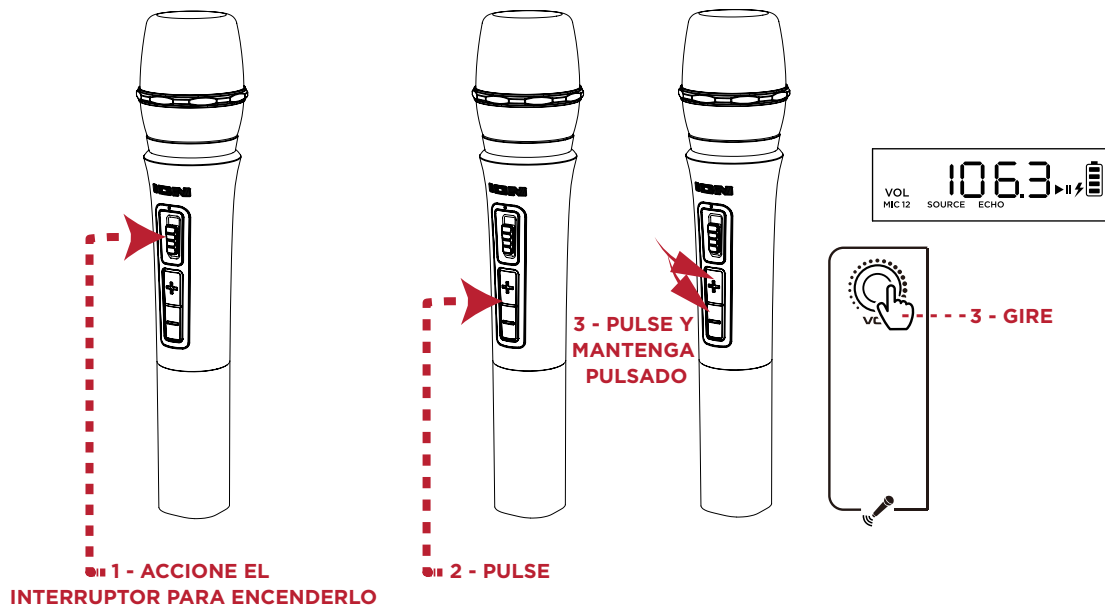
- Antes de instalarlas, limpie los contactos de las pilas y los contactos del compartimento de pilas del micrófono inalámbrico.
- Sustituya ambas pilas a la vez.
- Extraiga las pilas del micrófono inalámbrico, si no lo va a usar durante un tiempo prolongado.
- Extraiga inmediatamente las pilas agotadas.

Instalación de baterías en el micrófono inalámbrico

1. Retire la tapa del compartimento de baterías girándola en el sentido de las agujas del reloj.
2. Instale dos baterías alcalinas AA nuevas (no incluidas) siguiendo la orientación de los polos indicada en el compartimento.
3. Vuelva a colocar la tapa del compartimento de baterías en su sitio girándola en sentido contrario a las agujas del reloj.



Uso del micrófono inalámbrico



1. Encienda el micrófono inalámbrico accionando el interruptor de encendido/apagado del micrófono. El LED indicador de encendido del micrófono parpadeará en azul si se está emparejando con el altavoz y se iluminará permanentemente en azul al conectarse al altavoz.
2. El micrófono debería emparejarse automáticamente, si el altavoz Total PA^{MR} Apex está encendido. Si no se empareja automáticamente, pulse y mantenga pulsados simultáneamente los botones + y - durante tres segundos para reiniciar el emparejamiento del micrófono.
3. Pulse los controles +/- en el micrófono o gire la **perilla de volumen MIC 1** para ajustar el nivel del micrófono. Si no puede oír el micrófono por encima de su fuente de audio, puede ser necesario bajar el nivel del volumen de la fuente o aumentar el volumen del micrófono.

Nota: El micrófono inalámbrico únicamente se conectará a un solo altavoz Stereo-Link^{MR} (el altavoz más cercano). Si se usan dos altavoces Total PA^{MR} Apex, se deberá conectar la **salida de mezcla** del primer altavoz a la **entrada de fuente XLR** del segundo altavoz.

CONSEJO: Encontrará los detalles sobre cómo balancear los niveles de volumen en la sección [Balancear sus niveles](#).

Nota: Un indicador azul y rojo aparecerá en el micrófono inalámbrico, si a la batería le queda poca carga y ese indicador parpadeará en rojo, si está casi agotada.

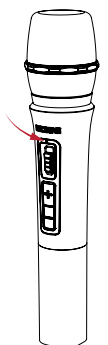
Indicador LED de micrófono inalámbrico:

El LED azul parpadea lentamente: el micrófono inalámbrico está encendido, pero no está en modo de emparejamiento.

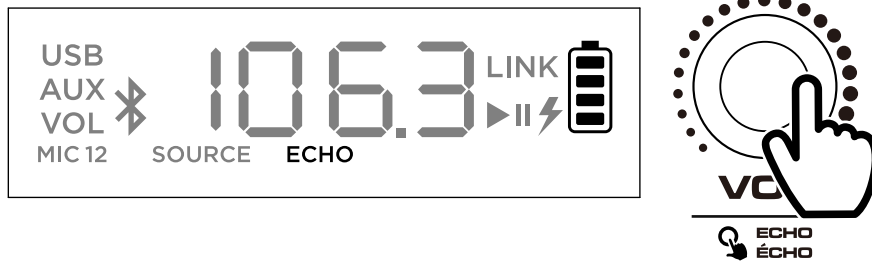
El LED azul parpadea rápidamente: el micrófono inalámbrico está emparejándose con el altavoz.

El LED se ilumina fijamente en azul: el micrófono inalámbrico está emparejado con el altavoz.

El LED rojo parpadea rápidamente: esto indica un bajo nivel de carga en la batería del micrófono inalámbrico.



Uso de la perilla de volumen principal

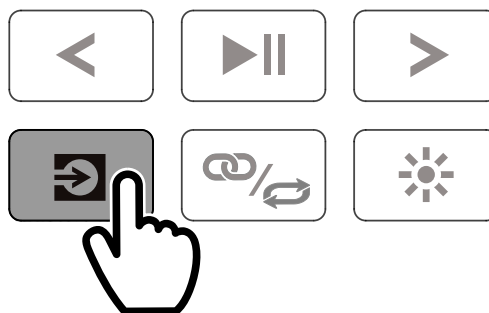


De forma predeterminada, con la **perilla de volumen principal** se controla el volumen principal para todos los canales. Pulse esta perilla para activar la función Eco y gire esta perilla para cambiar el ajuste.

Si durante cinco segundos no se produce ninguna actividad con la **perilla de volumen principal**, quedarán desactivadas estas funciones especiales.

Para restablecer los ajustes de fábrica del altavoz, mantenga pulsada la **perilla de volumen principal** durante cinco segundos. El altavoz se apagará y se encenderá y el restablecimiento se efectuará correctamente.

Emparejamiento de un dispositivo Bluetooth®



PULSE

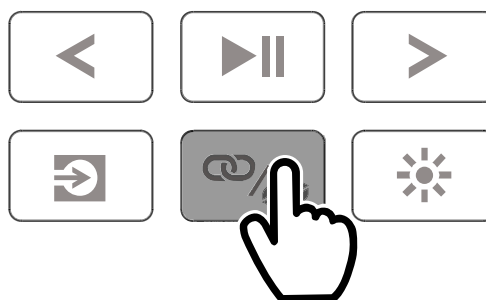
1. Encienda el altavoz Total PA^{MR} Apex accionando el interruptor de encendido.
2. Cuando la unidad se enciende por primera vez, entra automáticamente en el modo de emparejamiento Bluetooth. En caso necesario, pulse el botón **Fuente** para seleccionar el modo Bluetooth. Si las indicaciones de voz están habilitadas, oírás las palabras "Bluetooth Pairing" (Emparejamiento Bluetooth).
3. Vaya hasta la pantalla de configuración de Bluetooth de su dispositivo, encuentre el altavoz **Total PA Apex** y establezca la conexión con él. No lo conecte a **iPA185A_BLE**; pues esta opción está reservada exclusivamente para conectar la app **ION Sound Control^{MR}**. Si está conectado, el icono de Bluetooth en el display parpadeará y se escucharán las palabras "Bluetooth Connected" (Bluetooth conectado).

Nota: Si tiene algún problema para establecer la conexión, seleccione "Forget this Device" (Descartar este dispositivo) en su dispositivo Bluetooth y trate nuevamente de establecer la conexión.

Nota: El volumen del altavoz Total PA^{MR} Apex no afecta al volumen de su dispositivo Bluetooth. Para conseguir la mejor calidad de sonido, ajuste el volumen de la fuente de entrada al 100 % y use el control de fuente de audio y del volumen principal del altavoz para ajustar el volumen.

Para desconectar, pulse dos veces el botón **Fuente** en el altavoz Total PA^{MR} Apex.

Emparejamiento de dos altavoces



PULSAR DOS VECES

1. Encienda ambos altavoces Total PA^{MR} Apex accionando los interruptores de encendido. Compruebe que están en el modo de emparejamiento Bluetooth y no están conectados a un dispositivo.
2. Pulse dos veces el botón **Stereo-Link^{MR} / Repetir** en un solo altavoz (el altavoz primario que controlará ambos altavoces) y pulse seguidamente el botón **Stereo-Link^{MR} / Repetir** en el segundo altavoz para entrar en el modo Stereo-LinkTM. Una vez que se haya efectuado el emparejamiento, la palabra LINK aparecerá en los displays de ambos altavoces.
3. Conéctese al altavoz primario a través de Bluetooth.

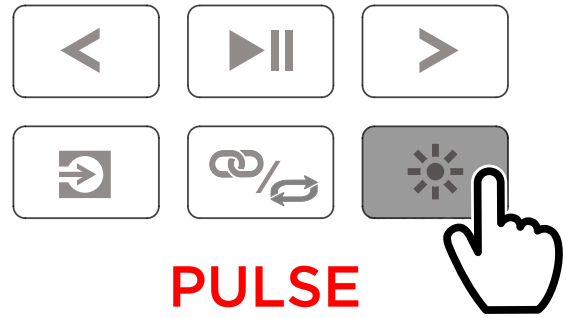
Si desea desconectarse, pulse dos veces el botón **Stereo-Link^{MR} / Repetir**.

Nota: Para lograr emparejarlos correctamente, los altavoces deberían estar a menos de 26 m (85 pies) de distancia entre sí.

Nota: El micrófono inalámbrico únicamente se conectará a un solo altavoz Stereo-Link^{MR} (el altavoz más cercano). Si se usan dos altavoces Total PA^{MR} Apex, se deberá conectar la **salida de mezcla** del primer altavoz a la **entrada de fuente XLR** del segundo altavoz.

Nota: El altavoz Total PA^{MR} Apex no es compatible con los modelos de PA anteriores de ION. Para emparejar con un modelo anterior, deberá utilizar un cable XLR (no incluido). Conecte el cable XLR al puerto XLR de la salida de mezcla en el altavoz Total PA^{MR} Apex y al puerto de entrada XLR en el modelo anterior.

Modos de iluminación



El altavoz Total PA^{MR} Apex tiene dos luces laterales, seis luces de tweeter y cuatro luces de woofer. Todos los LED pueden controlarse individualmente.

Al encender el altavoz por primera vez, una luz roja se moverá desde la parte inferior del altavoz hacia arriba, iluminando todos los LED. Una vez que todos los LED están iluminados, las luces se mantendrán iluminadas durante dos segundos antes de apagarse.

Después de activar un efecto de iluminación, todos los LED se iluminarán y atenuarán en azul hasta que se conecte un dispositivo Bluetooth al altavoz. Si están emparejados, todos los LED parpadearán en azul dos veces antes de regresar al modo de iluminación que se haya seleccionado la última vez.

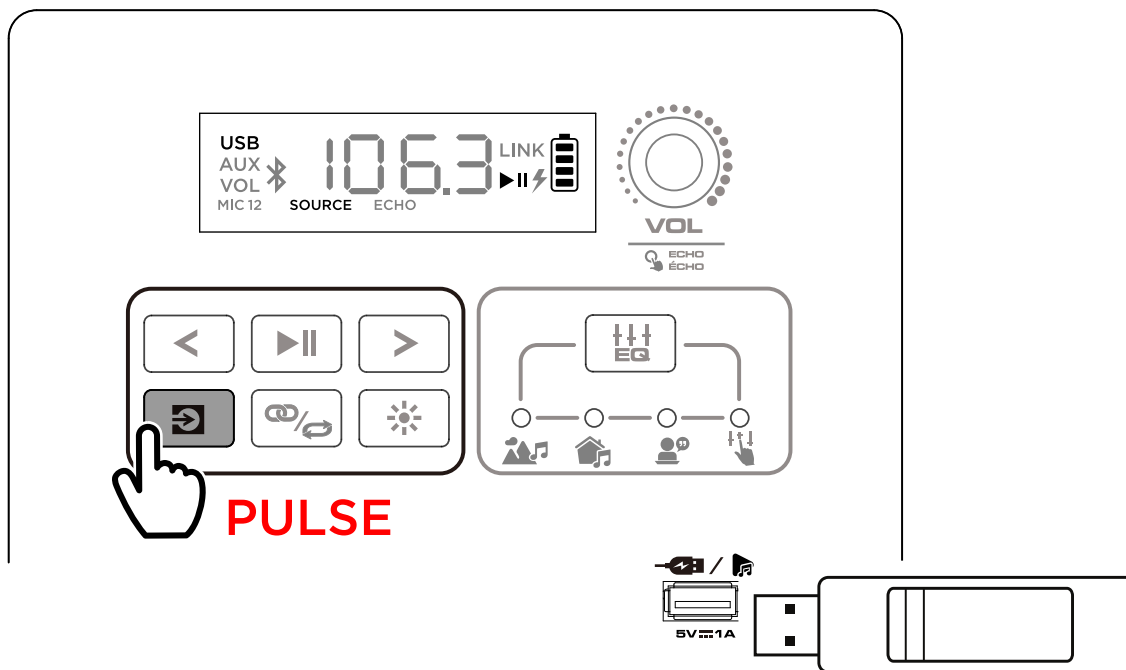
Pulse el botón **Luces** para ir cambiando entre los doce modos para los LED en el altavoz Total PA^{MR} Apex.

Nota: Para conseguir el mejor efecto de iluminación, puede ser necesario aumentar el volumen de su dispositivo conectado o de su fuente de entrada de audio.

- **Efecto Rainbow Chase – Sincronización de ritmos:** un arcoíris de colores girará alrededor de los LED del altavoz en sentido contrario a las agujas del reloj. Cuantos más graves contenga la música, mayor será la velocidad de giro del patrón de arcoíris.
- **Efecto Starlight:** todos los LED parpadearán con una luz de color aleatorio y se irán atenuando lentamente. Cuantos más graves contenga la música, más rápidamente parpadearán las luces.
- **Efecto Fire Pit:** las luces destellarán en rojo, amarillo y naranja, mientras que las luces laterales ascienden y descienden. El nivel de las "llamas" depende de la cantidad de graves que contenga la música.
- **Efecto Rain Drops:** los LED del tweeter y de los laterales muestran una gota de color de arriba abajo. Una vez que esa gota de color llega al LED inferior, las luces del woofer se proyectan salpicando como agua del mismo color, y la secuencia se repite de lado a lado. Al mismo tiempo, se verán cuatro rachas de gotas de lluvia.
- **Efecto Crossfade:** las luces del woofer y del tweeter aparecerán y se desvanecerán en ambos lados, mientras que las luces laterales harán lo mismo arriba y abajo.

- **Efecto Bouncing Stars:** las rachas de luces descenderán por los lados. Al encontrarse en la parte inferior central del altavoz, rebotarán adquiriendo el siguiente color del espectro y volverán a descender. Las luces del woofer pulsarán con el nuevo color cuando las rachas de luces reboten en las áreas centrales, repitiendo la secuencia con el siguiente color del espectro.
- **Ondas horizontales - Sincronización de ritmos:** tres ondas de un solo color pasarán de largo y cuando hayan descendido desde el lado superior izquierdo hacia el lado inferior derecho, aparecerán nuevas ondas que tendrán el siguiente color del espectro. Las ondas se acelerarán o desacelerarán dependiendo de la cantidad de graves que contenga la música.
- **Sincronización de ritmos:** todos los LED se iluminarán subiendo y bajando a una velocidad acorde con el nivel de graves que contenga la música. Los colores se difuminarán cambiando de uno a uno por todo el espectro cromático.
- **Ciclo de dos tonos:** un lado de los LED (incluidos dos LED de las luces del tweeter y un LED de la luz lateral) mostrará un solo color, mientras que el otro lado se iluminará con un color afín del espectro de colores.
- **Ciclo de colores:** todos los LED lucirán el mismo color a la vez, mientras que van adquiriendo cada color del espectro.
- **Color estático:** todos los LED lucirán el mismo color (este color puede ajustarse mediante la app ION Sound Control^{MR}). De forma predeterminada, este color es el azul. Hay 15 colores que pueden seleccionarse mediante la app ION Sound Control^{MR}.
- **Aleatorio:** los LED irán cambiando aleatoriamente cada diez segundos pasando por todos los modos de iluminación (excepto el modo de color estático).
- **Apagados:** todos los LED estarán apagados.

Modo USB



Al insertar una unidad USB con archivos compatibles en el **puerto USB de carga/reproducción**, el altavoz Total PA^{MR} Apex cambiará automáticamente al modo USB. Si la unidad USB ya se había insertado y usted está usando otro modo, pulse el botón **Fuente** hasta seleccionar el modo USB. El altavoz Total PA^{MR} Apex reproducirá automáticamente el primer archivo MP3 compatible. Los archivos se reproducen en orden alfabético en el nivel del directorio raíz, luego en orden alfabético por carpeta y después en orden alfabético por nombre de pista. La reproducción de medios se detendrá cuando se hayan reproducido todos los medios en la unidad USB. Pulse y mantenga pulsados el botón > o el botón < para avanzar o retroceder dentro de una canción.

Nota: La unidad USB deberá tener archivos MP3 reproducibles para que pueda aparecer en el display del panel de medios.

Pulse el botón **Repetir** para ir cambiando por las opciones de selección aleatoria con repetición (se mostrarán abreviaturas en el display):

- Reproducir la pista actual tomada del USB con repetición (**OnE**). Este es el modo predeterminado cuando se enciende el altavoz.
- Reproducir las pistas en orden aleatorio (**rAn**).
- Reproducir todas las pistas en la unidad USB con repetición (**ALL**).
- Reproducir la lista de pistas de la carpeta actual con repetición (**FOLD**). Se usará la carpeta en la que esté la canción que se está reproduciendo en el momento de activar este modo. Por ejemplo, si se está reproduciendo una canción en el nivel del directorio raíz, al seleccionar **FOLD** se repetirán solamente las canciones incluidas en ese nivel. Si una canción está en la carpeta "A", entonces se reproducirán solamente las canciones incluidas en esa carpeta.

Control por app

IMPORTANTE: Para aprovechar la app al máximo, use la versión más actualizada del sistema operativo Android o iOS en su dispositivo.

Siga estos pasos para descargar la app gratuita en su dispositivo:

1. Abra la Apple App Store o Google Play en su dispositivo. Seguidamente, busque la app **ION Sound Control^{MR}**.
2. Siga las instrucciones que aparecerán en pantalla para descargar e instalar la app. Una vez descargada, la app **ION Sound Control^{MR}** aparecerá en la pantalla de inicio de su dispositivo.
3. Conecte su dispositivo al altavoz Total PA^{MR} Apex mediante Bluetooth. Consulte la sección [Emparejamiento de un dispositivo Bluetooth®](#) para saber cómo hacerlo.
4. Abra la app ION Sound Control^{MR}. Si la app se lo indica, permita que la app acceda al Bluetooth de su dispositivo y a los servicios basados en la ubicación.
5. Seleccione el icono del altavoz **Total PA^{MR} Apex** para pasar a la siguiente pantalla, en la que podrá usar la app para controlar varias funciones en el altavoz como, por ejemplo:
 - **Volumen principal:** ajuste el volumen de salida del altavoz principal.
 - **Selección de fuente:** seleccione la fuente que desea usar: Bluetooth, USB o AUX.
 - **Volumen de la fuente:** ajuste el volumen de entrada para las fuentes de Bluetooth, USB y AUX.
 - **Volumen MIC 1:** ajuste el volumen del micrófono inalámbrico.
 - **Volumen MIC 2:** ajuste el volumen para las entradas de micrófono de 6,35 mm / 1/4" y XLR.
 - **EQ:** ajuste la ecualización del altavoz.
 - **Eco del micrófono:** active o desactive el efecto eco del micrófono.
 - **Indicaciones de voz:** habilite o deshabilite las indicaciones de voz.
 - **Soporte técnico:** visite la web ionaudio.com, contacte con nuestro servicio de soporte técnico y consulte la información sobre la garantía y las preguntas frecuentes.
 - **Efecto de iluminación:** elija el efecto de iluminación.
 - **Actualizaciones inalámbricas del firmware:** mantenga su altavoz actualizado instalando el firmware más reciente.

SOLUCIÓN DE PROBLEMAS

Si hay distorsión en el sonido: es posible que tenga que ajustar los niveles de sus fuentes y del altavoz Total PA^{MR} Apex para lograr una mezcla correcta.

- i. Primero, suba al máximo el volumen de la fuente.
- ii. Seguidamente, ajuste con la perilla el **volumen del canal (VOL)** seleccionado en el altavoz Total PA^{MR} Apex a un nivel adecuado.
- iii. Por último, ajuste el **volumen principal** a un nivel adecuado.

Si continúa la distorsión del sonido, trate de bajar el control del volumen de su fuente de sonido, y después trate de bajar con la perilla el **volumen del canal (VOL)** que se esté usando en el altavoz Total PA^{MR} Apex.

Si escucha un zumbido al conectar los cables:

- Desconecte los cables de los jacks de entrada para ver si se trata de un cable defectuoso.
- Compruebe que los cables de señal no están colocados cerca de los cables de alimentación.
- Conecte todos los cables de alimentación del equipo de audio a las salidas que comparten una tierra común.

Si el nivel de graves es excesivo: trate de ajustar el control de ecualización en su fuente de sonido o en el altavoz Total PA^{MR} Apex para bajar el nivel de graves. De esta forma, usted podrá reproducir la música con más volumen antes de que ocurra el recorte de la señal (por la distorsión).

¿Qué hacer si el micrófono inalámbrico no funciona?:

- Compruebe que las baterías están instaladas correctamente.
- Instale dos baterías AA nuevas (no incluidas) siguiendo la orientación de los polos indicada en el compartimento. El micrófono debería emparejarse automáticamente, si el altavoz Total PA^{MR} Apex está encendido. Si no lo hace, pulse y mantenga pulsados los botones + y - en el micrófono durante 3 segundos para reiniciar el emparejamiento del micrófono.

Si al usar micrófonos se produce un ruido de silbido con tonos muy agudos: esto indica probablemente una retroalimentación acústica. Oriente el micrófono alejándolo del altavoz.

Si no se puede oír el micrófono por encima del volumen de la música:

- i. Primero, baje el volumen de su fuente de audio usando la perilla del **volumen del canal (VOL)** correspondiente en el altavoz Total PA^{MR} Apex.
- ii. Seguidamente, compruebe que el volumen de su micrófono está en su máximo nivel (según corresponda) y después gire la perilla del **volumen del canal (VOL)** correspondiente para aumentar ese volumen en el altavoz Total PA^{MR} Apex al que está conectado el micrófono.

Si no puede conectar su dispositivo de audio al altavoz Total PA^{MR} Apex mediante Bluetooth:

- Al intentar establecer la conexión, acerque tanto como sea posible el dispositivo de audio (por ejemplo, su smartphone o tablet) al altavoz Total PA^{MR} Apex. Asegúrese de que ni el dispositivo de audio ni el altavoz Total PA^{MR} Apex están obstaculizados por paredes, muebles, etc.
- Reinicie la conexión Bluetooth en el altavoz Total PA^{MR} Apex para desconectar el Total PA^{MR} Apex de cualquier otro dispositivo de audio y reinicie el proceso de búsqueda. Si esta medida no da resultado de inmediato, apague el altavoz Total PA^{MR} Apex y vuelva a encenderlo. Consulte la sección [Emparejamiento de un dispositivo Bluetooth®](#) donde encontrará más información.
- Reinicie la conexión Bluetooth en su dispositivo de audio desactivando y volviendo a activar Bluetooth. Puede encontrar esta opción en el menú de Bluetooth en los ajustes de su smartphone u otro dispositivo de audio.

Si esta medida no da resultado y usted ya se ha conectado al altavoz Total PA^{MR} Apex, encuentre el altavoz Total PA^{MR} Apex en la lista de dispositivos disponibles o previamente conectados en el menú de Bluetooth de su dispositivo de audio, toque el icono de engranaje o el icono de “i” junto al menú y seleccione **Unpair** (Desemparejar) o **Forget** (Descartar). Apague y encienda el altavoz Total PA^{MR} Apex y trate de efectuar nuevamente el emparejamiento, una vez que este altavoz vuelva a aparecer en su lista de dispositivos disponibles.

Nota: Si el altavoz Total PA^{MR} Apex ha sido emparejado recientemente con otro dispositivo de audio que todavía se encuentra dentro del alcance de Bluetooth, puede ser necesario repetir este proceso con ese dispositivo de audio para desconectarlo totalmente.

Si tiene pérdidas de audio al reproducir música desde un dispositivo Bluetooth, es posible que esto esté ocurriendo debido a que su unidad está intentando emparejarse con otro altavoz. Esto puede suceder si usted apaga un altavoz que estaba emparejado con su unidad o si usted acaba de encender su unidad y esta está en modo Stereo-Link^{MR}. Para detener las pérdidas de audio, salga del modo Stereo-Link^{MR} pulsando dos veces el botón **Stereo-Link^{MR} / Repetir**. Como alternativa, puede esperar a que su unidad se empareje con otro altavoz, si hay algún otro altavoz a su alcance.

APÉNDICE

Especificaciones técnicas

Altavoces	Baja frecuencia: 305 mm / 12,0" Alta frecuencia: 25,4 mm / 1,0"
Respuesta de frecuencia	50 Hz - 20 kHz
Tecnología inalámbrica	Bluetooth® - Audio Clásico
Alcance inalámbrico *	Alcance de Bluetooth®: hasta 30,5 m / 100 pies Alcance de TWS: hasta 23 m / 75 pies
Alcance del micrófono inalámbrico*	30,5 m / 100 pies
USB	Audio: reproducción de música desde unidad USB Sistema de archivos compatible: FAT32 Tipo de archivo compatible: MP3 Tamaño máximo de los archivos: 4 GB Capacidad máxima de la unidad USB: 512 GB
Batería	Capacidad de la batería: 11,1 V, 6000 mAh Duración de la batería: 6-8 horas (con el volumen al 50 % y las luces apagadas) ** Tiempo de carga: hasta 5 horas
Fuente de alimentación	Cable: IEC 320 C13 Tensión de entrada: 100-240 VCA, 50/60 Hz, 320 W Fusible: F5AL AC250V
Dimensiones (ancho x profundidad x altura)	411,7 x 317,5 x 651 mm / 16,21" x 12,50" x 25,63"
Peso	13,2 kg / 29,15 lb

Las especificaciones están sujetas a cambios sin aviso previo.

* La recepción y el alcance de las señales inalámbricas y Bluetooth son afectados por paredes, obstáculos y movimientos. Para obtener un rendimiento óptimo, coloque el producto en el centro de la habitación, de forma que no sea obstaculizado por paredes, muebles, etc.

** La duración de las pilas puede variar en función de la temperatura, el tiempo de uso y el manejo del volumen del producto.

Marcas comerciales y licencias

ION Audio es una marca comercial de inMusic Brands, Inc., registrada en Estados Unidos y otros países. App Store es una marca comercial de Apple Inc., registrada en Estados Unidos y otros países.

Android y Google Play son marcas comerciales registradas de Google Inc.

La marca y el logotipo de *Bluetooth* son propiedad de Bluetooth SIG, Inc. y cualquier uso de tal marca o logotipo por parte de ION Audio está sujeto a licencia.

Todos los demás nombres de productos, nombres de empresas, marcas comerciales o denominaciones comerciales pertenecen a sus respectivos propietarios.

Distributed by:
Costco Wholesale Corporation
P.O. Box 34535
Seattle, WA 98124-1535
USA
1-800-774-2678
www.costco.com

Costco Wholesale Canada Ltd.*
415 W. Hunt Club Road
Ottawa, Ontario
K2E 1C5, Canada
1-800-463-3783
www.costco.ca
* faisant affaire au Québec sous
le nom les Entrepôts Costco

Importado por:
Importadora Primex S.A. de C.V.
Blvd. Magnocentro No. 4
San Fernando La Herradura
Huixquilucan, Estado de México
C.P. 52765
RFC: IPR-930907-570
(55)-5246-5500
www.costco.com.mx

Costco Wholesale Australia Pty Ltd
17-21 Parramatta Road
Lidcombe NSW 2141
Australia
www.costco.com.au

Costco Wholesale UK Ltd/
Costco Online UK Ltd
Hartspring Lane
Watford, Herts
WD25 8JS
United Kingdom
01923 213113
www.costco.co.uk

Costco Wholesale Spain S.L.U.
Polígono Empresarial Los Gavilanes
C/ Agustín de Betancourt, 17
28906 Getafe (Madrid) España
NIF: B86509460
900 111 155
www.costco.es

Costco Wholesale Iceland ehf.
Kauptún 3-7, 210 Gardabaer
Iceland
www.costco.is

Costco France
1 avenue de Bréhat
91140 Villebon-sur-Yvette
France
01 80 45 01 10
www.costco.fr

Costco Wholesale Japan Ltd.
2 Kakuchi, 2 Gaiku, Kaneda-Nishi
361 Urakura, Kisarazu shi
Chiba, 292-0007 Japan
0570-200-800
www.costco.co.jp

Costco Wholesale Korea, Ltd.
40, Iljik-ro
Gwangmyeong-si
Gyeonggi-do, 14347, Korea
1899-9900
www.costco.co.kr

Costco Wholesale New Zealand Limited
2 Gunton Drive
Westgate Auckland 0814
New Zealand
www.costco.co.nz

Costco (China) Investment Co., Ltd.
Room 01 Mezzanine
No. 5178, Kang Xin Highway
Pudong New District
Shanghai
China 201315
+86-21-6257-7065

Costco Wholesale Sweden AB
Box 614
114 11 Stockholm
Sweden
www.costco.se

HECHO EN CHINA

TABLE DES MATIÈRES

INTRODUCTION	54
Contenu de l'emballage.....	54
Assistance	54
Charge et informations sur la batterie.....	55
Démarrage rapide	56
Équilibrage des niveaux	57
INSTALLATION	58
Installation du pied de haut-parleur	58
Schéma de connexion.....	59
FONCTIONS.....	60
Panneau arrière	60
UTILISATION	64
Changement des pile	64
Installation des piles dans le micro sans fil.....	64
Utilisation du micro sans fil	65
Utilisation de la molette de volume principal	66
Appairage d'un appareil Bluetooth®	67
Relier deux haut-parleurs.....	68
Modes lumineux.....	69
Mode USB.....	71
Application de commande.....	72

RÉSOLUTION DES PROBLÈMES73

ANNEXE75

Spécifications techniques 75

Marques et licences 76

INTRODUCTION

Merci d'avoir acheté le Total PA^{MC} Apex. ION prend très au sérieux votre divertissement. C'est pourquoi nos produits sont conçus pour rendre votre vie plus amusante et plus pratique.

Remarque : veuillez recharger les batteries avant d'utiliser le produit. Votre appareil a été intentionnellement expédié avec une charge de batterie réduite pour assurer un transport en toute sécurité. Pour une efficacité optimale, éteignez le haut-parleur pendant la charge.

Utilisez le câble électrique inclus pour brancher l'appareil sur une prise électrique, et laissez-le en charge, ce qui peut prendre cinq heures au maximum. Ceci permet de prolonger la durée de vie de la batterie.

Contenu de l'emballage

Total PA^{MC} Apex

Câble électrique (150 cm / 5 ft.)

Micro sans fil

Pied de haut-parleur

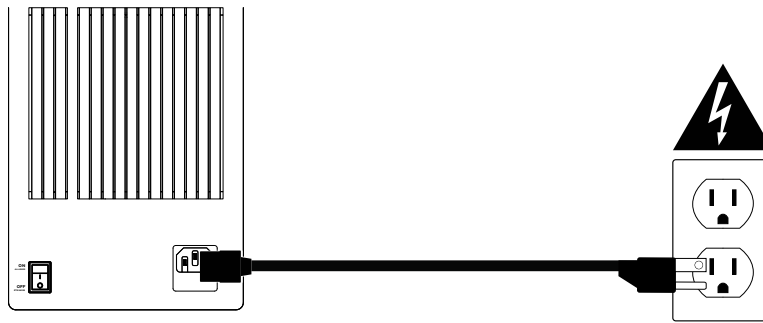
Guide de démarrage rapide

Assistance

Pour obtenir les informations les plus récentes sur ce produit (documentation, caractéristiques techniques, configuration requise, compatibilité, etc.) et pour enregistrer votre produit, rendez-vous sur ionaudio.com.

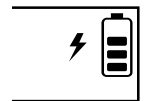
Pour davantage d'aide, rendez-vous sur ionaudio.com/support.

Charge et informations sur la batterie



Pour bénéficier du temps de charge le plus court possible, éteignez le Total PA^{MC} Apex et utilisez le câble électrique fourni pour brancher le haut-parleur sur une prise. Une charge complète peut prendre jusqu'à cinq heures.

Lorsqu'il est relié à une source d'alimentation et qu'il se recharge, l'écran du Total PA^{MC} Apex affiche un **éclair**. L'**icône de batterie** se remplit pour indiquer l'autonomie restante. La charge est terminée lorsque l'icône d'éclair disparaît et que l'icône de batterie est pleine.



Si le Total PA^{MC} Apex ne diffuse aucun son pendant 20 minutes, il se met en veille pour économiser la batterie. Cela se produit lorsque le signal Bluetooth est mis en pause, qu'aucun son n'est diffusé par un appareil branché sur le port AUX, ou que le volume est au minimum. Pour sortir l'appareil du mode de veille, relancez le signal audio ou appuyez sur un bouton.

Voici quelques conseils pour optimiser la durée de vie de la batterie.

Utilisation Chargez complètement la batterie avant d'utiliser l'appareil.

Évitez de décharger complètement la batterie. Les batteries lithium-ion ne nécessitent aucun entretien, et elles durent le plus longtemps lorsqu'elles fonctionnent entre 30 et 80 % de charge.

N'utilisez pas l'appareil lors de la charge.

Ne chargez pas la batterie lorsqu'il fait trop chaud (plus de 32 °C/90 °F) ou trop froid (moins de 0 °C/32 °F).

Stockage Pour une durée de vie optimale, ne stockez pas l'appareil à des températures trop élevées (plus de 32 °C/90 °F) ou trop basses (moins de 0 °C/32 °F).

Pour une durée de vie optimale, stockez l'appareil avec une batterie chargée à 50 %.

La batterie peut perdre en capacité si vous la laissez avec une charge faible sans la recharger pendant six mois.

Réparation Si la batterie ne se recharge plus, contactez ION Audio sur ionaudio.com.

Fin de vie Apportez l'appareil dans un centre de recyclage ou mettez-le au rebut en respectant les règles locales.

Démarrage rapide

1. Vérifiez que tous les éléments indiqués dans la liste [Contenu de l'emballage](#) sont bien présents. Vous trouverez le câble électrique et le micro dans la boîte sous la mousse.
2. Regardez le [Schéma de connexion](#).
3. Vérifiez que tous les périphériques d'entrée (micros, lecteurs CD, lecteurs MP3, etc.) sont bien éteints et que leur volume est au minimum.
4. Branchez tous les périphériques comme indiqué dans le [Schéma de connexion](#).
5. Allumez tout dans l'ordre suivant :
 - c. Périphériques d'entrée (micros, instruments, lecteurs CD, etc.)
 - d. Total PA^{MC} Apex
6. Réglez le volume des périphériques connectés. Mettez le volume des sources audio (micros, instruments, appareils Bluetooth, etc.) au maximum. Utilisez ensuite la molette de **volume source** du canal sélectionné sur le Total PA Apex^{MC} pour obtenir le volume désiré. Enfin, réglez le **Volume principal** du Total PA Apex^{MC} pour obtenir le volume désiré. Vous trouverez la procédure détaillée du réglage des niveaux dans la section [Équilibrage des niveaux](#) à la page suivante.
7. Lorsque vous avez fini d'utiliser le Total PA^{MC} Apex, éteignez tout dans l'ordre suivant :
 - c. Total PA^{MC} Apex
 - d. Périphériques d'entrée audio

Équilibrage des niveaux

Le processus ci-dessous explique comment équilibrer rapidement le signal du ou des micros et le signal de votre périphérique source (Bluetooth, AUX, USB). Le niveau des micros et de la source et le volume principal peuvent être réglés de zéro à 30.

1. Allumez le Total PA^{MC} Apex et le micro sans fil. Connectez votre périphérique Bluetooth ou AUX, ou un support USB.
2. Pendant que vous équilibrez les niveaux, utilisez la molette de **volume principal** du haut-parleur pour régler le volume, sans dépasser dix. Cela vous permettra de régler vos niveaux à un volume clair et audible, sans être trop puissant. Vous pouvez le modifier à nouveau une fois le bon équilibre trouvé.
3. Réglez le **volume source** sur zéro. Nous l'augmenterons dans une étape suivante.
4. Réglez le **volume du MIC 1** en utilisant le contrôle de volume +/- sur le micro ou la **molette de volume du MIC 1** sur le haut-parleur. Un volume de 25 est un bon point de départ. Si vous avez un second micro, câblé, celui-ci, utilisez la **molette de volume du MIC 2** pour régler les niveaux de la même façon, jusqu'à ce que les deux micros soient parfaitement audibles.
5. Réglez le volume de votre périphérique AUX ou Bluetooth (téléphone, tablette, etc.) sur 100 %. Ceci assurera un bon signal.
6. La **molette de volume source** étant toujours à zéro, lancez la lecture sur votre périphérique, puis augmentez lentement le **volume source** du haut-parleur jusqu'à atteindre un niveau clair et audible. Si vous utilisez un micro, réglez le volume source afin que le micro soit toujours audible par-dessus la musique.
7. Une fois que le micro et la source audio sont bien audibles et équilibrés, utilisez la molette de **volume principal** pour régler le niveau global de votre haut-parleur.

Pour obtenir plus d'aide, veuillez consulter la section [Résolution des problèmes](#).



INSTALLATION

Installation du pied de haut-parleur

1. Déployez complètement le trépied sur une surface plane et stable.
2. Relevez la perche de montage à la hauteur souhaitée, puis serrez la molette de réglage latérale.
3. Insérez la goupille dans le trou du bas afin que la perche reste à la bonne hauteur.
4. Dévissez la molette à la base du Total PA^{MC} Apex pour que la vis ne bloque pas le passage.
5. Alignez le manchon de montage du Total PA^{MC} Apex avec la perche, puis posez-le.
6. Serrez la molette de montage du Total PA^{MC} Apex pour le fixer à la perche.

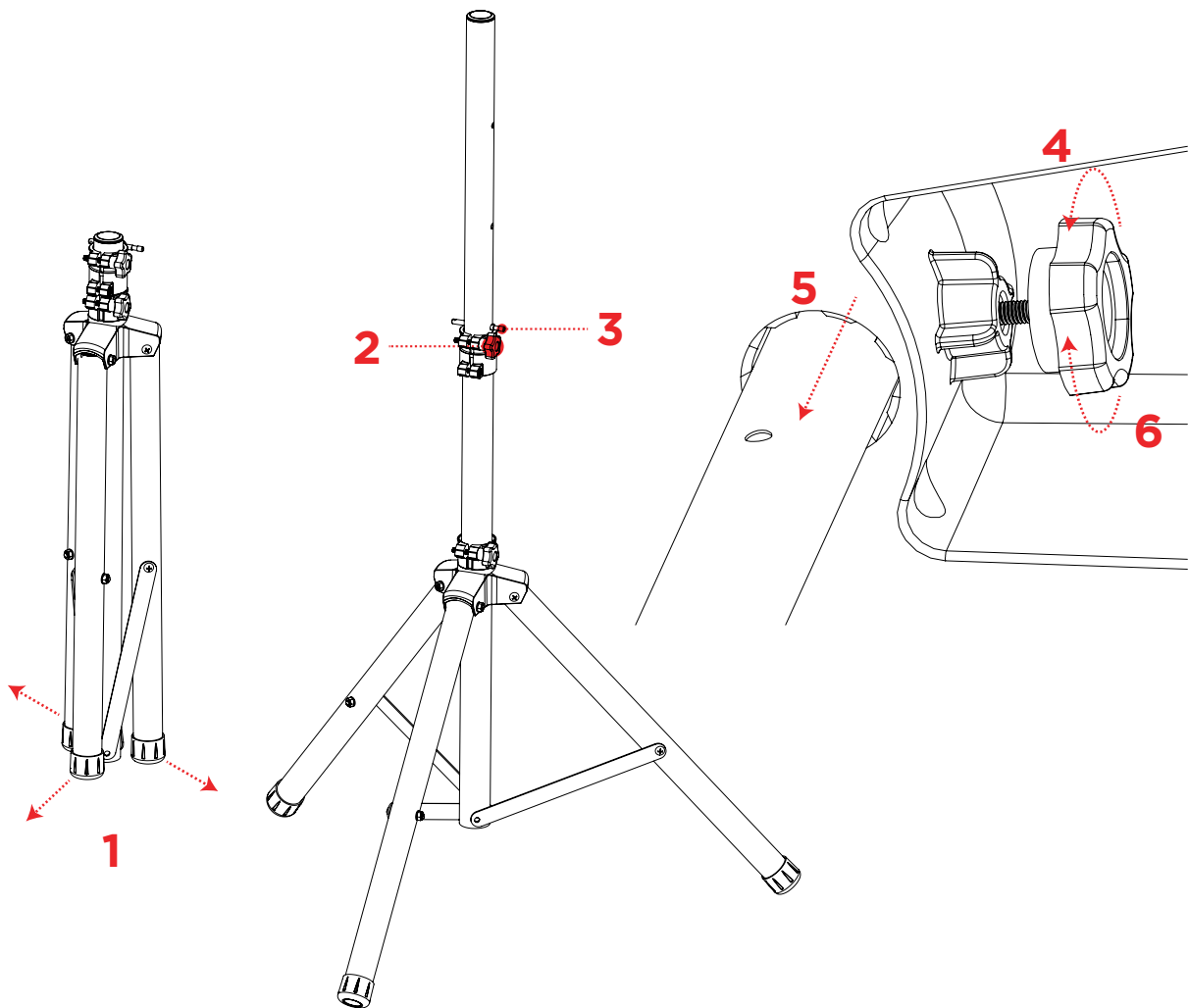
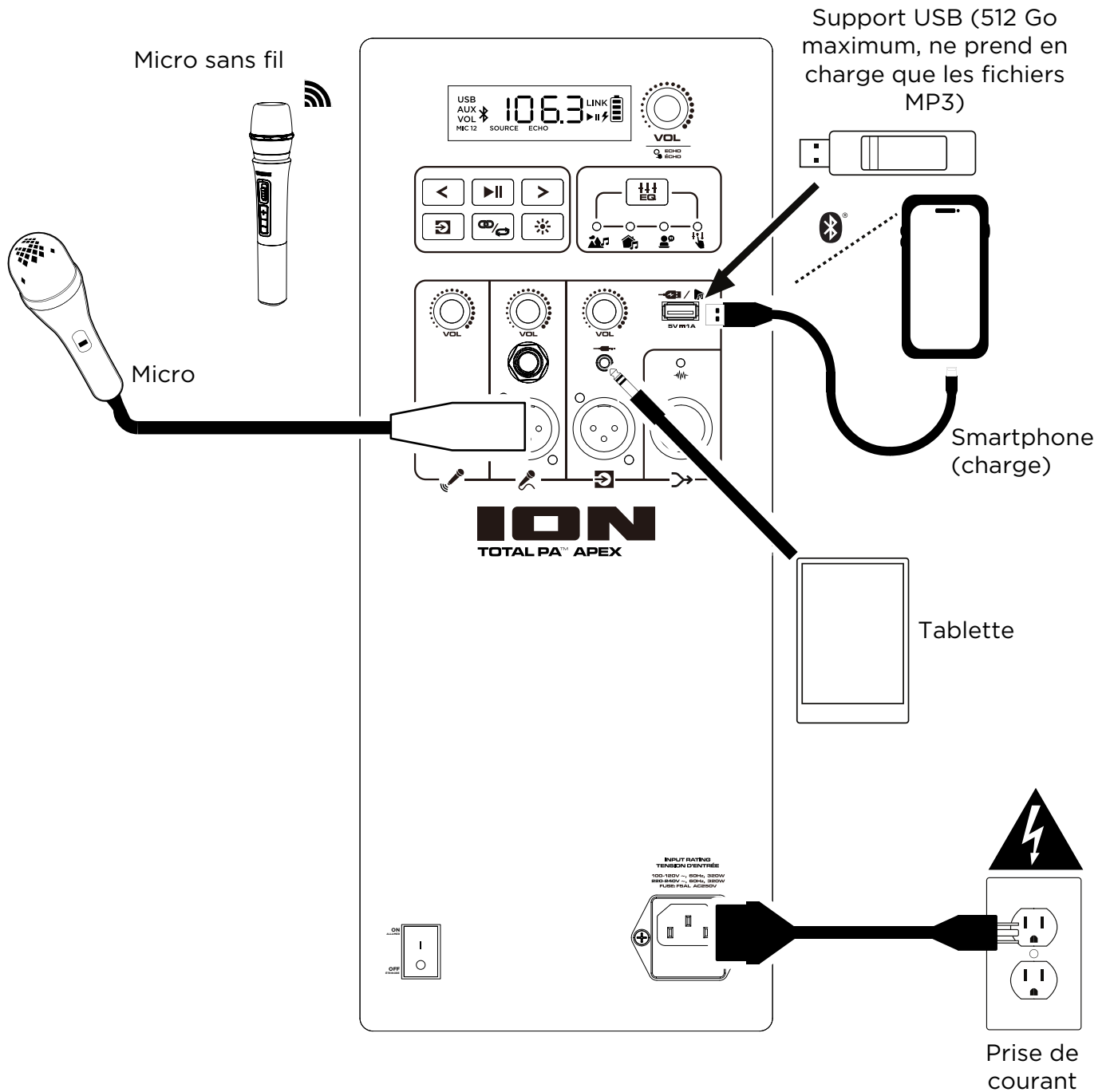


Schéma de connexion

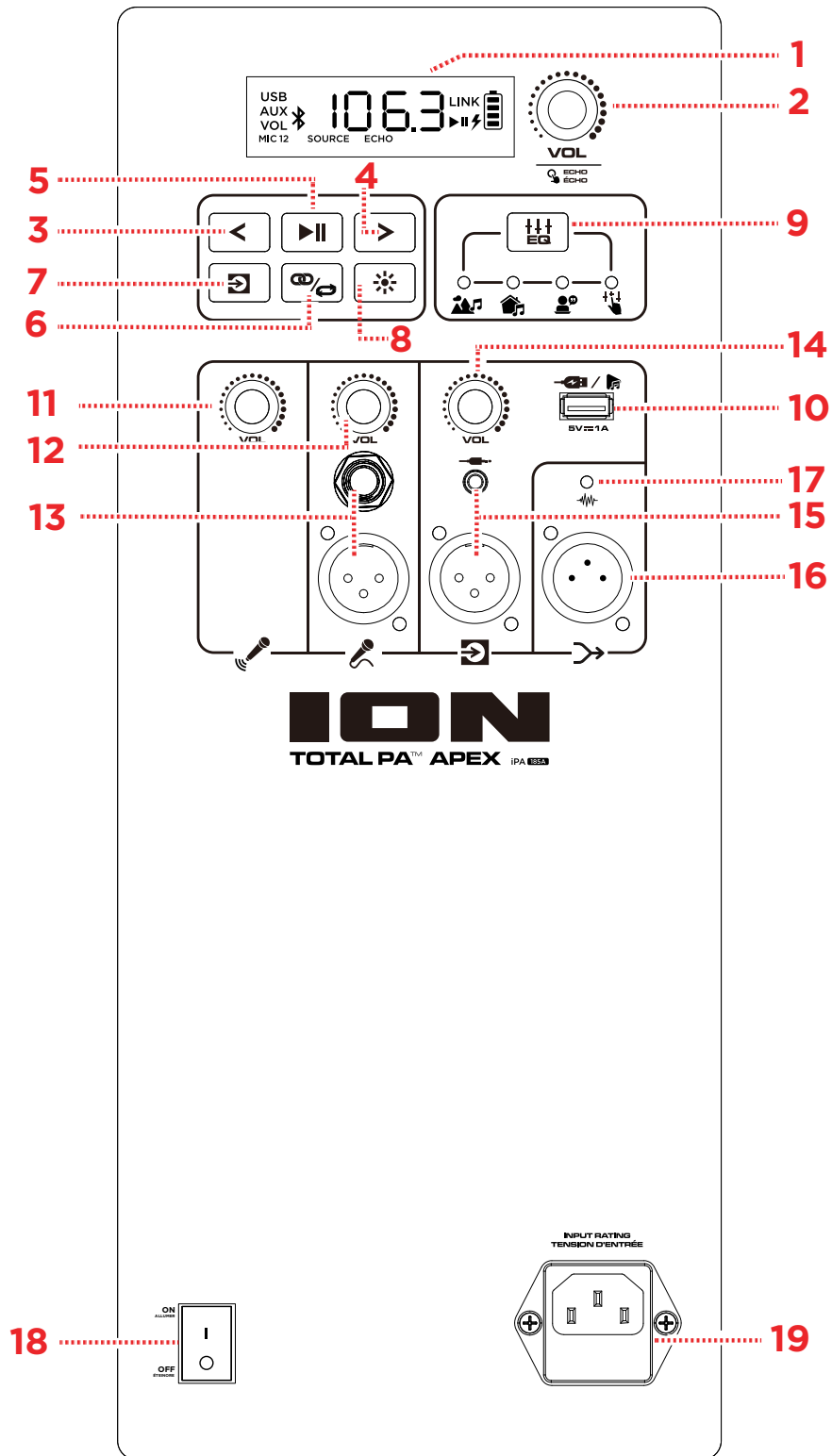
Les éléments ne figurant pas dans *Contenu de l'emballage* sont vendus séparément.



FONCTIONS

Panneau arrière

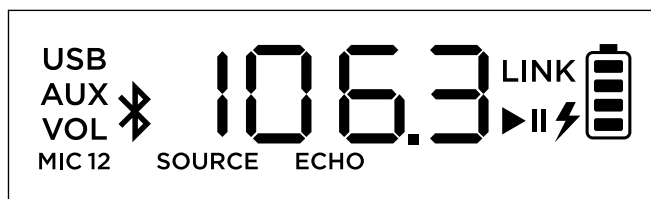
Cliquez sur un élément pour consulter la section correspondante.



1. Écran

Cet écran affiche des informations sur le fonctionnement du Total PA^{MC} Apex.

Remarque : L'écran est protégé par une feuille de plastique. Retirez-la pour bénéficier d'un affichage optimal.



2. Vol (volume principal) / Molette Echo

Utilisez cette molette pour ajuster le volume principal du haut-parleur. Appuyez sur la molette et faites-la tourner pour sélectionner l'effet Echo. Consultez la section [Utilisation de la molette de volume principal](#) pour plus de détails.

3. Piste précédente

Lorsque USB ou Bluetooth est sélectionné comme source audio, appuyez sur ce bouton pour revenir à la piste précédente dans la liste de lecture. Appuyez une deuxième fois dans la seconde qui suit pour passer à la piste précédente.

4. Piste suivante

Lorsque USB ou Bluetooth est sélectionné comme source audio, appuyez sur ce bouton pour passer à la piste suivante dans la liste de lecture.

5. Lecture/Pause

Lorsque USB est sélectionné comme source audio, appuyez sur ce bouton pour lire ou mettre en pause la piste actuelle. Appuyez deux fois pour arrêter la lecture et revenir au début de la liste de lecture.

Lorsque Bluetooth est sélectionné comme source audio, appuyez sur ce bouton pour lire ou mettre en pause la piste actuelle.

Maintenez la touche pendant trois secondes pour activer ou désactiver les messages vocaux.

6. Stereo-Link^{MC} / Répétition

Maintenez ce bouton enfoncé pour lancer la connexion stéréo avec un autre Total PA^{MC} Apex. Consultez la section [Relier deux haut-parleurs](#) pour plus de détails.

En mode USB, appuyez sur ce bouton pour répéter une piste, un dossier ou toutes les pistes. Consultez la section [Mode USB](#) pour plus de détails.

7. Source

Appuyez sur ce bouton pour choisir la source audio à utiliser : USB, AUX ou Bluetooth. Lors de l'allumage du Total PA^{MC} Apex, la source est toujours Bluetooth. La source USB ne peut être sélectionnée que lorsqu'un support USB est branché sur le Total PA^{MC} Apex ; sinon, le bouton Source permet de choisir entre Bluetooth et AUX.

Pour déconnecter un périphérique Bluetooth, appuyez deux fois sur ce bouton.

8. Lumières

Appuyez sur ce bouton pour définir le comportement des lumières sur la face avant. Consultez la section [Modes lumineux](#) pour plus de détails.

Remarque : pour obtenir les meilleurs effets lumineux possibles, il peut être nécessaire d'ajuster le volume du périphérique ou le volume Source.

9. ÉGALISEUR

Appuyez sur ce bouton pour choisir parmi les différents préréglages d'égalisation :

- **Outdoor** : fréquences hautes et basses augmentées.
- **Indoor** : légère augmentation des basses et hautes fréquences plates.
- **Vocal** : basses atténuées et les médiums augmentés.
- **Flat** : une réponse en fréquence plate (l'égalisation peut être modifiée et envoyée depuis l'application).

10. Charge USB/Port de lecture

Utilisez ce port pour charger un périphérique doté d'une prise USB, comme une tablette ou un smartphone. Pour recharger un périphérique qui stream de la musique en Bluetooth, mettez la musique en pause, puis attendez qu'il se reconnecte une fois le câble USB branché.

C'est ici que vous devez brancher votre support USB pour lire de la musique. Utilisez la molette de volume SOURCE pour régler le volume. Appuyez sur le bouton **Stereo-Link^{MC}/Répétition** pour choisir l'une des cinq options de répétition ou lecture aléatoire. Consultez la section [Mode USB](#) pour plus de détails.

Remarque : Votre support USB ne doit pas faire plus de 512 Go et doit contenir des fichiers MP3 files pour que ses données s'affichent correctement à l'écran. Lorsque vous branchez un support USB contenant des fichiers MP3, le Total PA^{MC} Apex organisera les fichiers alphabétiquement par dossier à la racine, puis selon le titre des fichiers.

11. Volume du micro sans fil MIC 1

Utilisez cette molette pour régler le volume du micro sans fil inclus. Consultez la section [Utilisation du micro sans fil](#) pour plus de détails sur la mise en marche du micro.

12. Volume MIC 2

Cette molette permet de régler le volume du micro ou de la source de niveau micro branchée sur les entrées MIC 2.

Astuce : pour bien équilibrer les volumes du MIC 1, du MIC 2 et d'autres sources, consultez la section [Équilibrage des niveaux](#).

13. Entrées MIC 2 (6,35 mm / 1/4" et XLR)

Utilisez ces entrées pour brancher un micro ou une source de niveau micro.

14. Volume source

Permet de régler le volume des périphériques connectés aux **entrées AUX** ou par **Bluetooth**.

15. Entrées AUX (3,5 mm / 1/8" et XLR)

Branchez un lecteur CD, un lecteur MP3 ou une autre source audio à ces entrées de niveau ligne.

16. Sortie mixage (XLR)

Reliez cette sortie à un haut-parleur, un mixeur ou un enregistreur. Le son produit par le haut-parleur (y compris l'effet d'écho, mais pas les réglages de volume et d'égalisation) sera transmis à l'appareil branché.

17. LED de saturation

Cette lumière rouge clignotera lorsque le signal des entrées ou de la source indiquée sur l'écran sature (distorsion causée par un signal trop fort). Si cela se produit, diminuez le **volume principal** ou celui de **l'entrée AUX ou MIC** (si un périphérique trop fort y est branché).

18. Interrupteur d'alimentation

Utilisez cet interrupteur pour allumer ou éteindre le haut-parleur.

Remarque : si aucun signal n'est envoyé par une source (y compris l'entrée micro) pendant 20 minutes, le haut-parleur se mettra en mode Économie d'énergie. Dans ce mode, l'écran s'éteindra. Après 50 minutes d'inactivité, le haut-parleur se mettra en veille, et vous devrez l'éteindre puis le rallumer pour pouvoir l'utiliser à nouveau. Le haut-parleur reprendra un fonctionnement normal lorsqu'une entrée recevra un signal.

19. Prise électrique (IEC)

Branchez le câble électrique inclus ici pour alimenter l'appareil.

UTILISATION

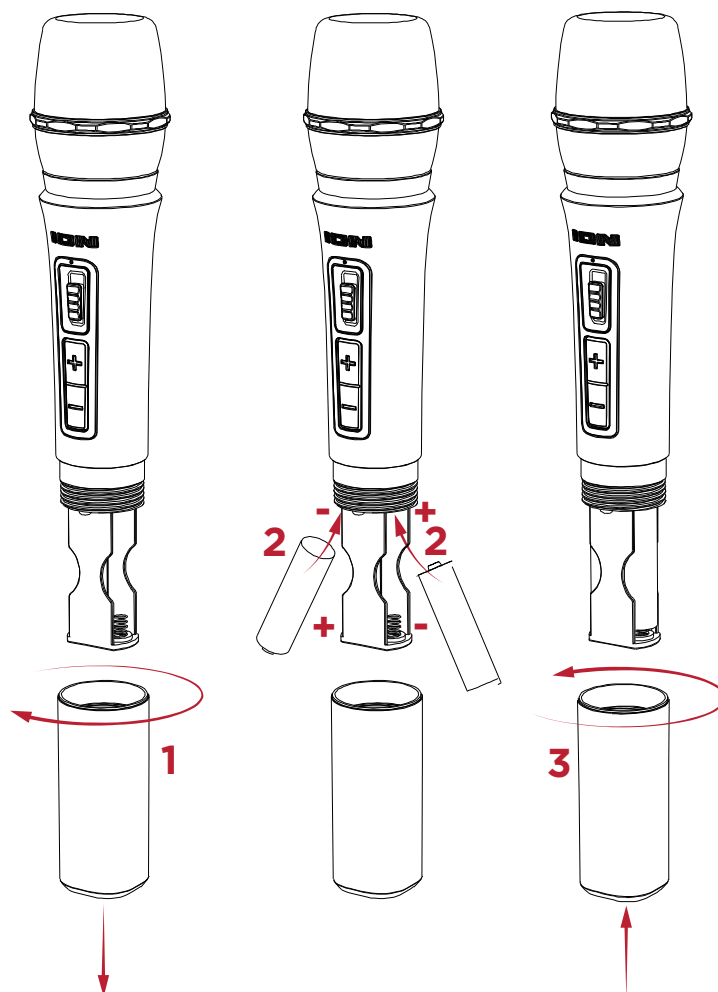
Changement des piles

Suivez les instructions suivantes pour obtenir les meilleurs résultats possibles lors du changement des piles du micro sans fil :

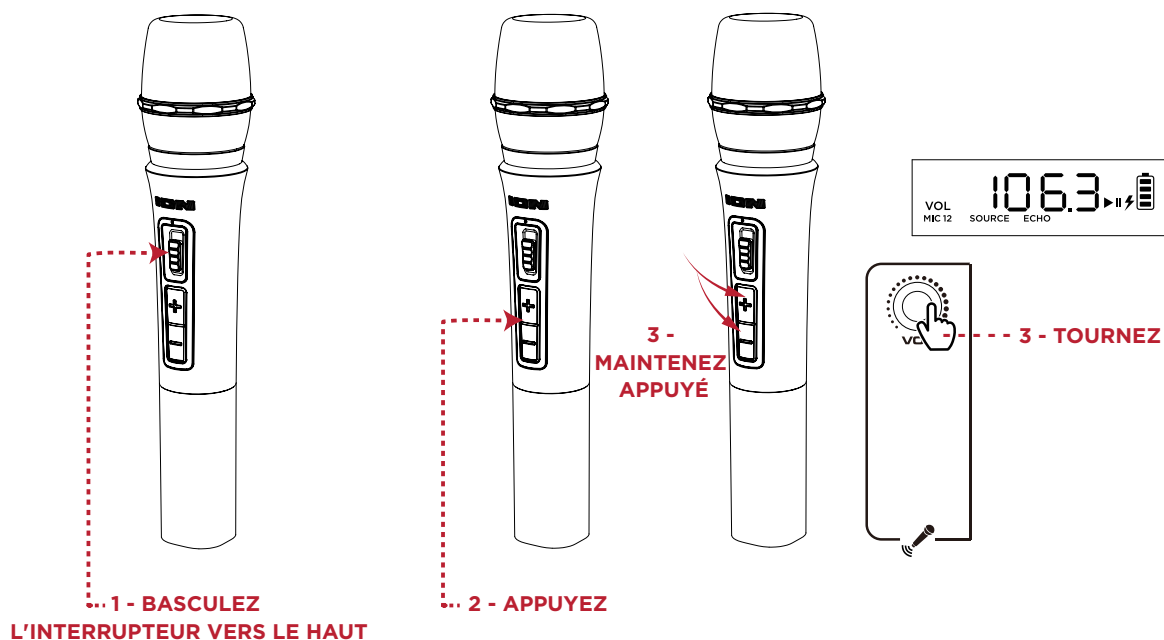
- Avant d'insérer les piles, nettoyez les contacts des piles et ceux du compartiment à piles du micro sans fil.
- Changez les deux piles en même temps.
- Retirez les piles du micro sans fil s'il va rester inutilisé pendant une longue période.
- Retirez sans attendre les piles vides.

Installation des piles dans le micro sans fil

1. Dévissez le cache du compartiment à piles.
2. Insérez deux piles alcalines AA neuves (non incluses) dans le sens indiqué.
3. Revissez le cache du compartiment.



Utilisation du micro sans fil



1. Allumez le micro sans fil en basculant l'interrupteur vers le haut. Le voyant d'alimentation bleu clignote lorsqu'il se connecte au haut-parleur, et reste allumé lorsqu'il est connecté.
2. Si le Total PA^{MC} Apex est allumé, le micro devrait s'y connecter automatiquement. Si ce n'est pas le cas, maintenez les boutons + et - appuyés pendant trois secondes pour réinitialiser la connexion.
3. Réglez le volume du micro en utilisant les boutons + et - du micro ou la **molette de volume MIC 1**. Si votre source audio est trop forte par rapport au micro, baissez le volume SOURCE ou augmentez le volume du micro.

Remarque : le micro sans fil ne peut être connecté qu'à un seul haut-parleur (le plus proche) en Stereo-Link^{MC}. Si vous utilisez deux haut-parleurs Total PA^{MC} Apex, vous devrez relier la sortie mixage du premier à l'entrée source en XLR du second.

Remarque : pour savoir comment équilibrer les niveaux de volume, consultez la section [Équilibrage des niveaux](#).

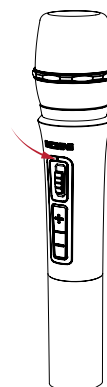
Remarque : un voyant bleu et rouge apparaîtra sur le micro sans fil lorsque le niveau des piles est faible, et il clignotera en rouge lorsqu'elles seront presque épuisées.

Voyant lumineux du micro sans fil :

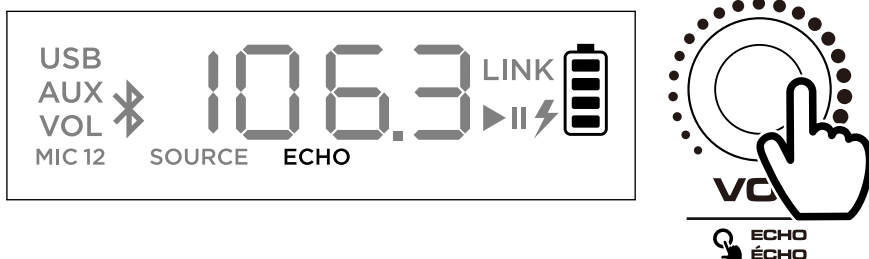
La **molette de volume principal** contrôle par défaut le volume principal de tous les canaux. Appuyez sur la molette pour activer ou désactiver l'effet d'écho, et faites-la tourner pour changer le réglage.

Si vous ne touchez pas la **molette de volume principal** pendant cinq secondes, l'affichage reviendra au volume principal.

Pour rétablir les paramètres d'origine du haut-parleur, maintenez la **molette de volume principal** enfoncée pendant cinq secondes. Le haut-parleur se rallumera, et la réinitialisation sera effectuée.



Utilisation de la molette de volume principal

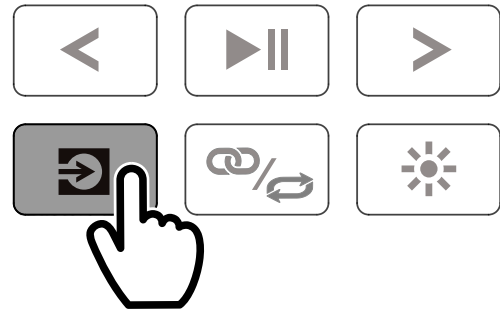


La **molette de volume principal** contrôle par défaut le volume principal de tous les canaux. Appuyez sur la molette pour activer ou désactiver l'effet d'écho, et faites-la tourner pour changer le réglage.

Si vous ne touchez pas la **molette de volume principal** pendant cinq secondes, l'affichage reviendra au volume principal.

Pour rétablir les paramètres d'origine du haut-parleur, maintenez la **molette de volume principal** enfoncée pendant cinq secondes. Le haut-parleur se rallumera, et la réinitialisation sera effectuée.

Appairage d'un appareil Bluetooth®



APPUYEZ

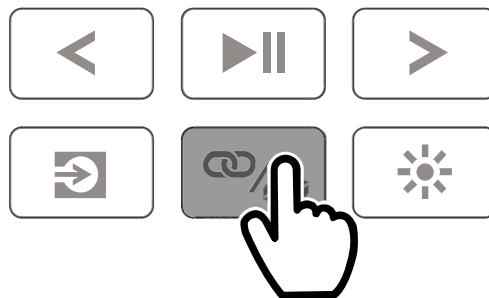
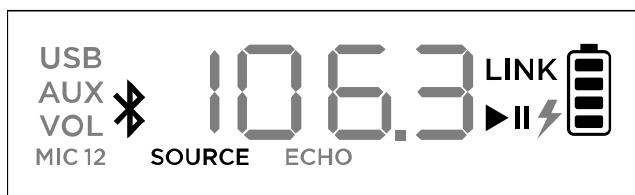
1. Allumez le Total PA^{MC} Apex en utilisant l'interrupteur d'alimentation.
2. Lorsque le haut-parleur est allumé, il est automatiquement en mode d'appairage Bluetooth. Appuyez si besoin sur le bouton **Source** afin de sélectionner le mode Bluetooth. Si les messages vocaux sont activés, vous entendrez « Bluetooth pairing ».
3. Ouvrez l'écran de configuration du Bluetooth sur votre appareil, trouvez le **Total PA Apex**, puis connectez-vous. Ne vous connectez pas à **iPA185A_BLE** ; celui-ci sert uniquement à la connexion avec l'application **ION Sound Control^{MC}**. Une fois la connexion établie, l'icône Bluetooth clignote à l'écran et vous entendez « Bluetooth Connected ».

Remarque : si vous rencontrez des difficultés à vous connecter, sélectionnez « Oublier cet appareil » sur votre appareil Bluetooth, puis essayez à nouveau de vous connecter.

Remarque : le volume du Total PA Apex^{MC} n'a aucun impact sur le volume de votre appareil Bluetooth. Pour bénéficier de la meilleure qualité sonore possible, réglez le volume de la source à 100 %, puis utilisez les commandes de volume source et principal pour ajuster le volume.

Pour vous déconnecter, appuyez deux fois sur le bouton **Source** du Total PA Apex^{MC}.

Relier deux haut-parleurs



APPUYEZ DEUX FOIS

1. Allumez les deux haut-parleurs Total PA^{MC} Apex en actionnant leur interrupteur d'alimentation. Vérifiez qu'ils sont bien en mode d'appairage Bluetooth et qu'ils ne sont pas connectés à un appareil.
2. Appuyez deux fois sur le bouton **Stereo-Link^{MC}/répétition** d'un des haut-parleurs (le haut-parleur principal qui contrôlera les deux), puis sur le bouton **Stereo-Link^{MC}/répétition** du deuxième afin d'entre en mode Stereo-Link^{MC}. Lorsque le lien a été établi, le mot LINK s'affiche sur l'écran des deux haut-parleurs.
3. Connectez-vous au haut-parleur principal par Bluetooth.

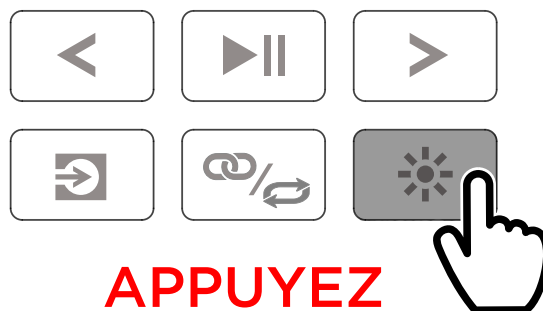
Pour vous déconnecter, appuyez deux fois sur le bouton **Stereo-Link^{MC}/répétition**.

Remarque : pour que la connexion soit bonne, les haut-parleurs doivent être à 26 m (85') au maximum l'un de l'autre.

Remarque : le micro sans fil ne peut être connecté qu'à un seul haut-parleur (le plus proche) en Stereo-Link^{MC}. Si vous utilisez deux haut-parleurs Total PA^{MC} Apex, vous devrez relier la **sortie mixage** du premier à l'**entrée source en XLR** du second.

Remarque : le Total PA^{MC} Apex n'est pas compatible avec les précédents modèles de haut-parleurs ION. Pour connecter un modèle plus ancien, vous devez utiliser un câble XLR (non inclus). Branchez le câble XLR à la sortie mixage du Total PA^{MC} Apex et au port XLR de l'ancien modèle.

Modes lumineux



Le Total PA^{MC} Apex est doté de deux lumières sur les côtés, six lumières de haut-parleur d'aigus et quatre lumières de haut-parleur de basses. Toutes les LED peuvent être contrôlées individuellement.

Lorsque le haut-parleur est allumé, une lumière rouge s'élève du bas vers le haut de l'appareil, utilisant toutes les LED. Après être restées allumées pendant deux secondes, les LED commencent à s'estomper.

Après cette animation de démarrage, toutes les LED clignotent lentement en bleu jusqu'à ce qu'un appareil Bluetooth soit connecté au haut-parleur. Une fois l'appairage effectué, toutes les LED clignotent en bleu deux fois, avant de revenir au mode lumineux sélectionné en dernier.

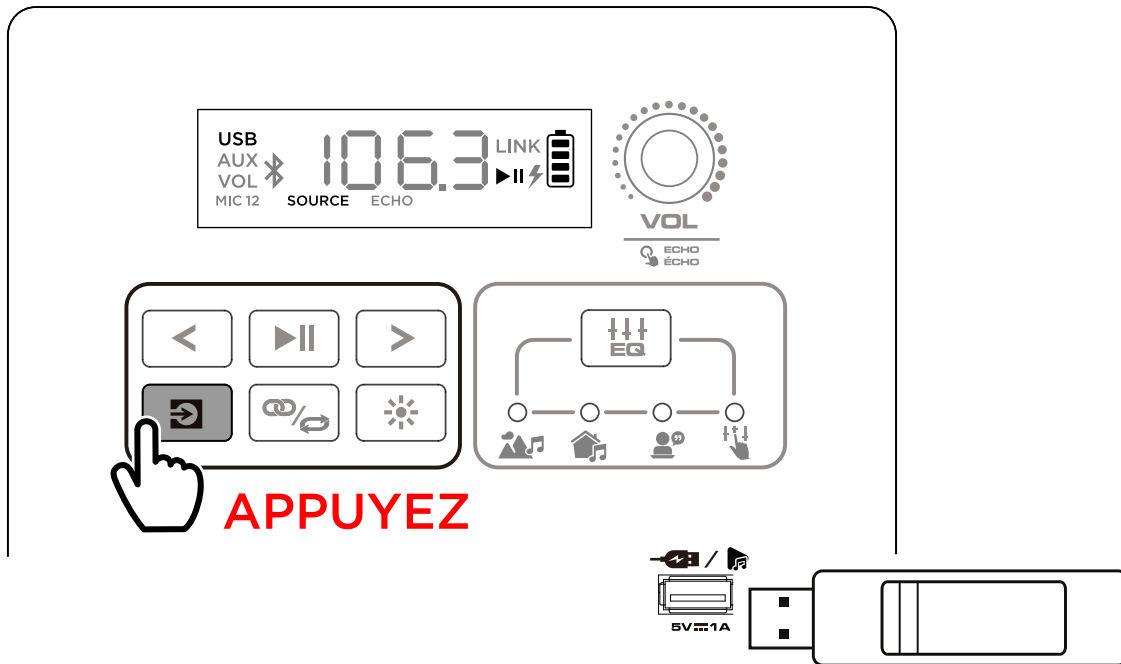
Appuyez sur le bouton **Lumières** pour choisir parmi les douze modes de LED du Total PA^{MC} Apex.

Remarque : pour obtenir les meilleurs effets lumineux possibles, il peut être nécessaire d'augmenter le volume de votre appareil connecté ou de la source d'entrée.

- **Arc-en-ciel mouvant - Synchronisé sur le rythme :** les couleurs de l'arc-en-ciel tournent dans le sens inverse des aiguilles d'une montre autour du haut-parleur. Plus la musique contient de fréquences basses, plus la lumière tourne vite.
- **Étoiles :** toutes les LED scintillent d'une couleur aléatoire. Plus la musique contient de fréquences basses, plus cet effet est rapide.
- **Feu de cheminée :** les lumières scintillent en rouge, jaune et orange, et les lumières des côtés montent et descendent. Le niveau du « feu » est déterminé par les fréquences basses de la musique.
- **Gouttes de pluie :** Des lumières colorées tombent des LED du haut-parleur d'aigus et des côtés. Lorsque les lumières atteignent les LED du bas, celles du haut-parleur de basses éclaboussent comme de l'eau avec la même couleur, se répétant de bord à bord. Quatre sources de gouttes de pluie tombent en même temps.
- **Fondu :** les lumières du haut-parleur de basses et du haut-parleur d'aigus se fondent de droite à gauche, et les lumières des côtés se fondent de haut en bas.

- **Étoiles rebondissantes** : des lumières s'écoulent sur les côtés. Lorsqu'elles se rejoignent au milieu de la partie inférieure du haut-parleur, elles rebondissent vers le haut en prenant la couleur suivante du spectre avant de retomber. Les lumières du haut-parleur de basses palpitent dans la nouvelle couleur lorsque les lumières rebondissent au centre, se répétant en suivant les couleurs du spectre.
- **Vagues horizontales - Synchronisé sur le rythme** : trois vagues d'une couleur passent et, après s'être déplacées du coin supérieur gauche au coin inférieur droit, de nouvelles vagues de la couleur suivante apparaissent. Les vagues s'accélèrent ou ralentissent en fonction des fréquences basses de la musique.
- **Synchronisé sur le rythme** : toutes les LED montent et descendent en fonction des fréquences basses de la musique. La couleur passera par tout le spectre.
- **Cycle bicolore** : un côté des LED (dont deux du haut-parleur d'aigus et une de la lumière latérale) affiche une couleur tandis que l'autre côté affiche avec une couleur voisine du spectre.
- **Cycle de couleurs** : toutes les LED gardent la même couleur tout en parcourant le spectre.
- **Couleur fixe** : toutes les LED restent de la même couleur (celle-ci peut être définie dans l'application ION Sound Control^{MC}). La couleur par défaut est le bleu. Vous pouvez choisir parmi quinze couleurs dans l'application ION Sound Control^{MC}.
- **Aléatoire** : les LED passent par tous les modes lumineux de façon aléatoire (à part Couleur fixe) en changeant toutes les dix secondes.
- **Éteint** : toutes les LED s'éteignent.

Mode USB



Lorsqu'un support USB contenant des fichiers compatibles est inséré dans le port **USB de charge/lecture**, le Total PA^{MC} Apex passe automatiquement en mode USB. Si le support USB est déjà inséré et que vous utilisez actuellement un autre mode, appuyez sur le bouton **Source** jusqu'à ce que le mode USB soit sélectionné. Le Total PA^{MC} Apex lira automatiquement le premier fichier MP3 compatible. Les fichiers sont lus dans l'ordre alphabétique à la racine, puis alphabétiquement par dossier, puis alphabétiquement par piste. La lecture prend fin une fois que tous les fichiers du support USB ont été lus. Maintenez appuyé le bouton **Suivant** ou **Précédent** pour avancer ou reculer dans une piste.

Remarque : le support USB doit contenir des fichiers MP3 compatibles pour qu'elle apparaisse à l'écran.

Appuyez sur le bouton **Répétition** pour choisir parmi les options de répétition (des abréviations seront affichées à l'écran) :

- Lire en boucle la piste actuelle du support USB (**OnE**). C'est le mode par défaut à l'allumage.
- Lire les pistes dans un ordre aléatoire (**rAn**).
- Lire en boucle toutes les pistes du support USB (**ALL**).
- Lire en boucle les pistes du dossier actuel (**FOLd**). Le dossier utilisé est basé sur la piste en cours de lecture au moment de l'activation. Par exemple, lorsqu'une piste à la racine du support est en cours de lecture, l'activation de **FOLd** ne répétera que les pistes de la racine. Si la piste est dans le dossier A, seules les pistes du dossier A seront répétées.

Application de commande

IMPORTANT : pour garantir la meilleure utilisation possible de l'application, veuillez utiliser la version la plus récente d'Android ou d'iOS sur votre appareil.

Suivez les étapes suivantes pour télécharger l'application gratuite sur votre appareil :

1. Ouvrez l'App Store d'Apple ou Google Play sur votre appareil, puis cherchez l'application **ION Sound Control^{MC}**.
2. Suivez les instructions à l'écran pour télécharger et installer l'application. Une fois téléchargée, l'application **ION Sound Control^{MC}** apparaîtra sur l'écran d'accueil de votre appareil.
3. Connectez votre appareil au Total PA^{MC} Apex par Bluetooth. Consultez la section **Appairage d'un appareil Bluetooth[®]** pour découvrir comment faire.
4. Lancez l'application ION Sound Control^{MC}. Si nécessaire, accordez à l'application le droit d'accéder aux services Bluetooth et de localisation de votre appareil.
5. Appuyez sur l'icône **Total PA^{MC} Apex** pour passer à l'écran suivant, où vous pouvez utiliser l'application pour contrôler plusieurs fonctions du haut-parleur :
 - **Volume principal** : réglez le volume du haut-parleur principal.
 - **Sélection de source** : choisissez la source à utiliser (Bluetooth, USB ou AUX).
 - **Volume de source** : réglez le volume entrant pour les sources Bluetooth, USB et AUX.
 - **Volume Mic 1** : réglez le volume du micro sans fil.
 - **Volume Mic 2** : réglez le volume des entrées des micros 6,35 mm (1/4") et XLR.
 - **EQ** : réglez l'égalisation du haut-parleur.
 - **Écho du micro** : activez ou désactivez l'effet d'écho du micro.
 - **Messages vocaux** : activez ou désactivez les messages vocaux.
 - **Assistance** : allez sur ionaudio.com pour contacter l'assistance technique et consulter les informations de garantie et les questions fréquentes.
 - **Effet lumineux** : choisissez l'effet lumineux.
 - **Mises à jour du micrologiciel** : restez à jour grâce à l'installation du dernier micrologiciel.

RÉSOLUTION DES PROBLÈMES

Si le son est déformé : il peut être nécessaire d'ajuster le niveau de vos sources et du Total PA^{MC} Apex pour un mixage correct.

- i. Commencez par régler le volume de la source au maximum.
- ii. Ensuite, utilisez la molette de **volume de canal (VOL)** du Total PA^{MC} Apex pour atteindre un niveau approprié.
- iii. Enfin, réglez le **volume principal** à un niveau approprié.

Si le son est encore déformé, essayez de baisser le volume de la source, puis le **volume de canal (VOL)** du Total PA^{MC} Apex sur le canal en cours d'utilisation.

J'entends un bourdonnement quand des câbles sont branchés :

- Débranchez les câbles des prises d'entrée pour vérifier s'il s'agit d'un câble défectueux.
- Vérifiez que les câbles audio ne sont pas près de câbles électriques.
- Branchez les câbles électriques de tout l'équipement audio sur des prises qui partagent la même mise à la terre.

S'il y a trop de basses : essayez d'ajuster l'égalisation de la source ou sur le Total PA^{MC} Apex afin de diminuer le niveau de basses. Cela vous permettra de jouer la musique plus fort avant qu'elle ne sature (distorsion).

Que faire si le micro sans fil ne fonctionne pas ?

- Vérifiez qu'il contient des piles.
- Insérez deux piles AA neuves (non incluses) dans le sens indiqué. Si le Total PA^{MC} Apex est allumé, le micro devrait s'y connecter automatiquement. Si ce n'est pas le cas, maintenez appuyés les boutons + et - du micro pendant trois secondes pour réinitialiser la connexion.

Si vous entendez un sifflement aigu lors de l'utilisation d'un micro : c'est probablement un effet Larsen. Ne dirigez pas le micro vers le haut-parleur.

Si la musique est plus forte que le micro :

- i. Commencez par baisser le volume de la source en utilisant la molette de **volume de canal (VOL)** du Total PA^{MC} Apex.
- ii. Ensuite, vérifiez que le volume du micro est au maximum (le cas échéant), puis augmentez le **volume de canal (VOL)** correspondant sur le Total PA^{MC} Apex.

So vous n'arrivez pas à connecter votre appareil audio au Total PA^{MC} Apex par Bluetooth :

- Rapprochez autant que possible votre appareil (smartphone, tablette, etc.) du Total PA^{MC} Apex lors de la tentative de connexion. Vérifiez qu'il n'y a aucun obstacle entre l'appareil et le Total PA^{MC} Apex (murs, meubles, etc.).
- Réinitialisez la connexion Bluetooth sur le Total PA^{MC} Apex afin de le déconnecter de tous les autres appareils audio, puis relancez le processus de recherche. Si cela ne fonctionne pas immédiatement, éteignez le Total PA^{MC} Apex, puis rallumez-le. Consultez la section [Appairage d'un appareil Bluetooth® Device](#) pour plus de détails.
- Réinitialisez la connexion Bluetooth sur votre appareil audio en désactivant et réactivant le Bluetooth. Vous le trouverez dans le menu Bluetooth des paramètres de votre téléphone ou autre appareil audio.

Si cela ne fonctionne pas, mais que vous aviez déjà réussi à vous connecter au Total PA^{MC} Apex, trouvez le Total PA^{MC} Apex dans la liste des appareils disponibles ou connus dans le menu Bluetooth de votre appareil audio, appuyez sur l'icône d'engrenage ou l'icône « i » à côté, puis sélectionnez **Dissocier** ou **Oublier**. Éteignez puis rallumez le Total PA^{MC} Apex, puis réessayez de le connecter lorsqu'il apparaît dans la liste des appareils disponibles.

Remarque : si le Total PA^{MC} Apex a récemment été associé à un autre appareil audio qui est toujours à portée, il peut être nécessaire de répéter ce processus avec cet appareil audio pour que la déconnexion soit complète.

Si le son se coupe lors de la lecture depuis un appareil Bluetooth, cela peut être dû au fait que votre haut-parleur essaie de se connecter à un autre haut-parleur. Cela peut se produire lorsque vous éteignez un haut-parleur qui était connecté à votre haut-parleur, ou si vous venez d'allumer votre haut-parleur et qu'il est en mode Stereo-Link^{MC}. Pour mettre fin aux coupures, quitter le mode Stereo-Link^{MC} en appuyant deux fois sur le bouton **Stereo-Link^{MC}/répétition**. Sinon, vous pouvez attendre que votre haut-parleur se connecte à un autre haut-parleur, s'il y en a un à portée.

Spécifications techniques

Haut-parleurs	Basses fréquences : 305 mm / 12,0" Hautes fréquences : 25,4 mm / 1,0"
Réponse en fréquence	50 Hz - 20 kHz
Technologie sans fil	Bluetooth® - Audio Classique
Portée sans fil *	Portée* Bluetooth® : jusqu'à 30,5 m / 100 ft. Portée TWS : Up to 23 m / 75 ft.
Portée du micro sans fil*	30,5 m / 100 ft.
USB	Audio : lecture de musique depuis un support USB Système de fichiers : FAT32 Type de fichiers : MP3 Taille maximale des fichiers : 4 Go Capacité maximale du support USB : 512 Go
Batterie	Capacité de la batterie : 11,1 V, 6000 mAh Autonomie de la batterie : de six à huit heures (50% de volume, lumières éteintes) ** Temps de charge : jusqu'à cinq heures
Alimentation	Câble : IEC 320 C13 Entrée : 100-240 V CA, 50/60 Hz, 320 W Fusible : F5AL AC250V
Dimensions (largeur x profondeur x hauteur)	16,21" x 12,50" x 25,63" / 411,7 x 317,5 x 651 mm
Poids	13,2 kg / 29,15 lb

Les détails peuvent être modifiés sans préavis.

* La réception et la portée Bluetooth et sans fil peuvent être impactées par les murs, les obstructions et les mouvements. Pour des performances optimales, placez l'appareil au centre de la pièce de manière à ce qu'il ne soit pas bloqué par des murs, des meubles, etc.

** La durée de vie des piles peut varier en fonction de la température, de l'âge et de l'utilisation de l'appareil.

Marques et licences

ION Audio est une marque de inMusic Brands, Inc. déposée aux États-Unis et dans d'autres pays. App Store est une marque de Apple Inc. déposée aux États-Unis et dans d'autres pays.

Android et Google Play sont des marques déposées de Google Inc.

Le terme et les logos *Bluetooth* sont la propriété de Bluetooth SIG, Inc. et l'utilisation de ces marques par ION Audio est faite sous licence.

Tous les autres noms de produits, noms de sociétés, marques ou appellations commerciales appartiennent à leurs propriétaires respectifs.

Distributed by:
Costco Wholesale Corporation
P.O. Box 34535
Seattle, WA 98124-1535
USA
1-800-774-2678
www.costco.com

Costco Wholesale Canada Ltd.*
415 W. Hunt Club Road
Ottawa, Ontario
K2E 1C5, Canada
1-800-463-3783
www.costco.ca
* faisant affaire au Québec sous
le nom les Entrepôts Costco

Importado por:
Importadora Primex S.A. de C.V.
Blvd. Magnocentro No. 4
San Fernando La Herradura
Huixquilucan, Estado de México
C.P. 52765
RFC: IPR-930907-570
(55)-5246-5500
www.costco.com.mx

Costco Wholesale Australia Pty Ltd
17-21 Parramatta Road
Lidcombe NSW 2141
Australia
www.costco.com.au

Costco Wholesale UK Ltd/
Costco Online UK Ltd
Hartspring Lane
Watford, Herts
WD25 8JS
United Kingdom
01923 213113
www.costco.co.uk

Costco Wholesale Spain S.L.U.
Polígono Empresarial Los Gavilanes
C/ Agustín de Betancourt, 17
28906 Getafe (Madrid) España
NIF: B86509460
900 111 155
www.costco.es

Costco Wholesale Iceland ehf.
Kauptún 3-7, 210 Gardabaer
Iceland
www.costco.is

Costco France
1 avenue de Bréhat
91140 Villebon-sur-Yvette
France
01 80 45 01 10
www.costco.fr

Costco Wholesale Japan Ltd.
2 Kakuchi, 2 Gaiku, Kaneda-Nishi
361 Urakura, Kisarazu shi
Chiba, 292-0007 Japan
0570-200-800
www.costco.co.jp

Costco Wholesale Korea, Ltd.
40, Iljik-ro
Gwangmyeong-si
Gyeonggi-do, 14347, Korea
1899-9900
www.costco.co.kr

Costco Wholesale New Zealand Limited
2 Gunton Drive
Westgate Auckland 0814
New Zealand
www.costco.co.nz

Costco (China) Investment Co., Ltd.
Room 01 Mezzanine
No. 5178, Kang Xin Highway
Pudong New District
Shanghai
China 201315
+86-21-6257-7065

Costco Wholesale Sweden AB
Box 614
114 11 Stockholm
Sweden
www.costco.se

FABRIQUÉ EN CHINE

INNEHÅLLSFÖRTECKNING

INTRODUKTION	79
Förpackningens innehåll	79
Support.....	79
Laddning och batteriinformation	80
Snabbstart	80
Balansera dina nivåer	82
INSTALLATION	83
Installation av högtalarstativ.....	83
Anslutningsschema.....	84
FUNKTIONER.....	85
Bakpanel.....	85
DRIFT	89
Batterivård.....	89
Installera batterier i den trådlösa mikrofonen	89
Använda den trådlösa mikrofonen	90
Använda huvudvolymratten	91
Parkoppla en Bluetooth®-enhet	92
Länka två högtalare.....	93
Ljuseffekter.....	94
USB-läge.....	96
Appkontroll	97

FELSÖKNING.....	98
APPENDIX.....	100
Tekniska specifikationer.....	100
Varumärken och licenser.....	101

INTRODUKTION

Tack för att du har köpt Total PA™ Apex. Hos ION är din underhållning lika viktig för oss som den är för dig. Därför designar vi våra produkter med ett enda mål i åtanke – att göra ditt liv roligare och mer bekvämt.

Obs: Ladda batterierna helt innan du använder produkten för första gången. Enheten har medvetet skickats med en reducerad batteriladdning för att säkerställa säker transport. För optimal laddning, stäng av högtalaren medan den laddas. you first use the product, please fully charge the batteries. Your unit was purposely shipped with a reduced battery charge to ensure safe transit. For optimal charging, power off the speaker while charging.

Använd den medföljande strömkabeln för att ansluta enheten till ett eluttag och låt den ladda i upp till 5 timmar. Detta hjälper till att säkerställa längsta möjliga livslängd för batteriet.

Förpackningens innehåll

Total PA™ Apex

IEC320 C13 strömkabel (150 cm / 5 fot)

Trådlös mikrofon

Högtalarstativ

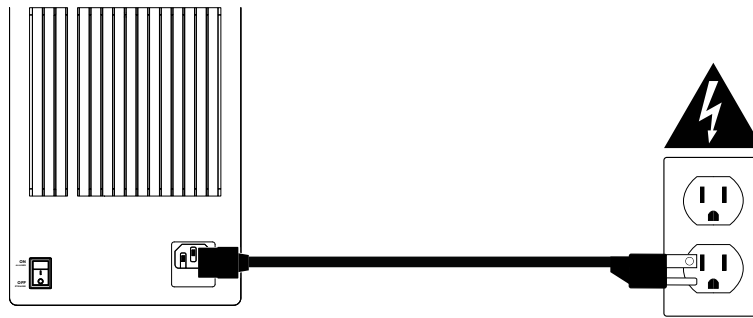
Snabbstartsguide

Support

För den senaste informationen om denna produkt (dokumentation, tekniska specifikationer, systemkrav, kompatibilitetsinformation, osv.) och produktregistrering, se ionaudio.com.

För ytterligare produktsupport, besök ionaudio.com/support.

Laddning och batteriinformation



För snabbast möjliga laddningstid, stäng av Total PA™ Apex och använd den medföljande strömkabeln för att ansluta högtalaren till ett eluttag. En full laddning kan ta upp till 5 timmar.

Blixtsymbolen på skärmen tänds när Total PA™ Apex är ansluten till en strömkälla och laddas. **Batterisymbolen** fylls för att visa batteriets livslängdsprocent. När laddningen är klar försvinner blixtsymbolen, och batterisymbolen är helt fylld.



Om inget ljud spelas genom Total PA™ Apex under 20 minuter går enheten in i standbyläge för att spara batteri. Detta kan innebära att Bluetooth-signalen är pausad, inget ljud kommer från en enhet ansluten till aux-porten, eller att volymen är inställd på 0. För att väcka enheten, återuppta helt enkelt ljudsignalen eller tryck på valfri knapp.

Allmän användning

Ladda batteriet helt innan du använder det.

Om möjligt, undvik att ladda ur batteriet helt. Litiumjonbatterier är underhållsfria, och batteriet håller längst när det används mellan 30 och 80 procents laddning.

Använd inte produkten medan batteriet laddas.

Ladda inte batteriet i extremt höga (över 32 °C /90 °F) eller extremt låga (under 32 °F/0 °C) temperaturer.

Förvaring

För bästa produktlivslängd, förvara inte produkten vid extremt höga (över 90 °F/32 °C) eller extremt låga (under 32 °C /90 °F) temperaturer.

För bästa produktlivslängd, förvara produkten med 50 % batteriladdning.

Om batterinivån är låg och du inte laddar det på 6 månader kan det permanent förlora kapacitet.

Reparation

Om batteriet inte går att ladda, kontakta ION Audio på ionaudio.com.

Kassering

Lämna enheten till en återvinningscentral eller kassera den i enlighet med lokala föreskrifter.

Snabbstart

1. Kontrollera att alla föremål som anges i *Förpackningens innehåll* finns med i förpackningen. Titta under skumarket i lådan för att hitta strömkabeln och mikrofonerna.
2. Studera *Anslutningsschemat*.
3. Kontrollera att alla ingångsenheter (såsom mikrofoner, CD-spelare eller digitala mediespelare) är avstängda och att deras volyminställningar är satta till "noll".
4. Anslut alla enheter enligt *Anslutningsschemat*.
5. Slå på allt i följande ordning:
 - a. Ljudingångsenheter (till exempel mikrofoner, instrument, CD-spelare)
 - b. Total PA™ Apex
6. Justera volymen på dina anslutna enheter. Ställ in ljudkällans (mikrofon, instrument, Bluetooth-enheter) volym på högsta nivå. Justera sedan **Source**-volymratten för den valda kanalen på Total PA Apex till en lämplig nivå. Slutligen, justera **huvudvolymen** på Total PA™ Apex till en lämplig nivå. För en detaljerad steg-för-steg-beskrivning för att ställa in dina nivåer, se avsnittet *Balansera dina nivåer* på nästa sida.
7. När du är klar med att använda Total PA™ Apex, stäng av allt i följande ordning:
 - a. Total PA™ Apex
 - b. Ljudingångsenheter

Balansera dina nivåer

Den här processen visar hur du snabbt kan balansera din mikrofonsignal och signalen från din källanhet (Bluetooth, Aux, USB). Nivåerna för mikrofonerna, källan och huvudvolymen kan ställas in mellan 0 och 30.

1. Slå på Total PA Apex och den trådlösa mikrofonen. Anslut din föredragna Bluetooth-, Aux- eller USB-enhet.
2. Använd **huvudvolymkontrollen** på högtalaren och ställ in volymen på cirka 10 eller lägre medan du balanserar dina nivåer. Detta gör att du kan ställa in nivåerna till en tydlig och hörbar nivå utan att de blir överväldigande. Du kan justera detta igen senare när en balans har uppnåtts.
3. Justera **Source-volymratten** till 0. Vi kommer att höja den i ett senare steg.
4. Ställ in **MIC 1-volymen** med hjälp av antingen +/- volymkontrollen på mikrofonen eller **MIC 1-volymratten** på högtalaren. Att ställa in nivån på 25 är en bra utgångspunkt om du är osäker. Om du använder en andra, trådbunden mikrofon, använd **MIC 2-volymratten** för att ställa in nivåerna på samma sätt tills båda mikrofonerna är tydligt hörbara.
5. Ställ nu in volymen på din Aux- eller Bluetooth-källanhet (telefon, surfplatta, osv.) till 100 %. Detta garanterar en stark signal.
6. Med **Source-volymratten** fortfarande inställd på 0, starta uppspelning på din enhet och vrid långsamt upp **Source-volymratten** på högtalaren tills den når en tydlig och hörbar nivå. Om du använder en mikrofon, ställ in källans volymnivå så att du fortfarande kan höra mikrofonen över musiken.
7. När mikrofonen och ljudkällan är tydligt hörbara och balanserade, använd **huvudvolymkontrollen** för att ställa in högtalarens ljudutgångsnivå till önskad volym.

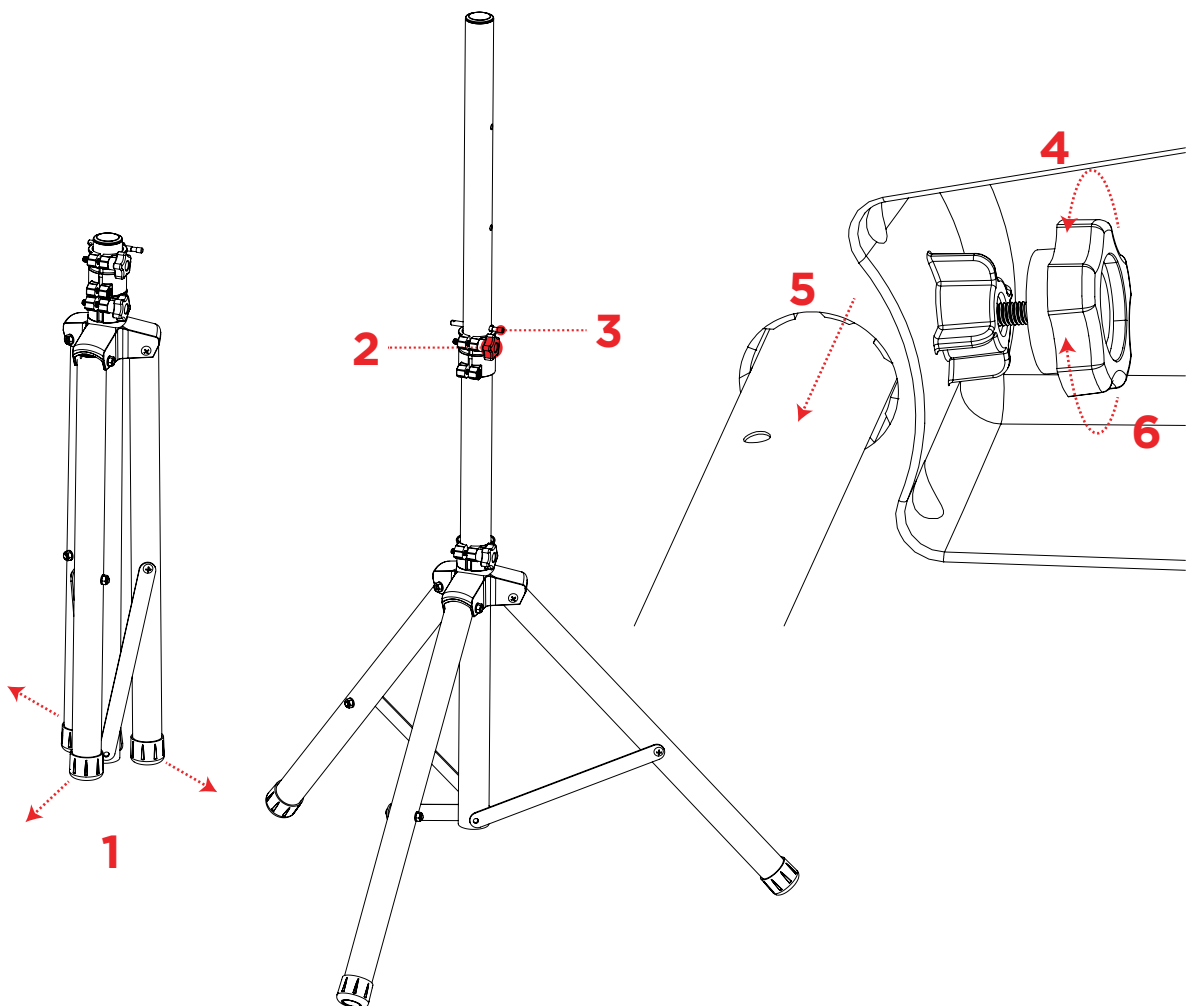


För specifika felsökningssteg, se avsnittet [Felsökning](#).

INSTALLATION

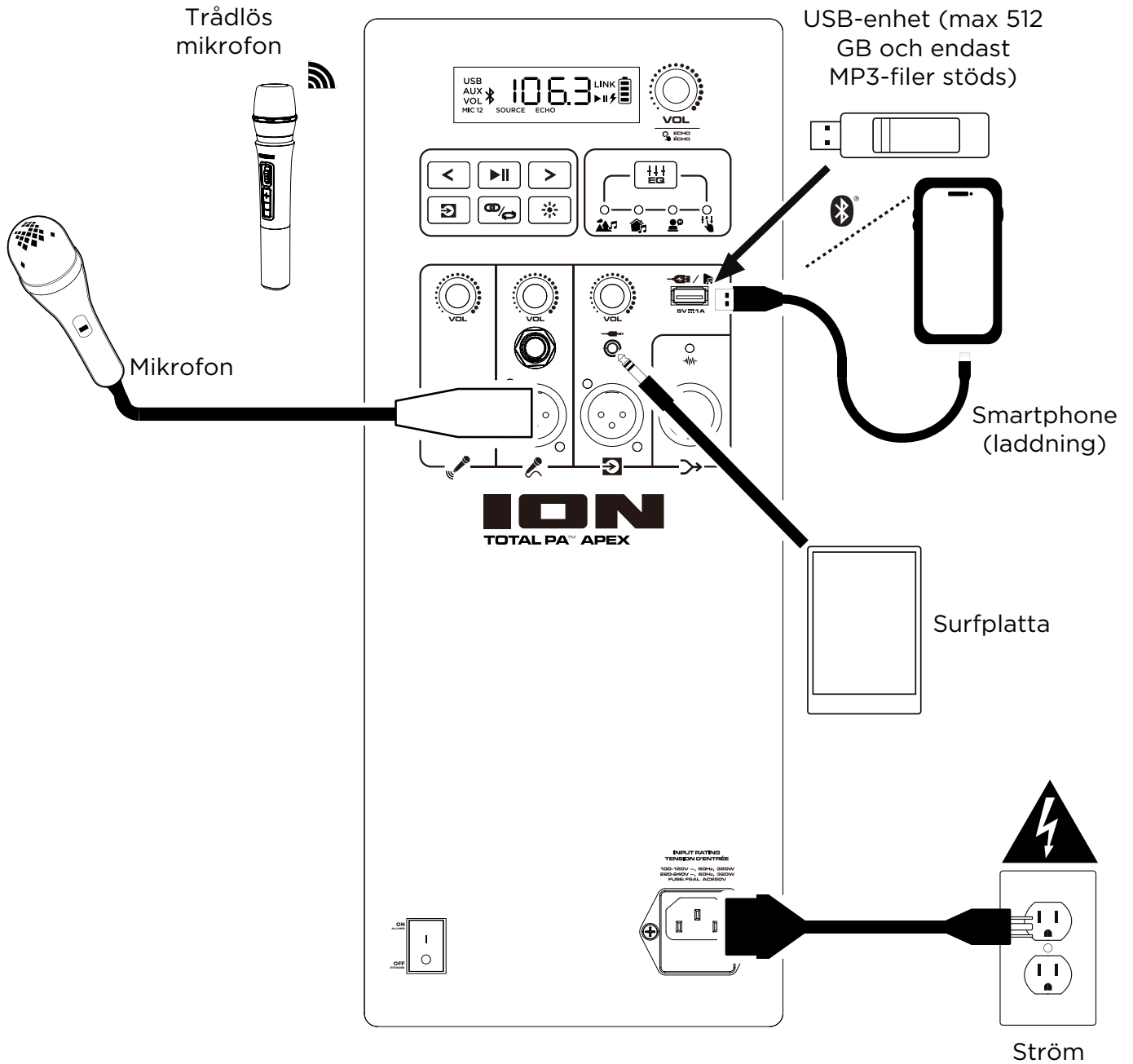
Installation av högtalarstativ

1. Fäll ut högtalarstativets tre ben helt på en plan och stabil yta.
2. Hög monteringsstången till önskad höjd och dra åt justeringsratten på sidan.
3. Sätt in sprinten i det nedre sprin hålet så att monteringsstången stannar på den inställda höjden.
4. På Total PA™ Apex, justera den nedre ratten moturs så att skruven inte blockerar öppningen.
5. Rikta in Total PA™ Apex monteringshål med högtalarstativets stång och placera den på stången.
6. Dra åt monteringsratten medurs på Total PA™ Apex för att säkra den på stången.



Anslutningsschema

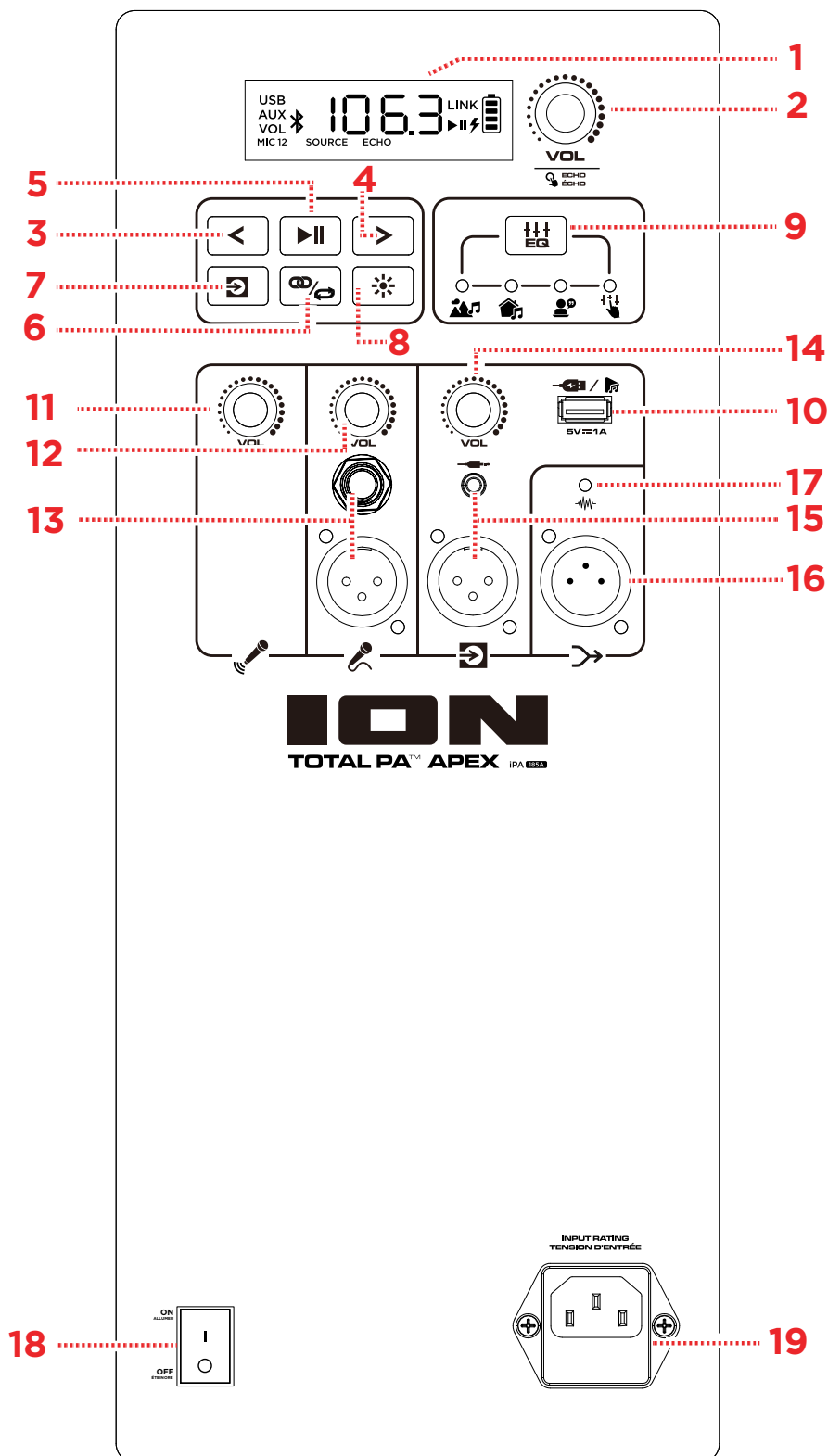
Produkter som inte anges under *Förpackningens innehåll* säljs separat.



FUNKTIONER

Bakpanel

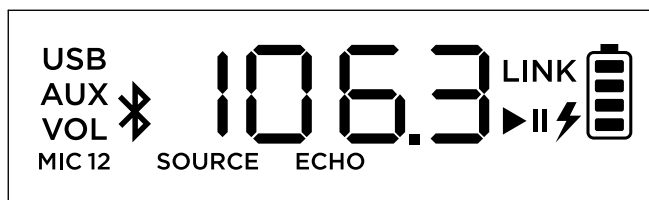
Klicka på en kontroll nedan för att hoppa till det avsnittet.



1. Skärm

Denna skärm visar information som är relevant för den aktuella funktionen i Total PA™ Apex.

Obs: Skärmen levereras med ett plastskydd. Ta bort detta för optimal visning.



2. Vol (Huvudvolym) / Echo-ratt

Vrid denna ratt för att justera högtalarens huvudvolym (ljudutgång). Tryck på ratten och vrid för att växla till att välja ekoeffekten. Se avsnittet [Använda huvudvolymratten](#) för mer information.

3. Föregående spår

När USB eller Bluetooth är vald som ljudkälla, tryck på denna knapp för att gå till föregående spår i spellistan. Tryck på knappen igen inom en sekund för att hoppa till föregående spår.

4. Nästa spår

När USB eller Bluetooth är vald som ljudkälla, tryck på denna knapp för att gå till nästa spår i spellistan.

5. Spela/Pausa

När USB är vald som ljudkälla, tryck på denna knapp för att spela/pausa det aktuella spåret. Dubbeltryck på denna knapp för att stoppa uppspelningen och återgå till början av spellistan.

När Bluetooth är vald som ljudkälla, tryck på denna knapp för att spela/pausa det aktuella spåret.

Håll ned denna knapp i tre sekunder för att slå på eller av röstmeddelanden.

6. Stereo-Link™ / Upprepa

Håll ned denna knapp för att starta stereo-länkning till en annan Total PA™ Apex. Se avsnittet [Länka två högtalare](#) för mer information.

I USB-läge, tryck på denna knapp för att upprepa ett enskilt spår, en mapp eller alla spår. Se avsnittet [USB-läge](#) för mer information.

7. Source Källa

Tryck på denna knapp för att välja vilken ljudkälla som ska användas: USB, AUX eller Bluetooth. Standardkällan när Total PA™ Apex startas är Bluetooth. USB-källan är endast valbar om en USB-enhet är ansluten till Total PA™ Apex; annars växlar knappen mellan Bluetooth och AUX.

För att koppla bort en ansluten Bluetooth-enhet, dubbeltryck på denna knapp.

8. Ljus

Tryck på denna knapp för att välja hur ljusen på frontpanelen ska fungera. Se avsnittet [Ljuseffekter](#) för mer information.

Obs: För bästa ljuseffekt kan du behöva justera volymen på din enhet och/eller källans volym.

9. EQ

Tryck på denna knapp för att växla mellan dessa EQ-förinställningar:

- **Utomhus:** förstärkt bas och höga frekvenser.
- **Inomhus:** lätt basförstärkning och jämna höga frekvenser.
- **Röst:** reducerad bas med förstärkt mellanregister.
- **Neutral:** en jämn frekvensrespons (anpassad EQ-inställning kan justeras och laddas upp från appen).

10. USB-laddnings-/uppspelningsport

Du kan använda denna port för att ladda en USB-enhet, såsom en surfplatta eller smartphone. För att ladda en enhet som strömmar musik via Bluetooth, pausa musiken först och vänta sedan på att den återansluter efter att USB-kabeln har anslutits.

Anslut ditt USB-minne här för att spela musik. Använd SOURCE-volymratten för att justera volymen. Tryck på **Stereo-Link™ / Upprepa**-knappen för att växla mellan de fem alternativen för upprepning/slumpvis uppspelning. Se avsnittet [USB-läge](#) för mer information.

Obs: Ditt USB-minne får inte vara större än 512 GB och det måste innehålla spelbara MP3-filer för att dess data ska visas korrekt i skärmen. När du ansluter ett USB-minne med MP3-filer kommer Total PA™ Apex att sortera filerna alfabetiskt efter mapp i rotkatalogen och därefter efter spårnamn i mappen.

11. MIC 1 Trådlös mikrofonvolym

Justera volymen för den medföljande trådlösa mikrofonen med denna ratt. Se avsnittet [Använda den trådlösa mikrofonen](#) för mer information om hur du ställer in och slår på mikrofonen.

12. MIC 2 Volym

Justera volymen för mikrofonen eller ljudkällan med mikrofonnivå som är ansluten till **MIC 2-ingångarna** med denna ratt.

TIPS: För tips om korrekt ljudnivåmixning för MIC 1, MIC 2 och andra ljudkällor, se avsnittet [Balansera dina nivåer](#).

13. MIC 2 Ingångar (6,35 mm / 1/4 tum & XLR)

Connect a microphone or mic-level source to these inputs.

14. Källans volym

Justera volymen på enheter som är anslutna till **Aux-ingångarna** eller en **Bluetooth**-källa.

15. Aux-ingångar (3,5 mm / 1/8 tum & XLR)

Anslut en CD-spelare, MP3-spelare eller annan ljudkälla till dessa linjenivåingångar.

16. Mix Out (XLR)

Anslut denna utgång till en högtalare, mixer eller inspelningsenhet. Allt ljud från högtalaren (inklusive ekoeffekten men exklusive volym- och EQ-justeringar) kommer att återges på den anslutna enheten.

17. Clip LED

The Clip LED-lampan blinkar rött om signalen från ingångsuttagen eller ljudkällan på **Media Panel** klipper (distorsion på grund av för hög signalnivå). Om detta inträffar, sänk **huvudvolymen** eller volymen för **Aux/Mic-ingången** (om en högljudd enhet är ansluten till någon av dem).

18. Strömbrytare

Vrid denna brytare för att slå på eller stänga av högtalaren.

Obs: Om ingen ingångssignal spelas från någon källa (inklusive mikrofoningången) under 20 minuter, kommer högtalaren att gå in i energisparläge. I energisparläge blir skärmen mörk. Efter 50 minuters inaktivitet går högtalaren in i viloläge, och du måste stänga av och slå på högtalaren igen för att väcka den. Högtalaren återgår till normal drift så snart en ingång tar emot en signal.

19. Strömkabelingång (IEC)

Anslut den medföljande strömkabeln här för att strömförsörja enheten.

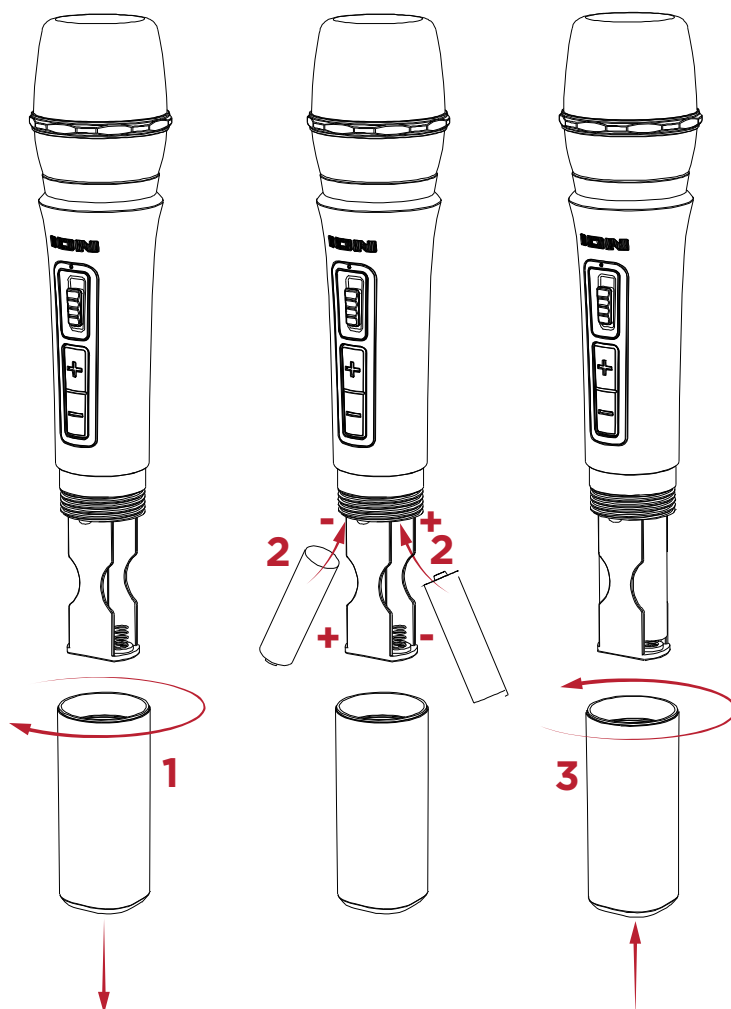
Batterivård

Följ instruktionerna nedan för bästa resultat vid byte av batterier i den trådlösa mikrofonen:

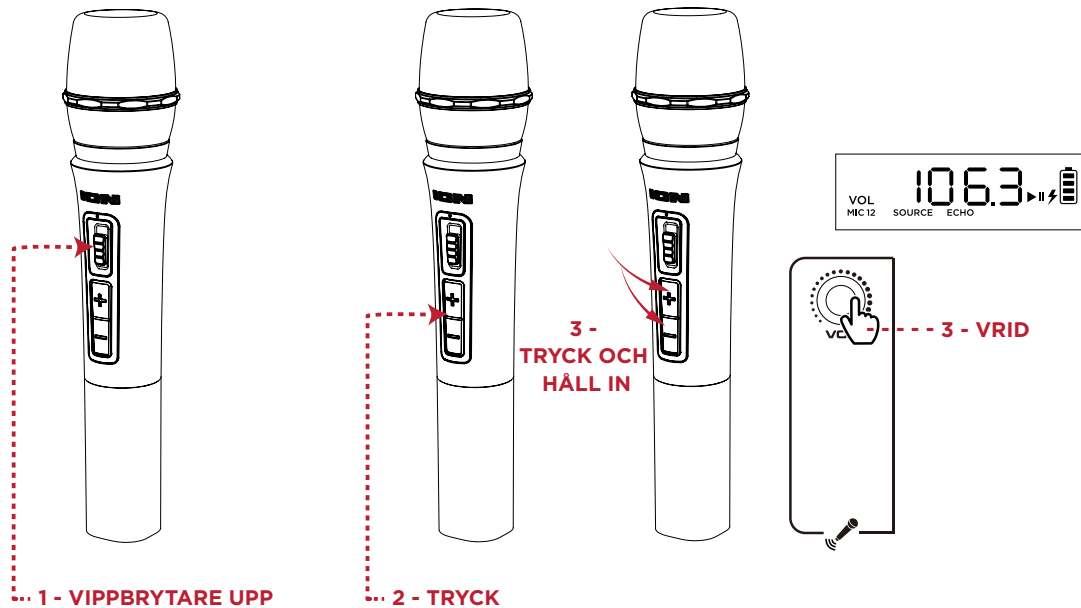
- Rengör batterikontakterna samt kontakterna i batterifacket på den trådlösa mikrofonen innan du installerar batterierna.
- Byt ut båda batterierna samtidigt.
- Ta ut batterierna ur den trådlösa mikrofonen om den inte ska användas under en längre tid.
- Avlägsna förbrukade batterier omedelbart.

Installera batterier i den trådlösa mikrofonen

1. Ta bort batterifackets lock genom att vrida det medurs.
2. Sätt i två nya AA-alkaliska batterier (medföljer ej) enligt den angivna riktningen i facket.
3. Sätt tillbaka batterilocket genom att vrida det moturs.



Använda den trådlösa mikrofonen



1. Slå på den trådlösa mikrofonen genom att skjuta mikrofonens på/av-vippbrytare uppåt. Strömindikators LED-lampa blinkar blått om den håller på att parkopplas med högtalaren och lyser med ett fast blått sken när den är ansluten till högtalaren.
2. Mikrofonen bör parkopplas automatiskt om Total PA™ Apex är påslagen. Om den inte gör det, tryck och håll in knapparna + och - samtidigt i tre sekunder för att återställa mikrofonens parkoppling.
3. Tryck på +/- kontrollerna på mikrofonen eller vrid på **MIC 1 Volym-ratten** för att justera mikrofonens ljudnivå. Om du inte kan höra mikrofonen över din ljudkälla kan du behöva sänka SOURCE-volymnivån eller höja mikrofonens volym.

Obs: Den trådlösa mikrofonen kommer endast att ansluta till en Stereo-Link™ högtalare (den närmaste högtalaren). Om du använder två Total PA™ Apex-högtalare måste du ansluta den första högtalarens **Mix Out** till den andra högtalarens **XLR Source-ingång**.

TIPS: För mer information om hur du balanserar dina volymnivåer, se avsnittet [Balansera dina nivåer](#).

Obs: En blå och röd indikator visas på den trådlösa mikrofonen när batteriets laddningsnivå är låg, och blinkar rött när batteriet nästan är tomt.

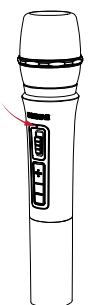
LED-indikator på trådlös mikrofon:

Långsamt blinkande blå LED: Den trådlösa mikrofonen är påslagen och inte i parkopplingsläge.

Snabbt blinkande blå LED: Den trådlösa mikrofonen försöker parkoppla med högtalaren.

Fast blå LED: Den trådlösa mikrofonen är parkopplad med högtalaren.

Snabbt blinkande röd LED: Detta indikerar att batterinivån är låg för den trådlösa mikrofonen.



Använda huvudvolymratten

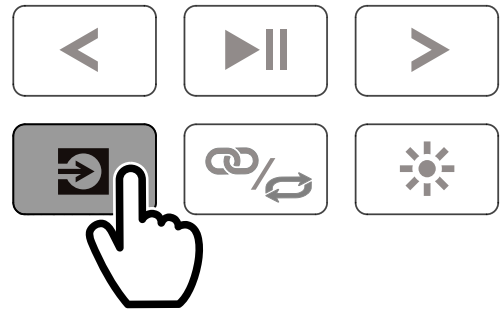


Huvudvolymratten är som standard inställd på att kontrollera huvudvolymen för alla kanaler. Tryck på ratten för att växla till ekofunktionen och vrid ratten för att ändra inställningen.

Om det inte sker någon aktivitet på **huvudvolymratten** under fem sekunder, återgår funktionen till huvudvolym.

För att återställa högtalaren till fabriksinställningarna, håll ned **huvudvolymratten** i fem sekunder. Högtalaren kommer att starta om, och återställningen kommer att slutföras.

Parkoppla en Bluetooth®-enhet



TRYCK

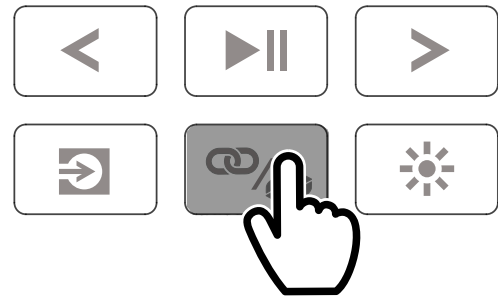
1. Slå på Total PA™ Apex med strömbrytaren.
2. När enheten slås på för första gången går den automatiskt in i Bluetooth-parningsläge. Om det behövs, tryck på Source-knappen för att välja Bluetooth-läge. Om röstmeddelanden är aktiverade hör du "Bluetooth Pairing."
3. Öppna Bluetooth-inställningarna på din enhet, hitta **Total PA Apex** och anslut. Anslut inte till **iPA185A_BLE**; detta är endast avsett för anslutning till **ION Sound Control™**-appen. När anslutningen är klar blinkar Bluetooth-ikonen på skärmen och du hör "Bluetooth Connected."

Obs: Om du har problem med att ansluta, välj "Glöm den här enheten" på din Bluetooth-enhet och försök att ansluta igen.

Obs: Volymen på Total PA™ Apex påverkar inte volymen på din Bluetooth-enhet. För bästa ljudkvalitet, ställ in volymen på din ingångskälla till 100 % och använd Source- och huvudvolymrattarna på högtalaren för att justera volymen.

För att koppla från, tryck två gånger på **Source**-knappen på Total PA™ Apex.

Länka två högtalare



DUBBELTRYCK

1. Slå på båda Total PA™ Apex-högtalarna med strömbrytarna. Se till att de är i Bluetooth-parningsläge och inte anslutna till någon enhet.
2. Dubbeltryck på **Stereo-Link™ / Upprepa**-knappen på en högtalare (den primära högtalaren som kommer att styra båda) och sedan på **Stereo-Link™ / Upprepa**-knappen på den sekundära högtalaren för att gå in i Stereo-Link™-läge. När en länk har upprättats kommer ordet LINK att visas på båda högtalarnas skärmar.
3. Anslut till den primära högtalaren via Bluetooth.

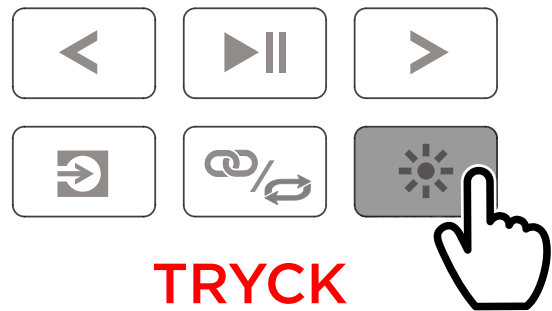
För att koppla bort, dubbeltryck på **Stereo-Link™ / Upprepa**-knappen.

Obs: Högtalarna bör vara inom 26 m (85 fot) från varandra för att länka korrekt.

Obs: Den trådlösa mikrofonen kommer endast att ansluta till en Stereo-Link™ högtalare (den närmaste högtalaren). Om du använder två Total PA™ Apex-högtalare måste du ansluta den första högtalarens **Mix Out** till den andra högtalarens **XLR Source-ingång**.

Obs: Total PA™ Apex är inte kompatibel med tidigare ION PA-modeller. För att länka till en tidigare modell måste du använda en XLR-kabel (medföljer ej). Anslut XLR-kabeln till MIX Out XLR-porten på Total PA™ Apex och till XLR In-porten på den tidigare modellen.

Ljuseffekter



Total PA™ Apex har två sidoljus, sex diskant-högtalarljus och fyra bashögtalarljus. Alla LED-lampor kan styras individuellt.

När högtalaren slås på för första gången, kommer ett rött ljus att röra sig från botten av högtalaren mot toppen och tända alla LED-lampor. När alla LED-lampor är tända, kommer ljuset att stanna kvar i två sekunder innan de tonas ut.

Efter ljuseffekten vid uppstart kommer alla LED-lampor att tona in och ut i blått tills en Bluetooth-enhet ansluts till högtalaren. När enheten är ihopkopplad, blinkar alla LED-lampor blått två gånger innan de återgår till det senast valda ljusläget.

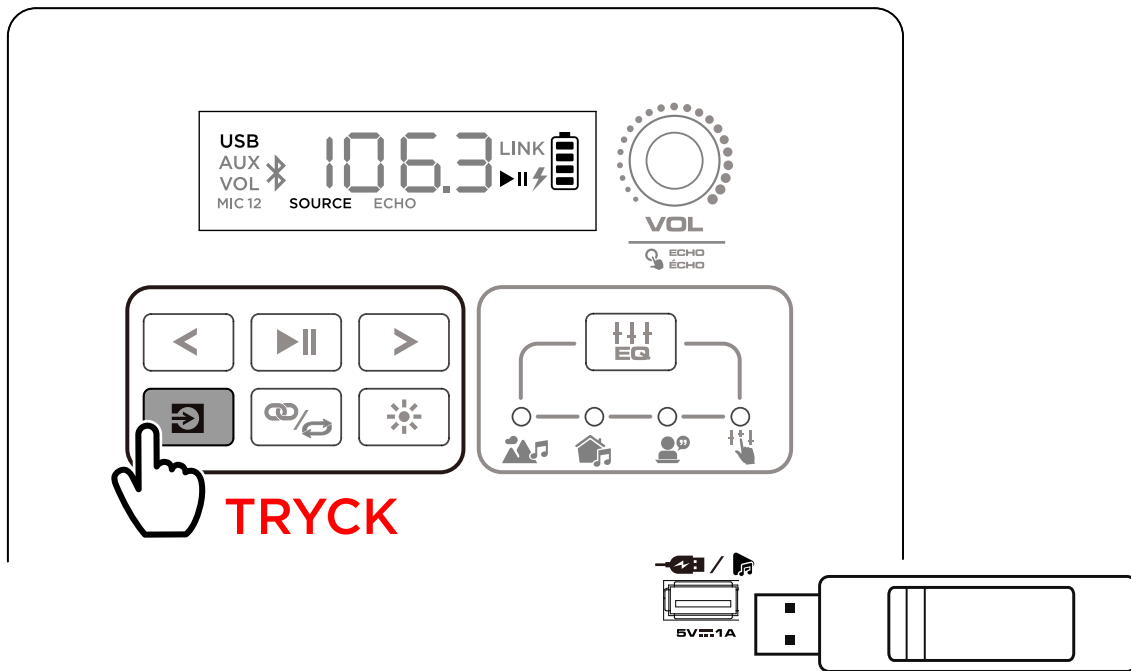
Tryck på **Ljus**-knappen för att växla mellan tolv olika lägen för LED-lamporna på Total PA™ Apex.

Obs: För bästa ljuseffekt kan du behöva öka volymen på din anslutna enhet eller ljudkälla.

- **Regnbågsjakt - Taktsynk:** En regnbåge av färger snurrar runt högtalarens LED-lampor moturs. Ju mer bas i musiken, desto snabbare snurrar regnbågsmönstret.
- **Stjärnljus:** Alla LED-lampor blinkar i en slumpmässig färg och tonas sedan långsamt ut. Ju mer bas i musiken, desto snabbare blinkar ljuset.
- **Eldstad:** Ljuset fladdrar i rött, gult och orange, och sidoljuset rör sig upp och ner. Intensiteten i "elden" anpassas efter hur mycket bas det är i musiken.
- **Regndroppar:** Diskant- och sidoljuset låter en färg falla från toppen till botten. När färgen når botten-LED-lampan, "stänker" bashögtalarens ljus som vattenstänk i samma regndroppsfärg. Effekten upprepas växelvis från sida till sida. Fyra regndropsstrimmor faller samtidigt.
- **Övertoning:** Ljuset från bashögtalarna och diskant-högtalarna tonas in och ut från vänster till höger, medan sidoljuset tonas in och ut i en vertikal rörelse.
- **Studsande stjärnor:** Ljusstrimmorna rör sig nedåt längs sidorna. När de möts i den nedre mitten av högtalaren studsar de tillbaka upp till toppen i nästa färg i spektrumet och rör sig sedan nedåt igen. Bashögtalarljuset pulserar i den nya färgen när ljusstrimmorna studsar i mitten, och detta upprepas genom färgspektrumet.

- **Horisontella vågor – Taktsynk:** Tre vågor i en färg passerar, och när de har rört sig från övre vänstra sidan till nedre högra sidan, dyker nya vågor upp i nästa färg. Våghastigheten ökar eller minskar beroende på mängden bas i musiken.
- **Taktsynk:** Alla LED-lampor rör sig upp och ner i hastighet baserat på basnivån i musiken. Färgen skiftar genom färgspektrumet.
- **Tvåfärgscykel:** LED-lamporna på ena sidan (inklusive två från diskantljuset och en från sido-LED-ljuset) visar en färg, medan lamporna på den andra sidan lyser i en närliggande färg.
- **Färgcykel:** Alla LED-lampor håller samma färg medan de växlar genom färgspektrumet.
- **Statisk färg-läge:** Alla LED-lampor förblir i samma färg (färgen kan justeras via ION Sound Control™-appen). Som standard är färgen blå. Det finns 15 färger som kan väljas från ION Sound Control™-appen.
- **Slumpmässigt läge:** LED-lamporna växlar slumpmässigt mellan alla ljuslägen (förutom Static Color) och ändras var tionde sekund.
- **Av-läge:** Alla LED-lampor är avstängda.

USB-läge



När ett USB-minne med kompatibla filer sätts in i **USB-laddnings-/uppspelningsporten**, växlar Total PA™ Apex automatiskt till USB-läge. Om USB-minnet redan är isatt och du använder ett annat läge, tryck på **Source**-knappen tills USB-läget är valt. Total PA™ Apex spelar automatiskt upp den första kompatibla MP3-filen. Filer spelas upp i alfabetisk ordning på rot-nivån, därefter alfabetiskt efter mapp och sedan alfabetiskt efter spårnamn. Uppspelningen av media stoppas när allt innehåll på USB-minnet har spelats upp. Håll knapparna **Nästa** och **Föregående** intryckta för att spola framåt eller bakåt i låten.

Obs: USB-minnet måste innehålla spelbara MP3-filer för att det ska visas på mediepanelens skärm.

Tryck på **Repeat**-knappen för att växla mellan alternativen för upprepning och slumpmässig uppspelning (förkortningar visas på skärmen):

- Spela det aktuella USB-spåret på repeat (**OnE**). Detta är standardläget vid uppstart.
- Spela spåren i slumpmässig ordning (**rAn**).
- Spela alla spår på USB-minnet på repeat (**ALL**).
- Spela den aktuella mappens spårlista på repeat (**FOLd**). Mappen som används baseras på vilken låt som spelas när funktionen aktiveras. Till exempel, om en låt som spelas finns på rot-nivån, kommer valet av **FOLd** att endast upprepa låtar på rot-nivån. Om en låt finns i mapp "A", kommer endast låtar i mapp "A" att upprepas.

Appkontroll

VIKTIGT: För att säkerställa bästa möjliga upplevelse med appen, använd den senaste versionen av Android OS eller iOS på din enhet.

Följ dessa steg för att ladda ner den kostnadsfria appen till din enhet:

1. Öppna Apple App Store eller Google Play på din enhet. Sök sedan efter appen **ION Sound Control™**.
2. Följ instruktionerna på skärmen för att ladda ner och installera appen. När nedladdningen är klar kommer **ION Sound Control™**-ikonen att visas på din enhets hemskärm. Följ instruktionerna på skärmen för att ladda ner och installera appen.
3. Anslut din enhet till Total PA™ Apex via Bluetooth. Se avsnittet [Parkoppla en Bluetooth®-enhet](#) för att lära dig hur du gör detta.
4. Öppna appen ION Sound Control™. Om du blir ombedd, tillåt appen att få åtkomst till din enhets Bluetooth och platstjänster.
5. Välj ikonen för **Total PA™ Apex** för att gå vidare till nästa skärm, där du kan använda appen för att styra olika funktioner på högtalaren, såsom:
 - **Huvudvolym:** Justera högtalarens huvudutgångsvolym.
 - **Källval:** Välj vilken källa som ska användas: Bluetooth, USB eller Aux.
 - **Källans volym:** Justera inkommande volym för Bluetooth-, USB- och Aux-källor.
 - **Mic 1-volym:** Justera volymen för den trådlösa mikrofonen.
 - **Mic 2-volym:** Justera volymen för 6,35 mm / 1/4 tum- och XLR-mikrofoningångarna.
 - **EQ:** Justera högtalarens equalizer.
 - **Mikrofoneko:** Slå på/av mikrofonekoeffekten.
 - **Röstmeddelanden:** Aktivera eller inaktivera röstmeddelanden.
 - **Support:** Besök ionaudio.com, kontakta teknisk support och se garantinformation samt vanliga frågor.
 - **Ljuseffekt:** Välj ljuseffekt.
 - **Firmware-uppdateringar via trådlös anslutning:** Håll din enhet uppdaterad med senaste firmware.

FELSÖKNING

Om ljudet är förvrängt: Du kan behöva justera nivåerna på dina ljudkällor och Total PA™ Apex för att få en korrekt mixning.

- i. Börja med att höja volymen på din ljudkälla till max.
- ii. Justera sedan **volymratten (VOL)** för den valda kanalen på Total PA™ Apex till en lämplig nivå.
- iii. Slutligen, justera **huvudvolymen** till en lämplig nivå.

Om ljudet fortfarande är förvrängt, prova att sänka volymen på din ljudkälla och därefter sänka **volymratten (VOL)** för den aktuella kanalen på Total PA™ Apex.

Jag hör ett brummande ljud när kablar är anslutna:

- Koppla bort kablarna från ingångsuttaget för att kontrollera om det är en defekt kabel.
- Se till att signalkablarna inte ligger nära strömkablar.
- Anslut alla ljudutrustningens strömkablar till uttag som delar en gemensam jord.

Om det är för mycket bas: Prova att justera EQ-kontrollen på din ljudkälla eller på Total PA™ Apex för att sänka basnivån. Detta gör att du kan spela musiken starkare innan klippning (förvrängning) uppstår.

Vad gör jag om den trådlösa mikrofonen inte fungerar?

- Kontrollera att batterierna är korrekt installerade.
- Sätt i två nya AA-batterier (medföljer ej) enligt den angivna orienteringen i batterifacket. Mikrofonen bör paras automatiskt om Total PA Apex är påslagen. Om den inte gör det, håll ned + och - knapparna på mikrofonen i 3 sekunder för att återställa mikrofonens parkoppling.

Om det uppstår ett högfrekvent visslande ljud när mikrofoner används: Detta är troligen rundgång. Rikta mikrofonen bort från högtalaren.

Om du inte kan höra mikrofonen över musikvolymen:

- i. Börja med att sänka volymen från din ljudkälla med hjälp av lämplig **volymratt (VOL)** för kanalen på Total PA™ Apex.
- ii. Kontrollera sedan att mikrofonens volym är inställd på max (om tillämpligt) och höj därefter **volymratten (VOL)** för den kanal på Total PA™ Apex där mikrofonen är ansluten.

Om du inte kan ansluta din ljudenhet till Total PA™ Apex via Bluetooth:

- Placera din ljudenhet (till exempel smartphone eller surfplatta) och Total PA™ Apex så nära varandra som möjligt när du försöker ansluta. Se till att både ljudenheten och Total PA™ Apex inte blockeras av väggar, möbler osv.
- Återställ Bluetooth-anslutningen på Total PA™ Apex för att koppla bort Total PA™ Apex från andra ljudenheter och starta om sökprocessen. Om detta inte fungerar direkt, stäng av Total PA™ Apex och slå sedan på den igen. Se avsnittet [Parkoppla en Bluetooth®-enhet](#) för mer information.
- Återställ Bluetooth-anslutningen på din ljudenhet genom att stänga av och slå på Bluetooth igen. Detta hittar du under Bluetooth-menyn i inställningarna för din telefon eller annan ljudenhet.

Om detta inte fungerar, och du tidigare har anslutit till Total PA™ Apex, leta upp Total PA™ Apex i listan över tillgängliga eller tidigare anslutna enheter i Bluetooth-menyn på din ljudenhet. Tryck på "kugghjulet" eller "i"-ikonen bredvid den och välj sedan **Koppla bort** eller **Glöm**. Stäng av och slå på Total PA™ Apex igen och försök para ihop den på nytt när den dyker upp i listan över tillgängliga enheter.

Obs: Om Total PA™ Apex nyligen har parats ihop med en annan ljudenhet som fortfarande är inom räckhåll kan du behöva upprepa denna process med den ljudenheten för att koppla bort den helt.

Om du upplever ljudavbrott när du spelar musik från en Bluetooth-enhet kan detta bero på att din enhet försöker ansluta till en annan högtalare. Detta kan inträffa om du stänger av en högtalare som var länkad till din enhet eller om du precis har slagit på din enhet och den är i Stereo-Link™-läge. För att stoppa ljudavbrotten, avsluta Stereo-Link™-läget genom att dubbeltrycka på knappen **Stereo-Link™ / Upprepa**. Alternativt kan du vänta tills din enhet länkar till en annan högtalare om det finns en inom räckhåll.

APPENDIX

Tekniska specifikationer

Högtalare	Lågfrekvens: 305 mm / 12,0 tum Högfrekvens: 25,4 mm / 1,0 tum
Frekvensomfång:	50 Hz - 20 kHz
Trådlös teknik	Bluetooth® - Klassiskt ljud
Trådlös räckvidd *	Räckvidd Bluetooth®: Upp till 30,5 m / 100 fot. Räckvidd TWS: Upp till 23 m / 75 fot.
Trådlös mikrofonräckvidd*	30,5 m/ 100 fot.
USB	Ljud: Musikuppspelning från USB-enhet Stödda filsystem: FAT32 Stödda filtyper: MP3 Maximal filstorlek: 4 GB Maximal USB-enhetsstorlek: 512 GB
Batteri	Batterikapacitet: 11,1 V, 6000 mAh Batteritid: 6-8 timmar (50 % volym, lampor avstängda) ** Laddningstid: Upp till 5 timmar
Ström	Kabel: IEC 320 C13 Nätspänning: 100-240 VAC, 50/60 Hz, 320 W Säkring: F5AL AC250V
Mått (bredd x djup x höjd)	411,7 x 317,5 x 651 mm / 16,21 x 12,50 x 25,63 tum
Vikt	13,2 kg / 29,15 pund.

Specifikationer kan ändras utan föregående meddelande.

* Bluetooth-och trådlös mottagning samt räckvidd påverkas av väggar, hinder och rörelse. För bästa prestanda, placera produkten i mitten av rummet så att den inte blockeras av väggar, möbler osv.

** Batteritiden kan variera beroende på temperatur, ålder och hur mycket produkten används.

Varumärken och licenser

ION Audio är ett varumärke som tillhör inMusic Brands, Inc., registrerat i USA och andra länder.

App Store är ett varumärke som tillhör Apple Inc., registrerat i USA och andra länder.

Android och Google Play är registrerade varumärken som tillhör Google Inc.

Egennamnet Bluetooth och Bluetooth-logotyperna ägs av Bluetooth SIG, Inc., och all användning av dessa märken av ION Audio sker under licens.

Alla andra produktnamn, företagsnamn, varumärken eller handelsnamn tillhör respektive ägare.

Distributed by:
Costco Wholesale Corporation
P.O. Box 34535
Seattle, WA 98124-1535
USA
1-800-774-2678
www.costco.com

Costco Wholesale Canada Ltd.*
415 W. Hunt Club Road
Ottawa, Ontario
K2E 1C5, Canada
1-800-463-3783
www.costco.ca
* faisant affaire au Québec sous
le nom les Entrepôts Costco

Importado por:
Importadora Primex S.A. de C.V.
Blvd. Magnocentro No. 4
San Fernando La Herradura
Huixquilucan, Estado de México
C.P. 52765
RFC: IPR-930907-570
(55)-5246-5500
www.costco.com.mx

Costco Wholesale Australia Pty Ltd
17-21 Parramatta Road
Lidcombe NSW 2141
Australia
www.costco.com.au

Costco Wholesale UK Ltd /
Costco Online UK Ltd
Hartspring Lane
Watford, Herts
WD25 8JS
United Kingdom
01923 213113
www.costco.co.uk

Costco Wholesale Spain S.L.U.
Polígono Empresarial Los Gavilanes
C/ Agustín de Betancourt, 17
28906 Getafe (Madrid) España
NIF: B86509460
900 111 155
www.costco.es

Costco Wholesale Iceland ehf.
Kauptún 3-7, 210 Gardabaer
Iceland
www.costco.is

Costco France
1 avenue de Bréhat
91140 Villebon-sur-Yvette
France
01 80 45 01 10
www.costco.fr

Costco Wholesale Japan Ltd.
2 Kakuchi, 2 Gaiku, Kaneda-Nishi
361 Urikura, Kisarazu shi
Chiba, 292-0007 Japan
0570-200-800
www.costco.co.jp

Costco Wholesale Korea, Ltd.
40, Iljik-ro
Gwangmyeong-si
Gyeonggi-do, 14347, Korea
1899-9900
www.costco.co.kr

Costco Wholesale New Zealand Limited
2 Gunton Drive
Westgate Auckland 0814
New Zealand
www.costco.co.nz

Costco (China) Investment Co., Ltd.
Room 01 Mezzanine
No. 5178, Kang Xin Highway
Pudong New District
Shanghai
China 201315
+86-21-6257-7065

Costco Wholesale Sweden AB
Box 614
114 11 Stockholm
Sweden
www.costco.se

TILLVERKAD I KINA



ionaudio.com