

ION

TOTAL PA PREMIER

iPA126

User Guide	English (3 – 10)
Guía del usuario	Español (11 – 18)
Guide d'utilisation	Français (19 – 26)
Appendix	English (27 – 28)

User Guide (English)

Introduction

Thank you for purchasing the Total PA Premier. At ION, your entertainment is as important to us as it is to you. That's why we design our products with one thing in mind—to make your life more fun and more convenient.

1. Make sure all items listed in the **Box Contents** are included in the box. Look in the box under the foam sheet for the speaker stand rubber feet, speaker stand mounting knob, power cable, and microphone.
2. **Read the Safety & Warranty Manual before using the product.**
3. Study the **Connection Diagram**.
4. Make sure all input devices such as microphones, CD players, or digital media players are turned off and volume settings are set at "zero."
5. Connect all devices as shown.
6. Switch everything on in the following order:
 - audio input sources (i.e. microphones, instruments, CD players)
 - Total PA Premier
7. When turning off, always reverse this operation:
 - Total PA Premier
 - any input devices

Box Contents

Total PA Premier

Microphone with Cable

Telescoping Speaker Stand

Remote Control

Power Cable (IEC)

Quickstart Guide / Safety & Warranty Manual

Support

For the latest information about this product (system requirements, compatibility information, etc.) and product registration, visit ionaudio.com.

For additional product support, visit ionaudio.com/support.

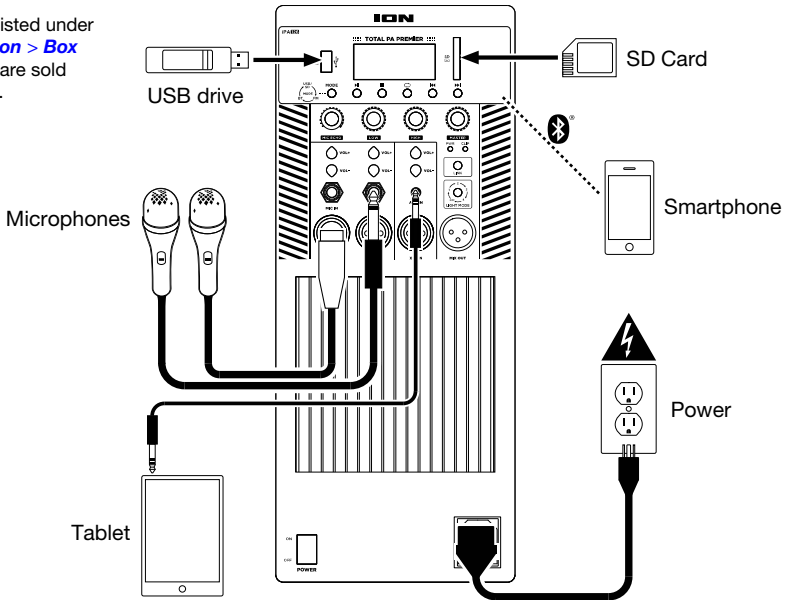


Caution: Do not expose Total PA Premier to rain or standing water.

Quick Setup

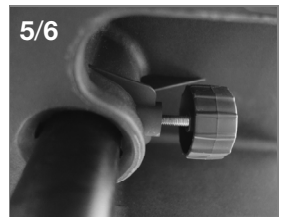
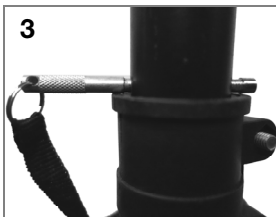
Connection Diagram

Items not listed under [Introduction > Box Contents](#) are sold separately.



Speaker Stand Installation

1. Fully extend the speaker stand tripod legs on a flat, stable surface. Look in the box contents under the foam sheet for the rubber feet and speaker stand mounting knob.
2. Raise the mounting pole up to the appropriate height needed and tighten the side adjustment knob.
3. Insert the pin into the bottom pin-hole so the mounting pole stays at your set height.
4. On Total PA Premier, adjust the bottom knob counter-clockwise so the screw is not blocking the opening.
5. Line up the Total PA Premier mounting hole with the speaker stand pole and place on the pole.
6. Tighten the mounting knob clockwise on Total PA Premier.



Features

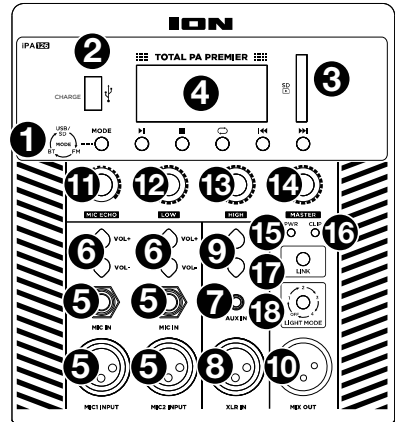
Rear Panel

- Media Panel:** Button controls for the USB/SD, FM radio, and Bluetooth audio sources. These controls include mode selection and playback options.

Note: A USB drive or SD card must contain playable files in order for it to appear properly in the media panel's display.

- USB Port:** Connect your USB flash drive here to play music. You can also use this port for charging a USB device.
- SD Card Slot:** Insert your SD card here to play music.
- Display:** Shows the **Media Panel** modes: USB/SD, FM radio, and Bluetooth. The icon for the currently selected mode will be illuminated on the **Display**.

Note: The **Display** comes with a plastic protector on it. Remove this for optimal viewing.



- Mic Inputs (1/4" / 6.35 mm & XLR):** Connect a dynamic microphone to the 1/4" (6.35 mm) or XLR inputs. Control the volume of the inputs using the **Mic Input Volume** knobs.
- Mic Input Volume Buttons:** Press these buttons to increase or decrease the volume of the respective input.
- Aux Input (1/8" / 3.5 mm):** Connect a CD player, digital media player, or other audio source to this 1/8" (3.5 mm) stereo auxiliary input. Control the volume using the **Aux Input Volume** knob.
- XLR Input (XLR):** Connect a line-level mixer or musical instrument to this XLR line-level input. Control the volume using the **Aux Input Volume** knob. Use this line-level input when linking together two Total PA Premier units.
- Aux Input Volume Buttons:** Press these buttons to increase or decrease the input volume of the **Aux Input** and **XLR Input**.
- Mix Out (XLR):** Connect this XLR output to another active (powered) speaker. The level of the output is controlled by the **Mic Input Volume Buttons**, **Aux Input Volume Buttons**, and **Master Volume**.
- Mic Echo:** Use this knob to increase or decrease the echo effect on the **Mic Inputs**.
- Low EQ:** Increases or decreases the low (bass) frequencies for **Mic Inputs**, **Aux Input**, and **Media Panel** audio sources at a range between -12 dB to +12 dB.
- High EQ:** Increases or decreases the high (treble) frequencies for the **Mic Inputs**, **Aux Input**, and **Media Panel** audio sources at a range between -12 dB to +12 dB.
- Master Volume:** Turn this knob to adjust the overall output volume of the loudspeaker.
- Power LED:** Indicates whether Total PA Premier is powered on or off.
- Clip LED:** This LED will flash red if the signal from the inputs or media panel source is clipping. If this happens, decrease the setting of the **Mic Input Volume** buttons, **Aux Input Volume** buttons, or **Master Volume** knob.
- Link Button:** Press this button to link your speaker to another Total PA Premier. See [Operation > Linking Two Speakers](#) for more information.

18. **Light Mode Button:** Press this button to toggle between five modes for the lights on the front panel:

- **Color Wheel:** The lights spin on and around the woofer.
- **Color Wheel Beat Sync:** The lights spin on and around the woofer according to the tempo of the music playing.
- **Color Cycle:** The lights steadily cycle through different colors.
- **Beat Sync:** The lights flash and change colors according to the tempo of the music playing.
- **Off:** The lights turn off.



19. **Power Cable Input (IEC):** Insert the included power cable here to power the unit.

20. **Fuse Holder:** If the unit's fuse is broken, remove the **Fuse Holder** and replace the broken fuse with one that has the correct rating (as indicated on the **Fuse Holder**). Using a fuse with an incorrect rating can damage the unit and/or fuse.

21. **Power Switch:** Turns Total PA Premier on or off.

Media Panel

Media Panel Functions:

MODE Mode: Switches the audio source between USB/SD, FM radio, and Bluetooth.

Note: A USB drive or SD card must contain playable files in order for its data to appear properly in the **Media panel's** display.

▶|| **Play/Pause:** When USB/SD or Bluetooth is selected as the audio source, plays/pauses audio. When FM radio is selected as the audio source, press and hold this button for 2 seconds to begin the preset auto-store function. This jumps to the lowest station (87.5) and then travels through the bandwidth to auto-store the strongest stations as presets.

Note: Files are played from the USB or SD source first by alphabetical order of what is on the root level, then alphabetical by folder, and then alphabetical by the track name.

↻ **Repeat:** Cycles through four options: repeat all of the tracks (**ALL**), repeat all of the tracks in the folder (**FOLD**), repeat the current playing USB or SD track (**ONE**), or shuffle the track order (**rAn**).

⏪ **Previous:** Plays the previous USB, SD, or Bluetooth track. When listening to the FM radio, press the button once to skip back through the FM stations and hold the button down to seek back through the channel presets.

⏩ **Next:** Plays the next USB, SD, or Bluetooth track. When listening to the FM radio, press the button once to tune the radio down one preset and hold the button down to seek forward through the channel presets.

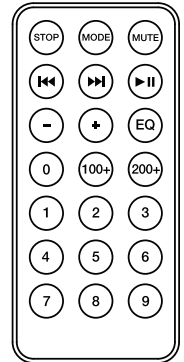
Note: In some apps, pressing the **Previous (⏪)** or **Next (⏩)** buttons may go to another playlist or music genre.

Media Panel Remote

Note: Aim the remote straight at the front of the speaker woofer. Room lighting and battery life can affect the operating range of the remote control.

Note: In order to use the remote control for the first time, first pull out the tab attached to the battery compartment. To change the remote battery, follow the diagram located on the back of the remote. Use a 3 V DC CR2032 lithium button cell battery for replacement.

1. **Stop:** Stops the media panel source from playing.
2. **Mode:** Selects the media panel source: USB, SD, FM radio, or Bluetooth.
3. **Mute:** Silences the music playback on media panel sources.
4. **Prev (◀◀):** Goes to the previous USB or SD card track. When listening to Bluetooth sources, pressing **Prev** in some apps may go to another playlist or music genre. When listening to the FM radio, press the **Prev** button once to skip back through the FM stations and hold the button down to seek back through the channel presets.
5. **Next (▶▶):** Advances to the next USB or SD card track. When listening to Bluetooth sources, pressing **Next** in some apps may go to another playlist or music genre. When listening to the FM radio, press the **Next** button once to tune the radio down one preset and hold the button down to seek forward through the channel presets.
6. **Play/Pause (▶||):** Plays or pauses the USB, SD, or Bluetooth media panel source. Press and hold **Play/Pause** for 2 seconds to begin the preset auto-store function. This jumps to the lowest station (87.5) and then travels through the FM band to auto-store the strongest stations as presets.



Note: Files are played from the USB or SD source first by alphabetical order of what is on the root level, then alphabetical by folder, and then alphabetical by the track name.

7. **Vol -:** Decreases the media panel source volume.
8. **Vol +:** Increases the media panel source volume.

Note: The remote volume only affects the media panel source and works together with the physical media panel volume knob on the unit's rear panel.

9. **EQ:** Selects one of the following digital EQ presets to use with a media panel source: Bass (**BAS**), Pop (**POP**), Rock (**rOC**), Jazz (**JA2**), Classical (**CLA**), Country (**COU**), No EQ (**OFF**, factory default setting).

Note: The digital EQ only works for Bluetooth, USB flash drive, and SD card sources.

10. **100+:** Jumps ahead by 100 tracks.
11. **200+:** Jumps ahead by 200 tracks.
12. **Number Keys:** Provides channel selection for FM radio stations, and track selection for USB and SD card sources.

Operation

Automatic Power Shut-Off

Total PA Premier is equipped with an automatic power shut-off to save energy in compliance with the energy efficiency regulations for compact audio products. Total PA Premier will enter an energy-saving mode after 20 minutes unless an audio signal at a moderate level is detected from the **XLR Input**, the **Aux Input**, the **USB/SD media player**, the **Radio**, or a **Bluetooth** connection. In energy-saving mode, the display and lights will turn off and audio playback will be disabled, but the unit will remain powered on in standby.

To resume normal operation, simply turn a knob or press a button on the unit or remote control.

To prevent automatic shut-off, an audio signal should remain active at a moderate volume level from the **XLR Input**, the **Aux Input**, the **USB/SD media player**, the **Radio**, or a **Bluetooth** connection. We recommend setting audio source (i.e., Aux Input or Bluetooth) volume at max and the Master Volume to **5 or higher** to prevent shut-off. To prevent automatic shut-off when using the microphone by itself, connect to the **XLR Input**, set the **Aux Input Volume** to max, and then adjust the **Master Volume** until the microphone is heard.

App Control

IMPORTANT: To ensure the best possible experience with the app, use the most current Android OS or iOS on your device.

Note: Ensure that your device has internet access via your service provider or wireless connection. You can also download the app on your computer, but remember to connect and sync your device to transfer the app.

Follow these steps to download the free app on your device:

1. Open the Apple App Store or Google Play on your device.
2. Search for the **ION Sound XP** app.
3. Follow the on-screen instructions to download and install the app.
4. Once downloaded, the **ION Sound XP** app will appear on your device's home screen.

Pairing a Bluetooth Device

1. Turn on your Bluetooth device.
2. Power on Total PA Premier.
3. Use the **Mode** button to select Bluetooth as the audio source, which appears as "bt" in the display. Total PA Premier will automatically go into pairing mode to search for Bluetooth devices. You will know you are in pairing mode when the Bluetooth icon is flashing. In addition, automatic voice prompts from the speaker will alert you of the device's status: **Bluetooth Pairing**, **Bluetooth Connected**, or **Bluetooth Disconnected**.
4. Navigate to your Bluetooth device's setup screen, find **Total PA Premier**, and connect. The **Bluetooth icon** will remain solidly lit.

Note: Users should consider updating their device's OS if experiencing trouble with pairing or playing music.

5. To disconnect pairing, turn off Bluetooth on your device or select **Forget this device** on your Bluetooth device's setup screen.

If you would like to disable (or enable) the voice prompts, press and hold the **Play/Pause** button on the **Media Panel**.

Note: Bluetooth must be selected as the audio source in order to disable (or enable) the voice prompts.

Linking Two Speakers

To wirelessly link two Total PA Premier speakers:

1. Power on both speakers using their **Power Switches**.
2. With no Bluetooth connected, press the **Mode** button on one Total PA Premier to select Bluetooth as the audio source, which appears as "bt" in the display. This will be the "secondary" speaker.
3. Press the **Link** button on a second Total PA Premier to enter Stereo Link Mode. This will be the "primary" speaker.
4. Wait up to 1 minute for the speakers to make the connection. Once the two speakers are linked, press the **Mode button** on the "primary" speaker to select the desired audio source.
5. To disconnect, double-press the **Link** button on the "primary" speaker.

To link two Total PA Premier speakers using cables:

1. With the **Power Switch** on each speaker turned to the off position, connect each speaker to a power outlet.
2. Plug an XLR cable into the **Mix Out** located on the rear panel of one Total PA Premier speaker. This speaker (the primary) is the one to which you will connect audio sources such as a Bluetooth device, microphone, or USB flash drive.
3. Plug the other end of the XLR cable into the **XLR Input** on the rear panel of your second Total PA Premier speaker. This second speaker will receive the audio from any devices connected to the first speaker (the primary).
4. Power on both speakers using their **Power Switches**.
5. Connect your audio sources to the first speaker (the primary).
6. Make sure that each speaker's **Master Volume** control is set to the same position.
7. With one of your audio sources playing, gradually turn up the **Aux Input Volume** on the second Total PA Premier speaker until the volume of this speaker matches the volume of the first speaker (the primary).

Troubleshooting

If the sound is distorted: Try lowering the volume control of your sound source, musical instrument, or microphone. Also, try to reduce the overall volume of Total PA Premier using the Master Volume knob.

If there is too much bass: Try adjusting the tone or EQ control on your sound source to lower the bass level. This will allow you to play the music louder before clipping (distortion) occurs.

If there is a high-pitched whistling noise when using a microphone: This is probably feedback. Point the microphone away from the speaker.

If you can't hear the microphone over the music volume: Turn down the music volume from your source.

When I press Previous (◀◀) or Next (▶▶), it doesn't increment to the next FM station: Short presses of the button will jump to presets. Hold the button down to **seek** to the next station.

If the radio station channel is flashing: The unit is currently muted. Unmute to stop the flashing and resume playback.

If the Bluetooth logo is flashing rapidly: The unit is currently in pairing mode.

If the Bluetooth logo is flashing slowly: A device is paired, but the music is muted. Unmute to stop the flashing and resume playback.

The USB track number (Example: 001) is flashing slowly: The USB drive music playback is muted. Unmute to stop the flashing and resume playback.

The LCD shows "NONE": If a USB drive or SD card is already properly inserted, make sure it contains playable files.

If you cannot connect your audio device to Total PA Premier via Bluetooth:

- Have your audio device (e.g., smartphone or tablet) and Total PA Premier as close together as possible while trying to connect. Make sure both the audio device and Total PA Premier are unobstructed by walls, furniture, etc.
- Reset the Bluetooth connection on Total PA Premier to disconnect Total PA Premier from any other audio device and restart the search process. If this does not work right away, power off Total PA Premier and then power it back on. See [Operation > Pairing a Bluetooth Device](#) for more information.
- Reset the Bluetooth connection on your audio device by turning Bluetooth off and back on. You can find this under the Bluetooth menu in the Settings for your phone or other audio device.

If this does not work, and you have connected to Total PA Premier before, find Total PA Premier in the list of available or previously connected devices in your audio device's Bluetooth menu, tap the "gear" or "i" icon located next to it and then select **Unpair** or **Forget**. Turn Total PA Premier off and back on and try pairing again once it reappears in your available devices list.

Note: If Total PA Premier has been paired to another audio device recently that is still within range, you may need to repeat this process with that audio device to fully disconnect.

Guía del usuario (Español)

Introducción

Gracias por comprar el Total PA Premier. En ION, su entretenimiento es tan importante para nosotros como para usted. Por eso es que diseñamos nuestros productos con una sola cosa en mente—hacer que su vida sea más divertida y cómoda.

1. Asegúrese de que todos los artículos indicados en **Contenido de la caja** estén incluidos en ella. Localice las el pies de goma del soporte del altavoz, perilla de montaje del soporte del altavoz, cable de alimentación y el micrófono en la caja bajo la hoja de espuma de poliestireno.
2. **Lea el folleto de instrucciones de seguridad antes de utilizar el producto.**
3. Estudie el **Diagrama de conexión**.
4. Asegúrese de que todos los dispositivos de entrada tales como micrófonos y reproductores de CD o reproductores de otros medios digitales estén apagados y con el control de volumen en “cero”.
5. Conecte todos los dispositivos como se muestra.
6. Encienda todo en el siguiente orden:
 - fuentes de entrada de audio (por ejemplo, micrófonos, instrumentos, reproductores de CD)
 - Total PA Premier
7. Al apagar, realice siempre esta operación en forma inversa:
 - Total PA Premier
 - cualquier otro dispositivo de entrada

Contenido de la caja

Total PA Premier

Micrófono con cable de micrófono

Soporte de altavoz telescópico

Control remote

Cable de corriente (IEC)

Guía de inicio rápido / Instrucciones de seguridad e información sobre la garantía

Soporte

Para obtener la información más reciente acerca de este producto (documentación, especificaciones técnicas, requisitos de sistema, información de compatibilidad, etc.) y registrarlo, visite ionaudio.com.

Para obtener soporte adicional del producto, visite ionaudio.com/support.

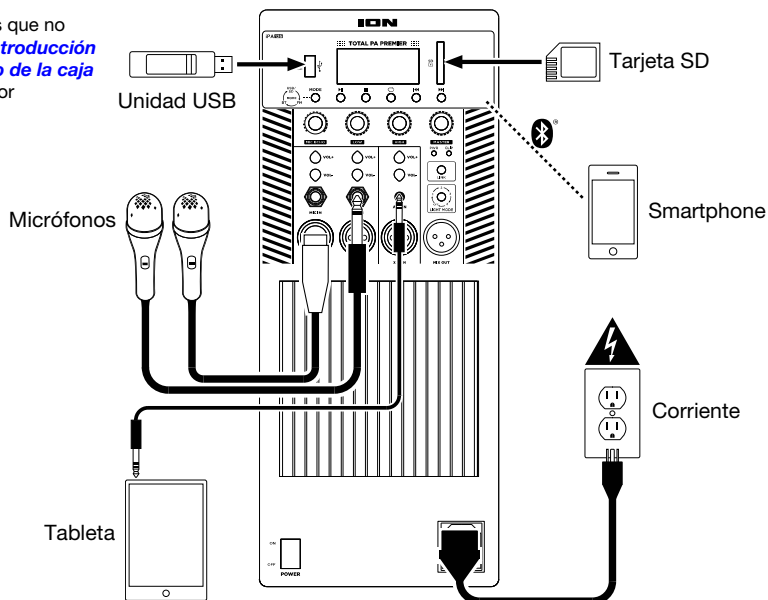


Precaución: No exponga el Total PA Premier a lluvia ni lo coloque en agua.

Configuración rápida

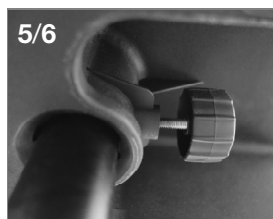
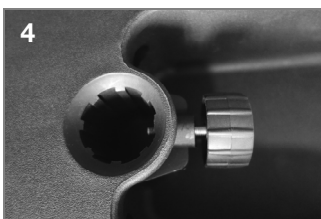
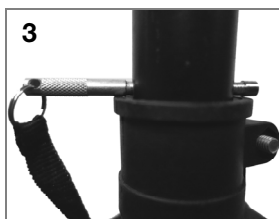
Diagrama de conexión

Los artículos que no figuran en [Introducción](#) > [Contenido de la caja](#) se venden por separado.



Instalación del soporte de altavoz

1. Extienda completamente las patas del trípode del soporte de altavoz sobre una superficie plana y estable. Localice las patas de goma y la perilla de montaje del soporte de altavoz en los contenidos de la caja bajo la hoja de espuma de poliestireno.
2. Extienda el poste de montaje hasta la altura necesaria y apriete la perilla de ajuste del costado.
3. Inserte la clavija en el orificio inferior de manera que el poste de montaje permanezca a la altura necesaria.
4. En el Total PA Premier, ajuste la perilla inferior en el sentido contrario a las agujas del reloj de manera tal que el tornillo no bloquee la apertura.
5. Alinee el orificio de montaje del Total PA Premier con el poste del soporte de altavoz y colóquelo en el poste.
6. Apriete la perilla de montaje en el Total PA Premier en el sentido de las agujas del reloj.



Características

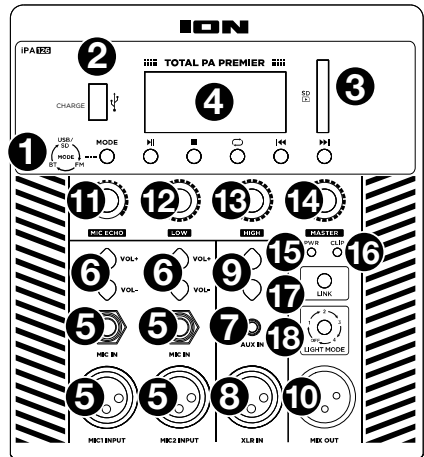
Panel trasero

- Panel de medios:** Controles para fuentes de USB/SD, radio FM, y Bluetooth. El símbolo de fuente del modo panel de medios se iluminará cuando se esté reproduciendo esa fuente.

Nota: Una unidad USB o tarjeta SD debe contener archivos reproducibles para poder visualizarse de manera correcta en la pantalla del panel de medios.

- Puerto USB:** Conecte su unidad flash USB para reproducir música. También puede usar este puerto para cargar un dispositivo USB.
- Ranura para tarjeta SD:** Inserte su tarjeta SD aquí.
- Pantalla:** Muestra los modos del panel de medios para USB/SD, radio FM, y Bluetooth. El icono para el modo seleccionado actualmente se iluminará en la pantalla.

Nota: La pantalla viene con un protector de plástico adherido. Quítelo para visualizar el LCD de manera óptima.



- Entradas micrófono (6,35 mm / 1/4 pulg. y XLR):** Conecte un micrófono dinámico a las entradas de XLR o 6,35 mm (1/4 pulg.). Controle el volumen de las entradas XLR y 6,35 mm (1/4 pulg.) mediante la perilla de **volumen de entradas micrófono**.
- Volumen de entradas micrófono:** Gire esta perilla para ajustar el volumen de las **entradas micrófono**.
- Entrada auxiliar (3,5 mm / 1/8 pulg.):** Conecte a esta entrada auxiliar estéreo de 3,5 mm (1/8 pulg.) un reproductor de CD, un reproductor de medios digitales u otra fuente de audio. Controle el volumen de la salida mediante la perilla de **volumen de entrada auxiliar**.
- Entrada línea (XLR):** Conecte un nivel de línea mezclador o instrumento musical a esta entrada XLR de nivel de línea. Controle el volumen de la salida mediante la perilla **volumen de entrada auxiliar**. Utilice esta entrada de nivel de línea para vincular dos unidades Total PA Premier entre sí.
- Volumen de entrada auxiliar:** Gire esta perilla para ajustar el volumen de la **entrada auxiliar**, la **entrada línea** y las **entradas RCA**.
- Salida de mezcla (XLR):** Conecte esta salida XLR a otro altavoz activo (alimentado). El nivel de esta salida se controla mediante el ajuste de **volumen de entradas micrófono**, **volumen de entrada auxiliar** y **volumen maestro**.
- Micrófono Eco:** Use esta perilla para agregar o quitar un efecto de eco a las **entradas de micrófono**.
- Ecualización de agudos:** Aumenta o disminuye las frecuencias altas (agudos) para las **entradas micrófono** y **línea** y las fuentes del **panel de medios** en un rango entre -12 dB y +12 dB.
- Ecualización de graves:** Aumenta o disminuye las frecuencias bajas (graves) para las **entradas micrófono** y **línea** y las fuentes del **panel de medios** en un rango entre -12 dB y +12 dB.
- Volumen maestro (Master Volume):** Gire esta perilla para ajustar el volumen de salida del altavoz Total PA Premier.
- LED de encendido:** Indica si el Total PA Premier está encendido o apagado.

16. **LED de recorte:** Este LED destella con luz roja si la señal de las entradas o de la entrada del panel de medios se está recortando. Si este ocurre, disminuya el ajuste de las perillas de **volumen de entradas micrófono, volumen de entrada auxiliar o volumen maestro.**



17. **Botón de enlace:** presione este botón para vincular su altavoz a otro Total PA Premier. Consulte [Funcionamiento > Enlace dos altavoces](#) para obtener más información.
18. **Botón de modo de luz:** Presione el botón **Modos de luz** para alternar entre cinco modos para las luces en el panel frontal:
- **Rueda de colores:** las luces giran sobre y alrededor del woofer.
 - **Rueda de colores con sincronizado con el ritmo:** las luces giran sobre y alrededor del woofer según del tempo de la música que se está reproduciendo.
 - **Ciclo de color:** Las luces cambian constantemente a través de diferentes colores.
 - **Sincronizado con el ritmo:** La luz parpadea y cambia de color en función del ritmo de la música que se reproduce.
 - **Off:** Las luces se apagan.
19. **Entrada del cable de corriente (IEC):** Inserte aquí el cable de corriente incluido para alimentar la unidad.
20. **Fusible:** Si el fusible de la unidad está roto, levante esta lengüeta para reemplazar el fusible. Reemplácelo por un fusible con especificación apropiada (impresa debajo de la entrada del cable de alimentación de la unidad). Si utiliza un fusible de especificación incorrecta, puede dañarse la unidad y/o el fusible.
21. **Interruptor de encendido/apagado:** Enciende y apaga el Total PA Premier.

Panel de medios

Funciones del panel de medios:

MODE **Modo:** Conmuta entre los modos USB, SD, radio FM, o Bluetooth.

Nota: Una unidad USB o tarjeta SD debe contener archivos reproducibles para poder visualizarse de manera correcta en la pantalla del panel de medios.

▶|| **Reproducir/Pausa:** Reproducir/hacer pausa en la fuente USB, SD o Bluetooth. Mantenga pulsado **reproducir/pausa** durante 2 segundos para iniciar la función de autoguardado del preset. Esto salta hasta la estación más baja (87,5) y avanza por la banda de FM para guardar las estaciones más fuertes como presets.

Nota: Los archivos se reproducen desde la fuente USB o SD primero alfabéticamente según el contenido de la raíz, luego alfabéticamente según la carpeta y luego alfabéticamente según el nombre de la pista.

↻ **Repetir:** Repetir todas las pistas (**ALL**), repetir todas las pistas en la carpeta (**FOLD**), repetir la pista USB o SD que está sonando actualmente (**OnE**) o entremezclar el orden de los temas (**rAn**).

◀◀ **Anterior:** Reproduce la pista de USB, SD o Bluetooth anterior. Cuando escucha radio FM, pulse el botón una vez para saltar por las estaciones de radio FM hacia atrás y mantenga este botón pulsado para recorrer los presets de canales hacia atrás.

▶▶ **Siguiente:** Reproduce la pista de USB, SD o Bluetooth siguiente. Cuando escucha radio FM, pulse el botón una vez para saltar por las estaciones de radio FM hacia adelante y mantenga este botón pulsado para recorrer los presets de canales hacia adelante.

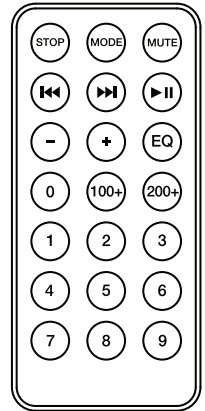
Nota: En algunas aplicaciones, pulsar los botones **Anterior (◀◀)** o **Siguiente (▶▶)** hará que vaya a otra lista de reproducción o género musical.

Control remoto del panel de medios

Nota: El símbolo de fuente del modo panel de medios se iluminará cuando se esté reproduciendo esa fuente. La iluminación de la sala y la vida útil de la pila pueden afectar al alcance operacional del control remoto.

Nota: A fin de usar el control remoto por primera vez, extraiga primero la lengüeta fijada al compartimiento de las pilas. Para cambiar la batería del control remoto, siga el diagrama ubicado en el reverso del mismo. Utilice una pila de celda tipo botón de litio CR2032 de 3 VDC como reemplazo.

1. **Detener:** Detiene la reproducción de la fuente del panel de medios.
2. **Modo:** Selecciona la fuente del panel de medios: USB, SD, Bluetooth o radio FM.
3. **Silenciar:** Silencia la reproducción de música de las fuentes del panel de medios.
4. **Anterior (◀◀):** Retrocede a la pista anterior del USB o tarjeta SD. Al escuchar de fuentes Bluetooth, pulsar **Anterior** en algunas aplicaciones puede hacer que vaya a otra lista de reproducción o género musical. Cuando escucha radio FM, pulse el botón **Anterior** una vez para saltar por las estaciones de radio FM hacia atrás y mantenga este botón pulsado para recorrer los presets de canales hacia atrás.
5. **Siguiente (▶▶):** Avanza a la pista siguiente del USB o tarjeta SD. Al escuchar de fuentes Bluetooth, pulsar **Siguiente** en algunas aplicaciones puede hacer que vaya a otra lista de reproducción o género musical. Cuando escucha radio FM, pulse el botón **Siguiente** una vez para saltar por las estaciones de radio FM hacia adelante y mantenga este botón pulsado para recorrer los presets de canales hacia adelante.
6. **Reproducción/Pausa (▶||):** Reproduce/hace pausa en la fuente de USB, SD o Bluetooth del Media Panel. Mantenga pulsado reproducir/pausa durante 2 segundos para iniciar la función de autoguardado del preset. Esto salta hasta la estación más baja (87,5) y avanza por la banda de FM para guardar las estaciones más fuertes como presets.



Nota: Los archivos se reproducen desde la fuente USB o SD primero alfabéticamente según el contenido de la raíz, luego alfabéticamente según la carpeta y luego alfabéticamente según el nombre de la pista.

7. **Volumen -:** Disminuye el volumen de la fuente del panel de medios.
8. **Volumen +:** Aumenta el volumen de la fuente del panel de medios.

Nota: El volumen del control remoto solo afecta la fuente del panel de medios y funciona junto con la perilla de volumen físico del panel de medios en el panel trasero de la unidad.

9. **Ecuador:** Selecciona uno de los siguiente presets de ecualizador digital para utilizar con una fuente del panel de medios: Graves (**BAS**), Pop (**POP**), Rock (**rOC**), Jazz (**JA2**), Clásica (**CLA**), Country (**COU**), Sin ecualización (**OFF**, ajuste predeterminado de fábrica).

Nota: El ecualizador digital solamente funciona para fuentes Bluetooth, unidades de memoria USB y tarjetas SD.

10. **100+:** Saltar 100 pistas hacia adelante.
11. **200+:** Saltar 200 pistas hacia adelante.
12. **Teclas numéricas:** Permite la selección de canales para estaciones de radio FM y la selección de pistas para fuentes de tarjeta SD/USB.

Funcionamiento

Apagado automático

El Total PA Premier está equipado con apagado automático para ahorrar energía en cumplimiento con las regulaciones de eficiencia energética para productos de audio compactos. El Total PA Premier entrará en modo de ahorro de energía tras 20 minutos sin recibir señales de audio a un nivel moderado por la entrada **Aux In** o la entrada auxiliar **XLR In**, el **reproductor de medios USB/SD media**, la **radio**, o una conexión **Bluetooth**. En modo de ahorro de energía, la pantalla y las luces se apagarán, y se deshabilitará la reproducción de audio, pero la unidad permanecerá encendida en modo de espera.

Para reanudar el funcionamiento normal, simplemente gire una perilla o pulse un botón de la unidad o control remoto.

Para evitar el apagado automático, una señal de audio debe permanecer activa a un nivel de volumen moderado proveniente desde la entrada **Aux In** o la entrada auxiliar **XLR In**, el **reproductor de medios USB/SD media**, la **radio**, o una conexión **Bluetooth**. Recomendamos ajustar el volumen de la fuente de audio (por ejemplo, la entrada auxiliar o Bluetooth) al máximo y el **volumen maestro a cinco o más** para evitar el apagado.

Para evitar el apagado automático al usar solamente el micrófono, conéctelo a la entrada auxiliar **XLR In**, ajuste el **volumen de la entrada Aux** al máximo y luego ajuste el **volumen maestro** hasta que se escuche el micrófono.

Control de aplicación

IMPORTANTE: Para asegurarse la mejor experiencia posible con la aplicación, utilice el Android OS o iOS más actualizado en su dispositivo.

Nota: Asegúrese de que su dispositivo tenga acceso a internet a través de su operador o conexión inalámbrica. Puede también descargar la aplicación gratuita a su computadora, pero recuerde conectar y sincronizar su dispositivo para transferir la aplicación.

Siga los pasos indicados a continuación para descargar la aplicación a su dispositivo:

1. En su dispositivo, vaya a la tienda de aplicaciones respectiva de Apple o Google Play.
2. Busque la aplicación gratuita **ION Sound XP**.
3. Siga las instrucciones que aparecen en la pantalla para descargar e instalar la aplicación.
4. Una vez descargada, la aplicación **ION Sound XP** aparecerá en la pantalla de inicio de su dispositivo.

Apareamiento de un dispositivo Bluetooth

1. Encienda su dispositivo Bluetooth.
2. Encienda el Total PA Premier.
3. Use el botón **Mode** para seleccionar el modo Bluetooth, el cual se muestra como **"bt"** en la pantalla. Total PA Premier entrará automáticamente al modo de apareamiento para buscar dispositivos Bluetooth. Se dará cuenta de que está en modo de apareamiento cuando el icono Bluetooth esté parpadeando. Además, los avisos de voz automáticas del altavoz le alertarán sobre el estado del dispositivo: **Bluetooth Pairing** (apareamiento Bluetooth), **Bluetooth Connected** (Bluetooth conectado) o **Bluetooth Disconnected** (Bluetooth desconectado).
4. Navegue a la pantalla de configuración de su dispositivo Bluetooth, busque **"Total PA Premier"** y realice la conexión. El **icono Bluetooth** permanecerá encendido.

Nota: Los usuarios deben considerar la actualización del sistema operativo (OS) de su dispositivo si experimentan problemas con el apareamiento o la reproducción de música.

5. Para desconectar el apareamiento, apague el Bluetooth de su dispositivo o seleccione **Olvidar este dispositivo** (Forget this device) en su dispositivo.

Si desea desactivar (o activar) los avisos de voz, mantenga pulsado el botón **Play/Pause** en el panel de medios.

Nota: Total PA Premier tiene que estar en el modo Bluetooth al desactivar o activar los avisos de voz.

Enlace dos altavoces

Para enlazar de forma inalámbrica dos altavoces Total PA Premier:

1. Encienda ambos altavoces usando sus **interruptores de encendido**.
2. Sin Bluetooth conectado, presione el botón **Modo** en un Total PA Premier para seleccionar Bluetooth como fuente de audio, que aparece como "**bt**" en la pantalla. Este será el altavoz "secundario."
3. Presione el botón **Link** en un segundo Total PA Premier para ingresar al modo Stereo Link. Este será el altavoz "primario."
4. Espere hasta 1 minuto para que los altavoces hacen la conexión. Una vez que los dos altavoces están enlazados, presione el botón **Modo** en el altavoz "primario" para seleccionar la fuente de audio deseada.
5. Para desconectar, presione dos veces el botón **Link** en el altavoz "primario".

Para enlazar dos altavoces Total PA Premier con cables:

1. Con el **Interruptor de encendido/apagado** de cada altavoz apagado, conecte cada altavoz a una toma de corriente.
2. Conecte un cable de XLR en la **salida de mezcla** ubicada en el panel trasero de uno de los altavoces Total PA Premier. Este altavoz (el altavoz primario) es al cual se deberán conectar las fuentes de audio tales como dispositivos Bluetooth, micrófonos o unidades de memoria USB.
3. Conecte el otro extremo del cable de XLR a la **Entrada línea** del panel trasero de su segundo altavoz Total PA Premier. Este segundo altavoz recibirá el audio proveniente de cualquier dispositivo conectado al primer altavoz (el altavoz primario).
4. Encienda ambos altavoces utilizando sus **Interruptores de encendido/ apagado**.
5. Conecte sus fuentes de audio al primer altavoz (el altavoz primario).
6. Asegúrese de que el control **Master Volume (volumen maestro)** de cada altavoz se encuentre ajustado al mismo nivel.
7. Con una de sus fuentes de audio reproduciéndose, aumente gradualmente el **Volumen de entrada auxiliar** del segundo altavoz Total PA Premier hasta que el volumen de este altavoz coincida con el volumen del primer altavoz (el altavoz primario).

Solución de problemas

Si el sonido está distorsionado: Pruebe bajando el control de volumen de su fuente de sonido o instrument musical. Pruebe también reduciendo el volumen general del Total PA Premier.

Si los graves son demasiado fuertes: Intente ajustando el control de tono o ecualización de su Total PA Premier o fuente de sonido para reducir el nivel de graves. De esta forma podrá reproducir la música con más volumen antes de que se produzca el recorte (distorsión).

Si hay un silbido agudo cuando se usa un micrófono: Probablemente sea realimentación. Apunte el micrófono apartándolo del altavoz.

Si no puede oír el micrófono por arriba del volumen de la música: Disminuya el volumen de la música en su fuente.

Cuando pulso Anterior (◀◀) o Siguiente (▶▶) no pasa a la siguiente estación FM: Con pulsaciones breves de este botón se salta a los presets. Mantenga pulsado este botón para **buscar** la estación siguiente.

Si el canal de la estación de radio parpadea: la unidad está silenciada. Anule el silenciamiento para detener el parpadeo y continuar la reproducción.

Si el logo Bluetooth parpadea rápidamente: la unidad está en modo de apareamiento.

Si el logo Bluetooth parpadea lentamente: el dispositivo está apareado, pero la música está silenciada. Anule el silenciamiento para detener el parpadeo y continuar la reproducción.

El n° de pista USB (Por ejemplo: 001) parpadea lentamente: la reproducción de música de la unidad USB está silenciada. Anule el silenciamiento para detener el parpadeo y continuar la reproducción.

Aparece "NONE" en el LCD: Si ya hay una unidad USB o tarjeta SD insertada correctamente, asegúrese de que contenga archivos reproducibles.

Si no puede conectar su dispositivo de audio al Total PA Premier mediante Bluetooth:

- Mantenga su dispositivo de audio (por ej., teléfono inteligente [smartphone] o tableta) y el Total PA Premier lo más cerca posible entre sí al realizar la conexión. Asegúrese que tanto el dispositivo de audio como el Total PA Premier no estén obstruidos por paredes, muebles, etc.
- Reinicie la conexión Bluetooth del Total PA Premier para desconectarlo Total PA Premier de cualquier otro dispositivo de audio y reinicie el proceso de búsqueda. Si esto no funciona en seguida, apague el Total PA Premier y luego vuelva a encenderlo. Para más información, consulte [Funcionamiento > Apareamiento de un dispositivo Bluetooth](#).
- Reinicie la conexión Bluetooth de su dispositivo de audio apagando el Bluetooth y luego volviendo a encenderlo. Puede encontrar esta opción dentro del menú Bluetooth en los ajustes de su teléfono o dispositivo de audio.

Si esto no funciona y ya se había conectado al Total PA Premier anteriormente, busque Total PA Premier en la lista de dispositivos disponibles o previamente conectados en el menú Bluetooth de su dispositivo de audio, toque el icono de engranaje o "i" ubicado junto a él y luego seleccione **Desaparear** u **Olvidar**. Apague el Total PA Premier, luego vuelva a encenderlo e intente aparearlo nuevamente una vez que vuelva a aparecer en su lista de dispositivos disponibles.

Nota: Si Total PA Premier ya ha sido recientemente apareado con otro dispositivo de audio que aún se encuentre dentro del alcance, es posible que tenga que repetir este proceso con ese dispositivo de audio para desconectarlo completamente.

Guide d'utilisation (Français)

Présentation

Merci d'avoir fait l'acquisition de l'enceinte Total PA Premier. Chez ION, votre divertissement est aussi important pour nous qu'il l'est pour vous. C'est pourquoi nous concevons nos produits avec une seule chose en tête — rendre la vie plus amusante et plus pratique.

1. Assurez-vous que tous les articles énumérés dans le **Contenu de la boîte** de ce guide sont inclus dans la boîte. Dans la boîte, sous la feuille de polystyrène se trouvent les pieds en caoutchouc et le bouton du support de l'enceinte, le câble d'alimentation et le microphone.
2. **Veillez lire le livret des consignes de sécurité avant d'utiliser le produit.**
3. Veuillez examiner le **Schéma de connexion**.
4. Veuillez vous assurer que tous les appareils d'entrée tels que microphones, lecteurs de disques compacts ou lecteurs multimédia numériques raccordés sont éteints et que leur volume est à « zéro ».
5. Veuillez raccorder tous les appareils comme indiqué sur le schéma.
6. Mettez tous les appareils sous tension dans l'ordre suivant :
 - sources d'entrée audio (p. ex., microphones, instruments, lecteurs de disques compacts)
 - Total PA Premier
7. Pour mettre hors tension, toujours inversez l'opération :
 - Total PA Premier
 - sources d'entrée audio

Contenu de la boîte

Total PA Premier

Microphone avec câble

Support télescopique

Télécommande

Câble d'alimentation (IEC)

Guide d'utilisation rapide / Consignes de sécurité et information concernant la garantie

Assistance

Pour les dernières informations concernant ce produit (la configuration système minimale requise, la compatibilité, etc) et l'enregistrement du produit, veuillez visitez le site ionaudio.com.

Pour de l'assistance supplémentaire, veuillez visiter ionaudio.com/support.

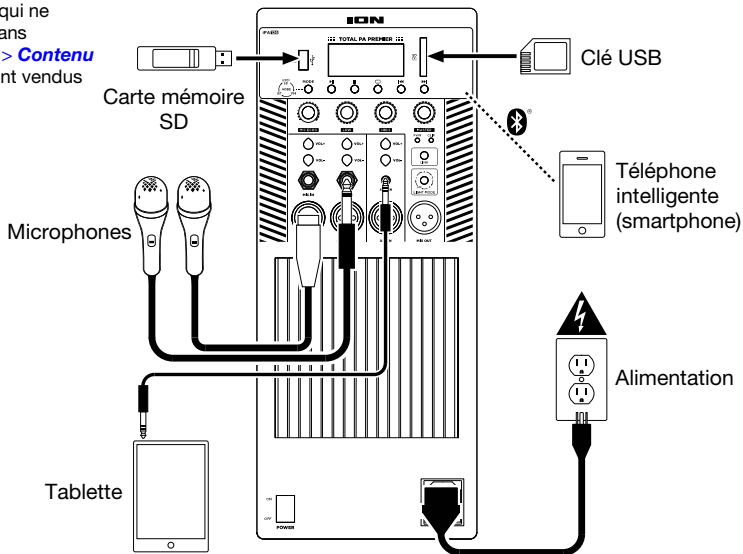


Mise en garde : Ne pas exposer le Total PA Premier aux intempéries ou reposer dans l'eau.

Démarrage rapide

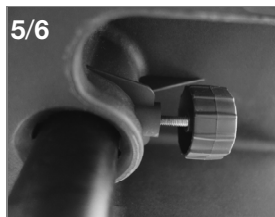
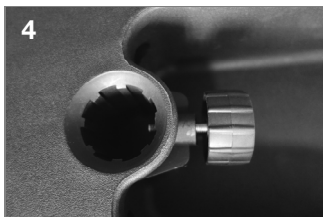
Schéma de connexion

Les éléments qui ne figurent pas dans **Présentation > Contenu de la boîte** sont vendus séparément.



Installation du support pour enceinte

1. Déployez entièrement les pieds du support sur une surface plate et stable. Dans la boîte, sous la feuille de polystyrène se trouvent les pieds en caoutchouc et le bouton du support de l'enceinte.
2. Allongez la perche télescopique du support à la hauteur appropriée et serrez la vis latérale.
3. Introduisez la goupille dans le trou inférieur de la perche afin qu'elle demeure à la hauteur désirée.
4. Serrez la vis inférieure de la Total PA Premier dans le sens antihoraire afin qu'elle ne bloque pas l'ouverture.
5. Alignez le trou de fixation de la Total PA Premier à la perche du support et placez l'enceinte sur la perche.
6. Serrez la vis de fixation de la Total PA Premier dans le sens horaire.



Caractéristiques

Panneau arrière

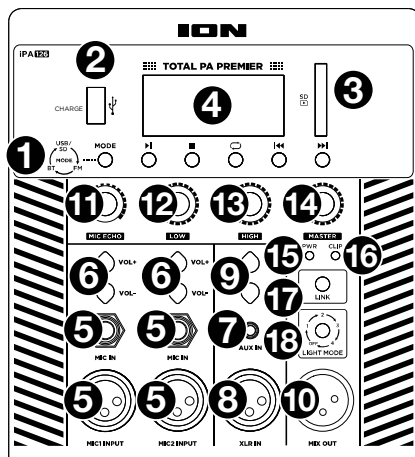
- Panneau des médias :** Commandes pour les sources USB/SD, radio FM et Bluetooth. L'icône de la source actuelle s'allume dans l'écran lorsque cette source est sélectionnée par le Panneau des médias.

Remarque : La clé USB ou la carte SD doit contenir des fichiers lisibles par l'appareil afin que ces derniers s'affichent dans le panneau multimédia.

- Port USB :** Ce port permet de brancher une clé USB pour écouter de la musique. Vous pouvez également utiliser ce port pour recharger un appareil USB.
- Emplacement pour carte mémoire SD :** Insérez une carte SD dans cet emplacement.
- Écran :** Affiche les modes de fonctionnement de l'enceinte pour USB/SD, radio FM et Bluetooth.

Remarque : Un film de protection en plastique recouvre l'écran. Retirez-le pour un affichage optimal.

- Entrées microphone (6,35 mm et XLR) :** Ces entrées permettent de brancher un microphone électrodynamique. Le volume des entrées XLR et 6,35 mm est commandé par le bouton **volume des entrées microphone**.
- Touches de volume des entrées microphone :** Ces touches permettent d'ajuster le volume des **entrées du microphone**.
- Entrée auxiliaire (3,5 mm) :** Cette entrée stéréo 3,5 mm permet de brancher un lecteur de disques compacts, un lecteur multimédia ou autres sources audio. Le niveau de cette entrée est commandé par le bouton **volume d'entrée auxiliaire**.
- Entrée ligne (XLR) :** Cette entrée à niveau ligne et XLR permet de brancher une niveau ligne console de mixage ou un instrument de musique. Le niveau de cette entrée est commandé par le bouton **volume d'entrée auxiliaire**. Utilisez cette entrée à niveau ligne afin de relier deux enceintes Total PA Premier.
- Touches de volume d'entrée auxiliaire :** Ces touches permettent d'ajuster le volume d'**entrée auxiliaire** et **entrée ligne (XLR)**.
- Sortie mix (XLR) :** Cette sortie XLR permet de brancher une autre enceinte amplifiée. Le volume est commandé par les touches **volume des entrées microphone**, **volume d'entrée auxiliaire** et **volume principal**.
- Mic Echo :** Ce bouton de réglage permet d'ajouter ou de supprimer un effet d'écho au **entrées microphone**.
- Égalisation des basses fréquences :** Augmente ou diminue les basses fréquences pour les sources des **entrées microphone, ligne et panneau des médias** entre -12 dB à +12 dB.
- Égalisation des hautes fréquences :** Augmente ou diminue les hautes fréquences pour les sources des **entrées microphone, ligne et panneau des médias** entre -12 dB à +12 dB.
- Volume principal :** Cette commande permet d'ajuster le volume principal du haut-parleur Total PA Premier.
- Témoin d'écrêtage :** En présence d'écrêtage du signal des entrées ou du panneau des médias, le voyant DEL clignote. Pour remédier à l'écrêtage, diminuez le réglage des touches **volume des entrées microphone**, **volume d'entrée auxiliaire** et commande **volume principal**.
- Témoin d'alimentation DEL :** Indique si l'enceinte Total PA Premier est sous ou hors tension.
- Bouton Lier :** appuyez sur ce bouton pour lier votre enceinte à un autre Total PA Premier. Voir [Fonctionnement > Relier deux enceintes](#) pour plus d'informations.



18. **Touche de mode d'éclairage** : Cette touche permet de commuter entre les cinq modes d'éclairage du panneau avant :

- **Roue couleur** : Les lumières tournent autour du haut-parleur de graves.
- **Roue couleur avec synchronisation de rythme** : Les lumières tournent autour du haut-parleur de graves selon le rythme de la musique.
- **Cycle de couleur** : Les lumières d'alterner toutes les couleurs.
- **Synchronisation de rythme** : Les lumières clignote et change de couleur selon le rythme de la musique.
- **Désactivé** : Les lumières sont éteintes.



19. **Câble d'alimentation (IEC)** : Branchez le câble d'alimentation inclus ici afin d'alimenter l'appareil.

20. **Compartment du fusible** : Si le fusible de l'appareil est endommagé, retirez le **porte-fusible** et remplacez le fusible endommagé par un nouveau fusible de même calibre (comme indiqué sur le **porte-fusible**). L'utilisation d'un fusible de calibre inapproprié pourrait endommager l'appareil et/ou le fusible.

21. **Interrupteur d'alimentation** : Cet interrupteur met la Total PA Premier sous et hors tension.

Panneau des médias

Fonctions du panneau des médias :

MODE Mode : Permet de changer le mode de fonctionnement : USB/SD, radio FM et Bluetooth.

Remarque : La clé USB ou la carte SD doit contenir des fichiers lisibles par l'appareil afin que ces derniers s'affichent dans le panneau multimédia.

▶|| **Lecture/Pause** : Lorsque USB/SD ou Bluetooth sont sélectionnées comme source audio, cette touche permet de lancer ou d'interrompre la lecture. Lorsque FM radio est sélectionnée comme source audio, maintenez la touche de **lecture/pause** pendant 2 secondes afin d'amorcer la fonction d'enregistrement automatique des stations préréglées. Ceci permet de balayer la bande FM, en commençant par la station radio la plus basse (87,5), afin d'enregistrer les stations ayant un signal plus fort.

Remarque : Les fichiers sont lus de la source USB et de la carte SD en ordre alphabétique, en partant du répertoire racine, puis du dossier et ensuite par le nom de la piste.

↻ **Répéter** : Cette touche permet de répéter toutes les pistes (**ALL**), toutes les pistes dans le dossier (**FOLD**), la piste en cours (**OnE**), ou toutes les pistes de manière aléatoire (**rAn**) de la source USB ou de la carte SD en cours de lecture.

⏮ **Précédente** : Cette touche permet de faire jouer la piste USB, SD ou Bluetooth précédente. Durant l'écoute de la radio FM, appuyer une fois sur cette touche permet de passer à la station FM précédente et la maintenir enfoncée permet de passer au canal préréglé précédent.

⏭ **Suivante** : Cette touche permet de faire jouer la piste USB, SD ou Bluetooth suivante. Durant l'écoute de la radio FM, appuyer une fois sur cette touche permet de passer à la station FM suivante et la maintenir enfoncée permet de passer au canal préréglé suivant.

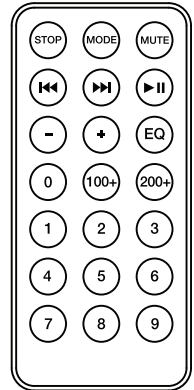
Remarque : Dans certaines applications, les touches piste précédente (**⏮**) et piste suivante (**⏭**) permettent de passer à la liste de lecture ou le genre de musique suivant ou précédent.

Télécommande du panneau des médias

Remarque : Pointez la télécommande vers le haut-parleur d'extrêmes graves de l'enceinte. L'éclairage de la pièce et la charge de la pile peuvent affecter la plage de fonctionnement de la télécommande.

Remarque : Avant d'utiliser la télécommande pour la première fois, retirez la languette du compartiment à pile. Pour changer la pile de la télécommande, suivez le schéma situé à l'arrière de la télécommande. Utilisez une pile de recharge au lithium CR2032 de 3 V CC.

1. **Stop :** Cette touche permet d'arrêter la lecture de la source du panneau des médias.
2. **Mode :** Cette touche permet de sélectionner la source du panneau des médias : USB, SD, Bluetooth ou radio FM.
3. **Mute :** Cette touche permet de mettre en sourdine le signal audio des sources du panneau des médias.
4. **Piste précédente (◀◀) :** Cette touche permet de passer à la piste précédente de la source USB ou de la carte SD. Sur des sources Bluetooth, cette touche permet de passer à d'autres listes de lecture ou de genre musical, selon l'application. Durant l'écoute de la radio FM, appuyer une fois sur cette touche permet de passer à la station FM précédente et la maintenir enfoncée permet de passer au canal préréglé précédent.
5. **Piste suivante (▶▶) :** Cette touche permet de passer à la piste suivante de la source USB ou de la carte SD. Sur des sources Bluetooth, cette touche permet de passer à d'autres listes de lecture ou de genre musical, selon l'application. Durant l'écoute de la radio FM, appuyer une fois sur cette touche permet de passer à la station FM suivante et la maintenir enfoncée permet de passer au canal préréglé suivant.
6. **Lecture/Pause (▶||) :** Cette touche permet de lancer ou d'interrompre la lecture de la source Bluetooth, USB ou de la carte SD du panneau des médias. Maintenez la touche de lecture/pause/d'appel-réponse pendant 2 secondes afin d'amorcer la fonction d'enregistrement automatique des stations préréglées. Ceci permet de balayer la bande FM, en commençant par la station radio la plus basse (87,5), afin d'enregistrer les stations ayant un signal plus fort.



Remarque : Les fichiers sont lus de la source USB et de la carte SD en ordre alphabétique, en partant du répertoire racine, puis du dossier et ensuite par le nom de la piste.

7. **Vol - :** Cette touche permet de diminuer le volume de la source du panneau des médias.
8. **Vol + :** Cette touche permet d'augmenter le volume de la source du panneau des médias.

Remarque : Les commandes volume de la télécommande affectent uniquement le volume de la source du panneau des médias et fonctionnent conjointement avec le bouton volume matériel du panneau des médias du panneau arrière de l'appareil.

9. **EQ :** Cette touche permet de sélectionner un des préréglages d'égalisation numérique suivants à utiliser avec une source du panneau des médias : Basses (**BAS**), Pop (**POP**), Rock (**rOC**), Jazz (**JA2**), Classique (**CLA**), Country (**COU**), Aucune égalisation appliquée (**OFF**, réglages d'usine).

Remarque : L'égalisation numérique fonctionne uniquement pour les sources Bluetooth, les clés USB et les cartes SD.

10. **100+ :** Cette touche permet d'effectuer un saut de 100 pistes.
11. **200+ :** Cette touche permet d'effectuer un saut de 200 pistes.
12. **Touches numériques :** Ces touches permettent de sélectionner le canal pour les stations de radio FM et de sélectionner les pistes des clés USB et des cartes SD.

Fonctionnement

Mode d'économie d'énergie automatique

La Total PA Premier est équipée d'un mode d'économie d'énergie automatique afin de se conformer au règlement sur l'efficacité énergétique concernant les produits audio compacts. La Total PA Premier se mettra automatiquement en mode d'économie d'énergie après 20 minutes d'inactivité à moins qu'elle ne détecte un signal audio de niveau modéré provenant de l'**entrée auxiliaire** ou de l'**entrée XLR** auxiliaire, du **lecteur multimédia USB** ou **SD**, de la **radio** ou d'une connexion **Bluetooth**. En mode d'économie d'énergie, l'écran et les lumières sont éteints et la lecture audio est désactivée, mais l'appareil reste sous tension en mode veille.

Pour reprendre le fonctionnement normal, tournez simplement un bouton ou appuyez sur une des touches de l'appareil ou de la télécommande.

Afin d'éviter que l'enceinte n'entre en mode d'économie d'énergie, un signal audio de niveau modéré provenant de l'**entrée auxiliaire** ou de l'**entrée XLR** auxiliaire, du **lecteur multimédia USB** ou **SD**, de la **radio** ou d'une connexion **Bluetooth** doit rester actif. Nous recommandons de régler le volume de la source audio (c.-à-d. l'**entrée auxiliaire** ou **Bluetooth**) au maximum et le **volume général à 5 ou plus** afin d'éviter que l'enceinte n'entre en mode d'économie d'énergie.

Afin d'éviter que l'enceinte n'entre en mode d'économie d'énergie lorsque vous utilisez le microphone seul, branchez-le à l'**entrée XLR** auxiliaire, réglez le **volume d'entrée auxiliaire** au maximum, puis réglez le **volume général** jusqu'à ce que vous entendiez le microphone.

Contrôle d'application

IMPORTANT : Afin de profiter de la meilleure expérience possible avec l'application, assurez-vous d'avoir la toute dernière version de Android OS ou de iOS sur votre appareil.

Remarque : Veuillez vous assurer que votre appareil dispose d'une connexion Internet. Vous pouvez également télécharger l'application gratuite sur votre ordinateur, mais n'oubliez pas de connecter et de synchroniser votre appareil afin de transférer l'application.

Veillez suivre les étapes ci-dessous afin de télécharger l'application sur votre appareil :

1. Accédez au Apple App Store ou à Google Play à partir de votre appareil.
2. Recherchez l'application **ION Sound XP**.
3. Suivez ensuite les consignes à l'écran afin de la télécharger et de l'installer.
4. Une fois téléchargée, l'application **ION Sound XP** s'affiche sur la fenêtre d'accueil de votre appareil.

Jumelage d'un appareil Bluetooth

1. Mettez votre appareil Bluetooth sous tension.
2. Mettez l'enceinte Total PA Premier sous tension.
3. Utilisez le bouton **Mode** pour sélectionner le mode Bluetooth qui s'affichera comme « **bt** ». La Total PA Premier passera automatiquement en mode jumelage afin de rechercher les appareils Bluetooth. Vous saurez que le mode jumelage est activé lorsque l'icône Bluetooth clignotera. En outre, les messages vocaux automatiques de l'enceinte vous avertiront de son état : **Bluetooth Pairing** (jumelage Bluetooth en cours), **Bluetooth Connected** (connexion Bluetooth établie) ou **Bluetooth Disconnected** (déconnexion Bluetooth).
4. Accédez à l'écran de configuration de votre appareil Bluetooth, recherchez « **Total PA Premier** » et lancez le jumelage. L'**icône Bluetooth** demeurera allumée.

Remarque : Veuillez mettre à jour le système d'exploitation de votre appareil si vous éprouvez des problèmes durant le jumelage ou lors de la lecture de musique.

5. Pour supprimer la connexion, désactivez la fonction Bluetooth sur votre appareil ou sélectionnez **Oublier cet appareil**.

Si vous souhaitez désactiver (ou activer) les messages vocaux, maintenez la touche **Play (Lecture)/Pause** du **Panneau des médias** enfoncée tandis que Bluetooth est sélectionnée comme source audio.

Remarque : Le mode Bluetooth doit être sélectionné comme source audio pour désactiver (ou activer) les messages vocaux.

Relier deux enceintes

Pour relier sans fil deux enceintes Total PA Premier :

1. Mettez les deux enceintes sous tension à l'aide de leurs **interrupteurs d'alimentation**.
2. Vérifiez qu'aucun appareil Bluetooth n'est connecté, puis appuyez sur la touche **Mode** d'une des enceintes Total PA Premier, pour sélectionner le mode Bluetooth qui s'affichera comme « **bt** ». Cette enceinte sera l'enceinte « secondaire ».
3. Appuyez sur la touche **Link** de la deuxième Total PA Premier afin de passer en mode Stereo Link. Cette enceinte sera l'enceinte « primaire ».
4. Attendez environ 1 minute afin que les enceintes puissent établir la connexion. Une fois les deux enceintes jumelées, appuyez sur la touche Mode sur l'enceinte « primaire » afin de sélectionner le mode de audio.
5. Pour déconnecter l'appareil, appuyez deux fois sur la touche **Link** de l'enceinte « primaire ».

Pour relier deux enceintes Total PA Premier utilisant des câbles :

1. En vous assurant que l'**Interrupteur d'alimentation** de chaque enceinte est hors tension, branchez les deux enceintes à une prise secteur.
2. Reliez un câble XLR à la **Sortie mix** du panneau arrière d'une des enceintes Total PA Premier. C'est à cette enceinte (maître) que vous devrez relier les sources audio comme un appareil Bluetooth, un microphone ou une clé USB.
3. Reliez l'autre extrémité du câble XLR à l'**Entrée ligne** du panneau arrière de la deuxième enceinte Total PA Premier. Cette deuxième enceinte recevra l'audio de tous les appareils reliés à la première enceinte (maître).
4. Mettez les deux enceintes sous tension à l'aide de leurs **Interrupteurs d'alimentation**.
5. Reliez vos sources audio à la première enceinte (maître).
6. Veillez à ce que le **Volume principal** de chaque enceinte soit au même réglage.
7. Alors qu'une de vos sources audio joue, augmentez progressivement le réglage du **Volume d'entrée auxiliaire** de la deuxième enceinte Total PA Premier jusqu'à ce que le volume de cette enceinte soit au même niveau que le volume de la première enceinte (maître).

Dépannage

Lorsqu'il y a de la distorsion : Essayez de diminuer le volume sur l'appareil d'entrée audio ou l'instrument de musique. Essayez également de diminuer le volume de la Total PA Premier.

Lorsqu'il y a trop de basses fréquences : Essayez de régler le niveau de tonalité et d'égalisation de la Total PA Premier ou de la source d'entrée audio afin de diminuer le niveau des basses fréquences. Cela vous permettra d'augmenter le volume de la musique avant que l'écrêtage se produise.

Lorsqu'il y a un sifflement aigu lors de l'utilisation d'un microphone : Ceci est probablement causé par la rétroaction (effet Larsen). Dirigez le microphone loin de l'enceinte.

Si vous ne pouvez entendre le microphone à cause du volume trop élevé de la musique : Baissez le volume de la musique provenant de la source.

Lorsque j'appuie sur la touche piste précédente (◀◀) ou piste suivante (▶▶), le module ne passe pas à la station FM suivante : Appuyer sur les touches permet de sauter au préréglage suivant ou précédent. Maintenir la touche enfoncée permet de **rechercher** la station de radio suivante ou précédente.

Si le canal de la station de radio clignote : l'appareil est en mode en sourdine. Désactivez la mise en sourdine afin d'arrêter le clignotement et reprendre la lecture.

Si le logo Bluetooth clignote rapidement : l'appareil est en mode de jumelage.

Si le logo Bluetooth clignote lentement : un appareil est jumelé, mais la musique a été mise en sourdine. Désactivez la mise en sourdine afin d'arrêter le clignotement et reprendre la lecture.

Le numéro de piste USB (exemple : 001) clignote lentement : la lecture de la musique de la source USB a été mise en sourdine. Désactivez la mise en sourdine afin d'arrêter le clignotement et reprendre la lecture.

Si l'écran à cristaux liquides affiche « NONE » : Si une clé USB ou une carte SD est correctement insérée, assurez-vous qu'elle contient des fichiers lisibles.

Si vous ne pouvez connecter votre appareil audio à la Total PA Premier par connexion Bluetooth :

- Veillez à ce que votre appareil audio (p. ex., smartphone ou tablette) et la Total PA Premier soient le plus près possible l'un de l'autre lors du jumelage. Veillez également à ce qu'aucun obstacle ne se trouve entre l'appareil audio et la Total PA Premier, comme des murs, des meubles, etc.
- Réinitialisez la connexion Bluetooth sur la Total PA Premier afin de supprimer toute connexion à la Total PA Premier et recommencer le processus de recherche d'appareil. Si cela ne fonctionne pas immédiatement, mettez la Total PA Premier hors tension et de nouveau sous tension. Veuillez consulter la section **Fonctionnement > Jumelage d'un appareil Bluetooth** afin d'en savoir plus.
- Réinitialisez la connexion Bluetooth sur l'appareil audio en désactivant et réactivant la connexion Bluetooth. Vous pouvez effectuer ceci à partir du menu Bluetooth dans les Réglages de votre smartphone ou autre appareil audio.

Si cela ne fonctionne pas et que vous avez déjà connecté votre appareil à la Total PA Premier auparavant, veuillez rechercher la Total PA Premier dans la liste des appareils disponibles ou précédemment connectés dans le menu Bluetooth de votre appareil audio, puis appuyer sur l'icône engrenage ou « i » située à côté de « Oublier cet appareil ». Mettez la Total PA Premier hors tension et de nouveau sous tension et réessayez de la jumeler une fois qu'elle apparaît dans la liste des appareils disponibles.

Remarque : Si la Total PA Premier a été récemment jumelée à un autre appareil audio qui est toujours dans son champ de portée, il se peut que vous deviez répéter ce processus avec cet appareil audio afin de supprimer la connexion.

Appendix (English)

Technical Specifications

Output Power	500 W (peak)
Max SPL (@ 1 m)	116 dB peak, 110 dB continuous C-weighted, free space
Low Frequency	15" (381 mm) woofer
High Frequency	1" (25 mm) tweeter
Crossover	2.2 kHz
Frequency Response	55 Hz – 20 kHz (± 3 dB)
Frequency Range	45 Hz – 22 kHz (@ -10 dB)
Horn Coverage	80/100° H x 60° V, nominal (@ -6 dB)
Input	Gain Range: $-\infty$ to +10 dB (microphone/line) Max Input Level: +10 dBu Impedance: 22 K Ω
External Controls	Channel volume, master volume, power on/off with LED, clip limiter with LED, echo, 2-band equalizer, mode, play/pause, repeat, previous track, next track
Connectors	(3) XLR inputs (2 dynamic microphone/line, 1 line) (2) 1/4" (6.35 mm) TRS inputs (1) 1/8" (3.5 mm) TRS input (1) XLR mix output (1) SD card slot (1) USB port (host) (1) IEC power connection
Bluetooth*	Profile: A2DP, AVCTP Module: Bluetooth 5.0 Speed: 3 Mbps Range: Up to 100 feet / 30.5 meters*
USB Charging Port	+5V, 1A
USB/SD Card	Audio: Music playback from USB drive or SD card Supported File System: FAT32 Supported File Types: MP3 Maximum File Size: ≤ 64 GB Maximum USB Drive / SD Card Capacity: ≤ 64 GB

Protection Features	Over-excursion, thermal, short-circuit protection
Power	100–120 VAC, 60 Hz
Dimensions (width x height x depth)	14.6" x 28.2" x 17.8" 370.5 x 716 x 451 mm
Weight	42.44 lbs. 19.25 kg

Specifications are subject to change without notice.

* Bluetooth range is affected by walls, obstructions, and movement. For optimal performance, place the product in the center of the room so it is unobstructed by walls, furniture, etc.

Trademarks & Licenses

ION Audio is a trademark of ION Audio, LLC, registered in the U.S. and other countries.

App Store is a trademark of Apple Inc., registered in the U.S. and other countries.

Android and Google Play are registered trademarks of Google Inc.

The *Bluetooth* word mark and logos are owned by the Bluetooth SIG, Inc. and any use of such marks by ION Audio is under license.

All other product names, company names, trademarks, or trade names are those of their respective owners.

ionaudio.com