



Vinyl Motion™

Quickstart Guide	English (2 – 6)
Guía de inicio rápido	Español (7 – 11)
Guide d'utilisation rapide	Français (12 – 16)
Guida rapida	Italiano (17 – 21)
Schnellstart-Anleitung	Deutsch (22 – 26)
Snelstartgids	Nederlands (27 – 31)

Quickstart Guide (English)

Introduction

Box Contents

Make sure that the items listed below are included in the box:

- Vinyl Motion™
- USB Cable
- Felt Slipmat
- 45 RPM Adapter
- Software CD
- Quickstart Guide
- Safety & Warranty Manual

Safety Information

- Not for use in rain or wet locations. Use only in dry locations.
- Play the turntable only on a level surface.
- The turntable cover must be open when playing records.
- Close the turntable cover when not playing records.

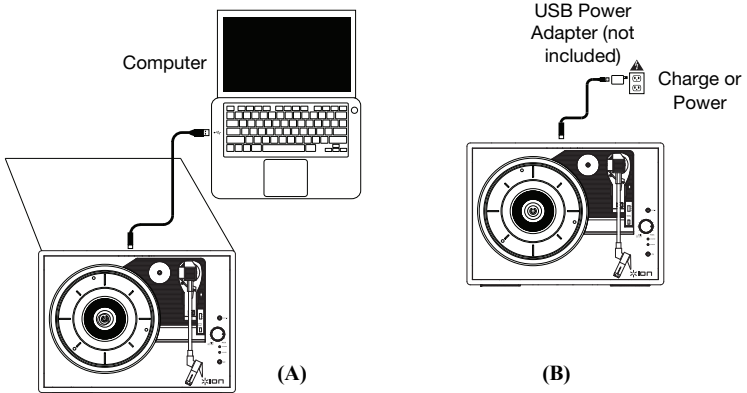
Support

For the latest information about this product (system requirements, compatibility information, etc.) and product registration, visit ionaudio.com.

Connection Diagram

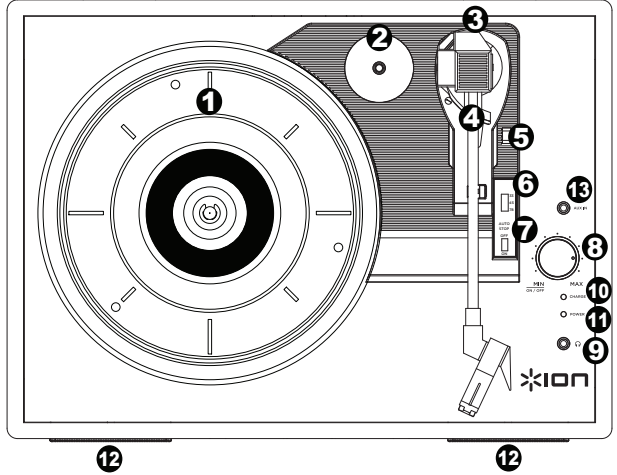
Items not listed under the **Box Contents** are sold separately.

Use the included USB cable to connect Vinyl Motion to **(A)** a 5V USB power adapter connected to a power outlet or **(B)** your computer.



Features

- Platter** – Place your record here.
- 45 RPM Adapter Holder** – Holds the included 45 RPM adapter. When not using the adapter, please place it in this holder.
- Tonearm** – The fixed tonearm can be raised and lowered by hand, or by pressing the raise / lower lever.
- Arm Clip** – This specially designed arm clip secures the tonearm while at rest or when not in use. The arm clip has been designed to remain in the up position while unlocked.
- Raise / Lower Lever** – Raises and lowers the tonearm.
- 33 / 45 / 78 Switch** – This switch controls the RPM of the turntable platter.



Note: For best results when playing 78 RPM vinyl records, use a 78 stylus (sold separately). Only use a 78 stylus with 78 RPM vinyl records. Purchase the iCT06rs 78 stylus at ionaudio.com/ict06rs.

- Autostop switch** – This switch turns autostop on or off. When autostop is on, the platter will start spinning when the tonearm is placed over the record and stop spinning when the record has reached the end. (When autostop is off, the platter will always spin regardless of the position of the tonearm.)

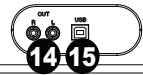
Note: If your vinyl record stops before it reaches the end of the music, turn Autostop to the off position for this particular record. This is generally recommended for 45 RPM records.

- Volume/Power Knob** – To power on Vinyl Motion, turn this knob clockwise until it clicks. When powered on, use this knob to adjust the volume for the internal speakers and headphones. To turn off Vinyl Motion, turn this knob counterclockwise until it clicks.
- Headphone Output** – Connect headphones here (sold separately) to listen to your vinyl.
- Battery Charging Indicator** – The LED will illuminate when charging the battery. The LED will turn off once the battery is fully charged.
- Power Indicator** – This LED illuminates when the power is on and goes out when the battery power is depleted.
- Speaker** – The record's audio will be played through this built-in speaker.
- Aux Input** – Connect a CD player, digital media player, or other audio source to this 1/8" stereo auxiliary input.
- RCA Output*** – The audio from a playing vinyl record is sent to this line-level coaxial audio output. This must not be connected to phono level devices.
- USB Port** – Use the included USB cable to connect your turntable to your computer. The USB connection will send audio from the turntable to your computer. Please see the **Using Vinyl Motion With Your Computer** section of this manual for information. Also, use the included USB cable to connect Vinyl Motion to a USB power adapter connected to a power outlet or your computer.

IMPORTANT: Place the included felt slipmat on the platter; then place your record on the felt slipmat to carefully hold your records.

IMPORTANT: Remove the plastic cartridge cover (needle cover) before operating the turntable.

***WARNING:** The RCA outputs are LINE level. Please only connect these to LINE level inputs. You may damage your receiver if you plug in a LINE level device into a PHONO level input.



Using Vinyl Motion With Your Computer

Recording

To record music to your computer, you can use ION EZ Vinyl/Tape Converter. EZ Vinyl/Tape Converter, ionaudio.com/ezvc, conveniently saves your recordings to your computer. After you finish converting your vinyl, you can then burn to CD or load onto portable media devices.

To install the software, insert the included CD into your computer, and follow the on-screen instructions.

1. With EZ Vinyl/Tape Converter installed on your computer, use the included USB cable to connect Vinyl Motion's USB port to an available USB port on your computer.
2. On your computer, you can open EZ Vinyl/Tape Converter by going to **Start Menu ► All Programs** (Windows) or the **Applications** menu (Mac).
3. Follow the on-screen instructions to set up your recording. When prompted to play your music, move Vinyl Motion's tonearm over the record to start playback.

Note: *To listen to a record while it's playing, listen through your computer's speakers, or connect Vinyl Motion's RCA outputs to a stereo system or powered speakers. Do **not** connect them to phono-level inputs; Vinyl Motion's RCA outputs are line-level and could damage a device with phono-level inputs.*

4. When you have finished recording, raise Vinyl Motion's tonearm from the record and return it to its arm clip.

Visit ionaudio.com/computer-optimization for more information on optimizing your computer for audio.

Playback

There are 3 ways to listen to your vinyl records with Vinyl Motion:

1. You can simply listen to your music using Vinyl Motion's internal speakers.
2. If you prefer to use your own stereo speakers, you can connect Vinyl Motion's RCA outputs to a stereo system or to powered speakers. Do not connect them to phono-level inputs; Vinyl Motion's RCA outputs are line-level and could damage a device with phono-level inputs. (Any other standard input type, such as CD, Aux In, or Tape is acceptable).
3. You can listen through your computer speakers or with headphones connected to your computer, once your computer soundcard's input device has been set to *USB PnP Audio Device* or *USB Audio Device*, depending on your Windows operating system (USB PnP Audio Device on Mac OS X) and that you are record-monitoring the audio using EZ Vinyl/Tape Converter or similar software (Vinyl Motion cannot be used as a playback device for your computer's audio.). See the section *Setting Your Computer's Soundcard as the Default Playback Device* for details on how to configure sound playback.

Troubleshooting

If you experience any difficulties, please refer to the troubleshooting steps below as well as those in the EZ Vinyl/Tape Converter manual included with this product.

If you are recording to a **computer**:

- Make sure that Vinyl Motion is powered on and that the needle is on the record.
- Make sure Vinyl Motion is selected as your computer's default recording device (see the instructions below).
- If you are listening through your computer's speakers, make sure those speakers are selected as your computer's default playback device (see the instructions below). Alternatively, you could connect Vinyl Motion's RCA outputs to a stereo system or powered speakers. Do **not** connect them to phono-level inputs; Vinyl Motion's RCA outputs are line-level and could damage a device with phono-level inputs.
(Note: The RCA outputs monitor the signal coming out of the turntable, not the signal coming from your computer.)
- Disconnect then reconnect the USB cable connecting Vinyl Motion to your computer.

I'm not hearing any audio when playing music:

- If you are playing music from **vinyl**:
 - Make sure that Vinyl Motion is powered on and that the needle is on the record.
 - Connect Vinyl Motion's RCA outputs to a stereo system or powered speakers. (Do **not** connect them to phono-level inputs; Vinyl Motion's RCA outputs are line-level and could damage a device with phono-level inputs.)
- If you are playing music from your **computer**:
 - Make sure your software music player's volume is turned up.
 - Make sure your computer's volume is turned up.
 - Make sure your computer's speakers are selected as your computer's default playback device (see the instructions below). (Vinyl Motion cannot be used as a playback device for your computer's audio.)

I am hearing a hum through my speaker or laptop when using the turntable:

- If you are recording to a laptop:
 - Please connect the laptop to a grounded power supply (3 prong)
- If you are playing through a speaker:
 - Please connect to a grounded (3 prong) power supply.

My record is not playing at the correct speed; its pitch is too high or too low:

- Ensure the 33 / 45 / 78 switch is set to the correct speed for your record.

My record is hitting the edge of the top cover:

- Use a slipmat at all times to raise your records high enough to clear the top cover.

Setting Vinyl Motion as the Default Recording Device

- **Windows XP:** Click **Start Menu** ► **Control Panel** (or Settings ► Control Panel in Classic View) ► **Sound and Audio Devices**. Click the **Audio** tab and under **Sound recording**, select **USB PnP Audio Device** as the default device.
- **Windows Vista:** Click **Start Menu** ► **Control Panel** (or Settings ► Control Panel in Classic View) ► **Hardware and Sound** ► **Sound**. Click the **Recording** tab and select **USB PnP Audio Device** as the default device.
- **Windows 7:** Click **Start Menu** ► **Control Panel** ► **Sound**. Click the **Recording** tab and select **USB PnP Audio Device** as the default device.
- **Windows 8:** From the **Start** Menu, click the lower-left corner of the screen to bring yourself to the Desktop. In the bottom-right corner of the Taskbar, locate the Volume Control "Speaker" icon. Right-click the speaker and select **Playback Devices**. In the **Windows Sound** control panel select the **Recording** tab. If **USB PnP Audio Device** does not have a green "check mark" symbol next to it, right-click it and select "Set as Default Device".
- **Mac:** Click the upper-left "apple" icon then click **System Preferences** ► **Sound**. Click the **Input** tab. From the menu, select **USB PnP Audio Device** as the device.



Setting Your Computer's Soundcard as the Default Playback Device

- **Windows XP:** Click **Start Menu** ► **Control Panel** (or Settings ► Control Panel in Classic View) ► **Sound and Audio Devices**. Click the **Audio** tab and under **Sound playback**, select your computer's soundcard as the default device.
- **Windows Vista:** Click **Start Menu** ► **Control Panel** (or Settings ► Control Panel in Classic View) ► **Hardware and Sound** ► **Sound**. Click the **Playback** tab and select your computer's soundcard as the default device.
- **Windows 7:** Click **Start Menu** ► **Control Panel** ► **Sound**. Click the **Playback** tab and select your computer's soundcard as the default device.
- **Windows 8:** From the **Start** menu, click the lower-left corner of the screen to bring yourself to the Desktop. In the bottom-right corner of the Taskbar, locate the Volume Control "Speaker" icon. Right-click the speaker and select **Playback Devices**. The **Windows Sound** control panel should appear set on the **Playback** tab. If your computer's soundcard does not have a green "check mark" symbol next to it, right-click it and select "Set as Default Device".
- **Mac:** Click the upper-left "apple" icon then click **System Preferences** ► **Sound**. Click the **Output** tab. From the menu, select **Internal Speakers** if you are using the computer's internal speakers or select **Headphones** if you are using speakers or headphones attached to the computer's 1/8" headphone output.

BEFORE RETURNING THE PRODUCT, please contact ION Audio or your retailer for technical support. Contact information can be found in the Safety Instruction Booklet included with this product.

ionaudio.com/support

Technical Specifications

Dimensions (Length x Width x Depth):	13.5" x 10" x 4.5"; 343 mm x 254 mm x 114 mm
Weight:	5.9 lbs; 2.7 kg
Power:	USB bus power, rechargeable Lithium Ion battery
Battery Type:	Lithium Ion
Battery Life:	Up to 4 hours
Cartridge Type:	Ceramic
Cartridge and Stylus:	CZ-800-10 (sapphire-tipped) is included, and also available at www.ionaudio.com/products/details/CZ-800-10 . For a 78 stylus, the iCT06rs is available at www.ionaudio.com/ict06rs
USB Power Supply:	5V USB power supply (such as the one included with your smartphone or tablet) with 500 mA or more.

Specifications are subject to change without notice.

Trademarks and Licenses

ION Audio is a trademark of ION Audio, LLC, registered in the U.S. and other countries.

Windows is a registered trademark of Microsoft Corporation in the United States and/or other countries.

Mac is a trademark of Apple, Inc., registered in the U.S.A. and other countries.

The *Bluetooth* word mark and logos are owned by the Bluetooth SIG, Inc. and any use of such marks by ION Audio is under license.

All other product or company names are trademarks or registered trademarks of their respective owners.

Guía de inicio rápido (Español)

Introducción

Contenido de la caja

Asegúrese de que todos los elementos abajo indicados estén incluidos en la caja.

- Vinyl Motion
- Almohadillas antideslizantes de fieltro
- Cable USB
- Adaptador para 45 RPM
- CD de software
- Guía de inicio rápido
- Manual sobre la seguridad y garantía

Información sobre la seguridad

- No lo utilice bajo la lluvia o en lugares húmedos. Utilícelo sólo en lugares secos.
- Utilice el giradiscos solo en una superficie nivelada.
- La tapa del giradiscos debe estar abierta cuando se reproducen discos.
- Cierre la tapa del giradiscos cuando no esté reproduciendo discos.

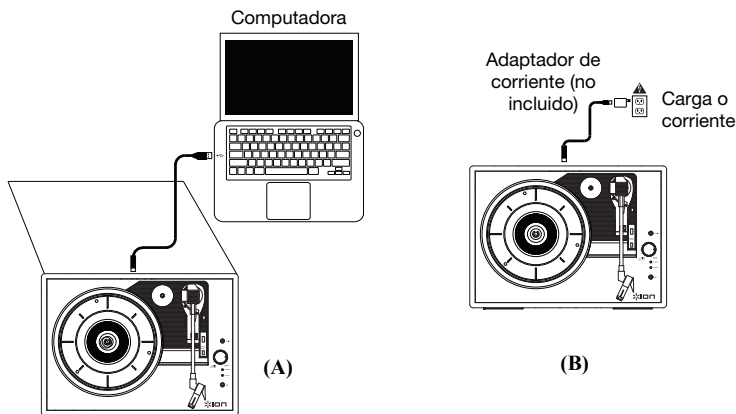
Soporte

Para obtener la información más completa acerca de este product (los requisitos del sistema, compatibilidad, etc) y registro del producto, visite ionaudio.com.

Diagrama de conexión

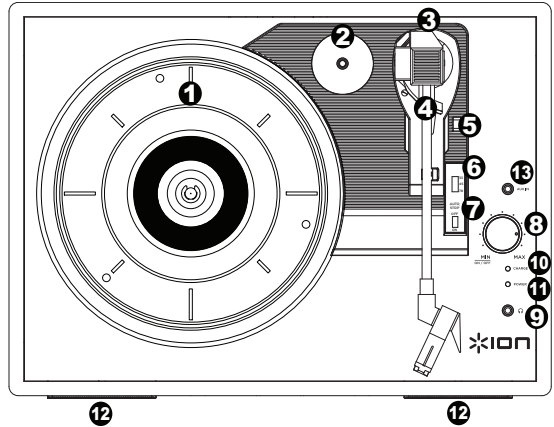
Los elementos que no se enumeran en **Contenido de la caja** se venden por separado.

Use el cable USB incluido para conectar el Vinyl Motion a **(A)** un 5V adaptador de alimentación USB conectado a una toma de corriente o **(B)** su ordenador.



Características

- Plato** – Coloque aquí su disco.
- Soporte del adaptador para 45 RPM** – Sostiene el adaptador para 45 RPM incluido. Cuando no use el adaptador, póngalo en este soporte.
- Brazo** – El brazo fijo se puede subir y bajar a mano o presionando la palanca de subir / bajar.
- Clip del brazo** – Este clip diseñado especialmente fija el brazo mientras está en reposo o no se usa. El clip ha sido diseñado para que permanezca hacia arriba mientras está desbloqueado.
- Palanca de subir / bajar** – Sube y baja el brazo.
- Conmutador de 33 / 45 / 78 RPM** – Este conmutador controla las RPM del plato del giradiscos.



Nota: Para obtener los mejores resultados al reproducir discos de vinilo de 78 RPM, use una púa para 78 (que se vende por separado). Use sólo una púa para 78 con los discos de vinilo de 78 RPM. Adquiera la púa para 78 iCT06rs en ionaudio.com/ict06rs.

- Interruptor de parada automática** – Este interruptor activa y desactiva la parada automática. Cuando la parada automática está activada, el plato comienza a girar cuando el brazo se coloca sobre el disco y se detiene cuando llega al final del mismo. (Si está desactivada, el plato gira siempre, independientemente de la posición del brazo.)

Nota: Si su disco de vinilo se detiene antes de que llegue al final de la música, gire Autostop a la posición de apagado para este registro particular. Esto generalmente se recomienda para discos de 45 RPM.

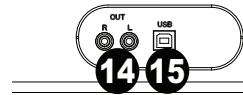
- Perilla de volumen/encendido** – Para encender el Vinyl Motion, gire esta perilla en sentido horario hasta que se escuche un clic. Una vez encendido, utilice esta perilla para ajustar el volumen de los altavoces internos y auriculares. Para apagar el Vinyl Motion, gire esta perilla en sentido antihorario hasta que se escuche un clic.
- Conector para auriculares** – Conecte auriculares (que se venden por separado) para escuchar sus discos de vinilo.
- Indicador de carga de la batería** – El LED se encenderá con luz cuando se esté cargando la batería. El LED se apagará una vez que la batería esté completamente cargada.

- Indicador de encendido** – Este LED se enciende cuando el giradiscos está encendido y se apaga cuando se agota la batería.

- Altavoz** – El audio del disco se reproduce por este altavoz incorporado.
- Entrada auxiliary** – Conecte a esta entrada auxiliar estéreo de 1/8 pulg. un reproductor de CD, un reproductor de medios digitales u otra fuente de audio.
- Salida RCA*** – El audio del disco de vinilo que se está reproduciendo se aplica a esta salida de audio coaxial de nivel de línea. Esta salida no debe conectarse a dispositivos de nivel fonográfico.

Nota: Si su disco de vinilo se detiene antes de llegar al final de la música, gire Autostop a la posición de desactivado para este disco en particular. Esto se recomienda en general para los discos de 45 RPM.

- Puerto USB** – Use el cable USB incluido para conectar el giradiscos a su computadora. La conexión USB envía audio desde el giradiscos a su computadora. Para obtener información, consulte la sección **Cómo usar el Vinyl Motion con su computadora**. Use el cable USB incluido para conectar el Vinyl Motion a un adaptador de alimentación USB conectado a una toma de corriente o su ordenador.



IMPORTANTE: Coloque la almohadilla antideslizante de fieltro incluida sobre el plato y coloque su disco encima de ella para que sus discos queden apoyados cuidadosamente.

IMPORTANTE: Retire la cubierta plástica de la cápsula (cubierta de la púa) antes de hacer funcionar el giradiscos.

***ADVERTENCIA:** Las salidas RCA son para nivel de LÍNEA. Conéctelas sólo a las entradas de nivel de línea (LINE). Puede dañar el receptor si enchufa un dispositivo de nivel de línea en una entrada de nivel fonográfico (PHONO).

Cómo usar el Vinyl Motion con su computadora

Cómo grabar

Para grabar música en su computadora, puede usar el EZ Vinyl/Tape Converter de ION. EZ Vinyl/Tape Converter, ionaudio.com/ezvc, guarda conveniente sus grabaciones en su computadora. Después de terminar de convertir su vinilo, puede quemarlo en CD o cargarlo en dispositivos de medios portátiles.

Para instalar el software, inserte el CD incluido en su computadora y siga las instrucciones de la pantalla.

1. Con EZ Vinyl/Tape Converter instalado en su computadora, use el cable USB incluido para conectar el puerto USB del Vinyl Motion a un puerto USB disponible de su computadora.
2. En su computadora, puede abrir EZ Vinyl/Tape Converter yendo al **menú Start ► All Programs** (Inicio ► Todos los programas) (Windows) o al menú **Applications** (Aplicaciones) (Mac).
3. Siga las instrucciones de la pantalla para preparar su grabación. Cuando se le indique que reproduzca su música, lleve el brazo del Vinyl Motion sobre el disco para iniciar la reproducción.

Nota: Para escuchar el disco mientras se reproduce, óigalo por los altavoces de su computadora o conecte las salidas RCA del Vinyl Motion a un sistema estéreo o altavoces alimentados. **No** las conecte a entradas de nivel fonográfico —las salidas RCA del Vinyl Motion son de nivel de línea y podrían dañar un dispositivo con entradas de nivel fonográfico.

4. Cuando termine de grabar, levante el brazo del Vinyl Motion del disco y colóquelo en su clip.

Visite ionaudio.com/computer-optimization para más información sobre la optimización de su computadora para audio.

Reproducción

¡Hay 3 maneras de escuchar sus discos de vinilo con Vinyl Motion:

1. Puede escuchar simplemente su música con los altavoces internos de Vinyl Motion.
2. Si prefiere usar sus propios altavoces estéreo, puede conectar las salidas RCA de Vinyl Motion a un sistema estéreo o a altavoces alimentados. No las conecte a entradas de nivel fonográfico —las salidas RCA del Vinyl Motion son de nivel de línea y podrían dañar un dispositivo con entradas de nivel fonográfico. (Cualquier otro tipo de entrada estándar, tal como CD, entrada Aux o Cinta, es aceptable).
3. Puede escuchar a través de los altavoces de su ordenador o auriculares conectados al mismo, una vez que el dispositivo de entrada de la placa de sonido de su ordenador se configure como *USB PnP Audio Device* (Dispositivo de audio USB PnP) o *USB Audio Device*, (Dispositivo de audio USB) dependiendo de su sistema operativo (Windows (USB PnP Audio Device para Mac OS X) y de si está grabando y monitorizando con el software EZ Vinyl/Tape Converter o similar (el Vinyl Motion no puede utilizarse como dispositivo de reproducción para el audio de su ordenador). Consulte la sección *Cómo configurar la placa de sonido de su ordenador como dispositivo de reproducción por defecto* para más detalles acerca de cómo configurar la reproducción del sonido.

Solución de problemas

Si experimenta alguna dificultad, consulte los pasos de solución de problemas que se indican a continuación, como también el manual de EZ Vinyl/Tape Converter incluido con este producto.

Si está grabando en una **computadora**:

- Asegúrese de que el Motion esté encendido y que la púa esté sobre el disco.
- Haga que el Vinyl Motion esté seleccionado como dispositivo de grabación predeterminado de su computadora (consulte las instrucciones de más abajo).
- Si está escuchando por los altavoces de la computadora, asegúrese de que estos estén seleccionados como dispositivo de reproducción predeterminado de la misma (consulte las instrucciones de más abajo). Como alternativa, puede conectar las salidas RCA del Vinyl Motion a un sistema estéreo o altavoces alimentados. **No** las conecte a entradas de nivel fonográfico —las salidas RCA del Vinyl Motion son de nivel de línea y podrían dañar un dispositivo con entradas de nivel fonográfico. (**Nota:** Las salidas RCA monitorean la señal proveniente del giradiscos y no la señal proveniente de su computadora.)
- Desconecte y vuelva a conectar el cable USB entre el Vinyl Motion y la computadora.

No oigo ningún audio cuando reproduzco la música:

- Si está reproduciendo la música de un **vinilo**:
 - Asegúrese de que el Vinyl Motion esté encendido y que la púa esté sobre el disco.
 - Conecte las salidas RCA del Vinyl Motion a un sistema estéreo o altavoces alimentados. (**No** las conecte a entradas de nivel fonográfico —las salidas RCA del Vinyl Motion son de nivel de línea y podrían dañar un dispositivo con entradas de nivel fonográfico.)
- Si está reproduciendo la música de la **computadora**:
 - Asegúrese de que el volumen del reproductor de música del software esté ajustado a un valor alto.
 - Asegúrese de que el volumen de su computadora esté ajustado a un valor alto.
 - Asegúrese de que los altavoces de su computadora estén seleccionados como dispositivo de reproducción predeterminado de la misma (consulte las instrucciones de más abajo). (El Vinyl Motion no se puede usar como dispositivo de reproducción para el audio de su computadora.)

Oigo un zumbido en mi altavoz o portátil cuando se usa el giradiscos:

- Si está grabando en una laptop:
 - Conecte la laptop a un suministro eléctrico con conexión a tierra (de 3 patas)
- Si está reproduciendo por un altavoz:
 - Conecte el equipo a un suministro eléctrico con conexión a tierra (de 3 patas).

Mi disco no se reproduce a la velocidad correcta. Su tono es demasiado alto o bajo:

- Asegúrese de que el interruptor 33 / 45 / 78 esté colocado en la velocidad correcta para su disco.

Mi disco golpea contra el borde de la tapa superior:

- Utilice una almohadilla antideslizante para elevar sus discos lo suficiente para superar la tapa superior.

Cómo configurar el Vinyl Motion como dispositivo de grabación predeterminado

- **Windows XP:** Haga clic en el **menú Start ▶ Control Panel** (Inicio ▶ Panel de control (o Settings ▶ Control Panel (Configuración ▶ Panel de control) en la vista clásica) ▶ **Sound and Audio Devices** (Dispositivos de sonido y audio). Haga clic en la pestaña **Audio** y bajo **Sound recording** (Grabación de sonido), seleccione el **Dispositivo de audio USB PnP** como dispositivo predeterminado.
- **Windows Vista:** Haga clic en el **menú Start ▶ Control Panel** (Inicio ▶ Panel de control) (o Settings ▶ Control Panel (Configuración ▶ Panel de control) en la vista clásica) ▶ **Hardware and Sound** ▶ (Hardware y sonido) **Sound** (Sonido). Haga clic en la pestaña **Recording** (Grabación) y seleccione el **Dispositivo de audio USB PnP** como dispositivo predeterminado.
- **Windows 7:** Haga clic en el **menú Start ▶ Control Panel ▶ Sound** (Inicio ▶ Panel de control ▶ Sonido). Haga clic en la pestaña **Recording** (Grabación) y seleccione el **Dispositivo de audio USB PnP** como dispositivo predeterminado.
- **Windows 8:** Desde el menú **Start** (Inicio), haga clic en la esquina inferior izquierda de la pantalla para entrar al escritorio. En la esquina inferior derecha de la barra de tareas, localice el icono del "Altavoz" de control de volumen. Haga clic derecho en el altavoz y seleccione **Playback Devices** (Dispositivos de reproducción). En el panel de control **Windows Sound** (Sonido de Windows), seleccione la pestaña **Recording** (Grabación). Si **Dispositivo de audio USB PnP** no tiene el símbolo de la "marca de verificación" verde junto a él, haga clic derecho en el mismo y seleccione **Set as Default Device** (Configurar como dispositivo predeterminado).
- **Mac:** Haga clic en el icono superior izquierdo de la "manzana" y luego en **System Preferences ▶ Sound** (Preferencias del sistema ▶ Sonido). Haga clic en la pestaña **Input** (Entrada). En el menú, seleccione el **Dispositivo de audio USB PnP** como dispositivo.

Cómo configurar la tarjeta de sonido de su computadora como dispositivo de reproducción predeterminado

- **Windows XP:** Haga clic en el **menú Start ▶ Control Panel** (Inicio ▶ Panel de control (o Settings ▶ Control Panel (Configuración ▶ Panel de control) en la vista clásica) ▶ **Sound and Audio Devices** (Dispositivos de sonido y audio). Haga clic en la pestaña **Audio** y bajo **Sound playback** (Reproducción de sonido), seleccione la tarjeta de sonido de su computadora como dispositivo predeterminado.
- **Windows Vista:** Haga clic en el **menú Start ▶ Control Panel** (Inicio ▶ Panel de control (o Settings ▶ Control Panel (Configuración ▶ Panel de control) en la vista clásica) ▶ **Hardware and Sound ▶ (Hardware y sonido) Sound** (Sonido). Haga clic en la pestaña **Playback** (Reproducción) y seleccione la tarjeta de sonido de su computadora como dispositivo predeterminado.
- **Windows 7:** Haga clic en el **menú Start ▶ Control Panel ▶ Sound** (Inicio ▶ Panel de control ▶ Sonido). Haga clic en la pestaña **Playback** (Reproducción) y seleccione la tarjeta de sonido de su computadora como dispositivo predeterminado.
- **Windows 8:** Desde el **menú Start** (Inicio), haga clic en la esquina inferior izquierda de la pantalla para entrar al escritorio. En la esquina inferior derecha de la barra de tareas, localice el icono del "Altavoz" de control de volumen. Haga clic derecho en el altavoz y seleccione **Playback Devices** (Dispositivos de reproducción). El panel de control **Windows Sound** (Sonido de Windows) debe aparecer ubicado en la pestaña **Playback** (Reproducción). Si la tarjeta de sonido de su computadora no tiene el símbolo de la "marca de verificación" verde junto a ella, haga clic derecho en la misma y seleccione **Set as Default Device** (Configurar como dispositivo predeterminado).
- **Mac:** Haga clic en el icono superior izquierdo de la "manzana" y luego en **System Preferences ▶ Sound** (Preferencias del sistema ▶ Sonido). Haga clic en la pestaña **Output** (Salida). En el menú, seleccione **Internal Speakers** (Altavoces internos) si va a usar los altavoces internos de la computadora o **Headphones** (Auriculares) si va a usar altavoces o auriculares conectados a la salida para auriculares de 1/8" de la computadora.

ANTES DE DEVOLVER EL PRODUCTO, comuníquese con Ion Audio o con su vendedor minorista para solicitar soporte técnico. La información de contacto se encuentra en el folleto de instrucciones de seguridad incluido con este producto.

ionaudio.com/support

Especificaciones técnicas

Dimensiones (Largo x Ancho x Alto)	343 mm x 254 mm x 114 mm 13.5" x 10" x 4.5"
Peso	2.7 kg 5.9 lbs
Alimentation	Alimentado por bus USB o batería de ion litio recargable
Potencia de salida	batería de ion litio
Vida útil de la batería	Hasta 4 horas
Tipo de cápsula	Cerámica
Cápsula y púa	Se incluye una CZ-800-10 (con punta de zafiro), la cual también está disponible en www.ionaudio.com/products/details/CZ-800-10 . Para una púa de 78, la iCT06rs está disponible en www.ionaudio.com/ict06rs
Fuente de alimentación USB	Fuente de corriente USB de 5 V (tal como la que se incluye con su teléfono inteligente [smartphone] o tableta) de 500 mA o más.

Especificaciones sujetas a cambio sin previo aviso.

Guide d'utilisation rapide (Français)

Introduction

Contenu de la boîte

Assurez-vous que tous les articles énumérés dans le contenu de la boîte de ce guide sont inclus dans la boîte:

- Vinyl Motion
- Tapis en feutre
- Câble USB
- Adaptateur 45 t/min
- CD logiciel
- Guide d'utilisation rapide
- Consignes de sécurité et informations concernant la garantie

Consignes de sécurité

- Ne pas utiliser sous la pluie ou dans des endroits humides. Utiliser seulement dans des endroits secs.
- Placer la platine tourne-disque uniquement sur une surface au niveau.
- Le couvercle de la platine tourne-disque doit être ouvert lors de la lecture des disques.
- Le couvercle de la platine tourne-disque doit être fermé lorsqu'elle n'est pas utilisée.

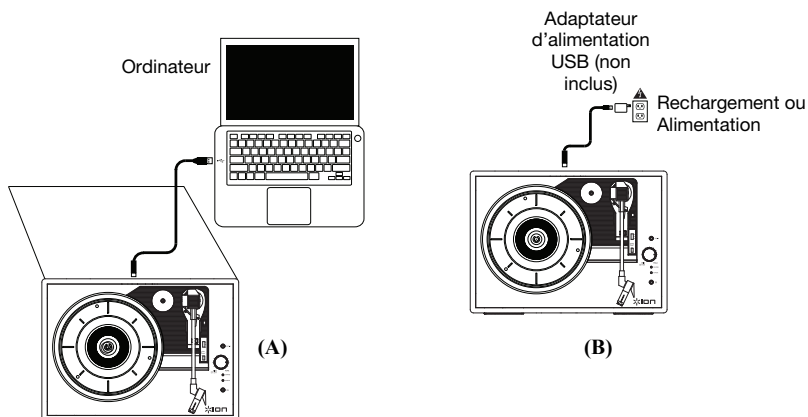
Assistance

Pour les dernières informations concernant ce produit (la configuration système minimale requise, la compatibilité, etc) et l'enregistrement du produit, veuillez visitez le site ionaudio.com.

Schéma de connexion

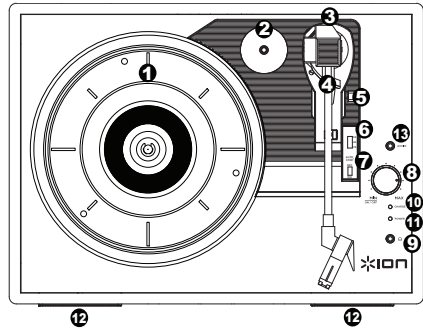
Les éléments qui ne figurent pas dans le **Contenu de la boîte** sont vendus séparément.

Utilisez le câble USB inclus afin de brancher le Vinyl Motion à **(A)** un 5V adaptateur d'alimentation USB branché à une prise secteur, ou **(B)** à un ordinateur.



Caractéristiques

1. **Plateau** – Veuillez placer le disque sur ce plateau.
2. **Rangement pour adaptateur 45 tr/min** – Il permet de ranger l'adaptateur 45 tr/min lorsqu'il n'est pas utilisé. Lorsqu'il n'est pas utilisé, veuillez mettre l'adaptateur dans cet emplacement.
3. **Bras de lecture** – Le bras de lecture peut être lever ou abaisser manuellement ou en utilisant le bouton du levier de commande.
4. **Serre-bras** – Ce serre bras est conçu spécialement afin de maintenir en place le bras de lecture lorsque la platine n'est pas utilisée. Le serre-bras a été conçu pour rester en position élevée lorsqu'il est déverrouillé.
5. **Levier de commande** – Permet de lever ou d'abaisser le bras de lecture.
6. **Sélecteur de vitesse (33/45/78)** – Ce sélecteur régit la vitesse de rotation du plateau.



- Remarque :** Pour de meilleurs résultats lors de la lecture de disques vinyles de 78 tours, utilisez une pointe de lecture 78 (vendu séparément). Utilisez uniquement une pointe de lecture 78 pour les disques vinyles de 78 tours. Vous pouvez acheter une pointe de lecture iCT06rs 78 sur le site ionaudio.com/ict06rs.

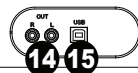
7. **Autostop** – Ce commutateur permet d'activer et de désactiver la fonction autostop. Lorsqu'elle est activée, le plateau commence à tourner dès que le bras de lecture est placé au-dessus du disque et s'arrête lorsque l'aiguille a atteint la fin du disque. (Lorsqu'elle est désactivée, le plateau tourne, peu importe l'emplacement du bras de lecture.)

Remarque : Si votre disque vinyle se arrête avant qu'il ne atteigne la fin de la musique, tournez Autostop en position d'arrêt pour ce dossier en particulier. Ce est généralement recommandé pour 45 tours.

8. **Interrupteur de mise en Marche/Arrêt/Volume** – Afin de mettre Vinyl Motion sous tension, tournez ce bouton dans le sens des aiguilles d'une montre jusqu'à ce qu'un clic se fasse entendre. Lorsque la platine tourne-disque est sous tension, utilisez ce bouton pour régler le volume des haut-parleurs internes et du casque d'écoute. Afin de mettre le Vinyl Motion hors tension, veuillez tourner ce bouton dans le sens antihoraire jusqu'à ce qu'un clic se fasse entendre.
9. **Sortie casque** – Branchez un casque d'écoute (vendus séparément) pour écouter l'audio provenant du disque vinyle.
10. **Indicateur de charge de la batterie** – La DEL devient lors du rechargement de la batterie. Une fois la pile complètement rechargée, la DEL s'éteint.
11. **DEL d'alimentation** – Cette DEL s'allume lorsque l'appareil est sous tension et lorsque la batterie est déchargée.
12. **Haut-parleur** – Le signal audio provenant du disque se joué par ce haut-parleur intégré.
13. **Entrée auxiliaire** – Cette entrée stéréo 3,5 mm permet de brancher un lecteur de disques compacts, un lecteur multimédia ou autres sources audio.
14. **Sortie RCA*** – L'audio provenant du disque vinyle est envoyé à cette sortie audio coaxiale à niveau ligne. Elle ne doit pas être branchée aux appareils phono.

Remarque : Si le disque s'arrête avant la fin de la musique, désactivez la fonction Autostop pour cet enregistrement. Ceci est généralement recommandé pour les disques de 45 tours.

15. **Port USB** – Utilisez le câble USB inclus pour brancher la platine tourne-disque à un ordinateur. La connexion USB permet d'acheminer l'audio de la platine tourne disque à votre ordinateur. Veuillez consulter la section **Utilisation du Vinyl Motion avec un ordinateur** de ce manuel pour de plus amples informations. Utilisez le câble USB inclus afin de brancher le Vinyl Motion à un adaptateur d'alimentation USB branché à une prise secteur, ou à un ordinateur.



IMPORTANT : Placez le tapis de feutrine fourni sur le plateau ; placez ensuite votre disque sur le tapis pour maintenir en place vos disques.

IMPORTANT : Retirez le couvercle de plastique de la cartouche (protège aiguille) avant d'utiliser la platine.

***MISE EN GARDE :** Les sorties RCA sont à niveau ligne. Veuillez ne les brancher à des entrées à niveau ligne. Vous pourriez endommager votre récepteur si un appareil À NIVEAU LIGNE est branché à une entrée PHONO.

Utilisation du Vinyl Motion avec un ordinateur

Enregistrement

Pour enregistrer de la musique sur votre ordinateur, vous pouvez utiliser l'application EZ Vinyl/Tape Converter de ION, ionaudio.com/ezvc. Le EZ Vinyl/Tape Converter permet de sauvegarder vos enregistrements dans sur votre ordinateur. Une fois la conversion du vinyle terminée, vous pouvez graver les fichiers sur CD ou les transférer sur des lecteurs multimédia.

Insérez le CD d'installation de l'application dans votre ordinateur, puis suivez les instructions à l'écran pour continuer l'installation.

1. Une fois l'application EZ Vinyl/Tape Converter installée sur votre ordinateur, connectez le port USB du Vinyl Motion au port USB de votre ordinateur à l'aide du câble USB inclus.
2. Sur votre ordinateur, vous pouvez lancer l'application EZ Vinyl/Tape Converter en allant dans le menu **Démarrer** ► **Tous les programmes** (Windows) ou dans le menu **Applications** (Mac).
3. Suivez ensuite les instructions à l'écran afin de configurer l'enregistrement. Lorsque vous êtes invité à faire jouer votre musique, déplacez le bras de lecture du Vinyl Motion sur le disque afin de démarrer la lecture.

Remarque : Pour écouter un disque durant la lecture, vous pouvez utiliser les haut-parleurs de votre ordinateur, ou encore brancher les sorties RCA du Vinyl Motion à une chaîne stéréo ou à des haut-parleurs. **Ne tentez pas** de les brancher à des entrées phono; les sorties RCA du Vinyl Motion sont à niveau ligne et pourraient endommager un appareil phono.

4. Une fois l'enregistrement terminé, soulevez le bras de lecture et remettez-le sur le serre-bras.

Visitez le site ionaudio.com/computer-optimization afin obtenir plus d'information sur comment optimiser votre ordinateur pour une meilleure qualité audio.

Lecture

Il y a 3 façons d'écouter les disques vinyles avec Vinyl Motion :

1. Vous pouvez tout simplement écouter votre musique en utilisant les haut-parleurs internes du Vinyl Motion.
2. Si vous préférez utiliser vos propres enceintes stéréo, branchez les sorties RCA du Vinyl Motion à un système stéréo ou à des enceintes amplifiées. (Ne tentez pas de les brancher à des entrées phono, car les sorties RCA du Vinyl Motion sont à niveau ligne et cela pourraient endommager un appareil phono (tout autre type d'entrée standard, comme CD, auxiliaire et cassette est acceptable).
3. Une fois que le périphérique d'entrée de la carte son de votre ordinateur a été défini sur *Périphérique audio USB PnP* ou *Périphérique audio USB*, selon votre système d'exploitation Windows (*Périphérique audio USB* sur Mac OS X), vous pouvez écouter le signal audio que vous contrôlez-enregistrez en utilisant le EZ Vinyl/Tape Converter ou un logiciel similaire par le biais de vos haut-parleurs d'ordinateur (ou un casque relié à votre ordinateur). Le Vinyl Motion ne peut être utilisé comme périphérique de lecture audio pour votre ordinateur. Veuillez consulter la section *Configuration de la carte son de l'ordinateur comme périphérique de lecture audio par défaut* pour plus de détails.

Guide de dépannage

Si vous éprouvez des difficultés, veuillez consulter les consignes de dépannage ci-dessous ainsi que celles dans le guide du EZ Vinyl/Tape Converter inclus avec ce produit.

Si vous enregistrez sur un **ordinateur** :

- Assurez-vous que le Vinyl Motion est allumé et que l'aiguille est bien sur le disque.
- Assurez-vous que le Vinyl Motion est sélectionné comme périphérique d'enregistrement par défaut de votre ordinateur (voir les instructions ci-dessous).
- Si vous écoutez la musique via les haut-parleurs de votre ordinateur, assurez-vous que ces haut-parleurs sont sélectionnés comme dispositif de lecture par défaut de votre ordinateur (voir les instructions ci-dessous). Vous pourriez également brancher les sorties RCA du Vinyl Motion à une chaîne stéréo ou à des haut-parleurs. **Ne tentez pas** de les brancher à des entrées phono; les sorties RCA du Vinyl Motion sont à niveau ligne et pourraient endommager un appareil phono. (**Remarque** : Les sorties RCA contrôlent le signal sortant de la platine tourne-disque, mais pas le signal provenant de votre ordinateur).
- Essayez de débrancher le câble USB branché au Vinyl Motion et à votre ordinateur, puis de le rebrancher.

Je n'entends pas de signal audio lors de la lecture :

- Si vous faites la lecture à partir d'un **vinyle** :
 - Assurez-vous que le Vinyl Motion est allumé et que l'aiguille est bien sur le disque.
 - Branchez les sorties RCA du Vinyl Motion à une chaîne stéréo ou à des haut-parleurs. (**Ne tentez pas** de les brancher à des entrées phono; les sorties RCA du Vinyl Motion sont à niveau ligne et pourraient endommager un appareil phono.
- Si vous faite la lecture à partir de votre **ordinateur** :
 - Assurez-vous que le niveau du volume de l'application soit assez élevé.
 - Assurez-vous que le niveau du volume de l'ordinateur soit assez élevé.
 - Assurez-vous que les haut-parleurs de votre ordinateur soient sélectionnés comme dispositif de lecture par défaut de votre ordinateur (voir les instructions ci-dessous). (Le Vinyl Motion ne peut être utilisé comme périphérique de lecture pour votre ordinateur.)

Il y a un bourdonnement provenant de mon haut-parleur, ordinateur portable ou appareil iOS lorsque j'utilise la platine tourne-disque :

- Si vous enregistrez sur un ordinateur :
 - Veuillez brancher l'ordinateur à un câble d'alimentation avec mise à la terre (3 broches).
- Si vous utilisez un haut-parleur :
 - Veuillez brancher le haut-parleur à un câble d'alimentation avec mise à la terre (3 broches).

Mon disque ne joue pas à la bonne vitesse, la tonalité est trop haute ou trop basse :

- Veuillez vous assurer que le sélecteur de vitesse 33 / 45 / 78 est réglé sur la bonne vitesse pour votre enregistrement.

Le disque frappe le rebord du panneau supérieur :

- Utilisez le tapis de feutrine en tout temps pour élever les disques juste assez afin qu'ils ne frappent pas le rebord du panneau supérieur.

Configurez le Vinyl Motion comme l'appareil d'enregistrement par défaut

- **Windows XP** : Cliquez sur **Démarrer** ► **Panneau de configuration** (ou **Paramètres** ► **Panneau de configuration** en Affichage classique) ► **Sons et périphériques audio**. Cliquez sur l'onglet **Audio** et sélectionnez **Périphériques audio USB PnP** par défaut.
- **Windows Vista** : Cliquez sur **Démarrer** ► **Panneau de configuration** (ou **Paramètres** ► **Panneau de configuration** en Affichage classique) ► **Matériel et audio** ► **Son**. Cliquez sur l'onglet **Enregistrement** et sélectionnez **Périphériques audio USB PnP** par défaut.
- **Windows 7** : Cliquez sur **Démarrer** ► **Panneau de configuration** ► **Son**. Cliquez sur l'onglet **Enregistrement** et sélectionnez **Périphériques audio USB PnP** par défaut.
- **Windows 8** : Dans le menu **Démarrer**, cliquez sur le coin inférieur gauche de l'écran pour afficher le bureau. Dans le coin inférieur droit de la barre des tâches, recherchez l'icône de la commande de volume « haut-parleur ». Faites un clic droit sur l'icône du haut-parleur et sélectionnez **Périphériques de lecture**. L'onglet **Enregistrement** du panneau de configuration **Sons** doit apparaître comme étant configuré. Si **Périphériques audio USB PnP** ne dispose pas d'un crochet, faites un clic droit et sélectionnez **Définir comme périphérique par défaut**.
- **Mac** : Cliquez sur la pomme (logo Apple) située dans le coin supérieur gauche de l'écran et sélectionnez **Préférences Système** ► **Sons**. Cliquez sur l'onglet **Éntree**. À partir du menu, sélectionnez **Périphériques audio USB PnP**.

Configuration de la carte son de l'ordinateur comme périphérique de lecture audio par défaut

- **Windows XP** : Cliquez sur **Démarrer** ► **Panneau de configuration** (ou **Paramètres** ► **Panneau de configuration** en Affichage classique) ► **Sons et périphériques audio**. Cliquez sur l'onglet **Audio** et sélectionnez la carte son de l'ordinateur comme périphérique de lecture audio par défaut.
- **Windows Vista** : Cliquez sur **Démarrer** ► **Panneau de configuration** (ou **Paramètres** ► **Panneau de configuration** en Affichage classique) ► **Matériel et audio** ► **Son**. Cliquez sur l'onglet **Lecture** et sélectionnez la carte son de l'ordinateur comme périphérique de lecture audio par défaut.
- **Windows 7** : Cliquez sur **Démarrer** ► **Panneau de configuration** ► **Son**. Cliquez sur l'onglet **Lecture** et sélectionnez la carte son de l'ordinateur comme périphérique de lecture audio par défaut.
- **Windows 8** : Dans le menu **Démarrer**, cliquez sur le coin inférieur gauche de l'écran pour afficher le bureau. Dans le coin inférieur droit de la barre des tâches, recherchez l'icône de la commande de volume « haut-parleur ». Faites un clic droit sur l'icône du haut-parleur et sélectionnez **Périphériques de lecture**. L'onglet **Lecture** du panneau de configuration **Sons** doit apparaître comme étant configuré. Si la carte son de votre ordinateur ne dispose pas d'un crochet, faites un clic droit et sélectionnez **Définir comme périphérique par défaut**.
- **Mac** : Cliquez sur la pomme (logo Apple) située dans le coin supérieur gauche de l'écran et sélectionnez **Préférences Système** ► **Sons**. Cliquez sur l'onglet **Sortie**. À partir du menu, sélectionnez **Haut-parleurs internes** si vous utilisez les haut-parleurs internes de l'ordinateur, ou sélectionnez **Écouteurs** si vous utilisez des haut-parleurs ou un casque d'écoute branchés à la sortie casque (1/8 po) de votre ordinateur.

AVANT DE RETOURNER CE PRODUIT, veuillez communiquer avec le service technique de ION Audio ou votre détaillant pour de l'assistance. Vous trouverez les coordonnées pour nous rejoindre dans le livret des Consignes de sécurité inclus avec ce produit.

ionaudio.com/support

Spécifications techniques

Dimensions (longueur x largeur x hauteur)	343 mm x 254 mm x 114 mm 13,5 po x 10 po x 4,5 po
Poids:	2,7 kg 5,9 lbs
Alimentation	Alimentation par bus USB ou batterie au lithium-ion rechargeable
Type de batterie	batterie au lithium-ion
Autonomie de la batterie	Jusqu'à 4 heures
Type de cartouche	Céramique
Cartouche et aiguille	CZ-8000-10 avec pointe de lecture en saphir incluse. Vous pouvez vous procurer une cartouche de rechange sur le site www.ionaudio.com/products/details/CZ-800-10 . Pour une pointe de lecture 78 tours, vous pouvez vous procurer une cartouche iCT06rs sur le site www.ionaudio.com/ict06rs
Câble d'alimentation USB	Câble d'alimentation USB de 5 V (comme celui fourni avec votre smartphone ou tablette) d'au moins 500 mA.

Toutes les spécifications sont susceptibles d'être modifiées sans préavis.

Guida rapida (Italiano)

Introduzione

Contenuti della confezione

Assicurarsi che gli elementi elencati di seguito siano contenuti nella confezione:

- Vinyl Motion
- Tappetino in feltro
- Cavo USB
- Adattatore 45 giri
- CD recante il software
- Guida rapida
- Istruzioni di sicurezza e garanzia

Indicazioni di sicurezza

- Non utilizzare il prodotto sotto la pioggia o in ambienti bagnati. Utilizzare il prodotto unicamente in luoghi asciutti.
- Usare il giradischi solo su una superficie uniforme.
- Quando si suonano i dischi, il coperchio del giradischi deve essere aperto.
- Chiudere il coperchio del giradischi quando non si stanno riproducendo dischi.

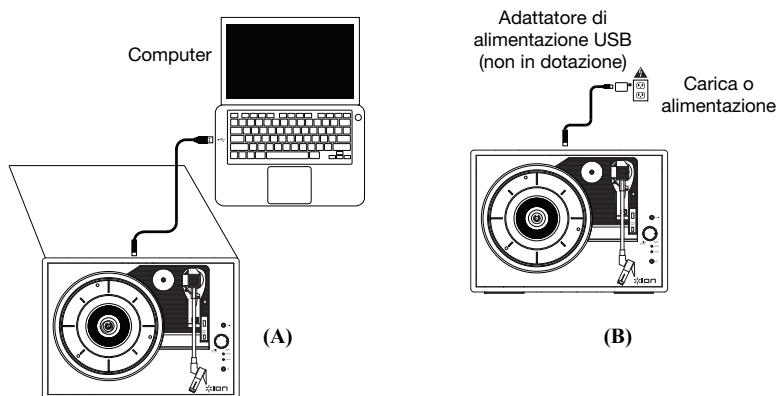
Assistenza

Per conoscere le ultime informazioni in merito a questo prodotto (i requisiti di sistema complete, compatibilità, ecc) e per la registrazione del prodotto, recarsi alla pagina ionaudio.com.

Schema dei collegamenti

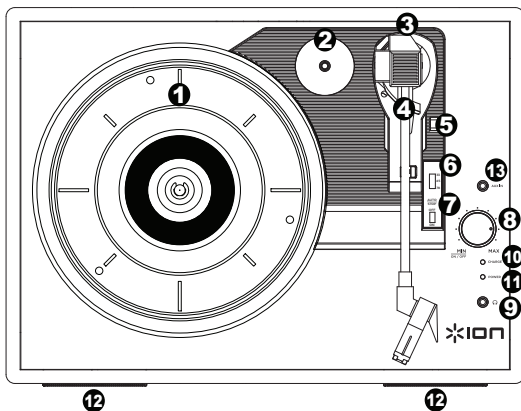
Elementi non elencati sotto **Contenuti della confezione** sono venduti separatamente.

Servirsi del cavo USB in dotazione per collegare il Vinyl Motion a **(A)** un 5V adattatore di alimentazione USB collegato a una presa elettrica o **(B)** al computer.



Caratteristiche

- Piatto** – Il disco va collocato qui.
- Supporto adattatore 45 giri** – Regge l'incluso adattatore per 45 giri. Quando l'adattatore non è in uso, può essere collocato a questo livello.
- Braccio** – Il braccio fisso può essere alzato e abbassato a mano, oppure premendo la levetta di sollevamento / abbassamento.
- Fermabraccio** – Questo fermabraccio dal design speciale fissa il braccio quando è a riposo o quando non è in uso. Il fermabraccio è stato progettato in modo da restare sollevato quando sbloccato.
- Levetta di sollevamento / abbassamento** – Alza e abbassa il braccio.



- Interruttore 33 / 45 / 78 giri** – Questo interruttore regola i GIRI del piatto dei giradischi.

Nota bene: per i migliori risultati durante la riproduzione di dischi in vinile a 78 giri, servirsi di una puntina 78 (venduta separatamente). Servirsi unicamente di una puntina 78 con dischi in vinile a 78 giri. Acquistare la puntina 78 iCT06rs sulla pagina ionaudio.com/ict06rs.

- Interruttore Autostop** – Questo interruttore accende o spegne la funzione di arresto automatico. Quando la funzione "autostop" è attiva, il piatto inizia a girare quando il braccio è posato sul disco e smette di girare quando il disco arriva alla fine. (Quando la funzione autostop è disattiva, il piatto continuerà a girare, indipendentemente dalla posizione del braccio.)

Nota: Se il vostro record di vinile si ferma prima di raggiungere il fine della musica, ruotare Autostop in posizione off per questo particolare record. Questo è generalmente consigliato per 45 giri.

- Manopola Volume/Power** – Per accendere il Vinyl Motion girare questa manopola in senso orario fino allo scatto. Quando il prodotto è acceso, servirsi di questa manopola per regolare il volume degli altoparlanti interni e delle cuffie. Per spegnere il Vinyl Motion, girare questa manopola in senso antiorario fino allo scatto.

- Jack cuffie** – Collegare le cuffie (vendute separatamente) a questo livello per ascoltare la riproduzione dei propri vinili.

- Indicatore di carica della batteria** – Durante la ricarica della batteria, il LED si illumina. Il LED si spegne una volta che la batteria è carica.

- Indicatore di alimentazione** – Questo LED si illumina quando l'alimentazione è accesa e si spegne quando la batteria è scarica.

- Altoparlante** – L'audio del disco verrà riprodotto attraverso questo altoparlante incorporato.

- Ingresso Aux** – collegare un lettore CD, un lettore di media digitali o altre fonti audio a questo ingresso ausiliario stereo da 1/8".

- Uscita RCA*** – L'audio di un vinile riprodotto è inviato a questa uscita audio coassiale a livello di linea. Questa non va collegata a dispositivi a livello phono.

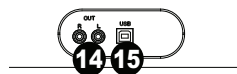
Nota bene: se il vinile si ferma prima di raggiungere la fine della musica, spegnere la funzione Autostop per quel particolare disco. Di solito, ciò è consigliato per i dischi a 45 giri.

- Porta USB** – Servirsi del cavo USB in dotazione per collegare il giradischi al computer. Il collegamento USB invierà audio dal giradischi al computer. Si veda il paragrafo **Uso di Vinyl Motion con il computer** di questo manuale per maggiori informazioni. Servirsi del cavo USB in dotazione per collegare il Vinyl Motion a un adattatore di alimentazione USB collegato a una presa elettrica o al computer.

IMPORTANTE: collocare il tappetino in feltro in dotazione sul piatto; quindi posizionare il disco sul tappetino in modo che venga retto in maniera accurata.

IMPORTANTE: rimuovere il cappuccio della cartuccia (copripuntina) prima di utilizzare il giradischi.

***AVVERTENZA:** le uscite RCA sono a livello di LINEA. Collegarle unicamente a ingressi a livello di LINEA. Si rischia di danneggiare il ricevitore collegando un dispositivo a livello di LINEA in un ingresso PHONO.



Uso di Vinyl Motion con il computer

Registrazione

Per registrare musica sul computer, è possibile utilizzare l'ION EZ Vinyl/Tape Converter. L'EZ Vinyl/Tape Converter, ionaudio.com/ezvc, salva comodamente le registrazioni sul computer. Una volta terminato di convertire il vinile, lo si può masterizzare su un CD o caricare su dispositivi media portatili.

Per installare il software, inserire il CD in dotazione nel computer e seguire le istruzioni su schermo.

1. Una volta installato l'EZ Vinyl/Tape Converter sul computer, servirsi del cavo USB in dotazione per collegare la porta USB di Vinyl Motion ad una porta USB disponibile del computer.
2. Sul computer, è possibile aprire l'EZ Vinyl/Tape Converter recandosi su **Start ► Tutti i programmi** (Windows) o su **Applicazioni** (Mac).
3. Seguire le istruzioni su schermo per configurare la registrazione. Quando viene richiesto di riprodurre la musica, muovere il braccio di Vinyl Motion sul disco per iniziare la riproduzione.

Nota bene: per ascoltare un disco mentre viene riprodotto, servirsi degli altoparlanti del computer o collegare le uscite RCA di Vinyl Motion a un impianto stereo o a delle casse. **Non** collegarle a ingressi a livello phono: le uscite RCA di Vinyl Motion sono a livello di linea e potrebbero danneggiare un dispositivo con ingressi a livello phono.

4. Una volta terminato di registrare, alzare il braccio di Vinyl Motion dal disco e riportarlo sul poggibraccio.

Per maggiori informazioni su come ottimizzare il computer per l'audio, recarsi alla pagina ionaudio.com/computer-optimization.

Riproduzione

Ci sono 3 modi per ascoltare i propri dischi in vinile con il Vinyl Motion:

1. Si può ascoltare la musica servendosi semplicemente degli altoparlanti interni del Vinyl Motion.
2. Se invece si preferisce utilizzare i propri altoparlanti stereo, è possibile collegare le uscite RCA del Vinyl Motion a un impianto stereo o agli altoparlanti. Non collegarli a ingressi a livello phono; le uscite RCA del Vinyl Motion sono a livello di linea e potrebbero danneggiare un dispositivo dotato di ingressi a livello phono (qualsiasi altro tipo di ingresso standard quale CD, Aux In o Tape è accettabile).
3. Si può procedere all'ascolto tramite gli altoparlanti del computer o con delle cuffie collegate al computer, una volta che il dispositivo di ingresso della scheda audio del computer è stato impostato su *USB PnP Audio Device* o *USB Audio Device*, a seconda del proprio sistema operativo Windows (USB PnP Audio Device su Mac OS X) e che si sta registrando-monitorando l'audio utilizzando l'EZ Vinyl/Tape Converter o un software simile (il Vinyl Motion non può essere utilizzato come dispositivo di riproduzione dell'audio del computer). Si veda il paragrafo "*Impostazione della scheda audio del computer quale dispositivo di riproduzione predefinito*" per maggiori dettagli su come configurare la riproduzione audio.

Risoluzione di problemi

In caso di problemi, fare riferimento alle fasi di risoluzione dei problemi indicate qui di seguito, nonché a quanto indicato nel manuale dell'EZ Vinyl/Tape Converter in dotazione con il presente prodotto.

Se si sta registrando su un **computer**:

- Assicurarsi che il Vinyl Motion sia acceso e che la puntina sia sul disco.
- Assicurarsi che sia selezionato come periferica di registrazione predefinita del computer (si vedano le istruzioni qui di seguito).
- Se si ascolta tramite le casse del computer, assicurarsi che queste siano selezionate come periferica di riproduzione predefinita del computer (si vedano le istruzioni qui di seguito). Alternativamente, collegare le uscite RCA di Vinyl Motion ad un impianto stereo o ad altoparlanti. **Non** collegarle a ingressi a livello phono: le uscite RCA di Vinyl Motion sono a livello di linea e potrebbero danneggiare un dispositivo con ingressi a livello phono. **(Nota bene:** le uscite RCA monitorano il segnale che esce dai giradischi, non quello proveniente dal computer.)
- Scollegare e ricollegare inoltre il cavo USB che unisce il Vinyl Motion al computer.

Non sento alcun audio durante la riproduzione di musica:

- Se si riproduce musica da **vinile**:
 - Assicurarsi che il Vinyl Motion sia acceso e che la puntina sia sul disco.
 - Collegare le uscite RCA di Vinyl Motion ad un impianto stereo o ad altoparlanti. **(Non** collegarle a ingressi a livello phono: le uscite RCA di Vinyl Motion sono a livello di linea e potrebbero danneggiare un dispositivo con ingressi a livello phono.)
- Se si riproduce musica dal **computer**:
 - Assicurarsi che il volume del lettore musicale software sia acceso.
 - Assicurarsi che il volume del computer sia acceso.
 - Assicurarsi che le casse del computer siano selezionate come periferica di riproduzione predefinita del computer (si vedano le istruzioni qui di seguito). (Il Vinyl Motion non può essere utilizzato come periferica di riproduzione per l'audio del computer.)

Durante l'uso del giradischi sento un ronzio tramite l'altoparlante o il portatile.

- Se si sta registrando su un computer portatile:
 - collegare il computer ad un'alimentazione con messa a terra (3 denti)
- Se si sta riproducendo musica con un altoparlante:
 - collegare il dispositivo ad un'alimentazione con messa a terra (3 denti).

Il mio disco non suona alla giusta velocità; il pitch è troppo alto o troppo basso:

- Assicurarsi che l'interruttore 33 / 45 / 78 sia impostato sulla velocità giusta per il disco specifico.

Il disco sbatte contro il bordo del pannello superiore:

- servirsi sempre di un tappetino per sollevare il disco in modo tale da collocarlo a livello con il bordo superiore.

Configurare il Vinyl Motion come dispositivo di registrazione predefinito

- **Windows XP:** Cliccare su **Start ► Pannello di controllo (o Impostazioni ► Pannello di controllo in visualizzazione classica) ► Suoni e periferiche audio**. Cliccare sulla scheda **Audio** e sotto **Registrazione audio**, selezionare **Dispositivo audio PnP USB** come periferica predefinita.
- **Windows Vista:** Cliccare su **Start ► Pannello di controllo (o Impostazioni ► Pannello di controllo in visualizzazione classica) ► Suoni e periferiche audio**. Cliccare sulla scheda **Registrazione** e selezionare **Dispositivo audio PnP USB** come periferica predefinita.
- **Windows 7:** Cliccare su **Start ► Pannello di controllo ► Audio**. Cliccare sulla scheda **Registrazione** e selezionare **Dispositivo audio PnP USB** come periferica predefinita.
- **Windows 8:** Nel menu **Start**, cliccare sull'angolo inferiore sinistro dello schermo per passare al Desktop. Nell'angolo inferiore destro della Barra delle applicazioni, individuare l'icona "Speaker" di controllo del Volume. Fare click col tasto destro del mouse e selezionare **Dispositivi di riproduzione**. Nel pannello di controllo **Audio di Windows** selezionare la scheda **Registrazione**. Se il **Dispositivo audio PnP USB** non presenta un segno di spunta verde, fare click col destro e selezionare **Imposta come dispositivo predefinito**.
- **Mac:** Cliccare sull'icona della "mela" in alto a sinistra, quindi cliccare su **Preferenze di sistema ► Audio**. Fare clic sulla scheda **Input**. Dal menu, selezionare **Dispositivo audio PnP USB** come periferica.

Configurazione della scheda audio del computer come dispositivo di riproduzione predefinito

- **Windows XP:** Cliccare su **Start ► Pannello di controllo** (o Impostazioni ► Pannello di controllo in visualizzazione classica) ► **Suoni e periferiche audio**. Cliccare sulla scheda **Audio** e sotto **Riproduzione audio**, selezionare la scheda audio del computer come periferica predefinita.
- **Windows Vista:** Cliccare su **Start ► Pannello di controllo** (o Impostazioni ► Pannello di controllo in visualizzazione classica) ► **Hardware e suoni ► Audio**. Cliccare sulla scheda **Riproduzione** e selezionare la scheda audio del computer come periferica predefinita.
- **Windows 7:** Cliccare su **Start ► Pannello di controllo ► Audio**. Cliccare sulla scheda **Riproduzione** e selezionare la scheda audio del computer come periferica predefinita.
- **Windows 8:** Nel menu **Start**, cliccare sull'angolo inferiore sinistro dello schermo per passare al Desktop. Nell'angolo inferiore destro della Barra delle applicazioni, individuare l'icona "Speaker" di controllo del Volume. Fare click col tasto destro del mouse e selezionare **Dispositivi di riproduzione**. Il pannello di controllo **Audio di Windows** dovrebbe comparire sulla scheda **Riproduzione**. Se la scheda audio del computer non presenta un segno di spunta verde, fare click col destro e selezionare **Imposta come dispositivo predefinito**.
- **Mac:** Cliccare sull'icona della "mela" in alto a sinistra, quindi cliccare su **Preferenze di sistema ► Audio**. Cliccare sulla scheda **Output**. Nel menu, selezionare **Internal Speakers** se si utilizzano le casse interne del computer o **Cuffie** se si utilizzano casse o cuffie collegate all'uscita cuffie da 1/8" del computer.

PRIMA DI RENDERE QUESTO PRODOTTO, contattare ION Audio o il proprio rivenditore per ricevere assistenza tecnica. I dati di contatto si trovano nel libretto di istruzioni di sicurezza in dotazione con il prodotto.

ionaudio.com/support

Specifiche tecniche

Dimensioni (lunghezza x larghezza x altezza)	343 mm x 254 mm x 114 mm 13,5 po x 10 po x 4,5 po
Peso	2,7 kg 5,9 lbs
Alimentazione	Alimentazione tramite bus USB o batteria ricaricabile agli ioni di litio
Potenza di uscita	agli ioni di litio
Carica volta	Fino a 4 ore
Tipo di cartuccia	Ceramica
Cartuccia e puntina	CZ-800-10 (con punta in zaffiro) in dotazione e disponibile alla pagina www.ionaudio.com/products/details/CZ-800-10 . Per una puntina 78 è disponibile l'ICT06rs alla pagina www.ionaudio.com/ict06rs
Alimentazione USB	Alimentazione USB a 5V (come quella inclusa con il proprio smartphone o tablet) da 500mA o più.

Le specifiche tecniche possono variare senza preavviso.

Schnellstart-Anleitung (Deutsch)

Einführung

Lieferumfang

Vergewissern Sie sich, dass alle hier angeführten Komponenten in der Schachtel enthalten sind:

- Vinyl Motion
- Filz-Slipmat
- USB-Kabel
- 45 RPM Adapter
- Software-CD
- Schnellstart-Anleitung
- Sicherheitshinweise und Garantiefinformationen

Sicherheitshinweise

- Verwenden Sie es nie bei Regen oder in nasser Umgebung. Verwenden Sie es nur in trockenen Räumen.
- Verwenden Sie den Plattenspieler nur auf einer ebenen Fläche.
- Die Plattenspielerabdeckung muss bei der Plattenwiedergabe geöffnet sein.
- Schließen Sie die Plattenspielerabdeckung, wenn Sie gerade keine Platten abspielen.

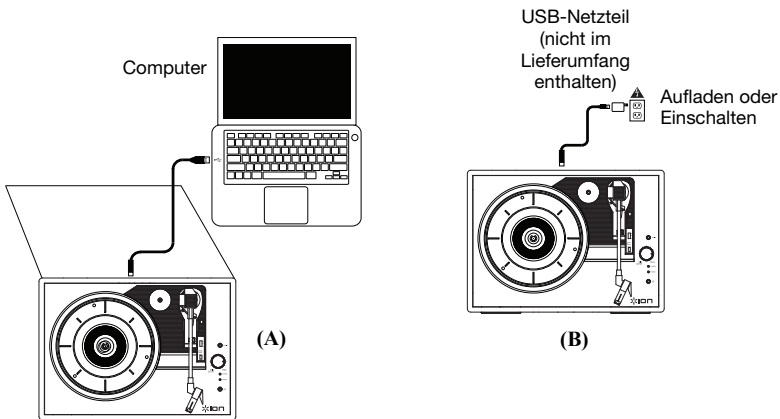
Kundendienst

Für aktuell die neuesten Informationen zu diesem Produkt (Systemanforderungen, Informationen zur Kompatibilität etc.) und zur Produktregistrierung besuchen Sie ionaudio.com.

Anschlussdiagramm

Teile, die nicht im **Lieferumfang** angegeben sind, sind separat erhältlich.

Verwenden Sie das mitgelieferte USB-Kabel, um den Vinyl Motion **(A)** mit einem 5V USB-Netzteil, das in einer Steckdose eingesteckt ist oder **(B)** mit Ihrem Computer.



Funktionen

1. **Plattenteller** – Hier platzieren Sie Ihre Schallplatte.
2. **45 RPM-Adapterhalterung** – Sichert den mitgelieferten 45 RPM-Adapter. Wenn Sie den Adapter nicht verwenden, legen Sie ihn bitte in diese Haltevorrichtung.
3. **Tonarm** – Der fixe Tonarm kann mit der Hand oder durch Drücken des entsprechenden Hebels angehoben und abgesenkt werden.
4. **Arm-Clip** – Dieser speziell entworfene Arm-Clip sichert den Tonarm, wenn er nicht verwendet wird. Der Arm-Clip wurde so entwickelt, dass er in der oberen Position bleibt, wenn er entsperrt ist.
5. **Hebel** – Hebt und senkt den Tonarm.
6. **33 / 45 / 78 RPM-Schalter** – Regelt die Geschwindigkeit (RPM) des Plattentellers.

Hinweis: Für die Wiedergabe von 78 RPM Schallplatten verwenden Sie idealerweise eine 78 RPM-Nadel (separat erhältlich). Verwenden Sie für 78 RPM Schallplatten ausschließlich 78 RPM-Nadeln. Kaufen Sie eine iCT06rs 78 Nadel auf ionaudio.com/ict06rs.

7. **Autostop-Schalter** – Dieser Schalter schaltet Autostop an oder aus. Wenn Autostop eingeschaltet ist, wird der Plattenteller zu rotieren beginnen, sobald der Tonarm über die Schallplatte gelegt wird und stoppen, wenn die Platte das Ende erreicht hat. (Wenn Autostop ausgeschaltet ist, wird sich der Plattenteller immer und unabhängig von der Position des Tonarms drehen.)

Hinweis: Wenn der Vinyl-Schallplatte stoppt, bevor sie das Ende der Musik erreicht, schalten Sie Autostop in die Position für diesen bestimmten Datensatz. Dieser ist in der Regel für 45 RPM Records empfohlen.

8. **Lautstärkereglер / Ein-/Aus-Schalter** – Um Vinyl Motion einzuschalten, drehen Sie diesen Regler im Uhrzeigersinn bis er einrastet. Ist das Gerät eingeschaltet, können Sie diesen Knopf verwenden, um die Lautstärke der internen Lautsprecher und Kopfhörer einzustellen. Um Vinyl Motion abzuschalten, drehen Sie diesen Regler gegen den Uhrzeigersinn bis er einrastet.

9. **Kopfhörerbuchse** – Schließen Sie Kopfhörer an (separat erhältlich), um Ihre Schallplatten anzuhören.

10. **Akkuladeanzeige** – Die LED leuchtet, wenn der Akku aufgeladen wird. Die LED erlischt, sobald der Akku vollständig geladen ist.

11. **Netzanzeige** – Diese LED leuchtet, wenn das Gerät eingeschaltet ist und erlischt, wenn der Akku leer ist.

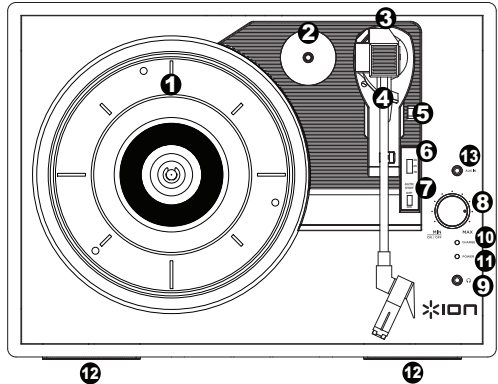
12. **Lautsprecher** – Die Platte wird über diese eingebauten Lautsprecher zu hören sein.

13. **Aux-Eingang** – Schließen Sie einen CD-Player, digitalen Medien-Player oder eine andere Audioquelle an diesen 1/8" AUX-Stereoeingang an.

14. **Cinch-Ausgang*** – Die Audiosignale von einer Vinyl-Schallplatte, die gerade abgespielt wird, wird an diesen Line-Level-Koaxial-Ausgang gesendet. Dieser darf nicht mit Phono-Level-Geräten verbunden werden.

Hinweis: Wenn Ihr Schallplatte stoppt, bevor sie das Ende des Songs erreicht hat, bringen Sie Autostop für diese spezielle Schallplatte in die Position AUS. Dies wird in der Regel auch für 45 RPM Schallplatten empfohlen.

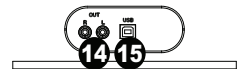
15. **USB-Anschluss** – Schließen Sie Ihren Plattenspieler mit dem mitgelieferten USB-Kabel an Ihren Computer an. Die USB-Verbindung sendet das Audiosignal vom Plattenspieler an Ihren Computer. Bitte beachten Sie den Abschnitt **So verwenden Sie Vinyl Motion mit Ihrem Computer** in diesem Handbuch für weitere Informationen. Verwenden Sie das mitgelieferte USB-Kabel, um den Vinyl Motion mit einem USB-Netzteil, das in einer Steckdose eingesteckt ist oder mit Ihrem Computer.



WICHTIG: Legen Sie die mitgelieferte Filz-Slipmat auf den Plattenteller. Anschließend legen Sie Ihre Platte auf die Filz-Slipmat, um einen sicheren Sitz zu gewährleisten.

***WARNUNG:** Die Cinch-Ausgänge sind line-pegel. Bitte nur verbinden um line-pegel Eingängen. Sie könnten beschädigen Ihre Empfänger wenn Sie Verbindung Die Cinch-Ausgänge des Vinyl Motion sind zu einem Phono-Eingängen.

WICHTIG: Entfernen Sie die Kunststoffabdeckung des Tonabnehmers (Nadelabdeckung) bevor Sie den Plattenspieler verwenden.



So verwenden Sie Vinyl Motion mit Ihrem Computer

Aufnahme

Sie können den ION EZ Vinyl/Tape Converter verwenden, um Musik mit Ihrem Computer aufzunehmen. EZ Vinyl/Tape Converter, ionaudio.com/ezvc, speichert Ihre Aufnahmen direkt mit Ihrem Computer. Nachdem Sie Ihre Schallplatten konvertiert haben, können Sie sie auf CD brennen oder auf tragbare Mediengeräte laden.

Zur Installation der Software legen Sie einfach die mitgelieferte CD in Ihren Computer ein und folgen den Anweisungen auf dem Bildschirm.

1. Wenn Sie EZ Vinyl/Tape Converter auf Ihrem Computer installiert haben, verwenden Sie das mitgelieferte USB-Kabel, um den USB-Port des Vinyl Motion mit einem freien USB-Port Ihres Computers zu verbinden.
2. Um EZ Vinyl/Tape Converter auf Ihrem Computer zu öffnen, wählen Sie **Startmenü ► Alle Programme** (Windows) oder das **Anwendungen**-Menü (Mac).
3. Befolgen Sie die Anweisungen auf dem Bildschirm, um Ihre Aufnahme vorzubereiten. Wenn Sie aufgefordert werden, Ihre Musik zu spielen, bringen Sie den Tonarm des Vinyl Motion über die Platte und starten die Wiedergabe.

Hinweis: Um sich eine Platte während der Wiedergabe anzuhören, können Sie die Lautsprecher Ihres Computers verwenden oder die Cinch-Ausgänge des Vinyl Motion an eine Stereoanlage oder Aktivlautsprecher anschließen. Verbinden Sie sie **nicht** mit Phono-Eingängen; Die Cinch-Ausgänge des Vinyl Motion sind Line-Verbindungen und könnten ein Gerät mit Phono-Eingängen beschädigen.

4. Wenn Sie die Aufnahme beendet haben, heben Sie den Vinyl Motion-Tonarm von der Platte und setzen ihn zurück in den Arm-Clip.

Besuchen Sie ionaudio.com/computer-optimization für weitere Informationen zur Optimierung Ihres Computers für Audio.

Wiedergabe

Es gibt 3 Möglichkeiten, um Ihre Schallplatten mit Vinyl Motion anzuhören:

1. Sie können Ihre Musik einfach über die internen Lautsprecher des Vinyl Motion anhören.
2. Wenn Sie Ihre eigenen Stereo-Lautsprecher verwenden möchten, können Sie die Vinyl Motion Cinch-Ausgänge mit einer Stereoanlage oder Aktivlautsprechern verbinden. Verbinden Sie sie nicht mit Phono-Eingängen; Die Cinch-Ausgänge des Vinyl Motion sind Line-Verbindungen und könnten ein Gerät mit Phono-Eingängen beschädigen. (Jeder andere standardmäßige Eingangstypus wie CD, Aux In oder Tape ist akzeptabel).
3. Sie können Ihre Platten über Ihre Computer-Lautsprecher oder über an den Computer angeschlossene Kopfhörer hören sobald das Eingabegerät Ihrer Computer-Soundkarte auf *USB PnP Audio Device* oder *USB-Audiogerät eingestellt wurde*, je nach Windows-Betriebssystem (USB PnP-Audiogerät auf Mac OS X) und nachdem eingestellt wurde, dass das Monitoring der Audiosignale über EZ Vinyl/Tape Converter oder eine ähnliche Software vorgenommen wird (Vinyl Motion kann nicht als Wiedergabegerät für Audiosignale des Computers verwendet werden.). Siehe Abschnitt *Einstellen Ihrer Computer-Soundkarte als Standard-Wiedergabegerät* für weitere Details, wie die Soundwiedergabe konfiguriert werden kann.

Fehlerbehebung

Wenn Sie Schwierigkeiten mit dem Produkt haben, lesen Sie bitte die unten aufgeführten Schritte zur Fehlerbehebung und das mitgelieferte EZ Vinyl/Tape Converter Handbuch.

Wenn Sie auf einen **Computer** aufnehmen:

- Stellen Sie sicher, dass Vinyl Motion eingeschaltet und die Nadel auf der Schallplatte ist.
- Stellen Sie sicher, dass Vinyl Motion in Ihrem Computer als standardmäßiges Aufnahmegerät ausgewählt ist (siehe Anleitung unten).
- Wenn Sie die Lautsprecher Ihres Computers verwenden, stellen Sie sicher, dass diese Lautsprecher als standardmäßige Wiedergabe-Geräte Ihres Computer ausgewählt sind (siehe Anleitung unten). Alternativ können Sie die Cinch-Ausgänge des Vinyl Motion an eine Stereoanlage oder an Aktivlautsprecher anschließen. Verbinden Sie sie **nicht** mit Phono-Eingängen; Die Cinch-Ausgänge des Vinyl Motion sind Line-Verbindungen und könnten ein Gerät mit Phono-Eingängen beschädigen. (**Hinweis:** Die Cinch-Ausgänge überwachen das Signal vom Plattenspieler, nicht das Signal Ihres Computers.)
- Stecken Sie auch das USB-Kabel, das den Vinyl Motion mit Ihrem Computer verbindet, zuerst ab und anschließend wieder ein.

Ich kann bei der Musikwiedergabe nichts hören:

- Wenn Sie **Vinylplatten** spielen:
 - Stellen Sie sicher, dass Vinyl Motion eingeschaltet und die Nadel auf der Schallplatte ist.
 - Verbinden Sie die Cinch-Ausgänge des Vinyl Motion mit einer Stereoanlage oder mit Aktivlautsprechern. (Verbinden Sie sie **nicht** mit Phono-Eingängen; Die Cinch-Ausgänge des Vinyl Motion sind Line-Verbindungen und könnten ein Gerät mit Phono-Eingängen beschädigen.)
- Wenn Sie Musik von Ihrem **Computer** spielen:
 - Achten Sie darauf, dass die Lautstärke Ihres Musik-Players aufgedreht ist.
 - Achten Sie darauf, dass die Lautstärke Ihres Computers aufgedreht ist.
 - Achten Sie darauf, dass die Lautsprecher Ihres Computers als standardmäßiges Wiedergabe-Gerät für Ihren Computer ausgewählt sind (siehe Anleitung unten). (Vinyl Motion kann nicht als Abspielgerät für Audio Ihres Computers verwendet werden.)

Wenn ich den Plattenspieler verwende, höre ich ein Summen durch meine Lautsprecher, oder meinen Laptop

- Wenn Sie mit einem Laptop aufnehmen:
 - Bitte verbinden Sie den Laptop an eine geerdete Stromquelle (3 polig)
- Wenn Sie über einen Lautsprecher spielen:
 - Bitte verbinden Sie diesen mit einer geerdeten (3 poligen) Stromquelle.

Meine Schallplatte wird nicht mit der richtigen Geschwindigkeit wiedergegeben. Die Tonlage ist zu hoch oder zu tief:

- Stellen Sie sicher, dass der 33/45/78-Schalter für diese Schallplatte auf die entsprechende Geschwindigkeit eingestellt ist.

Meine Platte schleift am Rand der oberen Abdeckung:

- Verwenden Sie stets eine Slipmat, damit Ihre Platten hoch genug aufliegen, um die obere Abdeckung nicht zu berühren.

Vinyl Motion als Standard-Aufnahmegerät Einstellen

- **Windows XP:** Klicken Sie auf **Startmenü** ► **Systemsteuerung** (oder Einstellungen ► Systemsteuerung in der klassischen Ansicht) ► **Sound und Audiogeräte**. Klicken Sie auf die Registerkarte **Audio** unter **Aufnahme** und wählen Sie **USB PnP-Audiogerät** als Standard-Gerät aus.
- **Windows-Vista:** Klicken Sie **Startmenü** ► **Systemsteuerung** (oder Einstellungen ► Systemsteuerung in der klassischen Ansicht) ► **Hardware und Sound** ► **Ton**. Klicken Sie auf die Registerkarte **Aufnahme** und wählen Sie **USB PnP-Audiogerät** als Standard-Gerät.
- **Windows 7:** Wählen Sie ► **Startmenü** **Systemsteuerung** ► **Ton**. Klicken Sie auf die Registerkarte **Aufnahme** und wählen Sie **USB PnP-Audiogerät** als Standard-Gerät.
- **Windows 8:** Klicken Sie im **Startmenü** auf die linke untere Ecke des Bildschirms, um zum Desktop zu gelangen. Klicken Sie in der rechten unteren Ecke der Taskleiste auf das "Lautsprechersymbol". Klicken Sie mit der rechten Maustaste auf den Lautsprecher und wählen **Wiedergabegeräte**. In der Windows-Systemsteuerung für **Sound** wählen Sie die Registerkarte **Aufnahme**. Wenn neben **USB PnP-Audiogerät** kein grünes "Häkchen"-Symbol angezeigt wird, klicken Sie mit der rechten Maustaste auf Vinyl Motion und wählen **Als Standardgerät festlegen**.
- **Mac:** Klicken Sie auf das obere linke "Apfel"-Symbol und klicken dann auf **Systemeinstellungen** ► **Ton**. Klicken Sie auf die Registerkarte **Input**. Wählen Sie **USB PnP-Audiogerät** im Menü als Gerät aus.

So stellen Sie die Soundkarte Ihres Computers als Standard-Wiedergabegerät ein

- **Windows XP:** Klicken Sie auf **Startmenü ▶ Systemsteuerung** (oder Einstellungen ▶ Systemsteuerung in der klassischen Ansicht) ▶ **Sound und Audiogeräte**. Klicken Sie auf die Registerkarte **Audio** und wählen unter **Soundwiedergabe** Ihre Computer-Soundkarte als Standardgerät.
- **Windows-Vista:** Klicken Sie **Startmenü ▶ Systemsteuerung** (oder Einstellungen ▶ Systemsteuerung in der klassischen Ansicht) ▶ **Hardware und Sound ▶ Ton**. Klicken Sie auf die Registerkarte **Wiedergabe** und wählen Sie Ihre Computer-Soundkarte als Standardgerät aus.
- **Windows 7:** Wählen Sie **Startmenü ▶ Systemsteuerung ▶ Ton**. Klicken Sie auf die Registerkarte **Wiedergabe** und wählen Sie Ihre Computer-Soundkarte als Standardgerät aus.
- **Windows 8:** Klicken Sie im **Startmenü** auf die linke untere Ecke des Bildschirms, um zum Desktop zu gelangen. Klicken Sie in der rechten unteren Ecke der Taskleiste auf das "Lautsprechersymbol". Klicken Sie mit der rechten Maustaste auf den Lautsprecher und wählen **Wiedergabegeräte**. Die Windows-Systemsteuerung für **Sound** sollte nun unter der Registerkarte **Wiedergabe** aufscheinen. Wenn neben der Soundkarte Ihres Computers kein grünes "Häkchen"-Symbol aufscheint, klicken Sie mit der rechten Maustaste auf die Soundkarte und wählen **Als Standardgerät festlegen**.
- **Mac:** Klicken Sie auf das obere linke "Apfel"-Symbol und klicken dann auf **Systemeinstellungen ▶ Ton**. Klicken Sie auf die Registerkarte **Ausgabe**. Aus dem Menü wählen Sie **Interne Lautsprecher**, wenn Sie die internen Computerlautsprecher verwenden oder **Kopfhörer**, wenn Sie Lautsprecher oder Kopfhörer verwenden, die über den 1/8"-Kopfhörerausgang an den Computer angeschlossen sind.

BEVOR SIE DIESES PRODUKT EINSENDEN, kontaktieren Sie bitte ION Audio oder Ihren Händler für technischen Support. Die Kontaktinformationen finden Sie in den Sicherheitshinweisen, die diesem Produkt beiliegen.

ionaudio.com/support

Technische Daten

Abmessungen (Länge x Breite x Höhe)	343 mm x 254 mm x 114 mm 13,5" x 10" x 4,5"
Gewicht	2,7 kg 5,9 lbs
Stromversorgung	USB-Stromversorgung oder wiederaufladbare Lithium-Ionen-Batterie
Akku-Typ	Lithium-Ionen
Lade Mal	Bis zu 4 Stunden
Tonabnehmerart	Keramik
Tonabnehmer und Nadel	CZ-800-10 (mit Saphirspitze) ist im Lieferumfang enthalten und auch auf www.ionaudio.com/products/details/CZ-800-10 erhältlich. Eine 78 Nadel ist auf www.ionaudio.com/ict06rs verfügbar
USB-Stromversorgung	5V USB-Netzteil mit 500mA oder mehr (wie das Netzteil, das mit Ihrem Smartphone oder Tablet geliefert wurde).

Die Spezifikationen können ohne Ankündigung geändert werden.

Snelstartgids (Nederlands)

Introductie

Inhoud van de doos

Controleer of de doos de onderstaande onderdelen bevat:

- Vinyl Motion
- Viltten slipmat
- USB-kabel
- 45 TPM adapter
- Software-cd
- Snelstartgids
- Veiligheids- en garantie handleiding

Veiligheidsinformatie

- Niet gebruiken in de regen of op natte plekken. Enkel op droge plekken gebruiken.
- De draaitafel alleen gebruiken op een vlakke ondergrond.
- Het deksel van de draaitafel moet open zijn bij het afspelen van platen.
- Het deksel van de draaitafel sluiten wanneer u geen platen afspeelt.

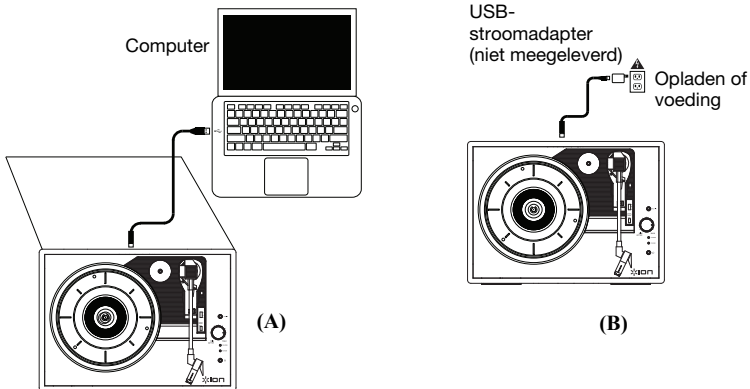
Ondersteuning

Voor de laatste informatie over dit product (systeemvereisten, compatibiliteitsinformatie, enz.) en productregistratie, bezoek ionaudio.com.

Aansluitschema

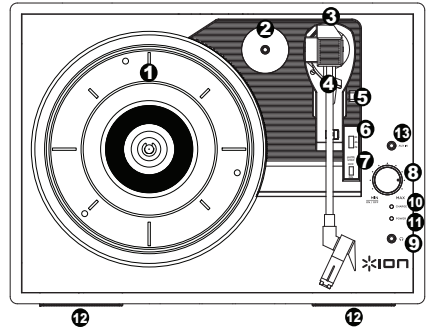
Artikelen die niet zijn opgesomd in **Inhoud van de doos** worden afzonderlijk verkocht.

Gebruik de meegeleverde USB-kabel om Vinyl Motion met **(A)** een 5V USB-stroomadapter, aangesloten op een stopcontact, of **(B)** uw pc.



Kenmerken

1. **Draaitafel:** leg hierop uw plaat.
2. **Houder 45-toerenadapter:** houder voor de meegeleverde 45- toerenadapter. Plaats de adapter in de houder wanneer u hem niet gebruikt.
3. **Toonarm:** De vaste toonarm kunt u met de hand optillen of laten zakken, of door de hendel omhoog/omlaag in te drukken.
4. **Armsteun:** deze speciaal ontworpen armsteun beveiligd de toonarm in rustpositie of wanneer hij niet wordt gebruikt. De armsteun werd ontworpen om in de hoogste positie te blijven wanneer hij ontgrendeld is.
5. **Hendel zakken/opheffen:** heft de toonarm op en laat hem zakken.
6. **Schakelaar 33 / 45 / 78 toeren:** deze schakelaar controleert het toerental van de draaitafel.



Opmerking: Gebruik voor optimale resultaten bij het afspelen van 78-toerenplaten een naald voor 78 toeren (wordt afzonderlijk verkocht). Gebruik alleen een naald voor 78 toeren met 78-toerenplaten. Koop op ionaudio.com/ict06rs de iCT06rs naald voor 78 toeren.

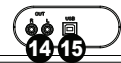
7. **Autostop-schakelaar:** deze schakelaar zet autostop aan of uit. Wanneer autostop aan staat, begint de draaitafel te draaien van zodra de toonarm zich boven de plaat bevindt en stopt ze met draaien wanneer de plaat haar einde heeft bereikt. (Wanneer autostop afstaat, blijft de draaitafel altijd draaien, ongeacht de positie van de toonarm.)

Opmerking: Als je vinyl stopt voordat het het einde van de muziek bereikt, draai met autostop naar de stand voor dit specifieke record. Dit wordt over het algemeen aanbevolen voor 45-toeren platen.

8. **Volumeknop, Aan/Uitknop:** Draai deze knop naar rechts tot hij klikt om de Vinyl Motion aan te zetten. Wanneer het apparaat aanstaat, draait u aan deze knop om het volume van de interne luidsprekers en koptelefoon aan te passen. Draai deze knop naar links tot hij klikt om de Vinyl Motion uit te zetten.
9. **Koptelefooningang:** sluit hier een koptelefoon aan (afzonderlijk verkrijgbaar) om naar uw plaat te luisteren.
10. **Opladindicator batterij:** Tijdens het opladen gaat de led branden. De led dooft uit zodra de batterij volledig is opgeladen.
11. **Stroomindicator:** deze led gaat branden wanneer het apparaat aanstaat en gaat uit wanneer de batterij leeg is.
12. **Luidspreker:** De muziek op de plaat wordt afgespeeld via deze ingebouwde luidspreker.
13. **Aux-ingang:** Sluit op deze stereo aux-ingang van 1/8" een cd-speler, digitale mediaspeler of andere geluidsbron aan.
14. **RCA-uitgang*:** de audio van een spelende vinylplaat wordt gestuurd naar deze coaxiale audio-uitgang op lijnniveau. Hij mag niet op apparaten met phononiveau worden aangesloten.

Opmerking: Als uw vinylplaat stopt voor het einde van de muziek is bereikt, schakel Autostop dan uit voor deze plaat. Dit wordt aanbevolen voor de meeste 45-toerenplaten.

15. **USB-poort:** gebruik de meegeleverde USB-kabel om uw draaitafel op uw computer aan te sluiten. De USB-verbinding verstuurt het audiosignaal van de draaitafel naar uw computer. Zie hoofdstuk **Gebruik van Vinyl Motion met uw computer** van deze handleiding voor informatie. Gebruik de meegeleverde USB-kabel om Vinyl Motion met een USB-stroomadapter, aangesloten op een stopcontact, of uw pc.



BELANGRIJK: Plaats de meegeleverde vilten slipmat op de draaitafel; leg vervolgens uw plaat op de vilten slipmat, zodat uw plaat zorgvuldig is geplaatst.

BELANGRIJK: Verwijder het plastic kapje van de naald (naaldbescherming) voor de draaitafel aan te zetten.

***WAARSCHUWING:** De RCA-uitgangen zijn op LIJNNIVEAU. Verbind deze enkel met ingangen op LIJNNIVEAU. U kunt uw receiver beschadigen indien u een apparaat op LIJNNIVEAU aansluit op een PHONO-ingang.

Gebruik van Vinyl Motion met uw computer

Opnemen

Voor het opnemen van muziek op uw computer, kunt u gebruik maken van de ION EZ Vinyl/Tape Converter, ionaudio.com/ezvc. EZ Vinyl/Tape Converter slaat uw opnamen op een handige manier op uw computer. Na het omzetten van uw vinylplaten, kunt u ze op cd branden of opladen op draagbare muziekspelers.

Om de software te installeren: plaats de meegeleverde cd in uw computer en volg de instructies op het scherm.

1. Wanneer EZ Vinyl/Tape Converter op uw computer is geïnstalleerd, gebruikt u de meegeleverde USB-kabel om de USB-poort van de Vinyl Motion aan te sluiten op een vrije USB-poort op uw computer.
2. Op uw computer kunt de EZ Vinyl/Tape Converter openen door te klikken op **Startmenu ► Alle programma's** (Windows) of op het menu **Toepassingen** (Mac).
3. Volg de instructies op het scherm voor het instellen van de opname. Wanneer u wordt gevraagd om uw muziek af te spelen, beweegt u de toonarm van de Vinyl Motion over de plaat om het afspeelen te starten.

Opmerking: Om tijdens het afspeelen te luisteren naar een plaat: luister via de luidsprekers van uw computer of sluit de RCA-uitgangen van de Vinyl Motion aan op een stereo-installatie of actieve luidsprekers. Verbind ze **niet** met phono-ingangen; de RCA-uitgangen van de Vinyl Motion staan ingesteld op lijnniveau en kunnen een apparaat met ingangen op phono-niveau beschadigen.

4. Wanneer u klaar bent met de opname, heft u de toonarm van de Vinyl Motion van de plaat en plaatst u hem terug op de armsteun.

Surf naar ionaudio.com/computer-optimization voor meer informatie over het optimaliseren van uw computer voor audio.

Afspelen

Er zijn 3 manieren om met Vinyl Motion naar uw vinylplaten te luisteren:

1. U kunt gewoon naar uw muziek luisteren met de interne luidsprekers van Vinyl Motion.
2. Als u verkiest uw eigen stereo luidsprekers te gebruiken, dan kunt u de RCA-uitgangen van Vinyl Motion aansluiten op een stereoketen of actieve luidsprekers. Sluit ze niet aan op phono-ingangen; de RCA-uitgangen van Vinyl Motion zijn ingesteld op lijnniveau en kunnen een apparaat met ingangen op phono-niveau beschadigen. (Alle andere standaard ingangen, zoals CD, Aux In of Tape zijn aanvaardbaar.)
3. U kunt luisteren via de luidsprekers van uw computer of met uw koptelefoon aangesloten op uw computer van zodra de ingang van de geluidskaart is ingesteld op **USB PnP Audioapparaat** of **USB Audioapparaat**, afhankelijk van uw besturingssysteem (USB PnP Audioapparaat op Max OS X) en als u de audio opneemt/monitort met EZ Vinyl/Tape Converter of gelijkaardige software (Vinyl Motion kan niet worden gebruikt als afspeelapparaat van audio op uw computer). Zie de sectie *De geluidskaart van uw computer instellen als het standaard afspeelapparaat* voor details over hoe u het afspeelen van audio moet configureren.

Problemen oplossen

Als u problemen ondervindt, raadpleeg dan de onderstaande stappen voor probleemoplossing evenals die in de handleiding van de EZ Vinyl/Tape Converter bij dit product.

Als u opneemt op een **computer**:

- o Zorg ervoor dat de Vinyl Motion is ingeschakeld en dat de naald op de plaat staat.
- o Zorg ervoor dat Vinyl Motion op uw computer als standaard opname-apparaat staat ingesteld (zie de instructies hieronder).
- o Als u luistert via de luidsprekers van uw computer, zorg er dan voor dat die luidsprekers op uw computer als standaard afspeelapparaat zijn ingesteld (zie de instructies hieronder). U kunt ook de RCA-uitgangen van de Vinyl Motion aansluiten op een stereosysteem of actieve luidsprekers. *Verbind ze **niet** met phono-ingangen; de RCA-uitgangen van de Vinyl Motion staan ingesteld op lijnniveau en kunnen een apparaat met ingangen op phono-niveau beschadigen. (Opmerking: de RCA-uitgangen monitoren het signaal dat uit de draaitafel komt, niet het signaal dat uit uw computer komt.)*
- o U dient ook de USB-kabel die de Vinyl Motion met uw computer verbindt eerst te ontkoppelen en daarna weer aan te sluiten.

Ik hoor geen geluid wanneer ik muziek afspeel:

- Als u muziek afspeelt vanaf **vinyl**:
 - o Zorg ervoor dat de Vinyl Motion is ingeschakeld en dat de naald op de plaat staat.
 - o Sluit de RCA-uitgangen van de Vinyl Motion aan op een stereo-installatie of actieve luidsprekers. *(Verbind ze **niet** met phono-ingangen; de RCA-uitgangen van de Vinyl Motion staan ingesteld op lijnniveau en kunnen een apparaat met ingangen op phono-niveau beschadigen.)*
- Als u muziek afspeelt vanaf uw **computer**:
 - o Zorg ervoor dat de volumeknop van het programma dat uw muziek afspeelt hoog genoeg staat.
 - o Zorg ervoor dat de volumeknop van uw computer hoog genoeg staat.
 - o Zorg ervoor dat de luidsprekers van uw computer als standaard afspeelapparaat zijn ingesteld (zie de instructies hieronder). (Vinyl Motion kan niet worden gebruikt als afspeelapparaat voor het geluid van uw computer.)

Ik hoor een bromtoon door mijn speaker of laptop bij gebruik van de draaitafel:

- Als u opneemt op een laptop:
 - o Sluit de laptop aan op een geaard stopcontact (drie draden)
- Als u de plaat afspeelt door een speaker:
 - o Sluit aan op een geaard stopcontact (drie draden).

Mijn plaat draait niet aan de correcte snelheid; de klank is te hoog of te laag:

- o Controleer of de schakelaar 33/45/78 op de correcte snelheid voor uw plaat staat.

Mijn plaat raakt de rand van het deksel:

- o Gebruik steeds een slipmat om uw platen hoog genoeg op te tillen, zodat ze het deksel niet raken.

Vinyl Motion instellen als standaard opnameapparaat

- **Windows XP:** Klik op **Start** ► **Bedieningspaneel** (of Instellingen ► Bedieningspaneel in Klassieke weergave) ► **Geluid en audio-apparaten**. Klik op het tabblad **Geluid** en selecteer onder **Geluid opnemen** de **USB PnP Audioapparaat** als standaardapparaat.
- **Windows Vista:** Klik op **Start** ► **Bedieningspaneel** (of Instellingen ► Bedieningspaneel in Klassieke weergave) ► **Hardware en geluid** ► **Geluid**. Klik op het tabblad **Opnemen** en selecteer de **USB PnP Audioapparaat** als standaardapparaat.
- **Windows 7:** Klik op **Start** ► **Bedieningspaneel** ► **Geluid**. Klik op het tabblad **Opnemen** en selecteer de **USB PnP Audioapparaat** als standaardapparaat.
- **Windows 8:** Klik in het **Startmenu** op de hoek links onderaan het scherm om het bureaublad te openen. Zoek in de hoek onderaan rechts van de Taakbalk het pictogram met de luidspreker voor de volumeregeling. Klik met de rechtermuisknop op de luidspreker en selecteer **Afspeelapparaten**. Selecteer het tabblad **Opnemen** in het configuratiescherm **Geluid**. Als naast de **USB PnP Audioapparaat** geen groen 'vinkje' staat, klik er dan op met de rechtermuisknop en selecteer **Als standaardapparaat instellen**.
- **Mac:** Klik op het "Apple"-pictogram in de linkerbovenhoek en klik op **Systeemvoorkeuren** ► **Geluid**. Klik op het tabblad **Invoer**. Selecteer in het menu de **USB PnP Audioapparaat** ir als het apparaat.

De geluidskaat van uw computer instellen als standaard afspeelapparaat

- **Windows XP:** Klik op **Start ► Bedieningspaneel** (of Instellingen ► Bedieningspaneel in Klassieke weergave) ► **Geluid en audio-apparaten**. Klik op het tabblad **Geluid** en selecteer onder **Geluid afspelen** de geluidskaat van uw computer als standaardapparaat.
- **Windows Vista:** Klik op **Start ► Bedieningspaneel** (of Instellingen ► Bedieningspaneel in Klassieke weergave) ► **Hardware en geluid ► Geluid**. Klik op het tabblad **Afspelen** en selecteer de geluidskaat van uw computer als standaardapparaat.
- **Windows 7:** Klik op **Start ► Bedieningspaneel ► Geluid**. Klik op het tabblad **Afspelen** en selecteer de geluidskaat van uw computer als standaardapparaat.
- **Windows 8:** Klik in het **Startmenu** op de hoek links onderaan het scherm om het bureaublad te openen. Zoek in de hoek onderaan rechts van de Taakbalk het pictogram met de luidspreker voor de volumeregeling. Klik met de rechtermuisknop op de luidspreker en selecteer **Afspeelapparaten**. In het tabblad **Afspelen** moet het configuratiescherm **Geluid** verschijnen. Als naast de geluidskaat van uw computer geen groen 'vinkje' staat, klik er dan op met de rechtermuisknop en selecteer **Als standaardapparaat instellen**.
- **Mac:** Klik op het "Apple"-pictogram in de linkerbovenhoek en klik op **Systeemvoorkeuren ► Geluid**. Klik op het tabblad **Uitvoer**. Selecteer **Interne luidsprekers** in het menu als u gebruik maakt van de interne luidsprekers van uw computer of selecteer **Hoofdtelefoon** als u luidsprekers of een hoofdtelefoon gebruikt die zijn aangesloten op de 1/8"-koptelefoonuitgang van de computer.

Neem contact op met ION Audio of uw dealer voor technische ondersteuning **VOORALEER DIT PRODUCT TERUG TE ZENDEN**. De contactgegevens zijn te vinden in het boekje met veiligheidsinstructies bij dit product.

ionaudio.com/support

Technische specificaties

Afmetingen (Lengte x Breedte x Hoogte)	343 mm x 254 mm x 114 mm 13,5" x 10" x 4,5"
Gewicht	2,7 kg 5,9 lbs
Stroom	Stroom via USB of herlaadbare lithium-ionbatterij
Batterijtype	lithium-ionbatterij
Oplaad keer	Tot 4 uur
Type cartridge	Keramisch
Cartridge en stylus	De CZ-800-10 (saffieren naald) is meegeleverd en tevens verkrijgbaar op www.ionaudio.com/products/details/CZ-800-10 . Een stylus voor 78 toeren, de iCT06rs is verkrijgbaar op www.ionaudio.com/ict06rs
USB-stroomaansluiting	USB-voeding van 5V (zoals de voeding meegeleverd met uw smartphone of tablet) met 500mA of meer.

De specificaties kunnen zonder voorafgaande kennisgeving worden gewijzigd.

ionaudio.com