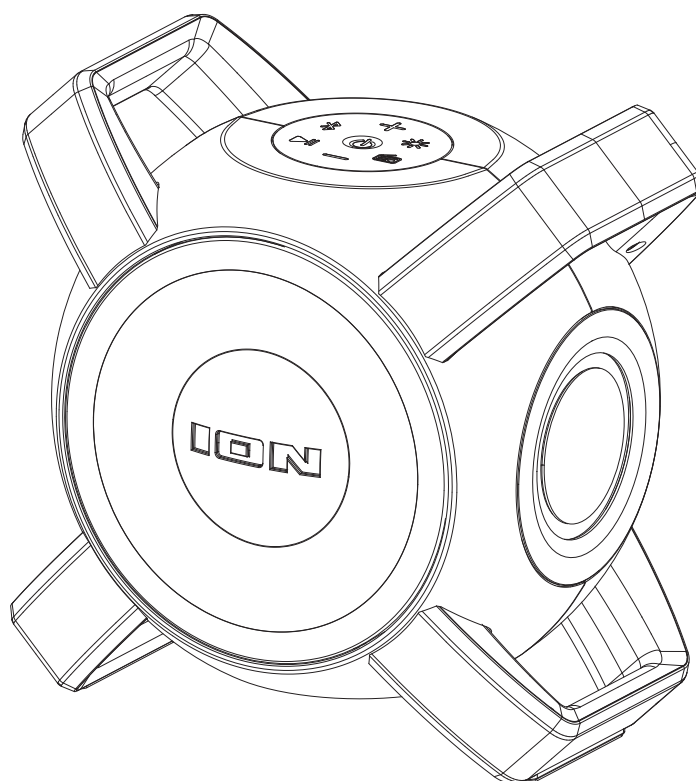


ION®

WAVE RIDER™ X



User Guide
English



ionaudio.com/support

TABLE OF CONTENTS

INTRODUCTION	3
Box Contents	3
Support	3
SETUP	4
Charging and Battery Information	4
Outdoor Use and Care	4
FEATURES	6
Top Panel	6
Rear Panel	8
OPERATION.....	9
Pairing a Bluetooth® Device	9
Linking Two Speakers	11
Light Modes.....	12
Using the Radio.....	12
App Control.....	15
TROUBLESHOOTING	16
APPENDIX.....	17
Technical Specifications	17
Trademarks & Licenses	18

INTRODUCTION

Thank you for purchasing the Wave Rider™ X Speaker. At ION, your entertainment is as important to us as it is to you. That's why we design our products with one thing in mind—to make your life more fun and more convenient.

Note: Before you first use the product, please fully charge the batteries. Your unit was purposely shipped with a reduced battery charge to ensure safe transit. For optimal charging, power off the speaker while charging.

Use the included USB-C to USB-A® cable to connect the unit to a 5V, 2A power adapter (not included) connected to a power outlet and let it charge for up to 3 hours (depending on the specifications of your adapter). This helps ensure the longest life for your battery.

Box Contents

Wave Rider™ X

USB-C to USB-A Cable

Quickstart Guide

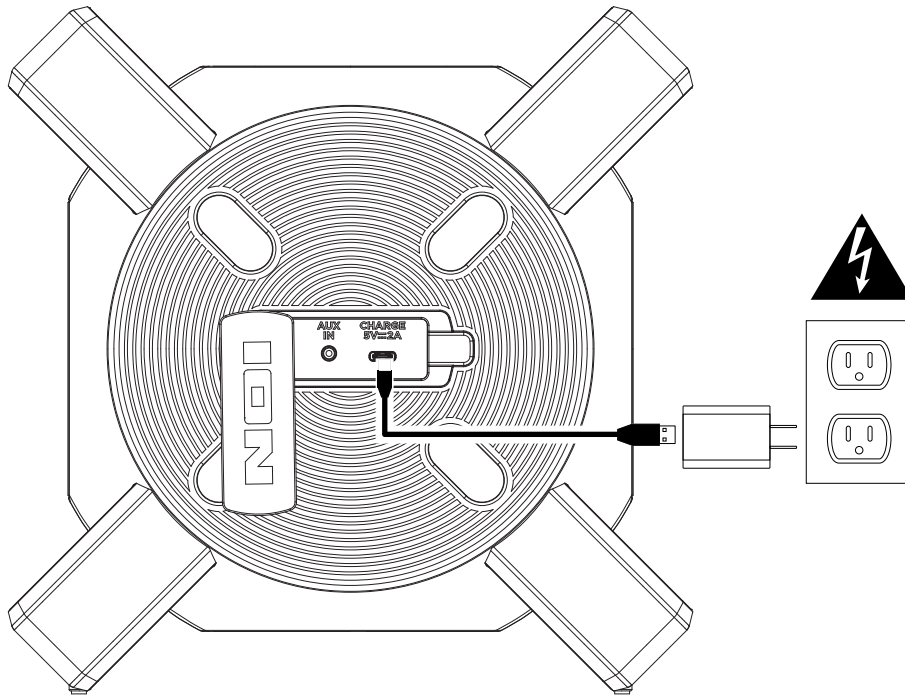
Support

For the latest information about this product (documentation, technical specifications, system requirements, compatibility information, etc.) and product registration, visit ionaudio.com.

For additional product support, visit ionaudio.com/support.

SETUP

Charging and Battery Information



For the quickest charging time, power off Wave Rider™ X and use the included USB-C to USB-A® cable to connect the USB-C® charging port on the rear panel of the speaker to a USB power adapter (DC 5V 2A, not included) connected to a power outlet, or your computer (powered on). A full charge can take up to 3 hours, depending on the specifications of your 5V, 2A adapter. To hear a callout of the battery level (to the nearest 10%), press both - and + buttons.

If no audio is played through the Wave Rider™ X speaker for 15 minutes, the unit will enter a standby mode to conserve battery life. This may mean the Bluetooth signal is paused, no audio is coming through a device connected to the aux port, or the volume is set to 0. To wake the unit, simply resume audio signal or press any button.

When the Wave Rider X™ speaker is connected to a Bluetooth audio output device and no audio is playing from any source, the speaker will automatically power off after 60 minutes have passed.

Here are some other recommendations for getting the longest life from the internal battery.

General Usage Fully charge the battery before using it.

Avoid full discharge of the battery if possible. Li-Ion batteries are maintenance-free, and the battery will last longest when operating between 30 and 80 percent charged.

Do not use the product while charging the battery.

Do not charge the battery in exceedingly hot (greater than 90°F/32°C) or exceedingly cold (less than 32°F/0°C) temperatures.

Storage For best product longevity, do not store at exceedingly hot (greater than 90°F/32°C) or exceedingly cold (less than 32°F/0°C) temperatures.

For best product longevity, store product with a 50% battery charge.

If you leave the battery level low and do not charge it for 6 months, it may permanently lose capacity.

Repair If the battery fails to charge, contact ION Audio at ionaudio.com.

Disposal Bring the unit to a recycling center or dispose of in accordance with local ordinances.

Outdoor Use and Care

Please review the tips below to get the best performance from your Wave Rider™ X:

- Wave Rider™ X is IP67 waterproof, submersible up to 3 ft. (1 m) for 30 minutes, and dust-/dirt-/sand-proof.
- If the speaker fills with water, hold the speaker upright and gently tilt it to remove excess water from the main body. The sound may be muffled until the water has drained.
- The handles are designed to fill with water in order to float properly. Hold the speaker upright after using in water to drain from the holes in the bottom handles.
- Please do not connect a power adapter to Wave Rider™ X in a wet environment. Make sure the power input, power adapter, and power outlet are all completely dry before making any connections.

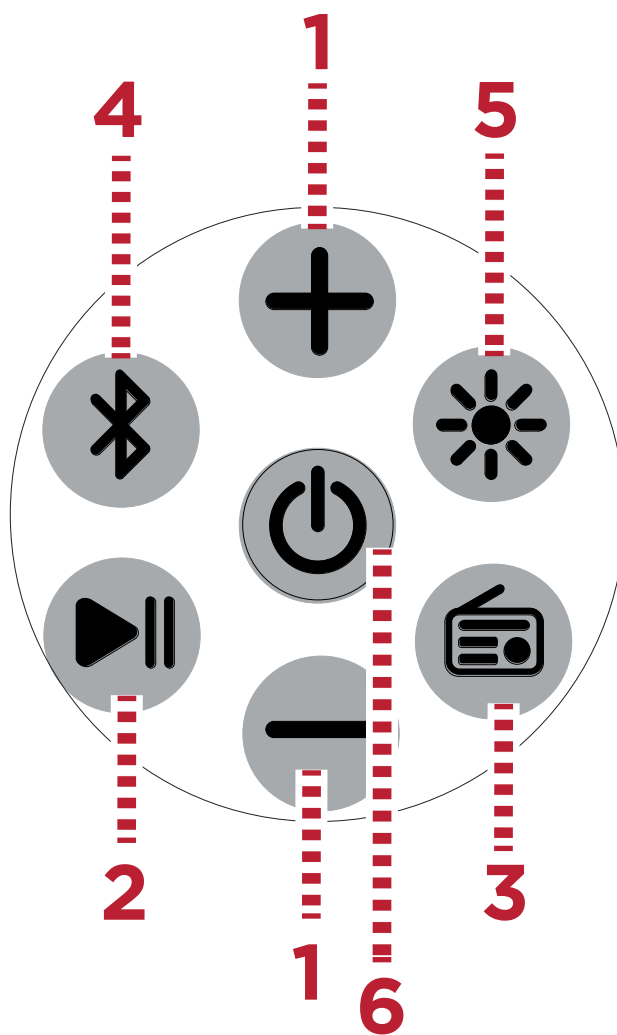
WARNING: Keep any non-water-resistant devices (phones, music players, etc.) in a dry place where they will not be affected by water and cause a risk of electric shock.

- If Wave Rider™ X is exposed to saltwater, we recommend that you rinse it with tap water to maintain long term performance of your product.

FEATURES

Top Panel

Click a control below to jump to that section.



1. + / - Buttons

Press and release these buttons to raise or lower the volume in all playback modes.

In Bluetooth mode, press and hold the + or - button to go to the beginning of the current track or skip to the following track, respectively. Press the - button again within one second to skip to the previous track.

In FM mode, press and hold these buttons to seek the previous or next strong station.

To hear a callout of the battery level (to the nearest 10%), press both of the - and + buttons.

2. Play / Pause

Press this button to start and stop Bluetooth audio.

In FM mode, press this button to save and recall radio presets. See [Operation > Using the Radio](#) for more details.

To reset the speaker to factory default settings, press and hold this button for 8 seconds.

3. Radio Button

Press this button to enter FM radio mode. Press this button again to exit FM radio mode. See [Operation > Using the Radio](#) for more details.

Note: Radio reception can be affected when charging the unit. For best results, only use the radio when operating on battery power.

4. Bluetooth® Button

After powering on, press this button to enter Bluetooth pairing mode (unless you are already connected to a Bluetooth device). When connected to a Bluetooth device, press this button for 2 seconds to disconnect the paired device and re-enter pairing mode. See [Operation > Pairing a Bluetooth® Device](#) to learn how to connect a Bluetooth device.

Double press the Bluetooth button on both speakers to enter Stereo-Link™ mode. Double press the Bluetooth button a single speaker while linked to break the link. See [Operation > Linking Two Speakers](#) for more details.

In radio mode, single press the Bluetooth button to turn off the radio and switch to Bluetooth playback.

5. Lights Button

Press this button to cycle through the light modes.

Press and hold this button for 3 seconds to turn off speaker lights and backlights. When lights are OFF, press and release this button to return to the previously selected light mode.

See [Operation > Light Modes](#) for more information.

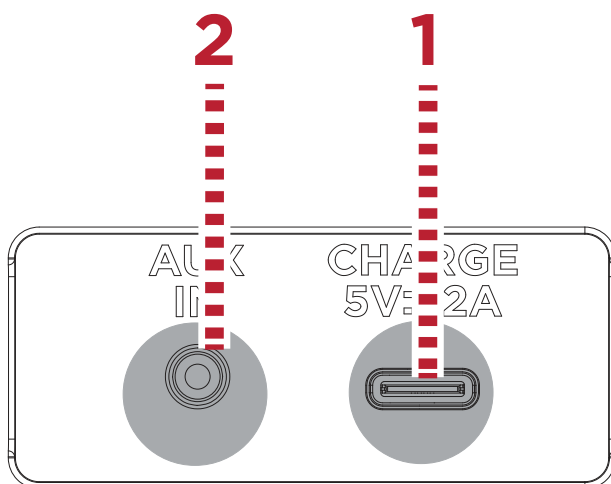
6. Power Button

Press and hold this button to turn Wave Rider™ X on and off.

Double press this button to enable or disable voice prompts.

The button LED will be white when first powered on. It will flash red three times every minute that the battery is below 10%. The LED will be solid pink when powered on and charging. If powered OFF and fully charged, the red LED will turn off to signify it is fully charged. If powered ON and fully charged, the LED will turn from red to white.

Rear Panel



Note: Pull the tab on the protective rubber panel to release it and access the rear panel port.

1. USB Charge

Connect the included USB-C to USB-A® cable from this charging port to a USB power adapter (DC 5V 2A, not included) connected to a power outlet, or to your powered-on computer.

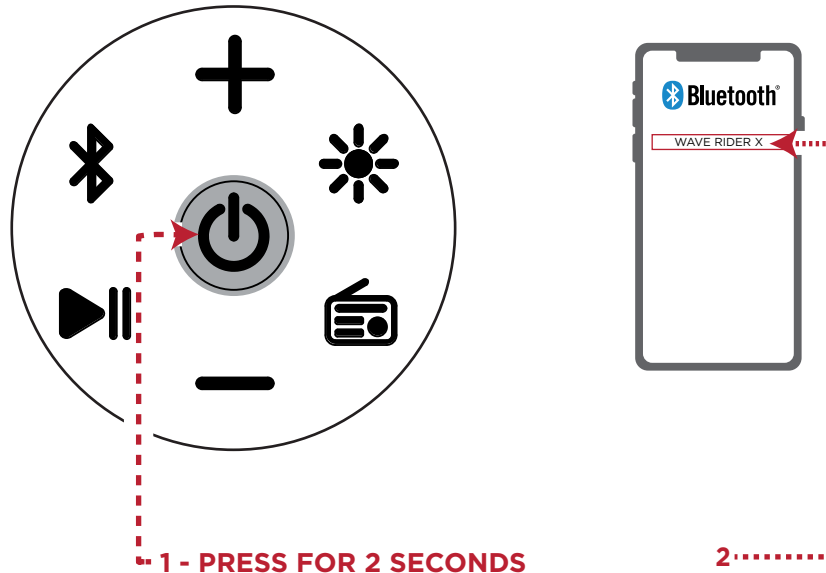
Tip: Press the + and - buttons simultaneously to hear a voice prompt of the battery level.

2. Aux In

Connect a CD player, MP3 player, or other audio source to this 1/8" (3.5 mm) input.

OPERATION

Pairing a Bluetooth® Device



1. Turn on your Bluetooth device.
2. Turn on Wave Rider™ X by holding down the **Power** button for 2 seconds. When the unit is first turned on, it will automatically enter Bluetooth pairing mode. When in pairing mode, the Bluetooth button LED will flash blue. If necessary, press the **Bluetooth** button to select Bluetooth mode.
3. Navigate to your device's Bluetooth setup screen, find **WAVE RIDER X**, and connect. If voice prompts are enabled, you will hear "Bluetooth Connected". When Bluetooth is connected, the LED will be solid blue.

Note: If your Bluetooth device prompts for a pairing code, enter "0000".

Dual Connect mode

To connect to two Bluetooth devices:

1. Connect your first Bluetooth device to Wave Rider™ X, as detailed above.
2. On your second Bluetooth device, select "Wave Rider X" to connect to.

Note: If your second Bluetooth device is connected, it will not disrupt the music that is playing from your first connected Bluetooth device.

3. When you press play on your second Bluetooth device, the music on your first connected Bluetooth device will pause, and the music on your second Bluetooth device will play through Wave Rider™ X, and vice-versa.

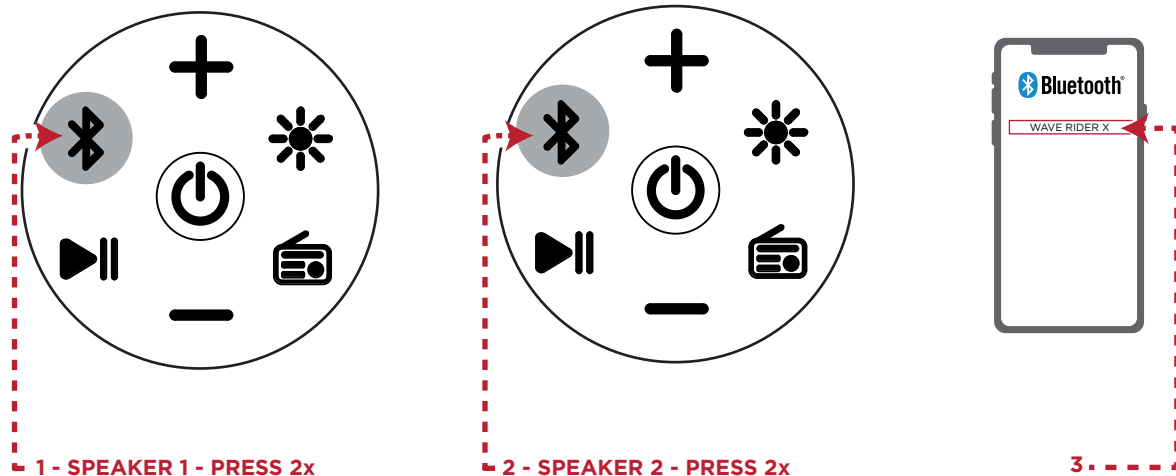
To disconnect a paired device, do any of the following:

- Turn off Bluetooth from your device's Bluetooth settings. The speaker will enter Bluetooth pairing mode to make it available for another device.
- Press the Bluetooth button to disconnect and re-enter pairing mode.

Once you have disconnected, you will hear a test tone if voice prompts are enabled. When Bluetooth is disconnected, the Bluetooth button LED will be white.

Tip: Double press the **Power** button to turn voice prompts on or off.

Linking Two Speakers



To listen to music in stereo you can link two Wave Rider™ X speakers together. One Wave Rider™ X will serve as the left speaker and the other will serve as the right speaker.

To link two Wave Rider™ X speakers together:

Note: When you begin the Stereo-Link™ process, any connected Bluetooth devices will be automatically disconnected. You can also disconnect your device prior to beginning by pressing the **Bluetooth** button.

1. Double press the **Bluetooth** button on the first speaker. This first unit pressed will be the primary speaker (Left channel).
2. Next, double press the **Bluetooth** button on the second speaker. This will be the secondary speaker (Right channel).

Note: The linking process can take up to 30 seconds to complete. Speakers should be within 75' (22.9 m) of each other to properly link. The closer the two speakers are, the quicker the link is established.

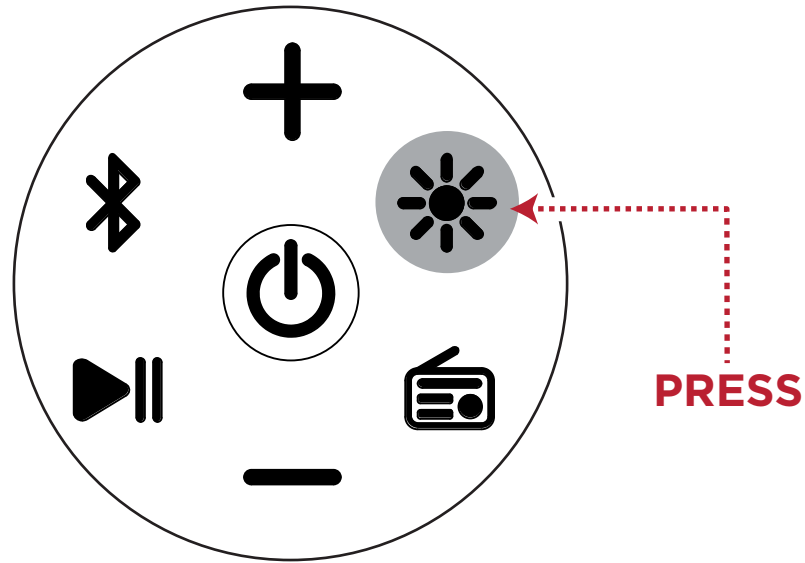
3. Once linked, the primary speaker (left) will enter Bluetooth pairing mode. The Bluetooth button will flash blue.
4. Navigate to your device's Bluetooth settings screen, find **WAVE RIDER X**, and connect. When the connection is successful, the Bluetooth button will be lit solid blue. When audio playback begins, you should hear it through both speakers. The primary speaker will play the left channel while the secondary speaker plays the right channel. Playback controls are active on both speakers.

Note: Though Wave Rider™ X can be connected to two phones at once in Bluetooth mode, it can only enter Stereo-Link™ mode with two speakers when one phone is connected.

To disconnect two speakers or cancel linking between the two, double press the **Bluetooth** button on one Wave Rider™ X.

Note: Press and hold the **Power** button on one speaker while in Stereo-Link™ mode to power off the connected speakers. Wave Rider™ X speakers powered off in Stereo-Link™ mode will automatically enter Stereo-Link™ mode the next time they are powered on and begin searching for secondary speakers to connect to.

Light Modes



When the speaker is first powered on, all LEDs will send red lights from the bottom to the top. The effect will hold for 2 seconds and then fade out. Then all LED's will fade in and out in blue until a Bluetooth device is connected to the speaker. When paired, all lights will flash blue 2 times.

Press the **Light** button repeatedly to toggle between one of the modes for the LEDs on Wave Rider™ X.

Press and hold the **Light** button for 3 seconds to turn off the speaker lights and backlights. When the lights are OFF, press and release this button to return to the previously selected light mode.

Note: For the best lighting effect, you may need to increase the volume of your connected device or input source.

The speaker LED light modes are:

- **Crazy Rainbow Beat-Sync:** The lights will move clockwise like a rainbow. The rainbow will speed up and slow down based on the bass level.
- **Starlight Effect:** Randomly selected LEDs in all zones will flash a random color and slowly fade out.
- **Fireworks:** A light streak will move from the bottom to the top LED. Then all LEDs will flash and fade down. Once the color fades away, the next color appears on the other side of the speaker and moves to the top to repeat the lighting effect.
- **Beat Sync Star:** The LEDs spin around the speaker clockwise. The speed will change speed based on bass level. The rear LEDs will light up in sync with the spinning LED speed.
- **Light Pulse Beat Sync:** All LEDs react to the bass level by changing the brightness of the LEDs. All LEDs will cycle through the color spectrum.
- **Colorful Waves:** The lights will move from right to left in a wave pattern and change color every time the wave changes direction. All LEDs will cycle through the color spectrum.

- **Two-Tone Fade:** All LEDs will fade in and out in a two-tone color as they cycle through the spectrum of colors.
- **Color Cycle:** All LEDs will be a single color while cycling through the color spectrum in a slow and smooth transition from color to color.
- **Static Color:** All LEDs stay the same color (the color can be adjusted from the ION Sound Control™ app). The default color is white unless changed in the ION Sound Control™ app.
- **Random:** The lights will randomly cycle through the effect modes every 3-5 seconds (excluding Static Color mode).
- **UI Lights:** Only the button LEDs will remain on.
- **Off:** All lights are off.

Using the Radio

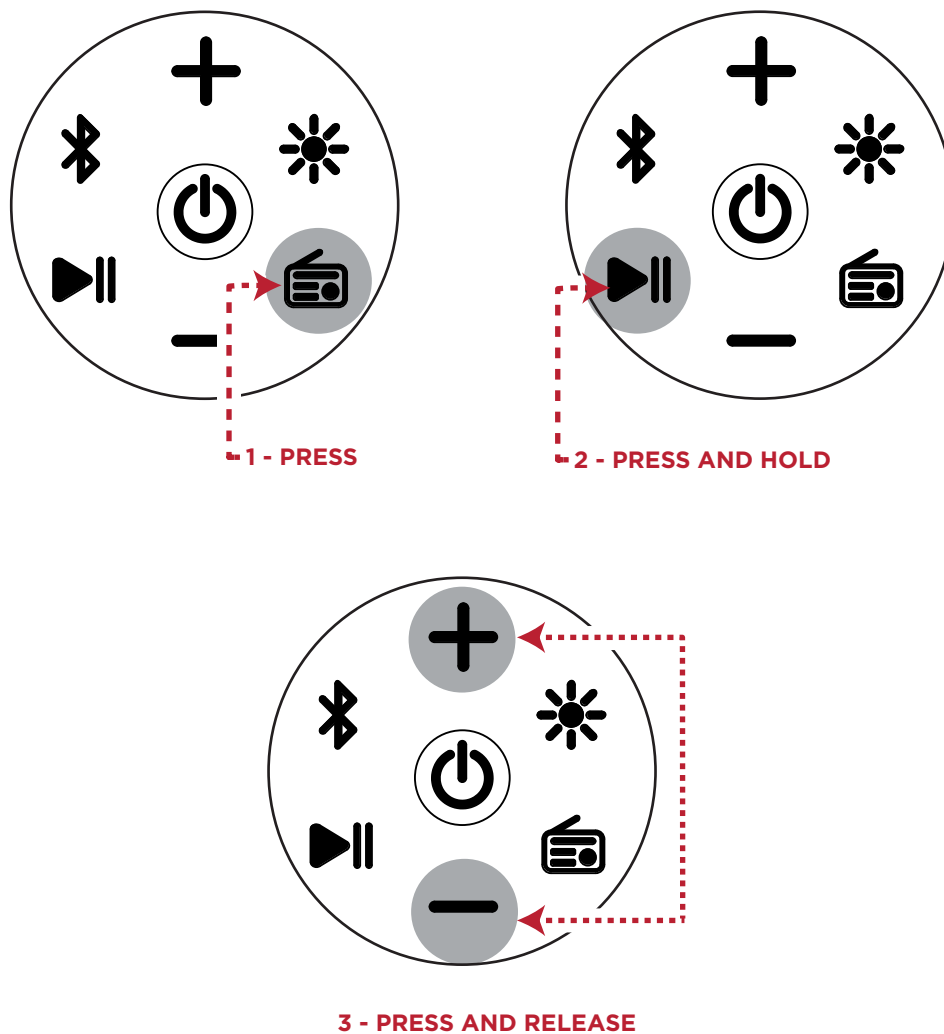
To use the radio, press the **Radio** button to turn on the FM radio.

While in radio mode, press and hold the +/- buttons to seek for the next strongest station in that direction.

To save a radio station as a preset:

1. Press and hold the **Play / Pause** button.
2. Use the +/- buttons to select a preset number, 1-6.
3. When you have selected the desired preset number, quickly press and release the **Play / Pause** button again to save it.

To recall a previously saved preset, press and release the **Play / Pause** button to cycle through the saved presets.



App Control

IMPORTANT: To ensure the best possible experience with the app, use the most current Android OS or iOS on your device.

Follow these steps to download the free app on your device:

1. Open the Apple App Store or Google Play on your device. Then, search for the **ION Sound Control™** app.
2. Follow the on-screen instructions to download and install the app. Once downloaded, the **ION Sound Control™** app will appear on your device's home screen.
3. Connect your device to Wave Rider™ X via Bluetooth. See [Operation > Pairing a Bluetooth® Device](#) to learn how to do this.
4. Open the ION Sound Control™ app. If prompted, allow the app to access your device's Bluetooth and Location Services.
5. Follow the steps on screen to find and connect to your Wave Rider™ X. Once connected, you can control various functions of the speaker, such as:
 - **Volume:** Adjust the speaker's volume.
 - **Radio:** Select the FM radio station or a saved preset.
 - **EQ:** Adjust the speaker's high, mid, and low equalization or select a preset.
 - **Voice Prompts:** Enable or disable the voice prompts.
 - **Lights:** Change the light modes or adjust the color static mode.
 - **Battery Life:** Check the speaker's battery life status.
 - **Over-The-Air Firmware Updates:** Stay up to date with the latest firmware installation.

TROUBLESHOOTING

If the unit is not charging: Make sure the power cable is properly connected to the power input and the power outlet.

If the sound is distorted: Try lowering the volume control of your sound source.

If there is too much bass: Try adjusting the tone or EQ control on your sound source to lower the bass level. This will allow you to play the music louder before clipping (distortion) occurs.

If you cannot connect your audio device to Wave Rider™ X via Bluetooth:

- Have your audio device (e.g., smartphone or tablet) and Wave Rider™ X as close together as possible while trying to connect. Make sure both the audio device and Wave Rider™ X are unobstructed by walls, furniture, etc.
- Press the **Bluetooth** button to disconnect Wave Rider™ X from any other audio device and restart the search process. If this does not work right away, power off Wave Rider™ X and then power it back on. See [Operation > Pairing a Bluetooth® Device](#) for more information.
- Reset the Bluetooth connection on your audio device by turning Bluetooth off and back on. You can find this under the Bluetooth menu in the Settings for your phone or other audio device.

If this does not work, and you have connected to Wave Rider™ X before, find Wave Rider™ X in the list of available or previously connected devices in your audio device's Bluetooth menu, tap the "gear" or "i" icon located next to it and then select **Unpair** or **Forget**. Turn Wave Rider™ X off and back on and try pairing again once it reappears in your available devices list.

Note: If Wave Rider™ X has been paired to another audio device recently that is still within range, you may need to repeat this process with that audio device to fully disconnect.

If you experience audio dropouts while playing music from a Bluetooth device, this may be happening because your unit is trying to link to another speaker. This can occur if you power off a speaker that was linked to your unit or if you have just turned on your unit and it is in Stereo-Link™ mode. To stop the audio dropouts, exit Stereo-Link™ mode by double-pressing the **Bluetooth** button. Alternatively, you can wait for your unit to link to another speaker if there is one within range.

APPENDIX

Technical Specifications

Speakers	4.0" (102 mm) drivers
USB	USB-C port for charging, 5V DC, 2A
Water Resistance Rating	IP67
Bluetooth	Profile: A2DP, AVRCP, SBC Bluetooth Version: 5.3 Range: Up to 100 ft. (30.5 m) * Stereo-Link™ Range: Up to 75 ft. (22.9 m) between speakers
Battery	Capacity: 2000 mAh/7.4V Battery Life: 10 hours ** (50% volume with LEDs off) Charge Time: Up to 3 hours
Dimensions (width x depth x height)	9.6" x 6.6" x 9.6" / 244 x 168 x 244 mm
Weight	5.0 lbs. / 2.3 kg

Specifications are subject to change without notice.

* Bluetooth and wireless reception and range are affected by walls, obstructions, and movement. For optimal performance, place the product so it is unobstructed by walls or furniture and is raised off the ground.

** Battery life may vary based on temperature, age, and volume usage of product.

Trademarks & Licenses

ION Audio is a trademark of inMusic Brands, Inc., registered in the U.S. and other countries.

The *Bluetooth* word mark and logos are owned by the Bluetooth SIG, Inc., and any use of such marks by ION Audio is under license.

App Store is a trademark of Apple Inc., registered in the U.S. and other countries.

Android and Google Play are registered trademarks of Google Inc. All other product names, company names, trademarks, or trade names are those of their respective owners.



ionaudio.com