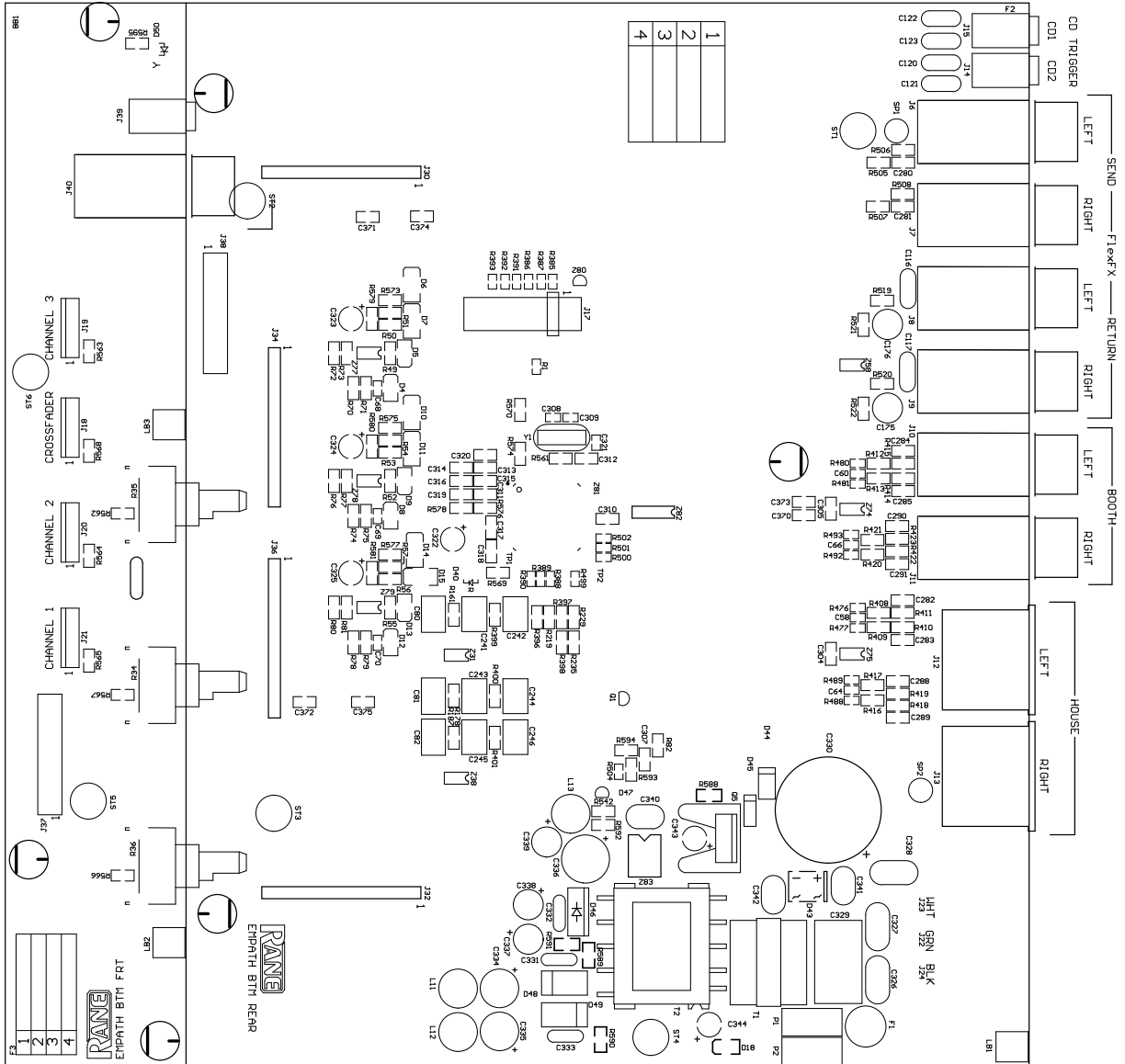


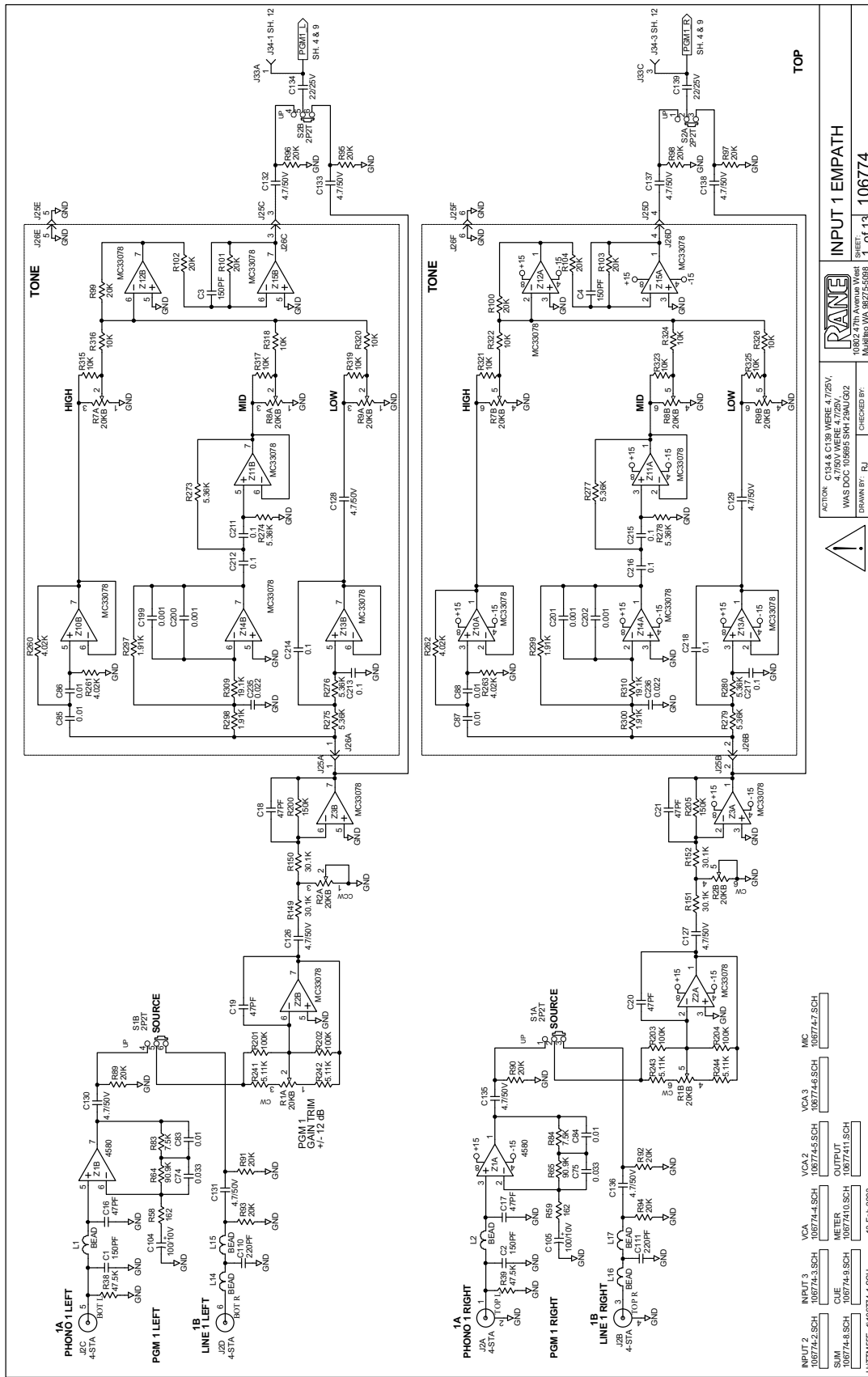
Rane Corp. (425)355-6000
 105709 DES TOP/TONE EMPATH
 ACTION: NEW PRODUCT SKH 13MAR02



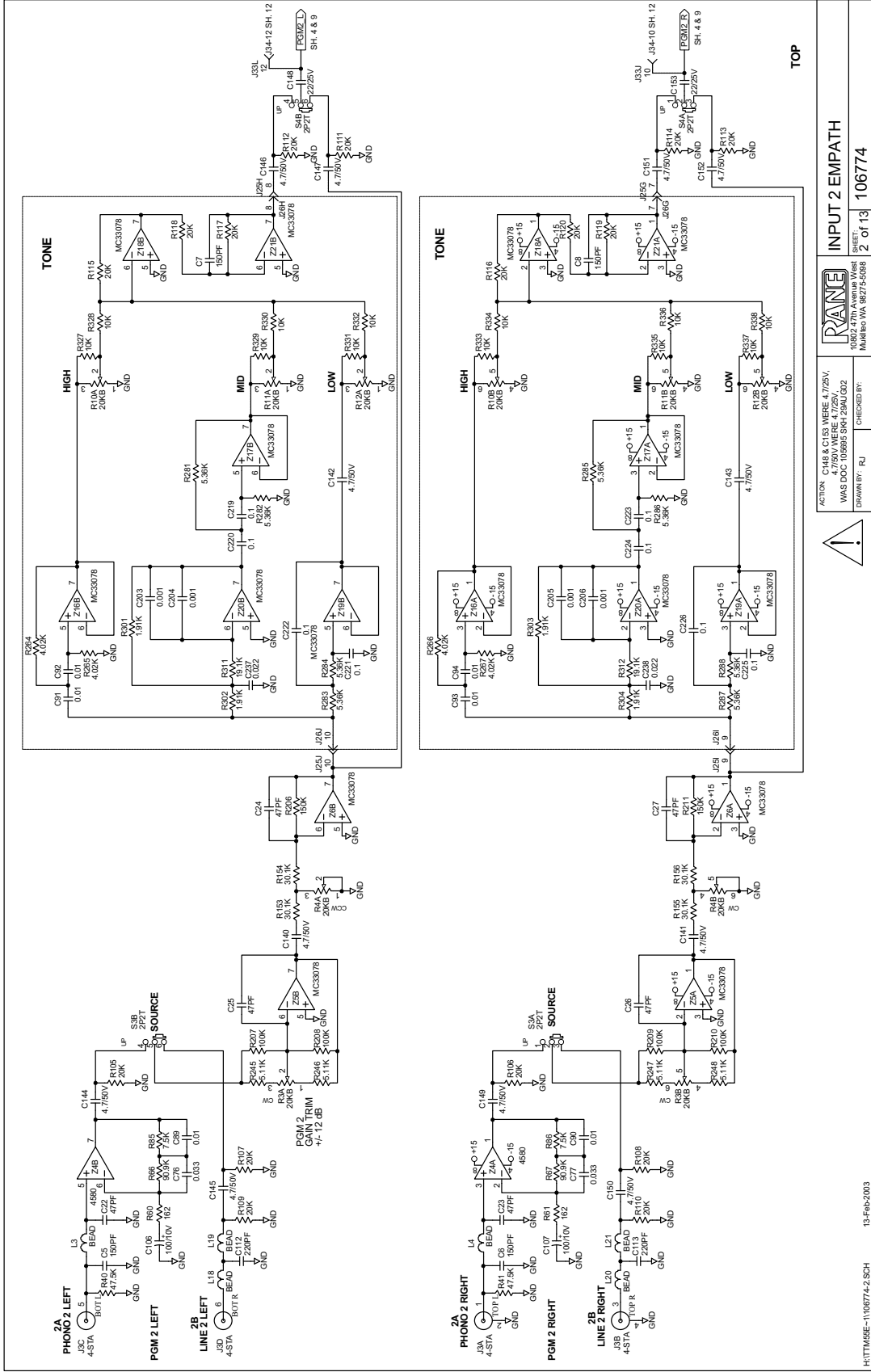


Rane Corp. (425)355-6000
 105716 DES BTM FRN/REAR EMPATH SHEET 1 OF 2
 ACTION: NEW PRODUCT RWJ 05JUN02





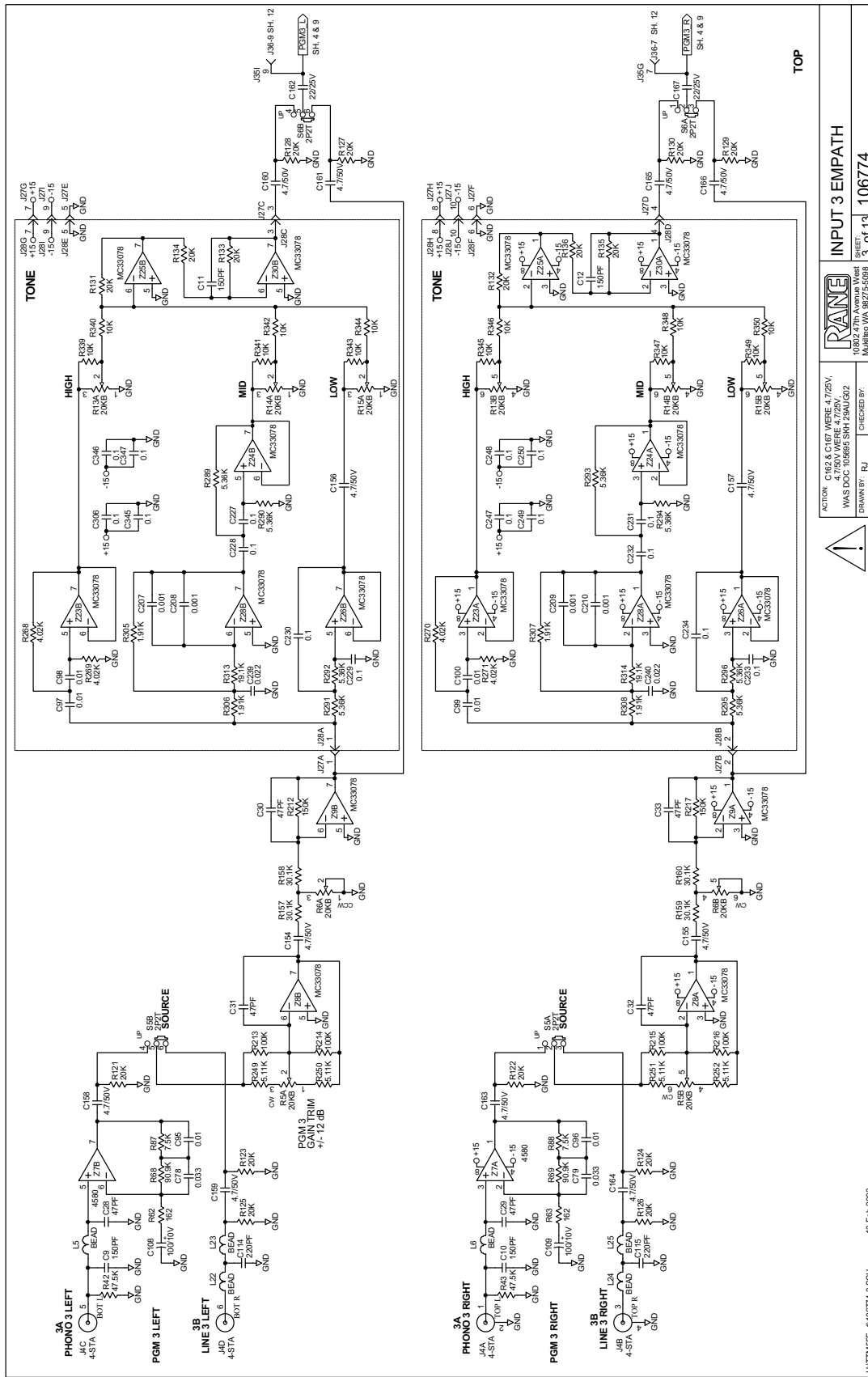
TOP



TOP

INPUT 2 EMPATH
 SHEET 2 of 13 106774
 ACTION: C148 & C153 WERE 4.725V.
 WAS DOC 10596E SR1 29AU G2
 DRAWN BY: RJ CHECKED BY:



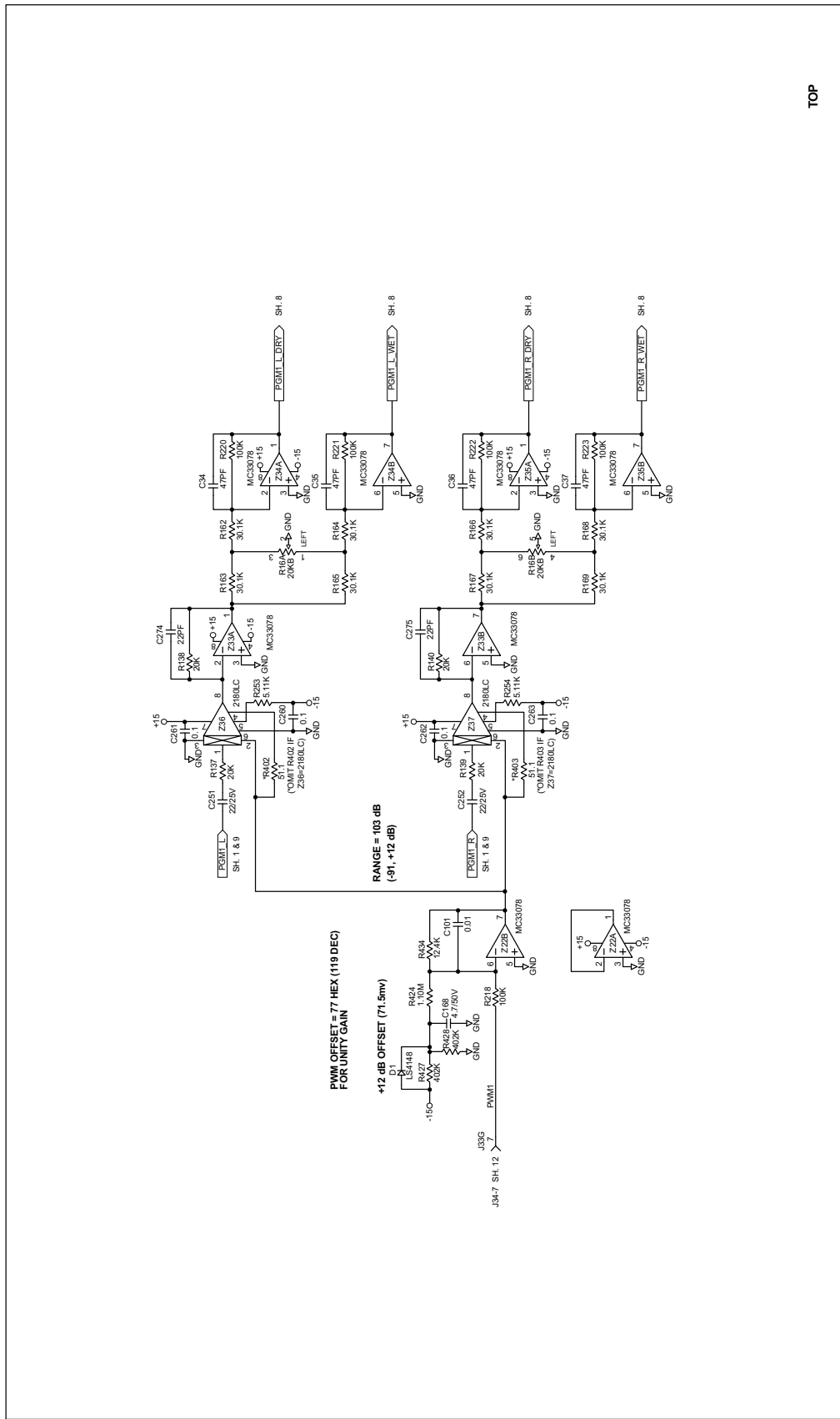


TOP

INPUT 3 EMPATH



ACTION: C162 & C167 WERE 4.750V.
 WAS DOC 10596E SR1 29AU G2
 1082-27th Avenue West
 RANEO WA 98275-9295
 SHEET 3 of 13 106774
 DRAWN BY: RJ CHECKED BY:



TOP

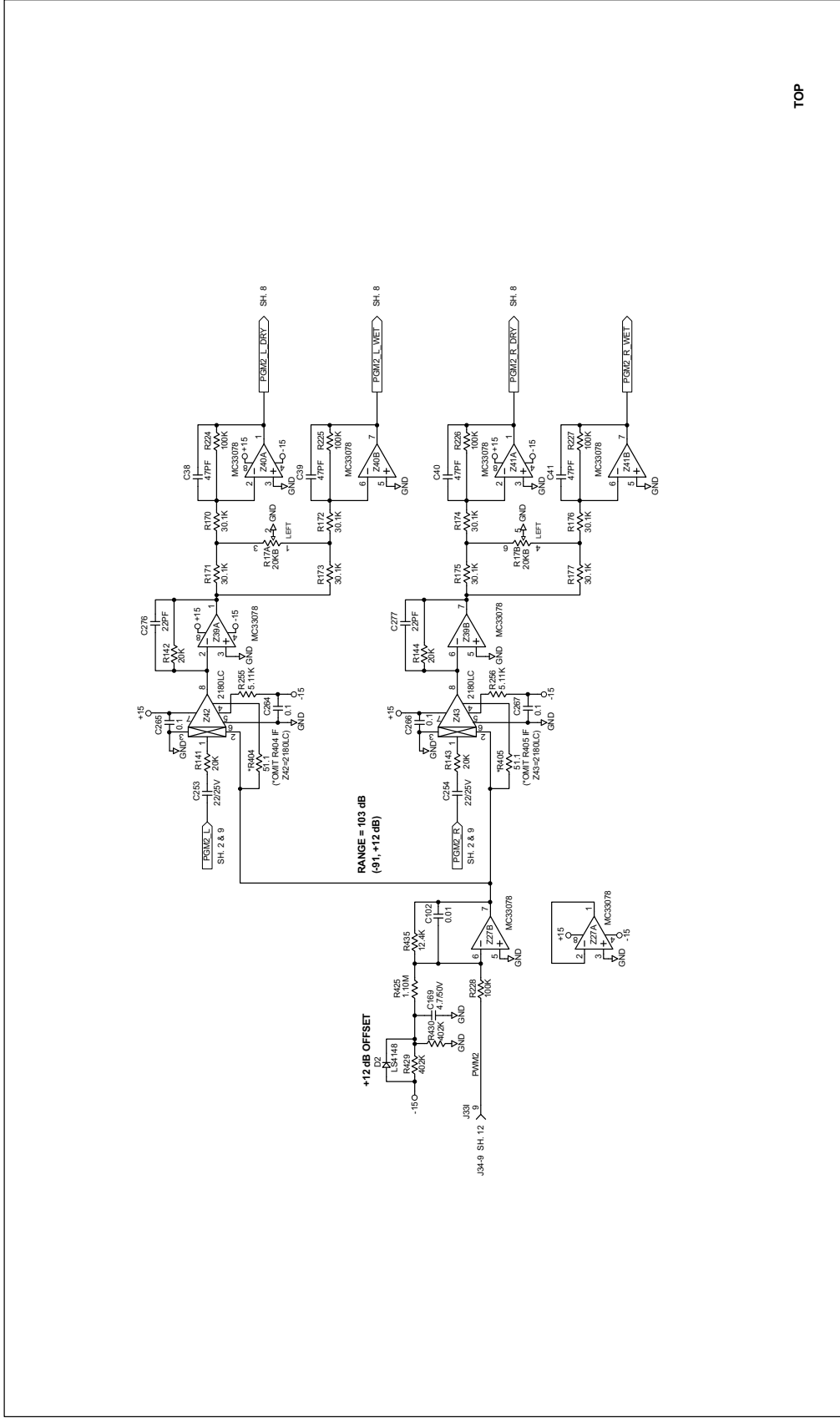
RANE
 10802 27th Avenue West
 Burien, WA 98148-3599

VCA 1 EMPATH
 SHEET 4 of 13 106774



ACTION: 4.765V WMS 4.725V
 WRONG Z FS WERE ON OMIT NOTE
 WMS DOC 10666 SKI 29AUG02

DRAWN BY: RJ CHECKED BY:



TOP

WARNING (Warning Triangle)

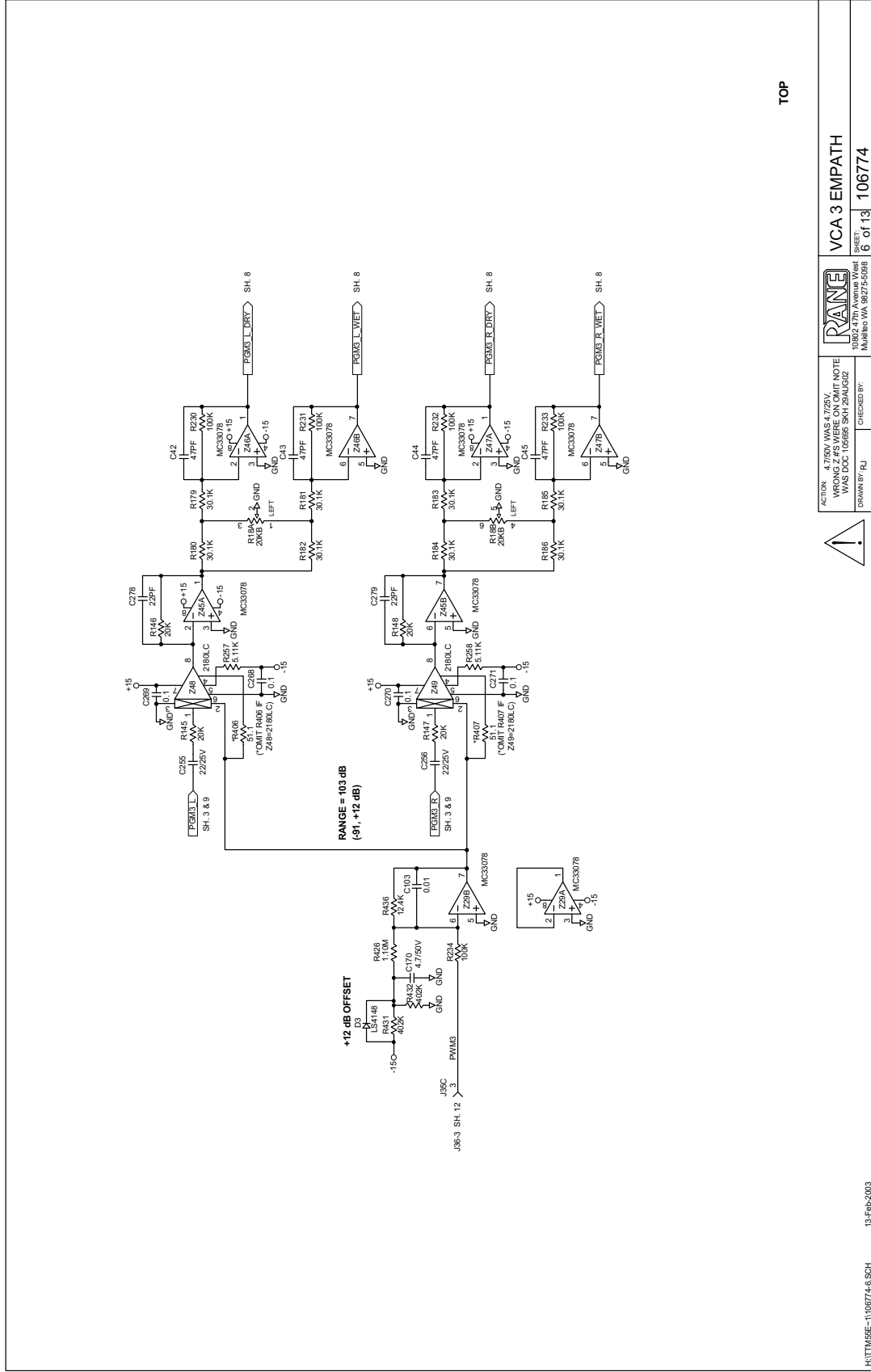
ACTION: 4.765V WMS 4.725V
 WRONG Z FS WERE ON OMIT NOTE
 WAS DOC 10666 SKI 29ALG02

DRAWN BY: RJ CHECKED BY:



RANE
 1082 27th Avenue West
 Irvine, CA 92615-3599

VCA 2 EMPATH
 SHEET 9 of 13 106774

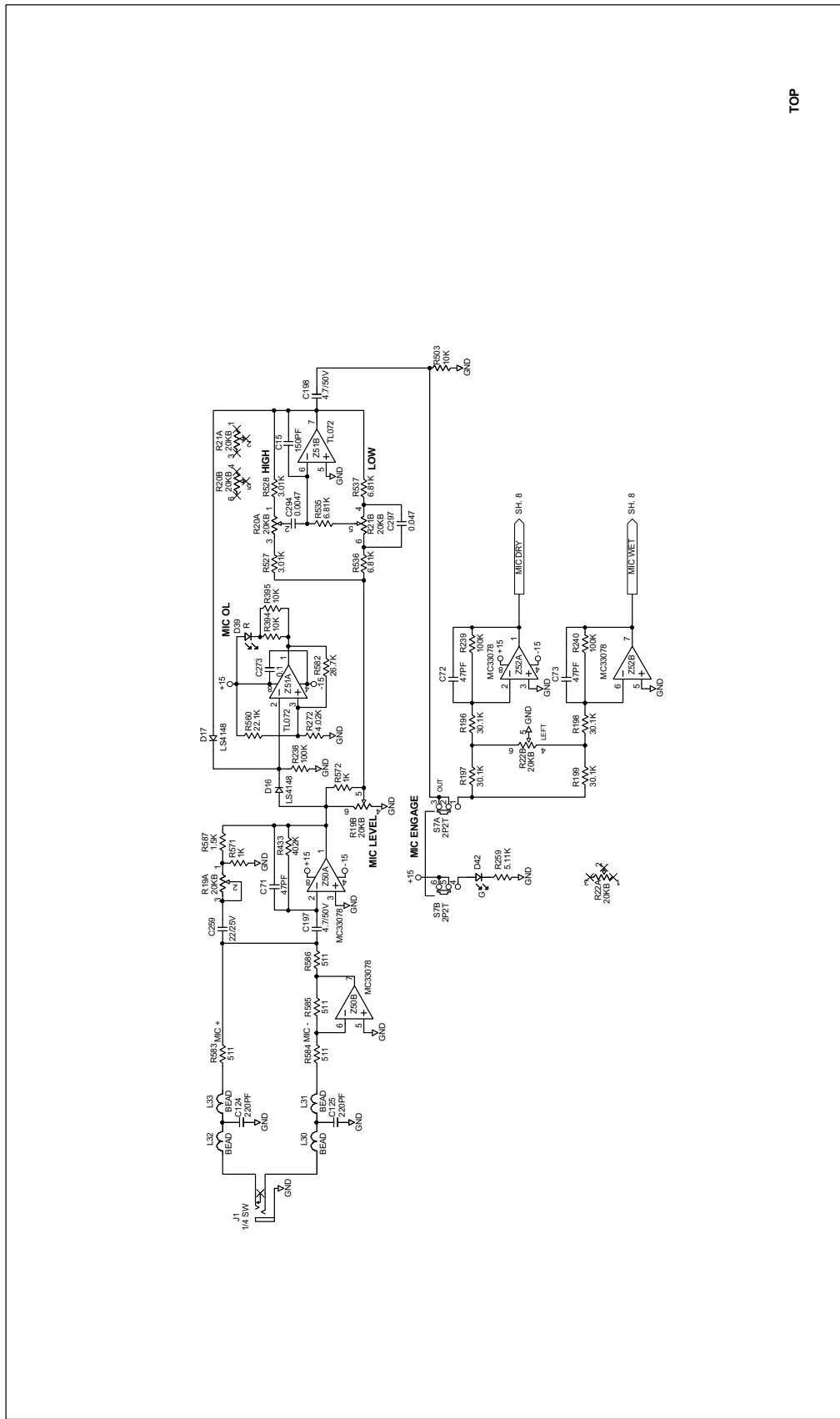





RANE
 10802 27th Avenue West
 Burien, WA 98148-3599

ACTION: 4.785V WMS 4.785V
 WRONG Z FS WERE ON OMIT NOTE
 WMS DOC 108666 SKI 29ALG02
 DRAWN BY: RJL CHECKED BY:

VCA 3 EMPATH
 SHEET 6 of 13 106774



TOP

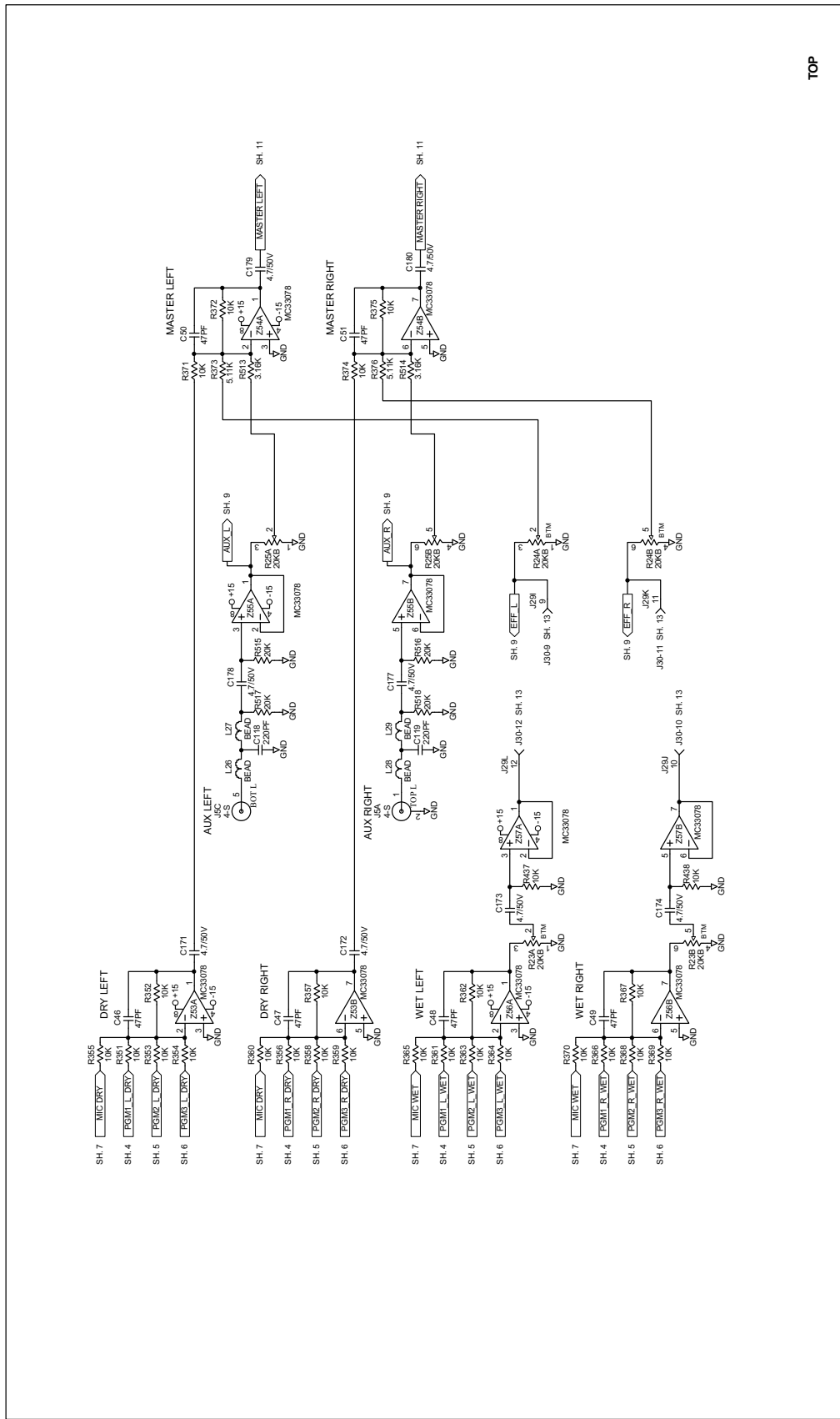


 ACTION: 4.75KV MICRE 4.75KV
 WAS DOC 106685 SKH 28AUG02
 DRAWN BY: RJ CHECKED BY:



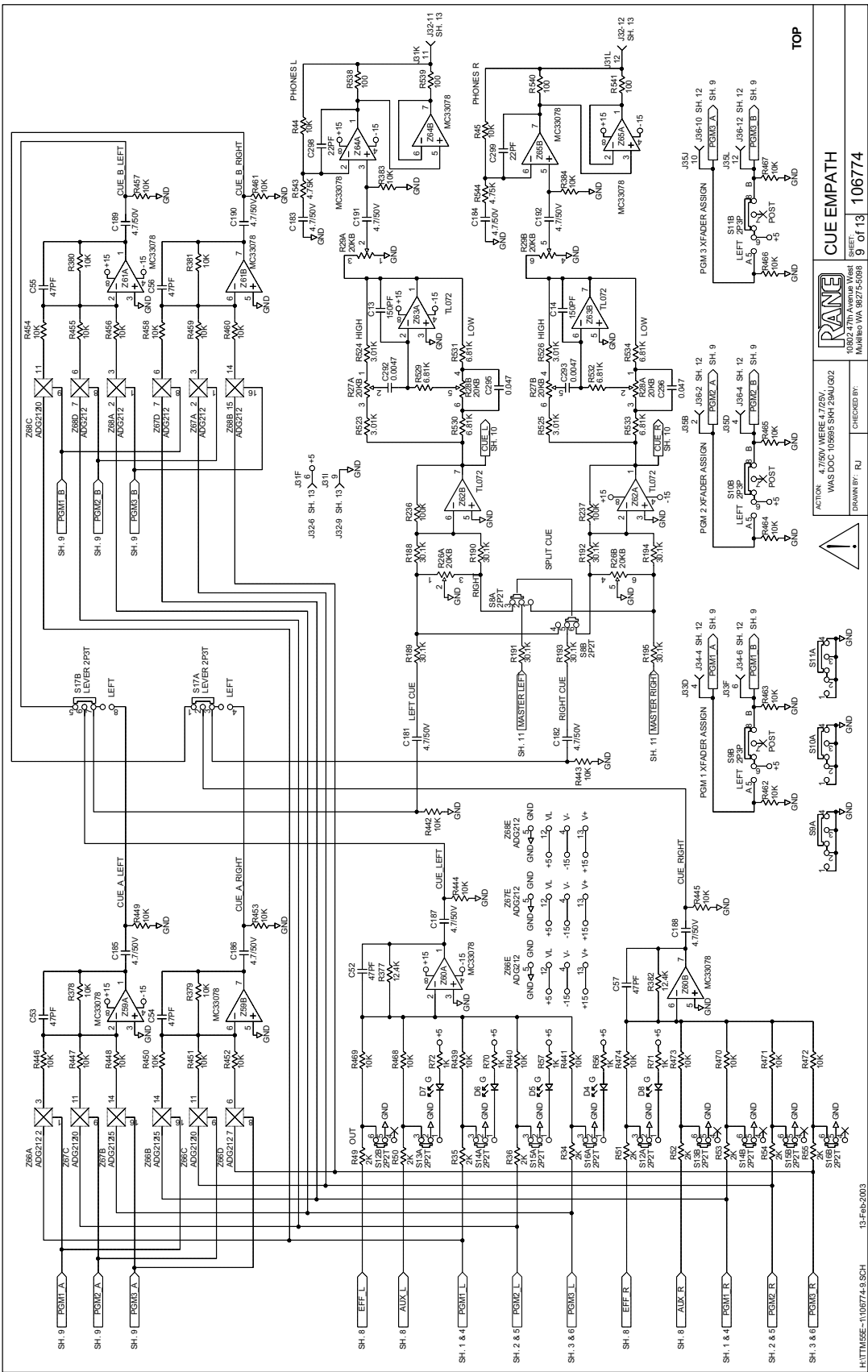
 10822 27th Avenue West
 Irvine, VA 22125-5050

MIC EMPATH
 SHEET
 7 of 13 106774



TOP

	RANE 10802 27th Avenue West Burbank, CA 91505	SUM EMPATH SHEET 8 of 13	106774
	ACTION: 4.750V/1MERE 4.750V WAS DOC: 018615 SH1.23AU.G12 DRAWN BY: RJ CHECKED BY:		



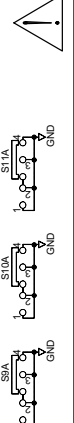
TOP

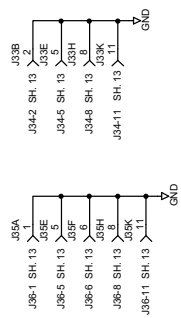
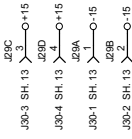
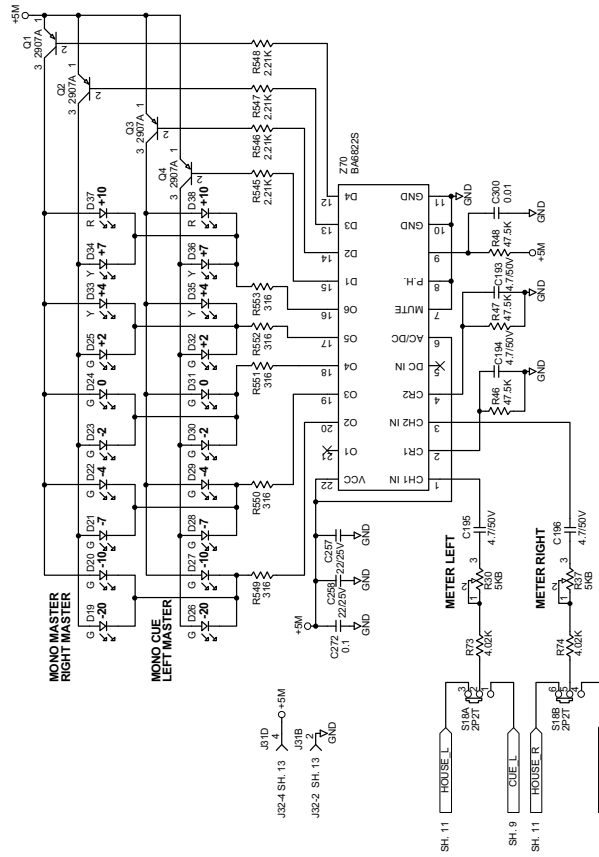
RANE
 10822 27th Avenue West
 Tukwila WA 98148

CUE EMPATH
 SHEET 9 OF 13 106774

ACTION: 4.750V MEETS 4.750V
 WAS DOC 106815 SH.12MU032

CHECKED BY: RJ
 DRAWN BY: RJ





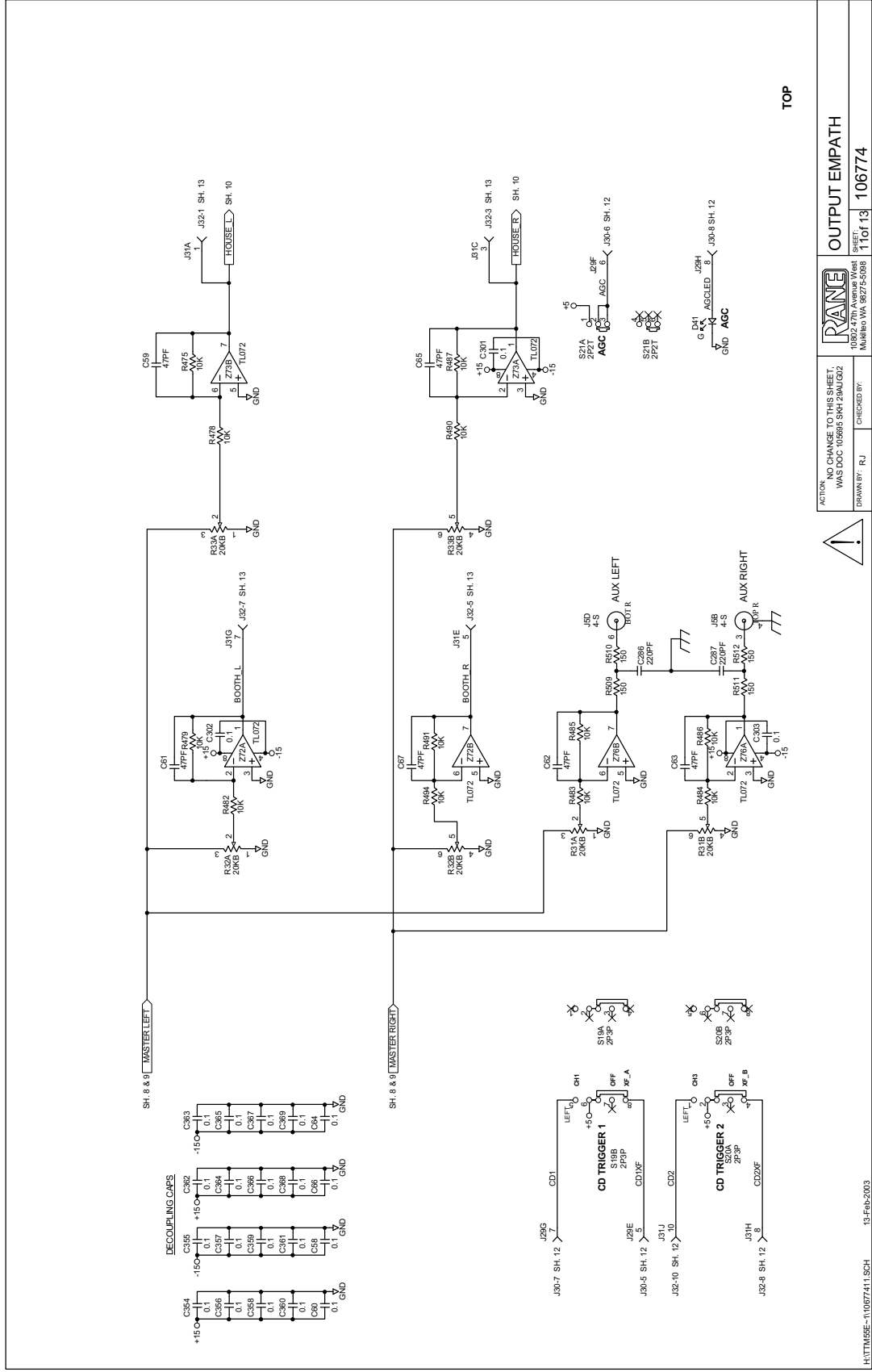
TOP



ACTION: 4.750V / 4.750V
 WAS DOC 106685 SH. 28AUG02
 DRAWN BY: RJ

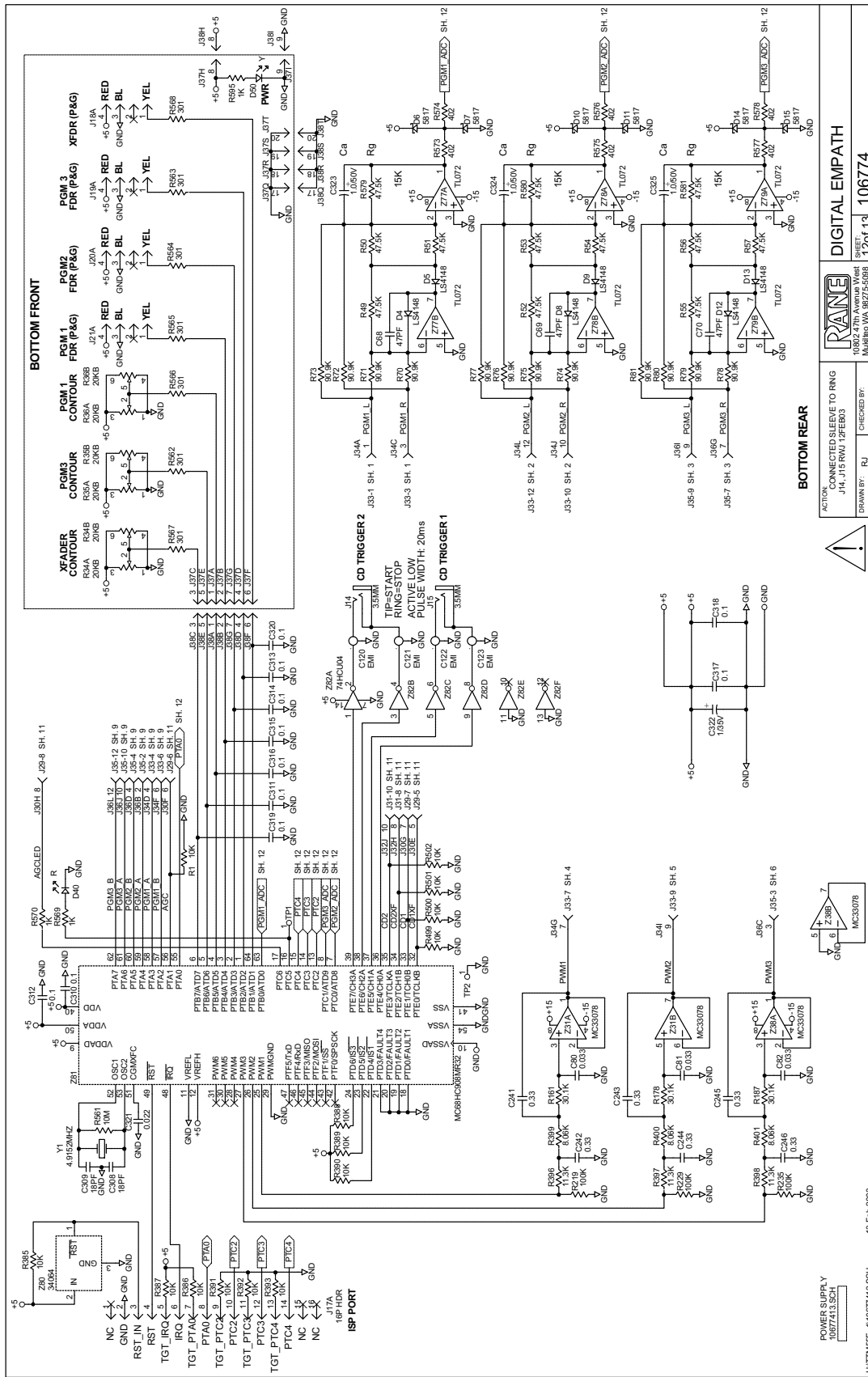


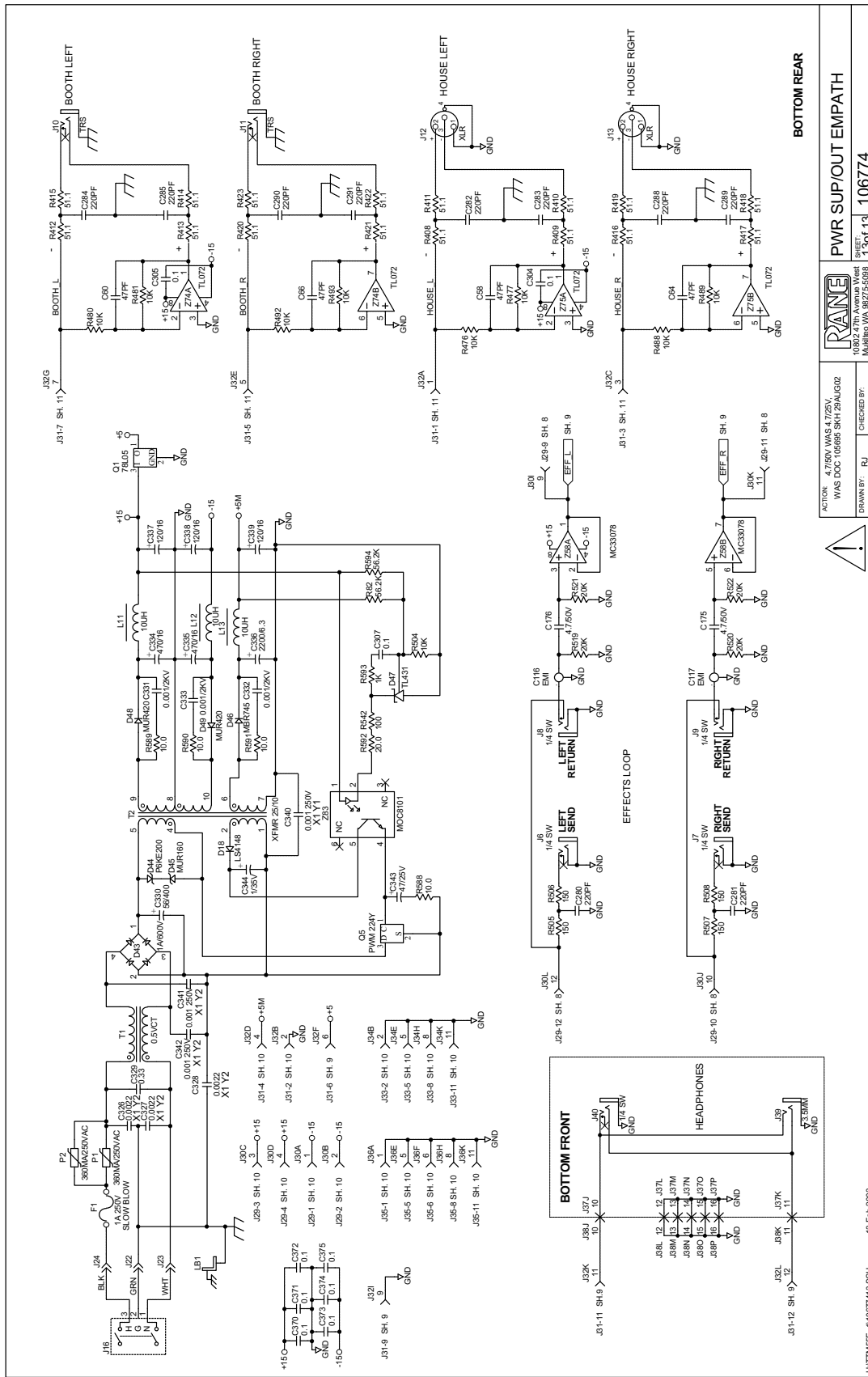
METER EMPATH
 SHEET
 100f.13 | 106774



TOP

	RANE	OUTPUT EMPATH
ACTION: NO CHANGE TO THIS SHEET. WAS DOC 105695 SHI 28U/G12	1082-27th Avenue West Richmond VA 23275-9595	SHEET 11 of 13
DRAWN BY: RJ	CHECKED BY:	106774





BOTTOM REAR

PWR SUP/OUT EMPATH

SHEET 130113 106774

ACTION: 4.7/50V MMS 4.7/50V
 WAS DOC 106685 SH1 29AUG02
 DRAWN BY: RJ CHECKED BY:

