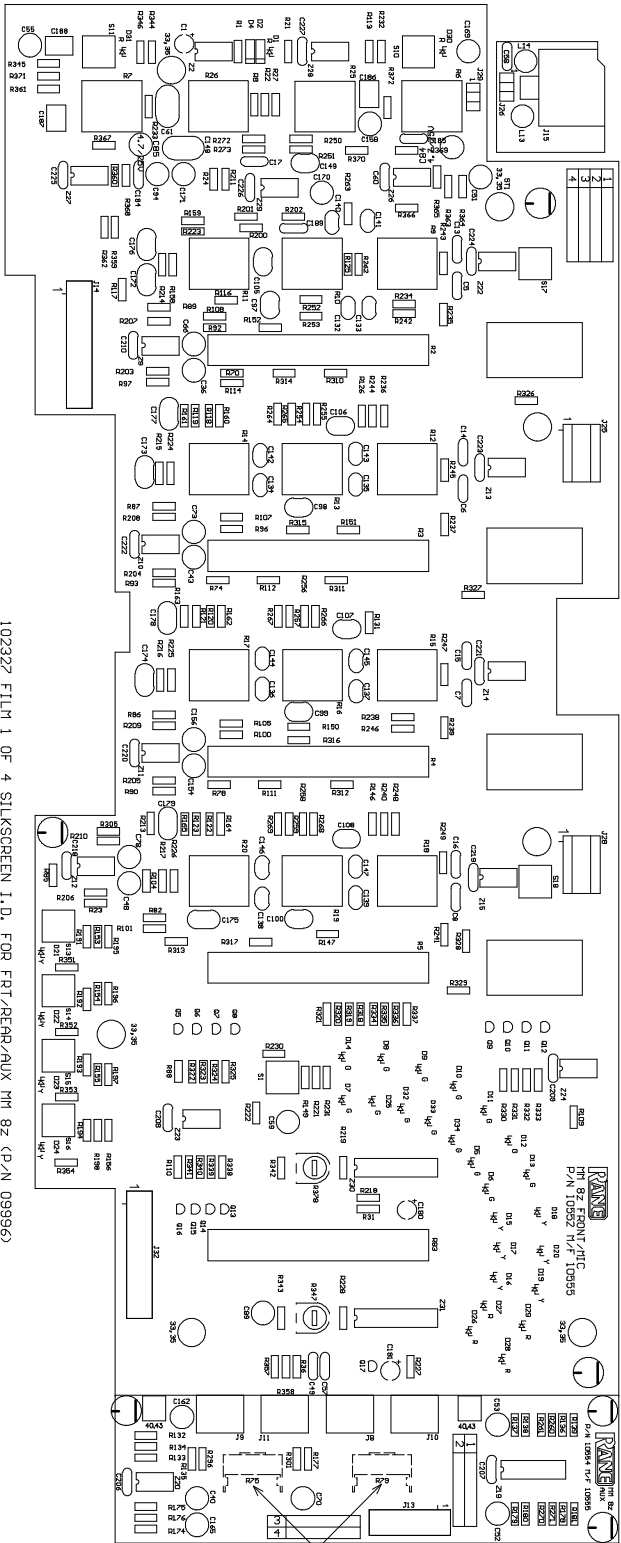
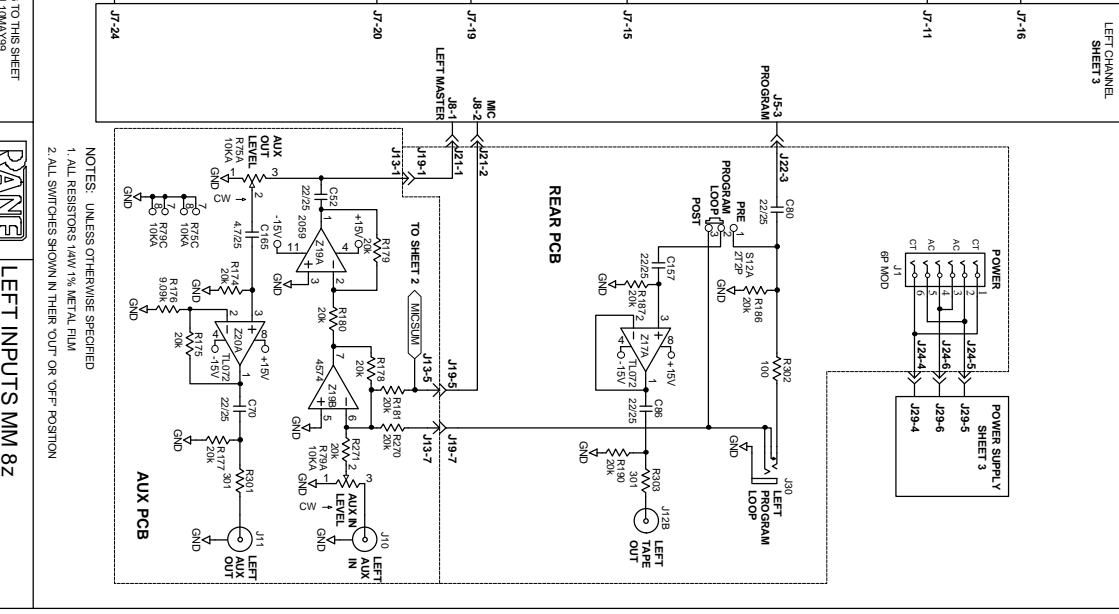
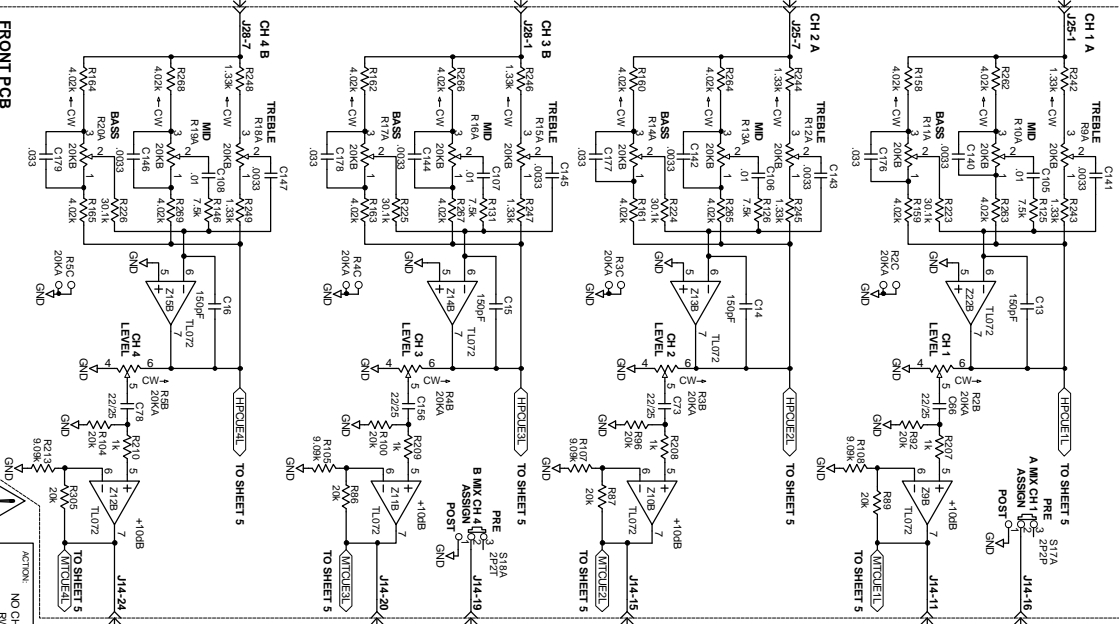
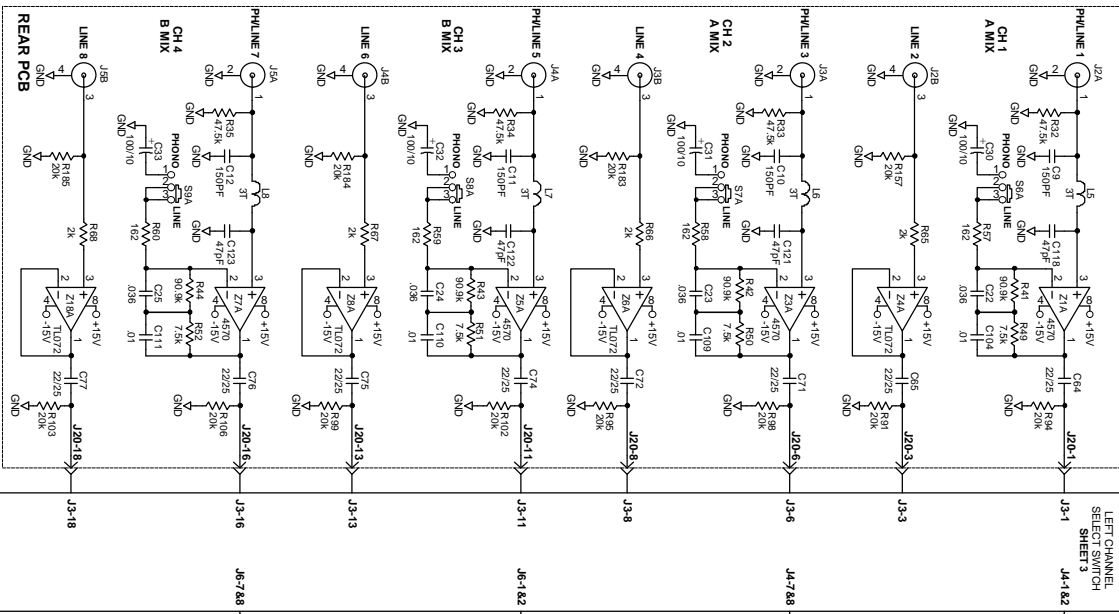


Rane Corp. (425)355-6000  
 102866 DES FRT/REAR/AUX MM 8z  
 ACTION: ADDED C84, C85 AND R85 RJJ 11MAY99



102327 FILM 1 OF 4 SILKSCREEN I.D. FOR FRT/REAR/AUX MM 8z (P/N 09996)

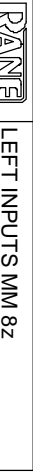
\*\*\*NOTICE\*\*\*  
 C84 & R85  
 REAR SIDE



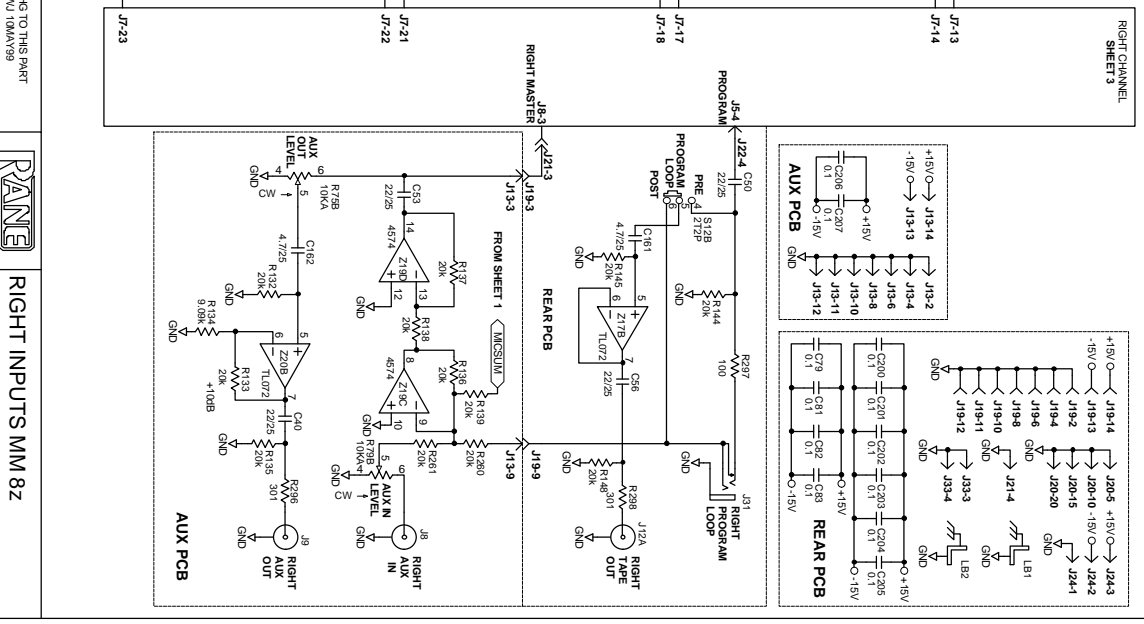
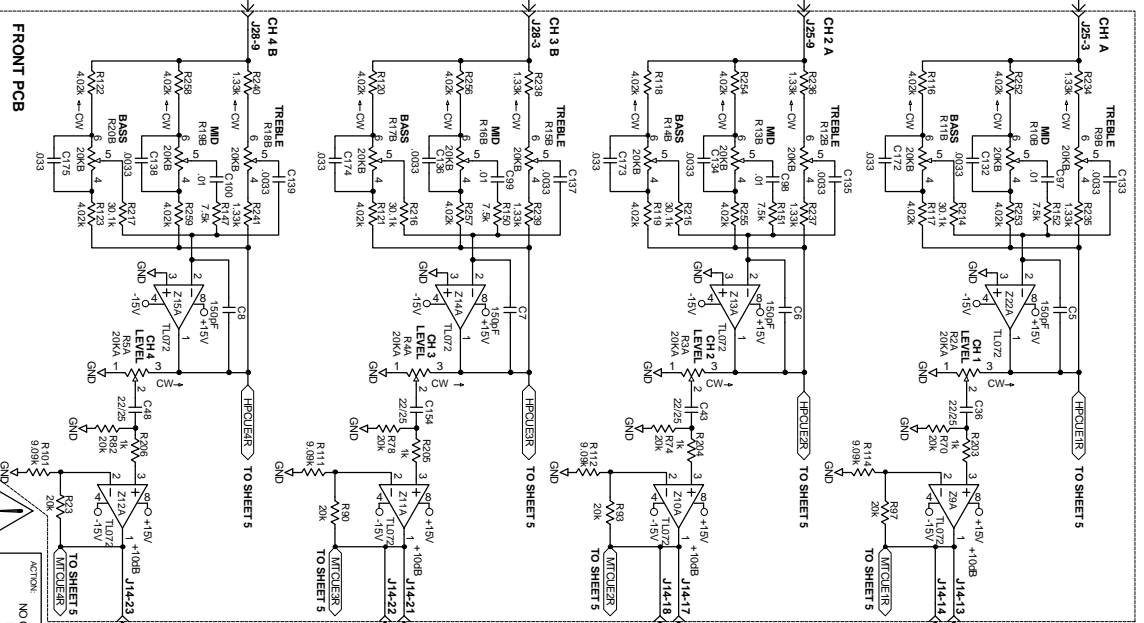
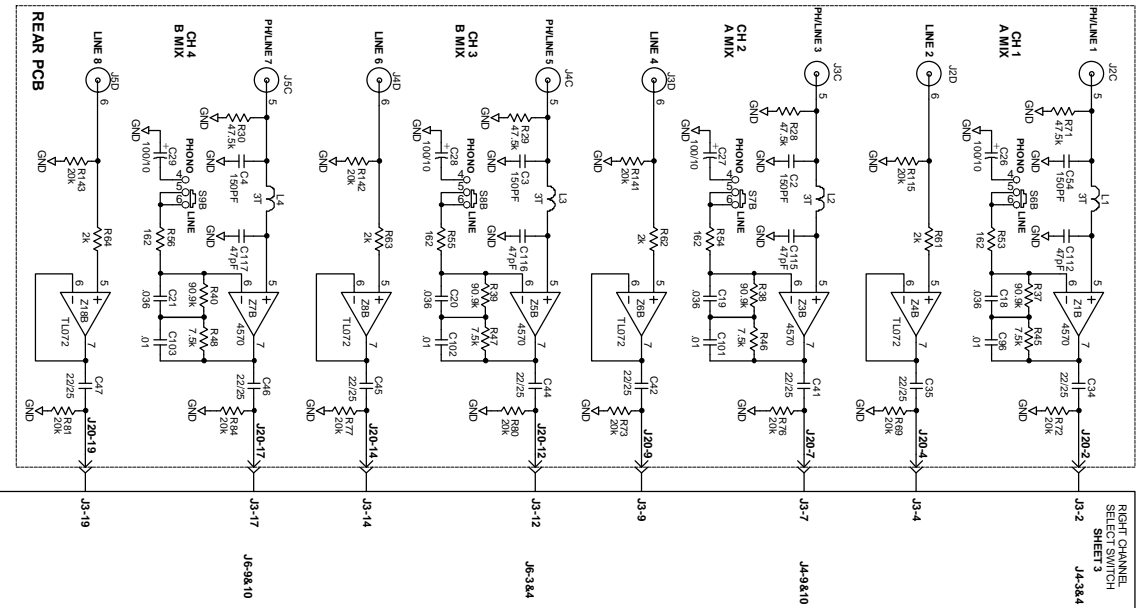
NOTES: UNLESS OTHERWISE SPECIFIED  
 1. ALL RESISTORS HAVE 1% METAL FILM  
 2. ALL SWITCHES SHOWN IN THEIR 'OUT' OR 'OFF' POSITION

NO CHG TO THIS SHEET  
 DRAWING BY: SHH  
 CHECKED BY: RJ  
 REV: 10/04/99

102870\_1.SCH  
 SHEET 1 OF 5  
 102870



102870\_1.SCH  
 SHEET 1 OF 5  
 102870

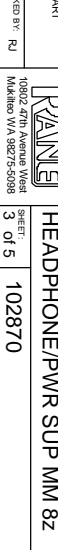
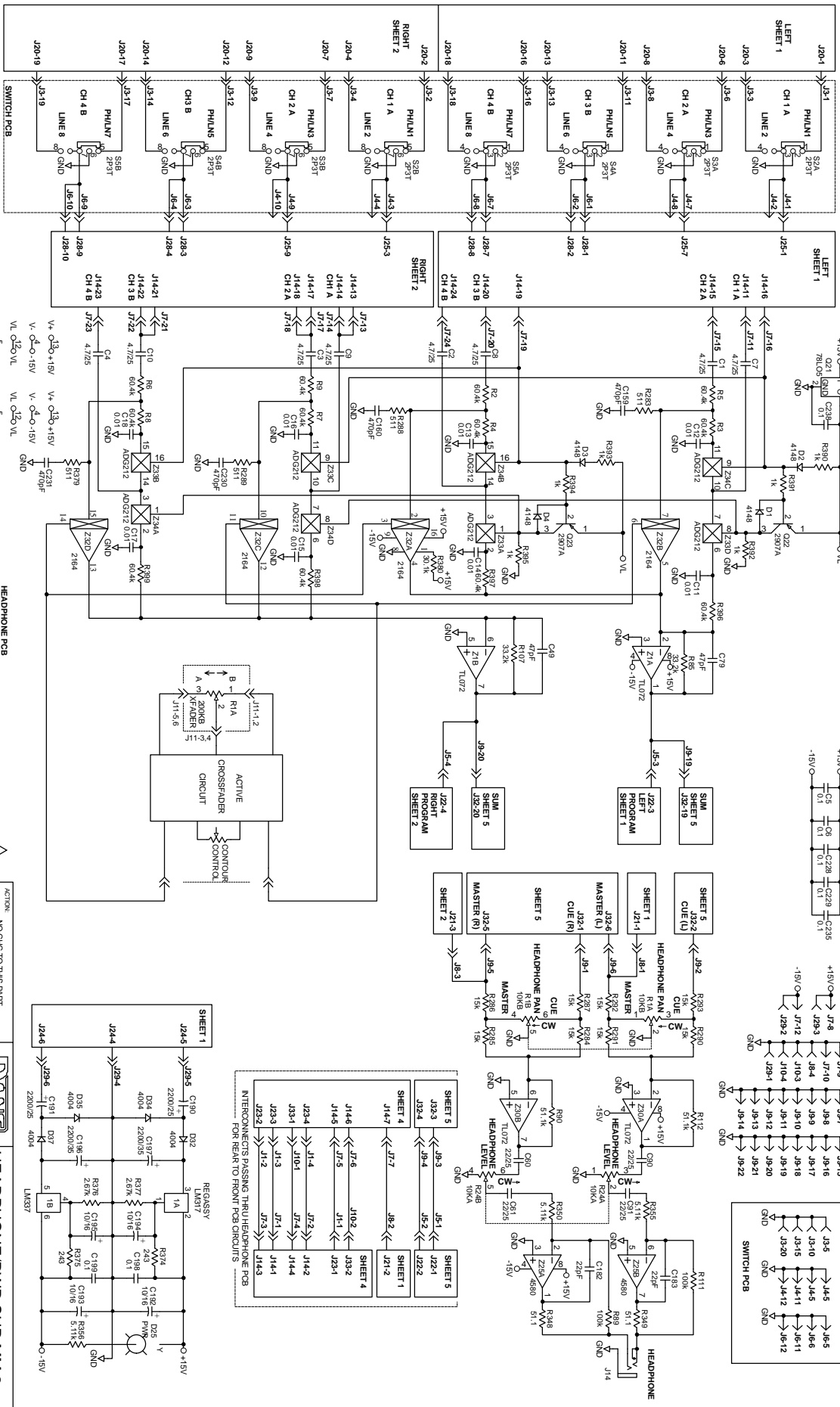


NO CHG TO THIS PART  
DRAWN BY: SKH  
CHECKED BY: RJ



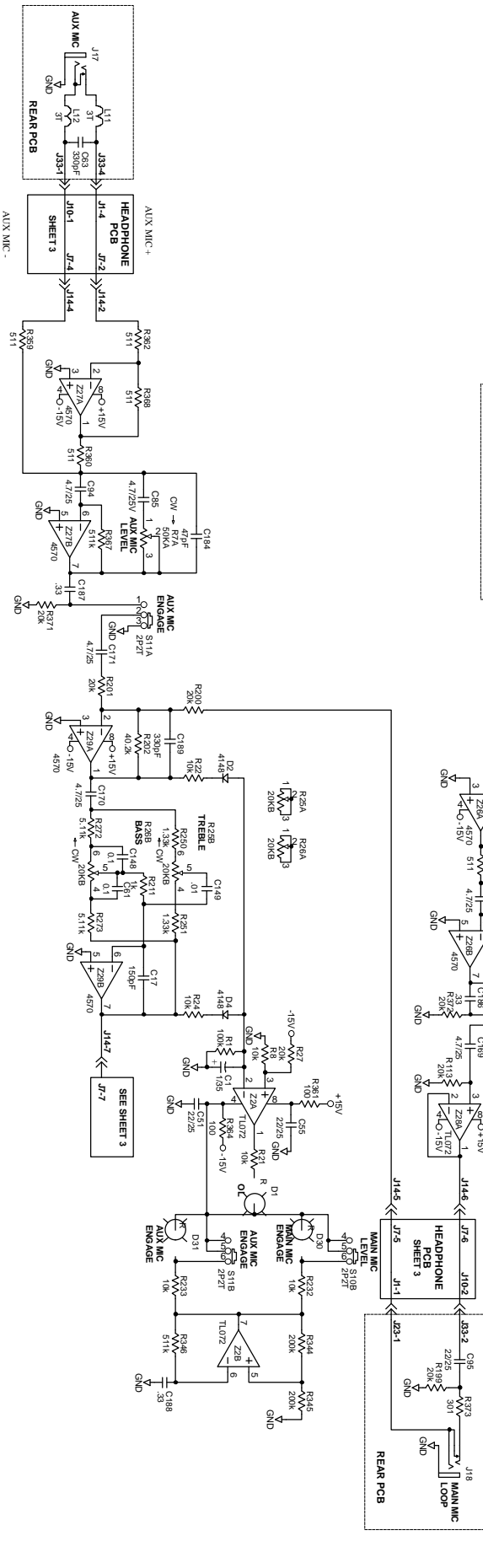
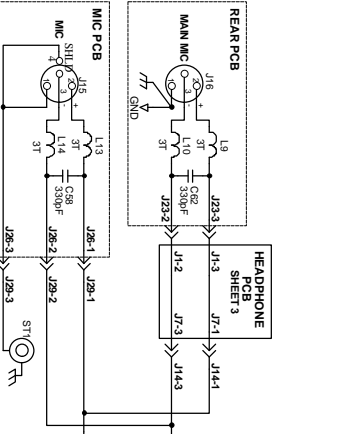
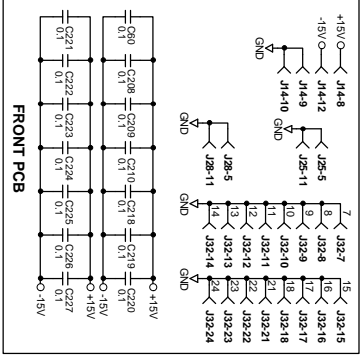
RIGHT INPUTS MM 8Z  
2 of 5  
102870

1000 4th Street  
Makana, V.A. 98275-5088



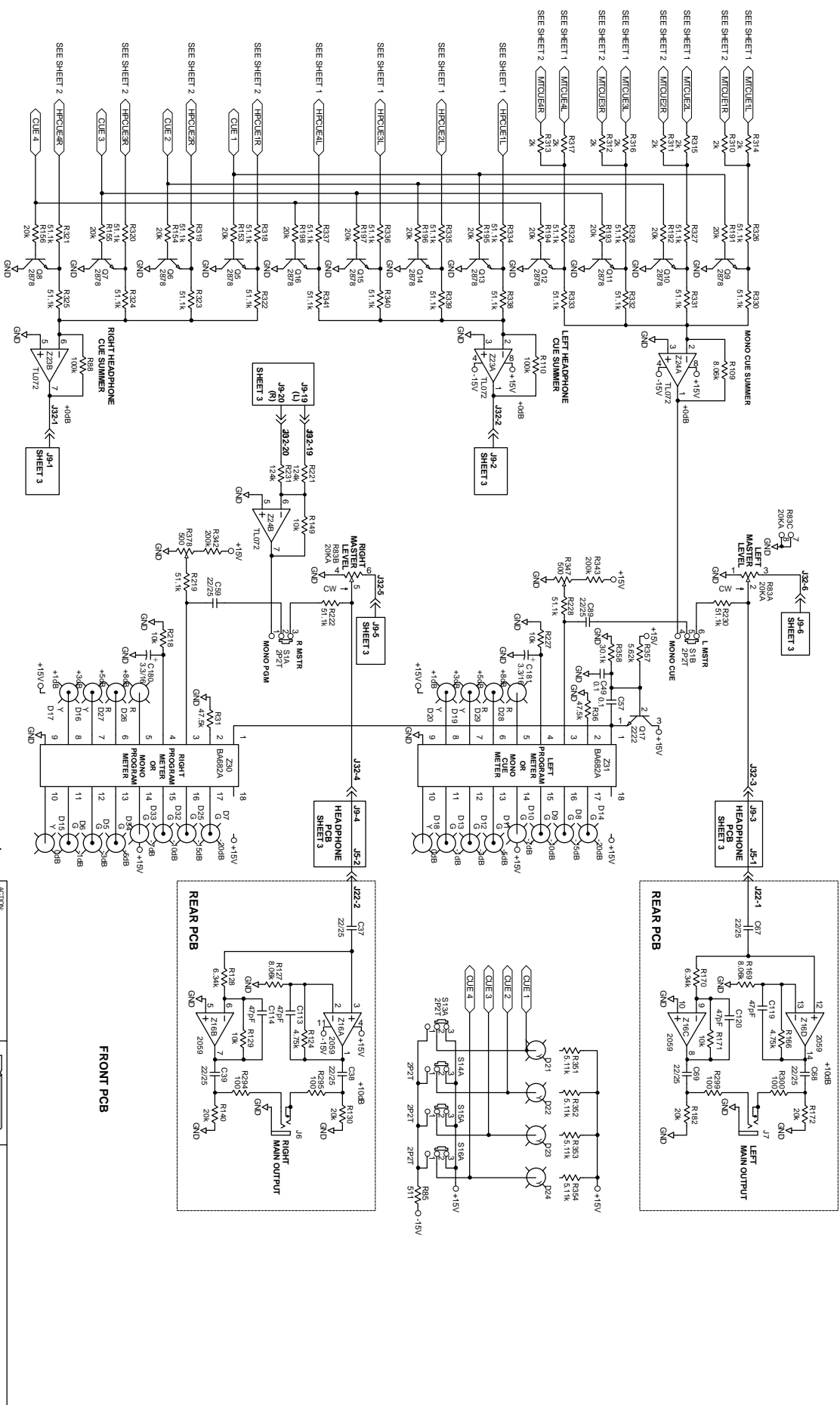
ACTION: NO CHG TO THIS PART  
 RVD: 10/04/99  
 DRAWN BY: SKH  
 CHECKED BY: RJ

HEADPHONE/PWR SUP MM 8Z  
 3 of 5  
 102870



H:\MMA21\02870\_4.SCH 10/18/99

ACTION:			
ADDED (2) 4/7/25 CAPS, CH8, CS5			
REV1 (04/04/99)			
DESIGN BY:	SKH	CHECKED BY:	RJ
		10800 A Street, Berkeley, CA 94704 (415) 875-5088 FAX (415) 875-5098	
MIC MM 8Z		SHEET 4 OF 5	
102870			



ACTION:	ADDED RES. 511 OHM
DRAWN BY:	SKH
CHECKED BY:	RJ
DATE:	5/01/5
DESIGNER:	102870

OUTPUTS MM 8z

REVISED BY: MARIANO VIALI  
MARIANO VIALI 98275-5088