

101735-2 101735-3 101735-4 101735-5 101735-6 101735-7

101735-2-SCH 101735-3-SCH 101735-4-SCH 101735-5-SCH 101735-6-SCH 101735-7-SCH

HMP22X101735-1-SCH 18-MAR-1988

101735-2 101735-3 101735-4 101735-5 101735-6 101735-7

101735-2-SCH 101735-3-SCH 101735-4-SCH 101735-5-SCH 101735-6-SCH 101735-7-SCH

18-MAR-1988

! (Warning symbol)

ACTION:
PART NOT CHANGED NEW DOC#

CHECKED BY: RGH

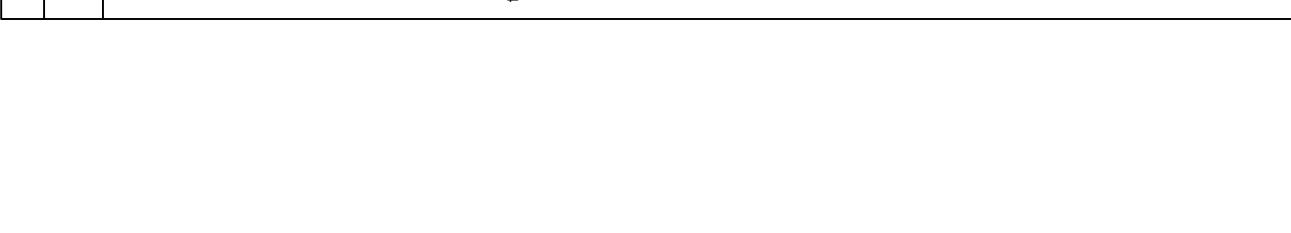
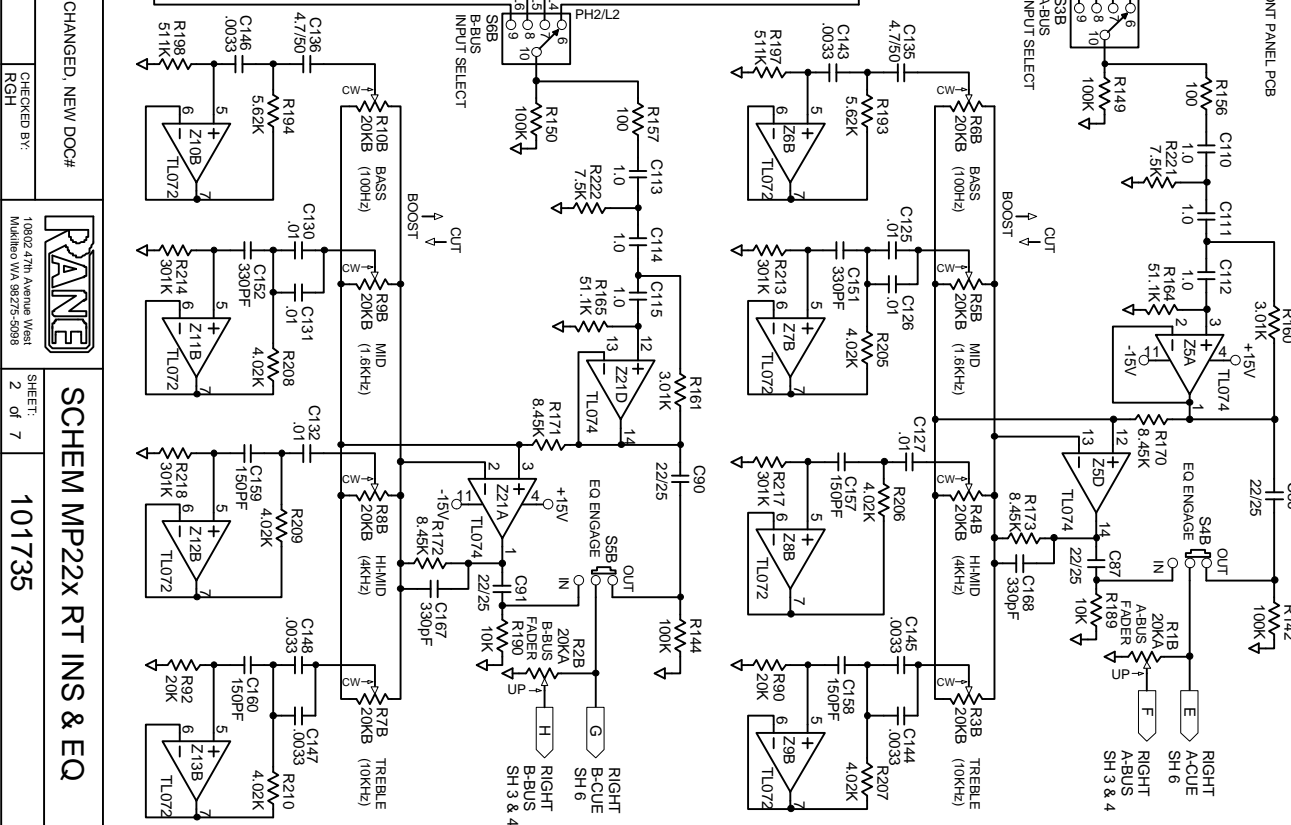
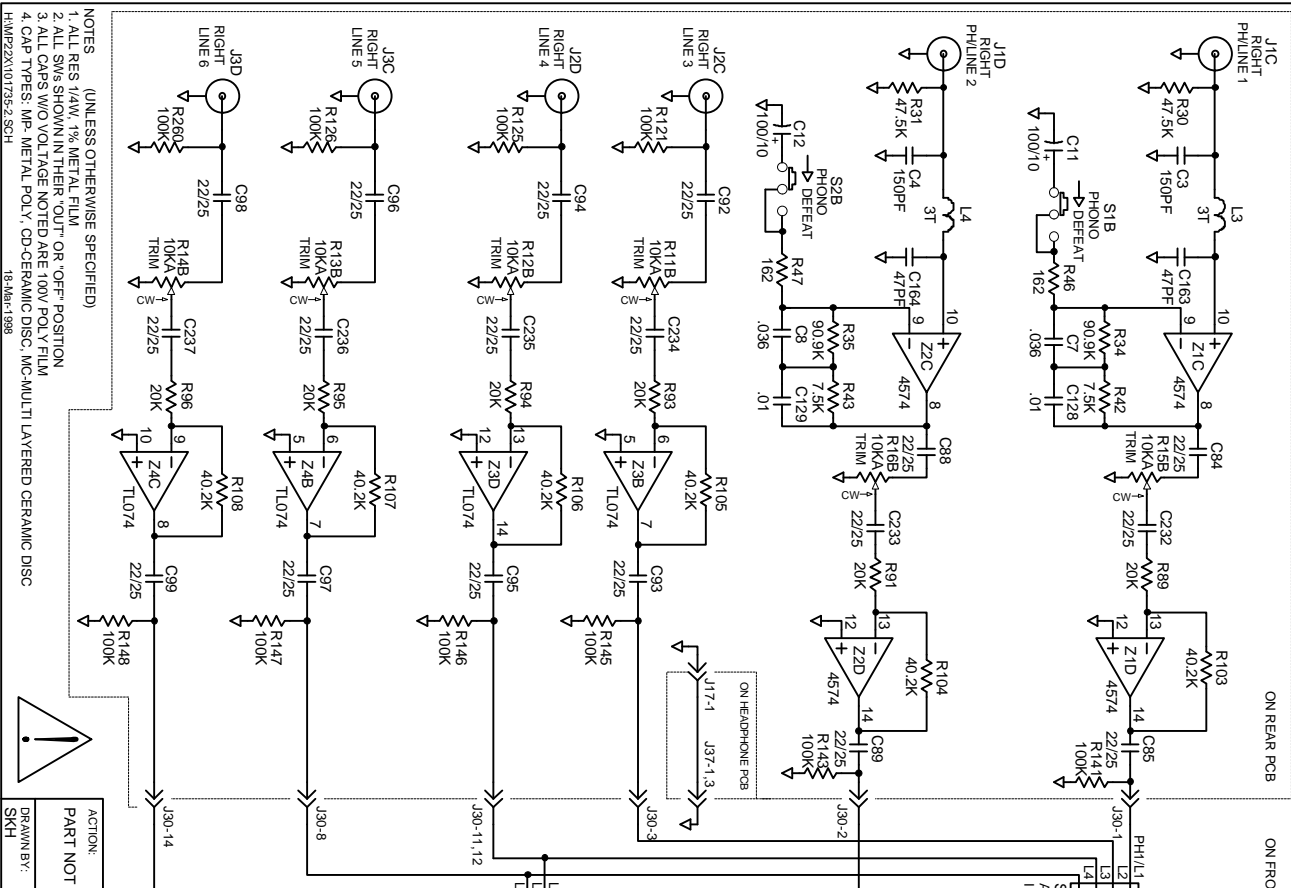
10302 47th Avenue West
Maple Ridge, BC V2X 3S9

PANE

SHEET: 1 of 7

SCHEM MP 22X LTINS & EQ

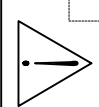
101735



NOTES (UNLESS OTHERWISE SPECIFIED)

1. ALL RES 1/4W, 1% METAL FILM
2. ALL SWS SHOWN IN THEIR "OUT" OR "OFF" POSITION
3. ALL CAPS W/O VOLTAGE NOTED ARE 100V POLY/FILM
4. CAP TYPES: MP- METAL POLY, CD-CERAMIC DISC, MC-MULTI LAYERED CERAMIC DISC

HMP22X101735-2.SCH
18-MAR-1988



ACTION:
PART NOT CHANGED NEW DOC#

DRAWN BY: SKH
CHECKED BY: RGH

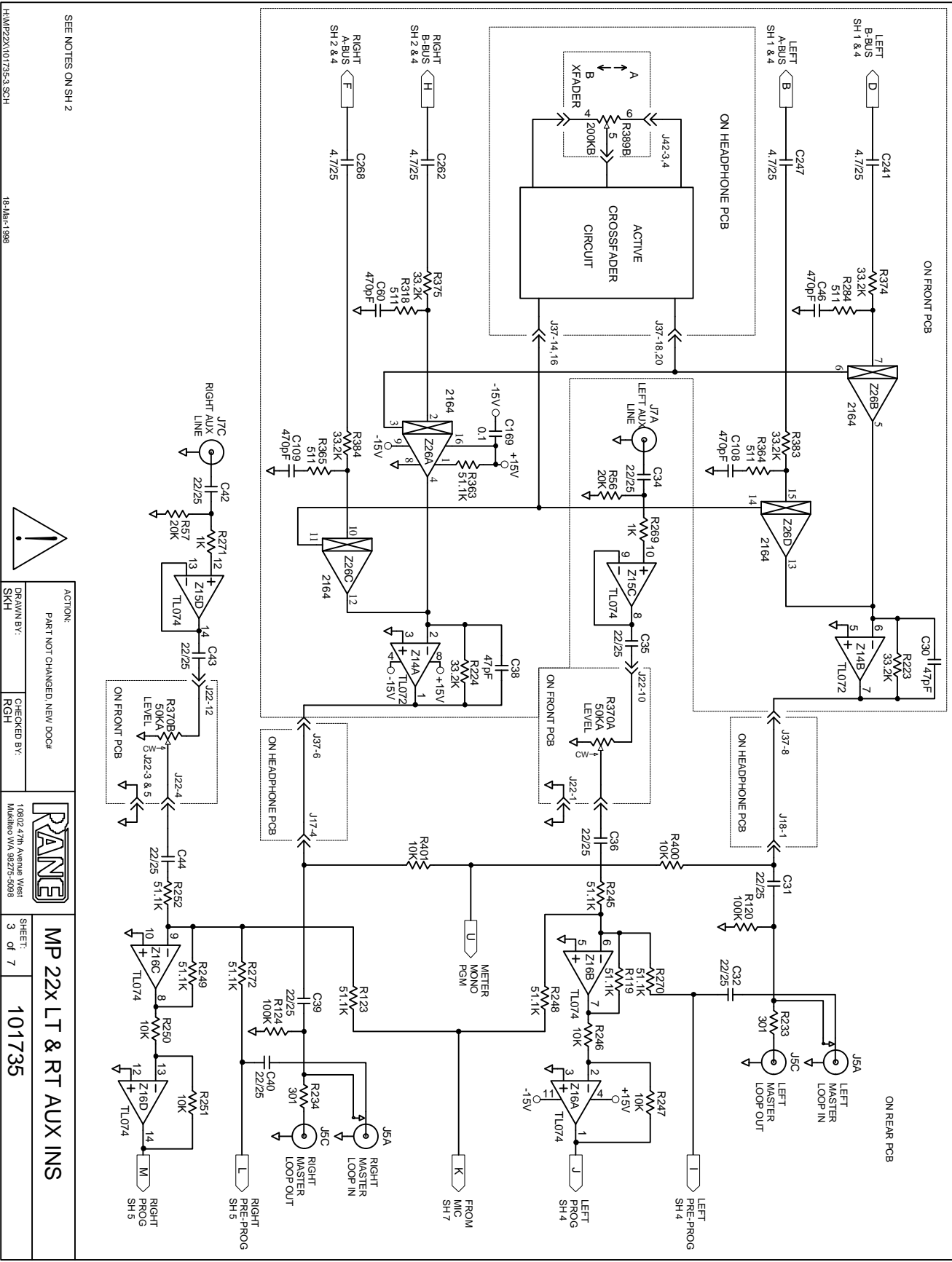
18002 47th Avenue West
Minnetonka, MN 55345-3689

PANE

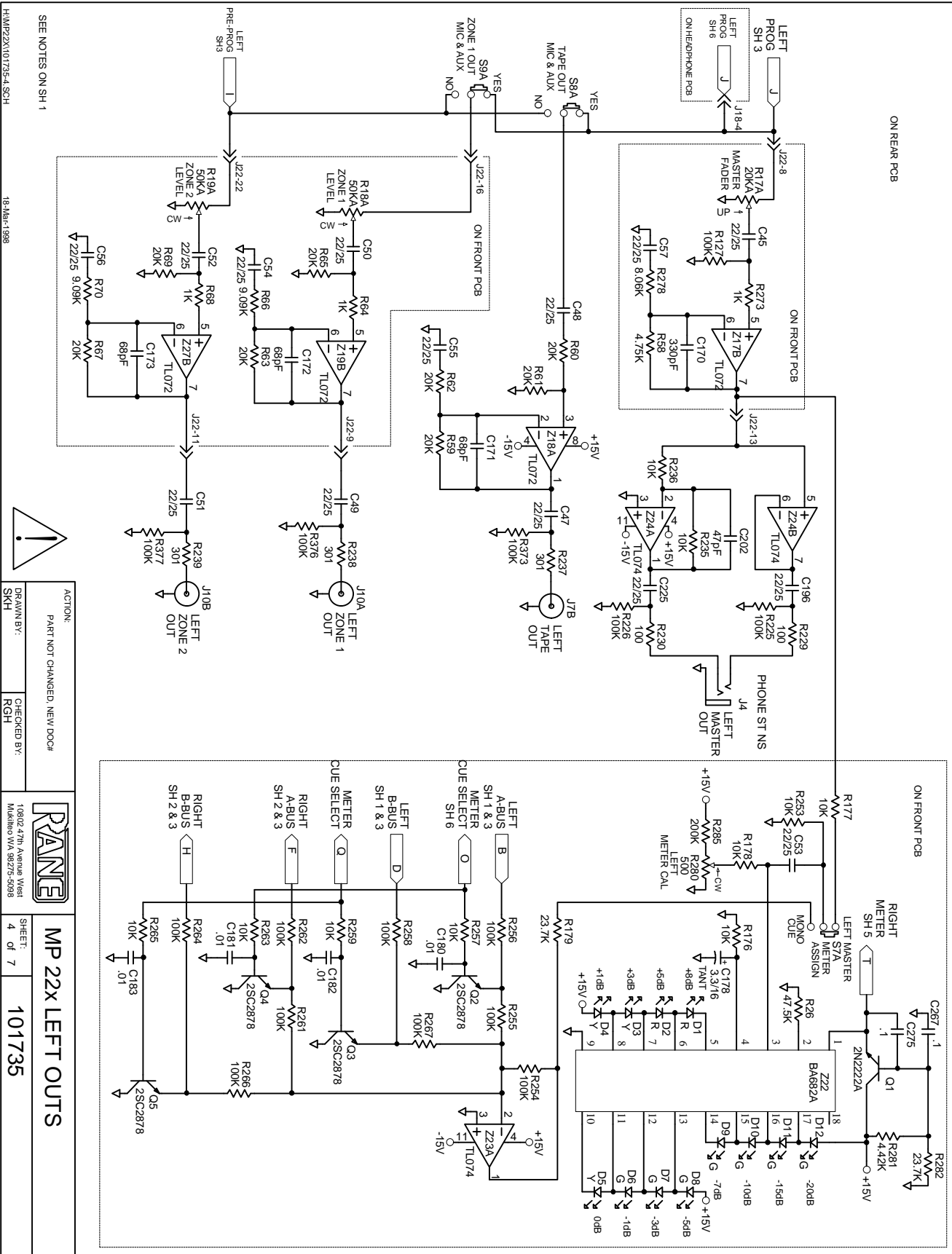
SHEET: 2 of 7

SCHEM MP22X RT INS & EQ

101735

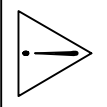


ACTION: PART NOT CHANGED NEW DOC#
 DRAWN BY: SKH
 CHECKED BY: RGH
 10802 47th Avenue West
 Manning, VA 22420-3899
PANE
 SHEET: 3 of 7
MP 22x LT & RT AUX INS
 101735
 SEE NOTES ON SH 2
 HMP22X101735-3.SCH
 18-Mar-1988



SEE NOTES ON SH 1

18-Mar-1988



ACTION:
PART NOT CHANGED, NEW DOC#

DRAWN BY: SKH

CHECKED BY: RGH

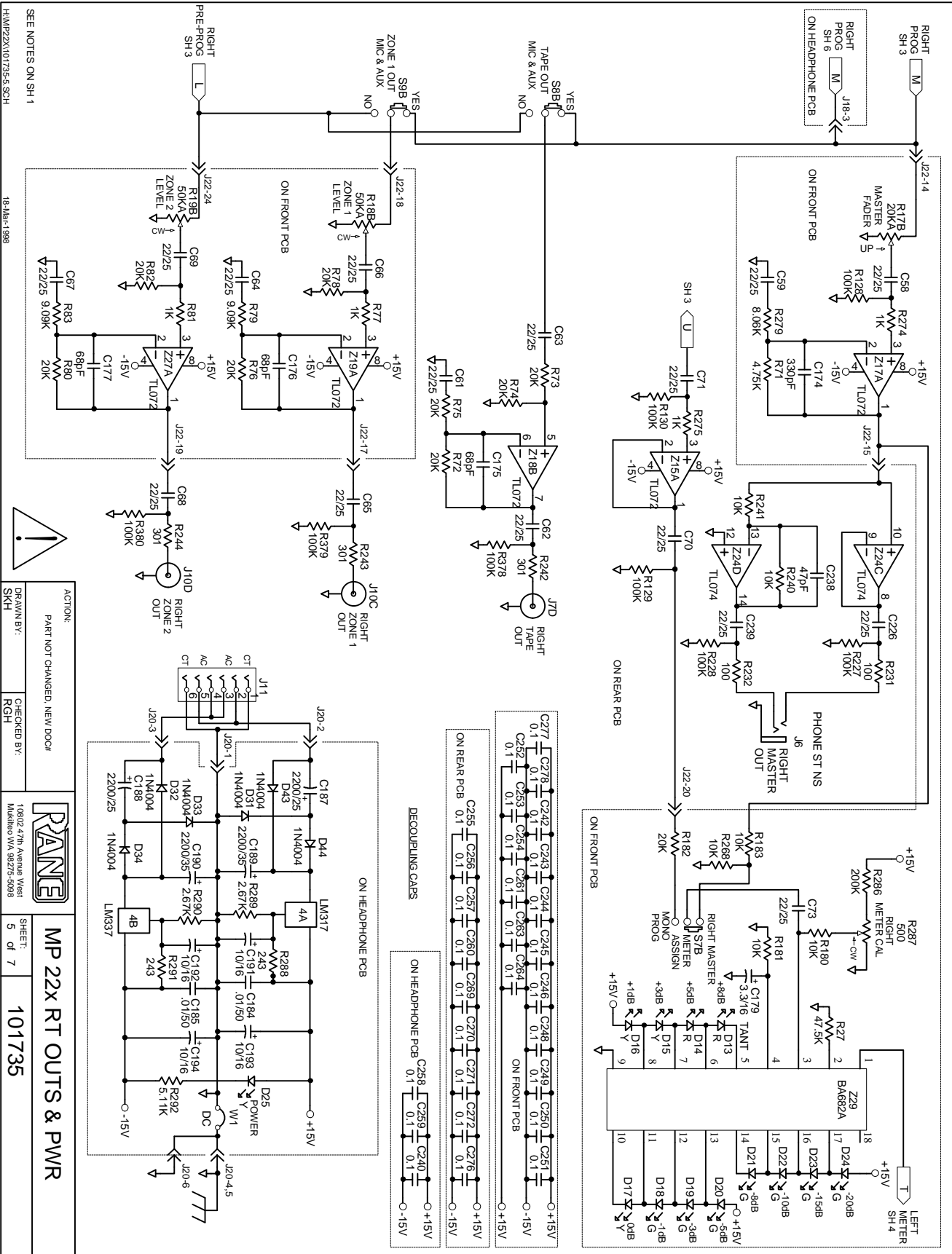
10802 47th Avenue West
Minnetonka, MN 55343-3699

PANE

MP 22x LEFT OUTS

SHEET: 4 of 7

101735



SEE NOTES ON SH 1
HMP22X101735-5-SCH

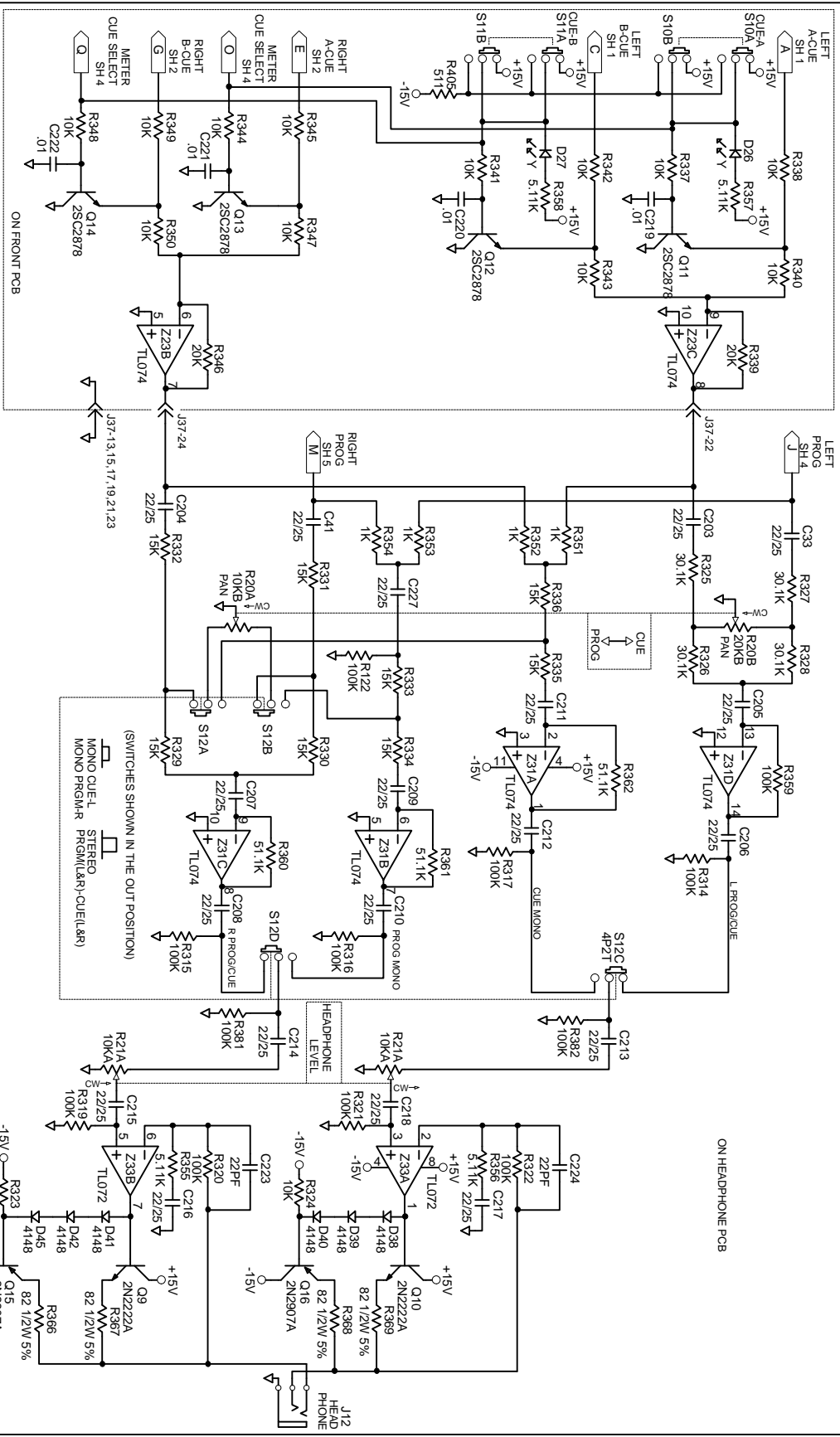
18-Mar-1988



ACTION:
PART NOT CHANGED, NEW DOC#
DRAWN BY: SKH
CHECKED BY: RGH

10802 47th Avenue West
Maplewood, VA 30173-5839

PANE
MP 22x RT OUTS & PWR
SHEET: 5 of 7
101735



LEFT A-CUE SH 1
RIGHT A-CUE SH 2
LEFT B-CUE SH 1
RIGHT B-CUE SH 2
METER CUE SELECT SH 4
METER CUE SELECT SH 4

ON FRONT PCB

LEFT PROG SH 4
RIGHT PROG SH 5
CUE
PROG
MONO CUE-L STEREO PROG/L/R/CUE/L/R
(SWITCHES SHOWN IN THE OUT POSITION)

ON HEADPHONE PCB

HEADPHONE LEVEL

J112 HEADPHONE

SEE NOTES ON SH 1

HMP22X101735-6-SCH

18-Mar-1988

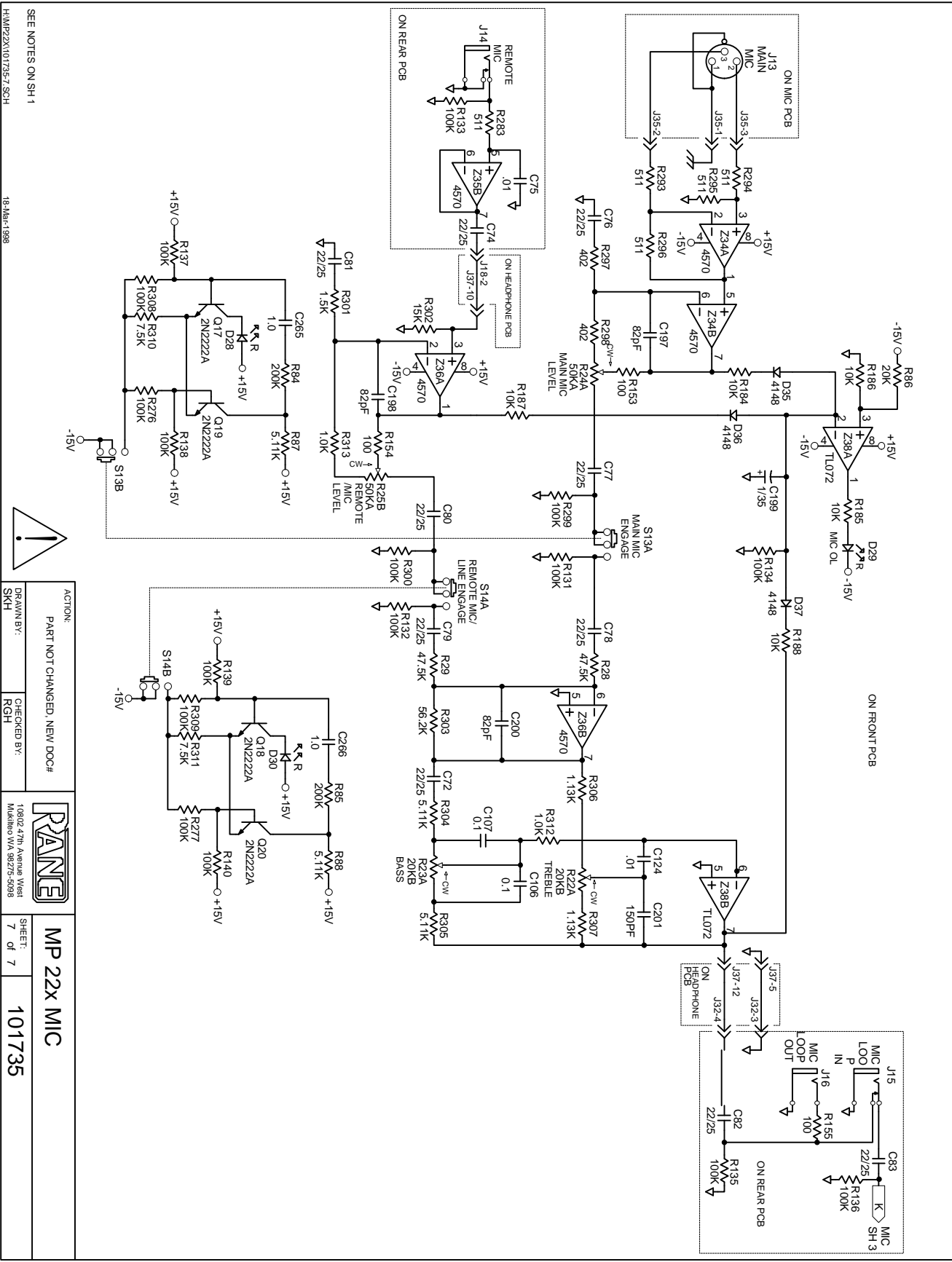
ACTION:
PART NOT CHANGED, NEW DOCP

DRAWN BY: SKH
CHECKED BY: RGH

10802 47th Avenue West
Minnetonka, MN 55343-3699

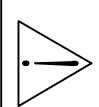
MP 22X HEADPHONE

SHEET: 6 of 7
101735



SEE NOTES ON SH 1
HMP22X101735.7.SCH

18-Mar-1988



ACTION:
PART NOT CHANGED, NEW DOC#

DRAWN BY: SKH
CHECKED BY: RGH



10802 47th Avenue West
Murphy, VA 25679-3698

MP 22x MIC

SHEET:
7 of 7

101735