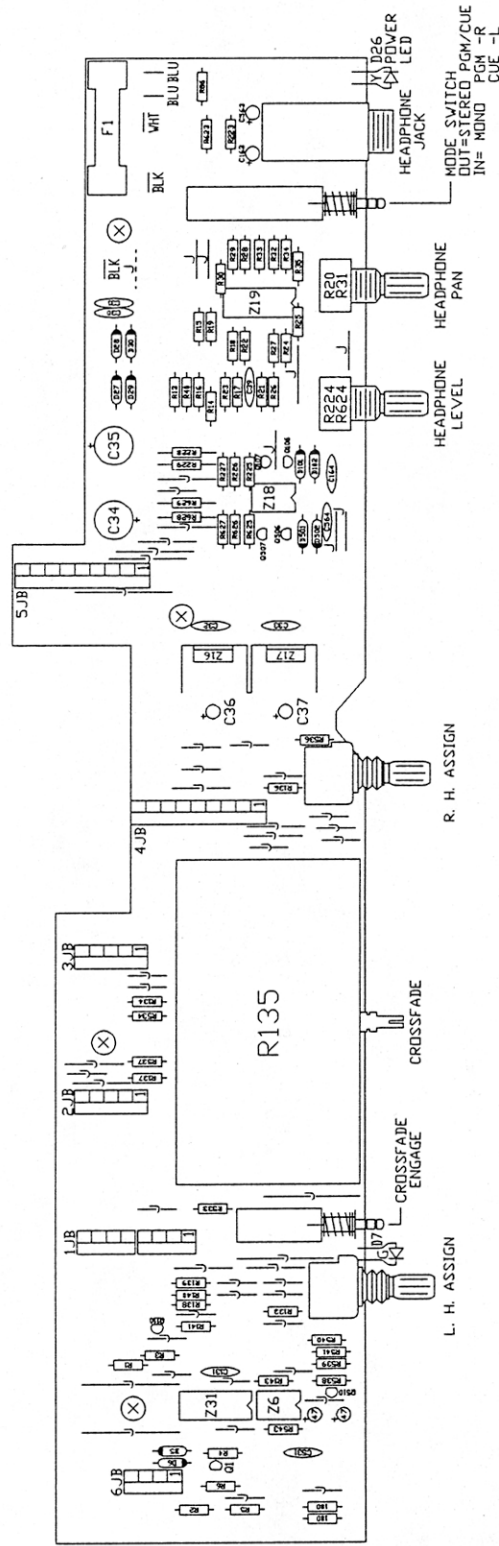


TITLE MP 24 MAIN ASSY

REV. D
 DRW. NO. 522-024

Corp. 10802 47th Avenue Vest, Everett
 VA 98204-3400 (206) 355-6000

REVISIONS	REV. E	ACTION UPDATED TO REFLECT CHANGES IN SCHEMATIC	DATE 16MAR88	APPROVED AVC
DRAWN S. TURNIDGE	DATE 12MAY87	CHECKED A. CLAYTON	DATE 14MAY87	SHEET 1 OF 1
DO NOT SCALE DRAWING				



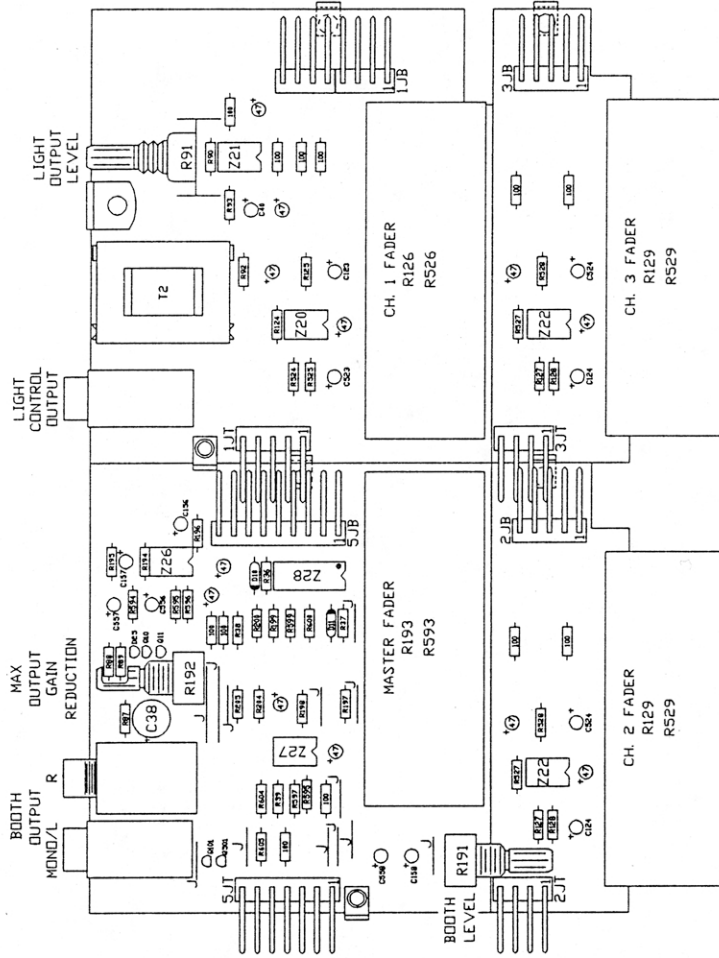
TITLE MP 24 BOTTOM BD.
ASSY

DRW. NO. 522-026
REV. D



Corp. 10802 47th Avenue Vest, Everett
VA 98204-3400 (206) 353-6000

REVISIONS	REV. D	ACTION REMOVED GND TAB	DATE 31JUL90	APPROVED RGH
DRAWN S. TURNIDGE	DATE 21MAY87	CHECKED A. CLAXTON	DATE 21MAY87	SHEET 1 OF 1
DO NOT SCALE DRAWING				



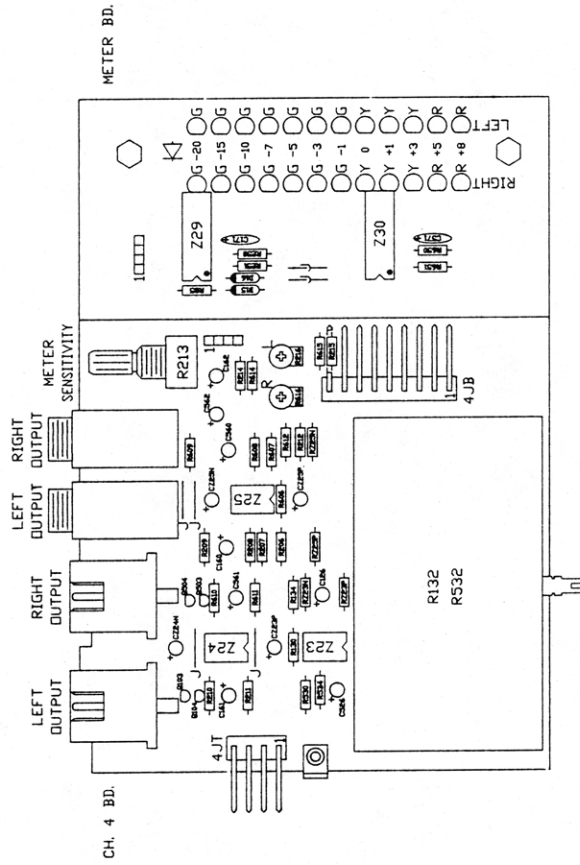
TITLE MP 24 CH 1, CH 2-3, & MASTER ASSY

DRW. NO. 522-025 REV. D



Corp. 10802 47th Avenue West, Everett
VA 98204-3400 (206) 355-6000

REVISIONS	REV. D	ACTION REMOVED DC IN JACK	DATE 25 JUL 90	APPROVED RGH
DRAWN S. TURNIDGE	DATE 07 MAY 87	CHECKED A. CLAXTON	DATE 05 MAY 87	SHEET 1 OF 1
DO NOT SCALE DRAWING				



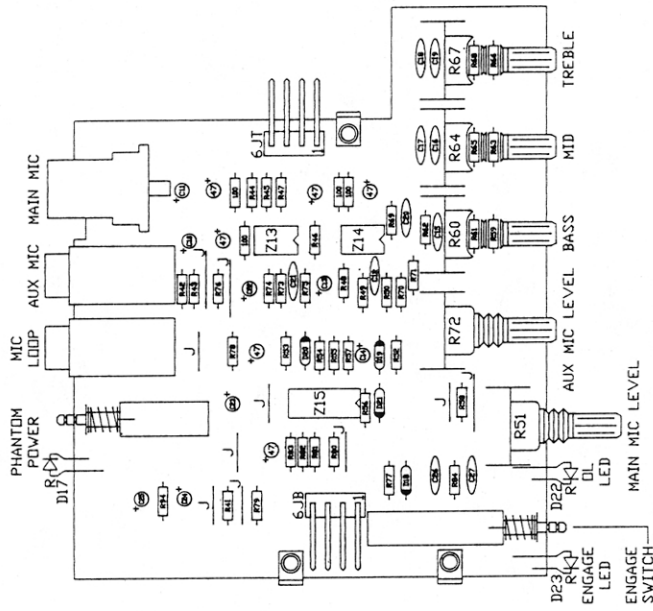
TITLE MP 24 CH. 4 & METER
ASSY

REV. D
522-023
DRV. NO.



Corp. 10802 47th Avenue Vest, Everett
WA 98204-3400 (206) 355-6000

REVISIONS	REV. D	ACTION ADDED DESIGNATORS TO DECOUPLING COMPONENTS	DATE 5 JAN 89	APPROVED SRH
DRAWN S. TURNTIDGE	DATE 01 MAY 87	CHECKED A. CLAXTON	DATE 04 MAY 87	SHEET 1 OF 1
DO NOT SCALE DRAWING				



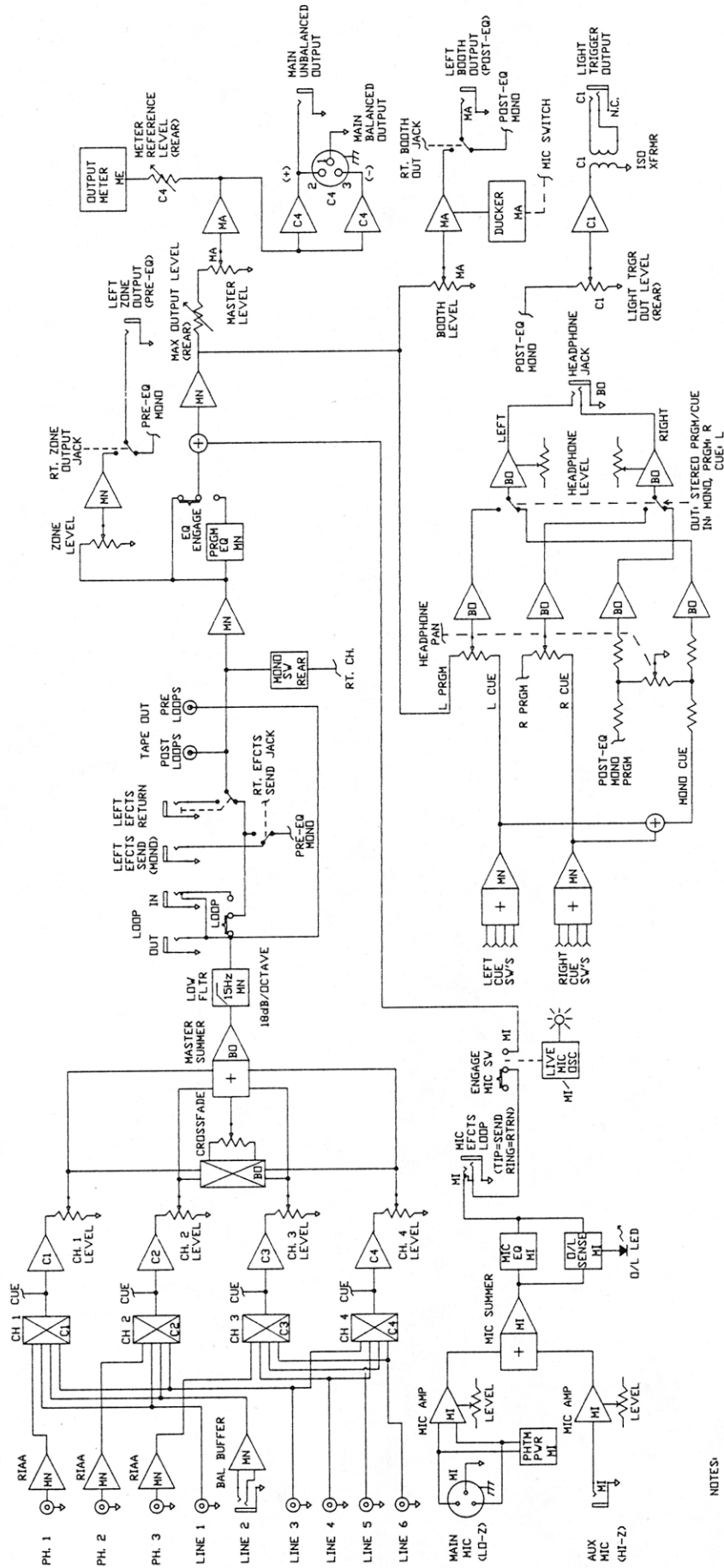
CORP. 6510 216th S.W. MOUNTLAKE TERRACE,
VA 98043 (206) 774-7309

TITLE MP 24 MIC ASSY

REV. B
522-022
DRW. NO.

REVISIONS	REV. B	ACTION REDRAWN FOR CAB, ADDED R94	DATE	APPROVED
DRAWN S. TURNIDGE	DATE 04MAY87	CHECKED A. CLAXTON	DATE 05MAY87	SHEET 1 OF 1

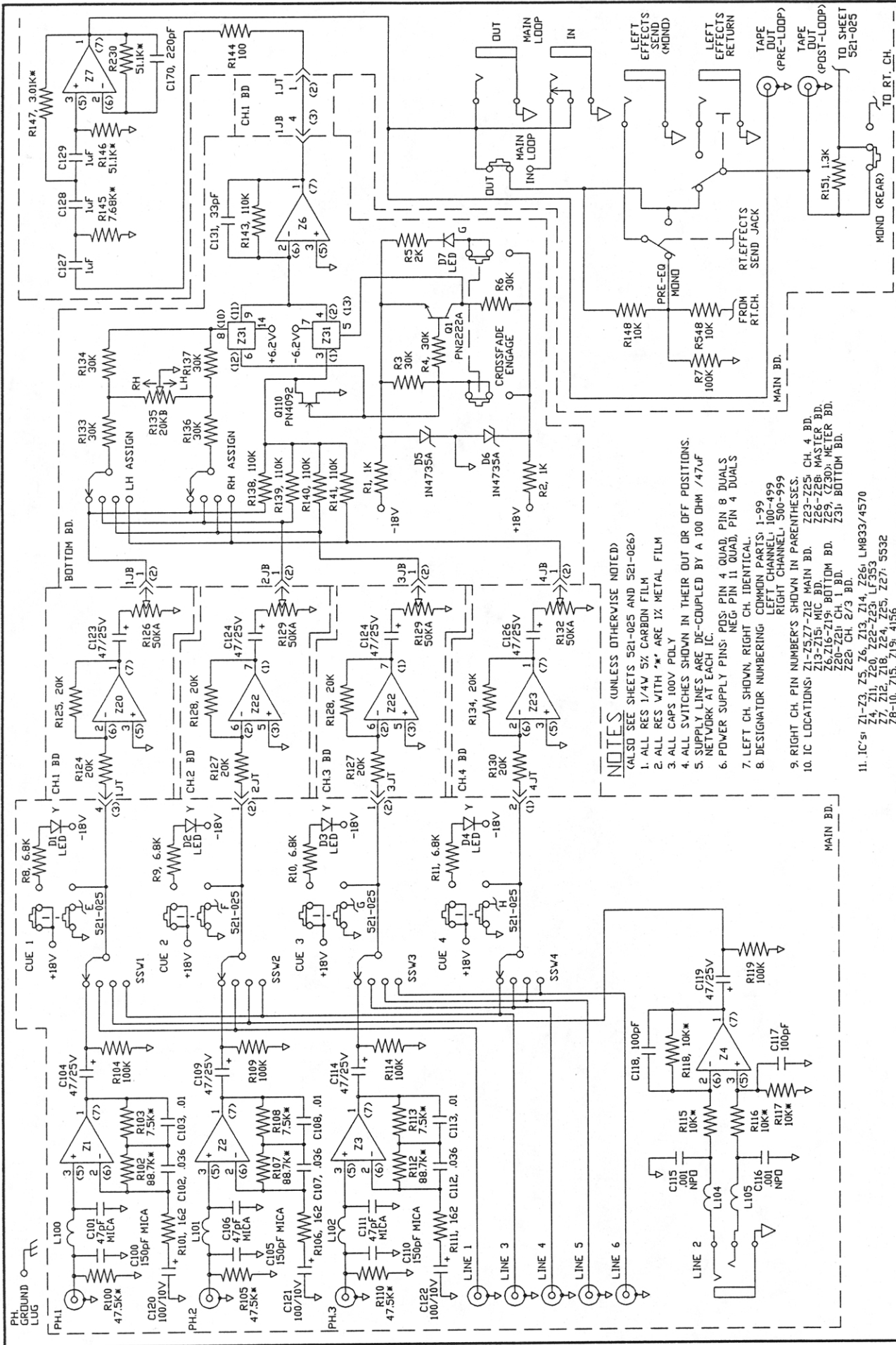
DO NOT SCALE DRAWING



NOTES:

- CIRCUIT ELEMENT LOCATION CODES
- MN = MAIN (TOP) PCB
- BO = BOTTOM PCB
- MI = MICROPHONE PCB
- C1 = CHANNEL ONE PCB
- C2 = CHANNEL TWO PCB
- C3 = CHANNEL THREE PCB
- C4 = CHANNEL FOUR PCB
- MA = MASTER PCB
- ME = METER PCB

ALL INPUT AND OUTPUT JACKS ARE ON THE MAIN (UPPER) PCB UNLESS OTHERWISE NOTED



- NOTES (UNLESS OTHERWISE NOTED)**
1. ALL RES 1/4W 5% CARBON FILM
 2. ALL CAPS WITH "*" ARE 1% METAL FILM
 3. ALL CAPS 100V POLY
 4. ALL SWITCHES SHOWN IN THEIR OUT OR OFF POSITIONS.
 5. SUPPLY LINES ARE DE-COUPLED BY A 100 OHM / 47uF NETWORK AT EACH IC.
 6. POWER SUPPLY PINS: POS: PIN 4 QUAD, PIN 8 DUALS
NEG: PIN 11 QUAD, PIN 4 DUALS
 7. LEFT CH. SHOWN, RIGHT CH. IDENTICAL.
 8. DESIGNATOR NUMBERING: COMMON PARTS: 1-99
LEFT CHANNEL: 500-999
RIGHT CHANNEL: 100-499
 9. RIGHT CH. PIN NUMBER'S SHOWN IN PARENTHESES.
 10. IC LOCATIONS: Z1-75 Z7-Z12 MAIN BD. Z23-Z25 CH. 4. BD.
Z13-Z15 MIC BD. Z26-Z28 MASTER BD.
Z6-Z16-Z19 BOTTOM BD. Z29, (Z30): METER BD.
Z20-Z21 CH. 1. BD. Z22 CH. 2/3 BD.
 11. IC'S: Z1-Z3, Z5, Z6, Z13, Z14, Z26: LM833/4570
Z4, Z11, Z20, Z22-Z23, LF353
Z7, Z12, Z18, Z24, Z25, Z27: 5532
Z8-10, Z15, Z19: 4156
Z28, Z31: 4016
Z16: 7818
Z17: 7819
Z18: 7819
Z59, (Z30): BA682A

RANE

Corp. 10802 47th Avenue West, Everett
WA 98204-3400 (206) 355-6000

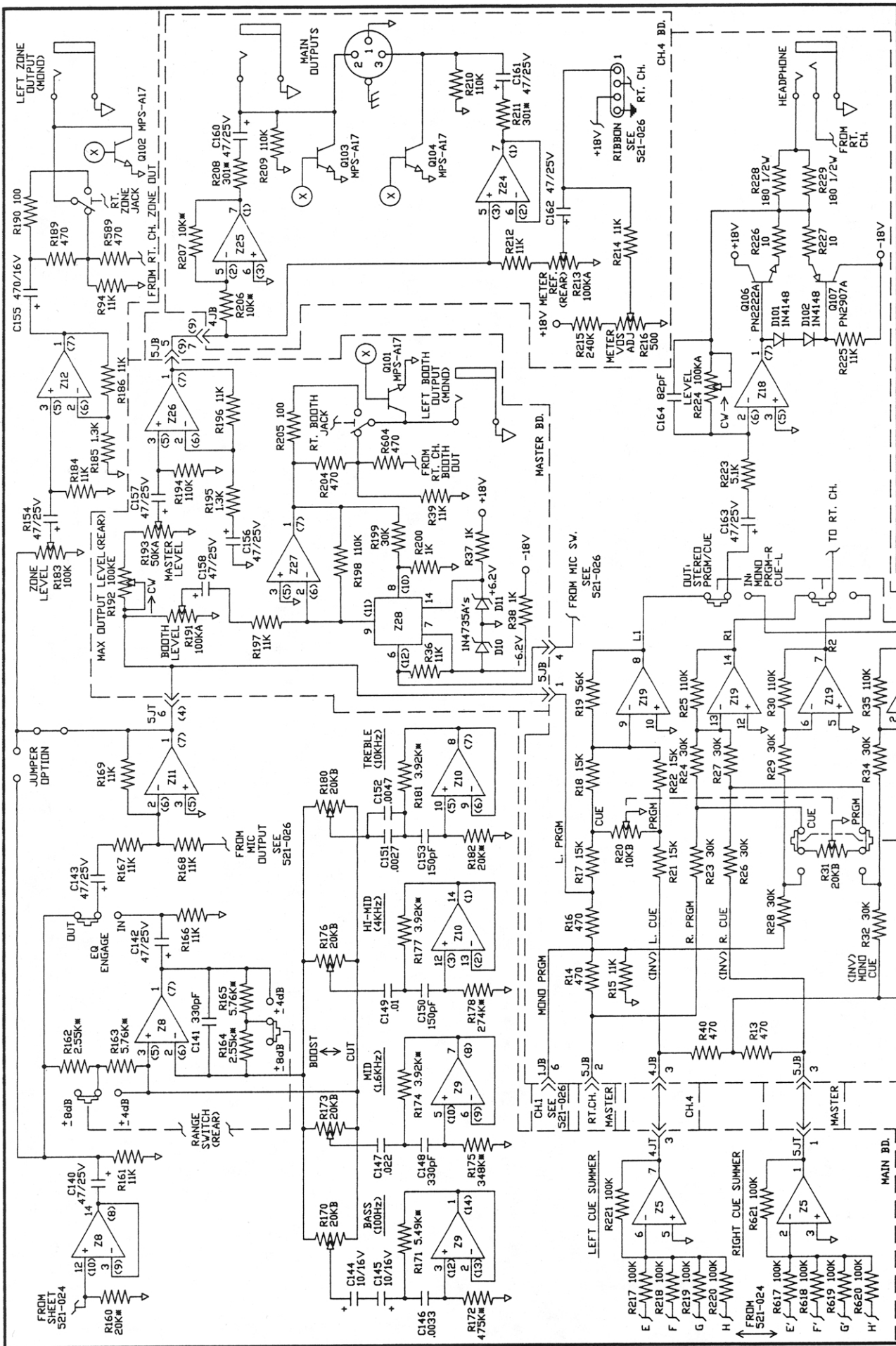
DATE 25 JUL 90 APPROVED RGH

DRAWN STB REV. F ACTION R148 WAS 470, R7 WAS 11K, R548 WAS 470 SHEET 1 OF 3 DO NOT SCALE DRAWING

DATE 9 JUN 86 CHECKED DB DATE 5 JUN 86

TITLE MP24 SCHEMATIC (521-024, 521-025, 521-026) REV. F

DRV. NO. 521-024



RANE

TITLE: **MP24 SCHEMATIC**
(521-024, 521-025, 521-026)

DRW. NO. **521-025**

REV. **E**

Corp. 10802 47th Avenue West, Everett
WA 98204-3400 (206) 355-6000

DATE 16MAR88 APPROVED AVC

DATE 23JUN86 SHEET 2 OF 3 DO NOT SCALE DRAWING

NOTES
(SEE SHEET 521-024)

