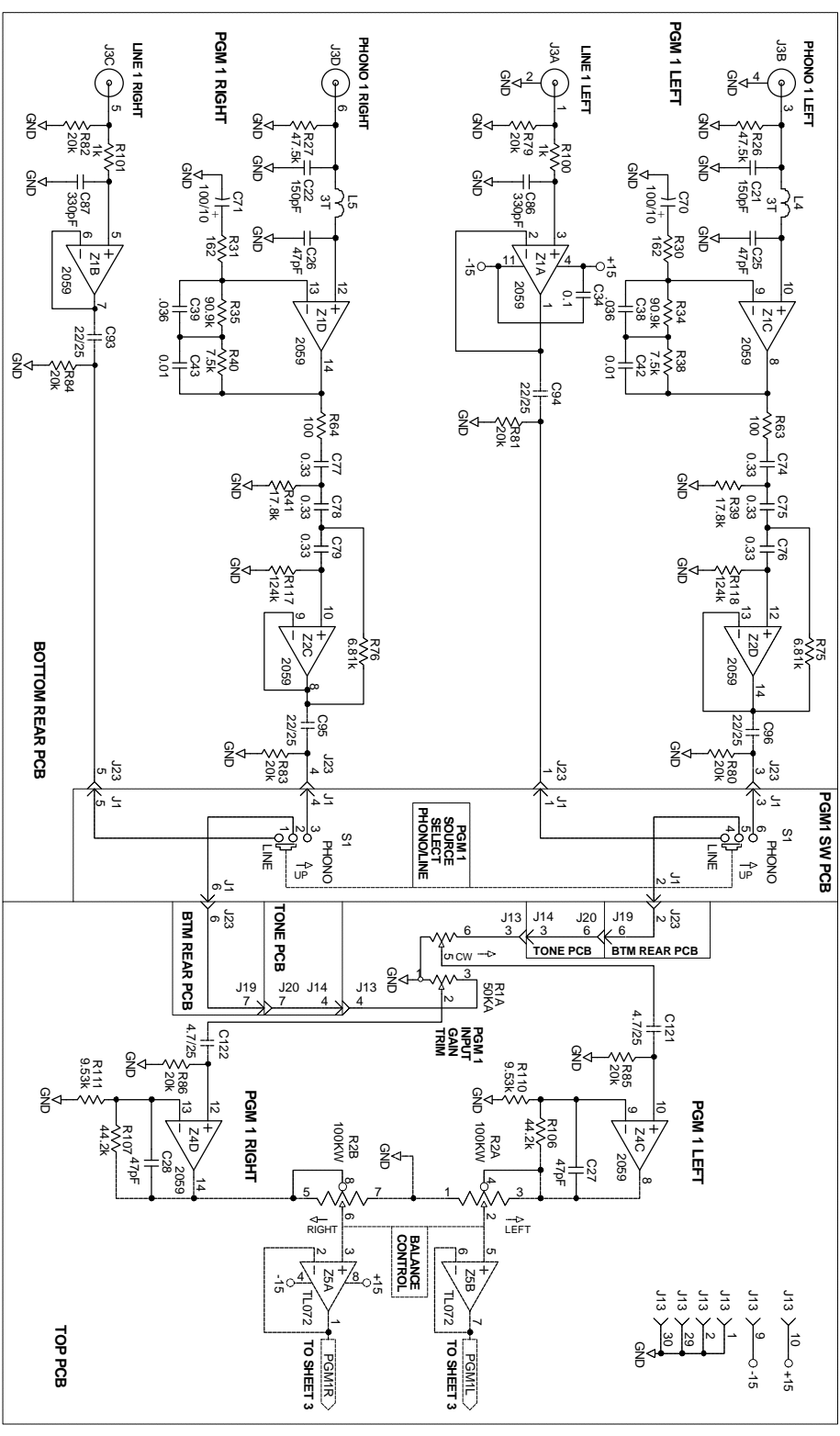


Rane Corp. (425)355-6000
 103774 DES TOP/BTM/SD/SW/TN/MTR TTM 54i
 ACTION: NEW PRODUCT RWJ 12JAN00





U.S. PATENT PENDING

NOTES: (UNLESS OTHERWISE SPECIFIED)
 1. ALL RESISTORS METAL FILM 1/4W 1%.
 2. ALL SWITCHES SHOWN IN THEIR "OUT" OR "OFF" POSITIONS.

- PGM 2 INPUT 103778-2 SCH
- CH. FADERS / X-FADER 103778-6 SCH
- PGM 1 TONE 103778-3 SCH
- MIC/HEADPHONE 103778-7 SCH
- PGM 2 TONE 103778-4 SCH
- MASTERS/SUPPLY 103778-8 SCH
- EFFECTS LOOP 103778-5 SCH
- METER 103778-9 SCH



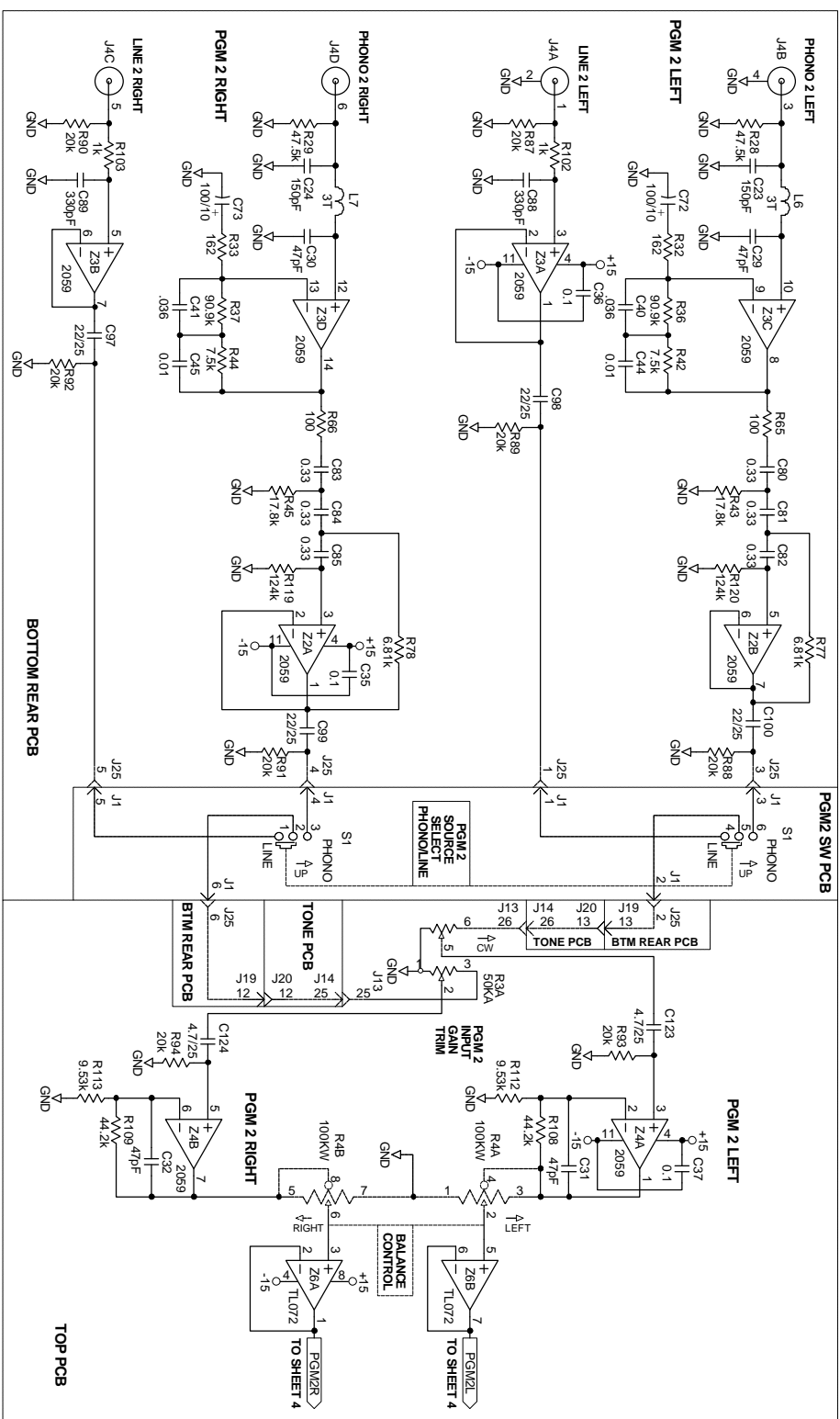
ACTION:	
DRAWN BY:	RJ
CHECKED BY:	RJ



SHEET:	1 of 9
PGM 1 INPUT TTM 541	103778

H:\TTM541\103778-1 SCH

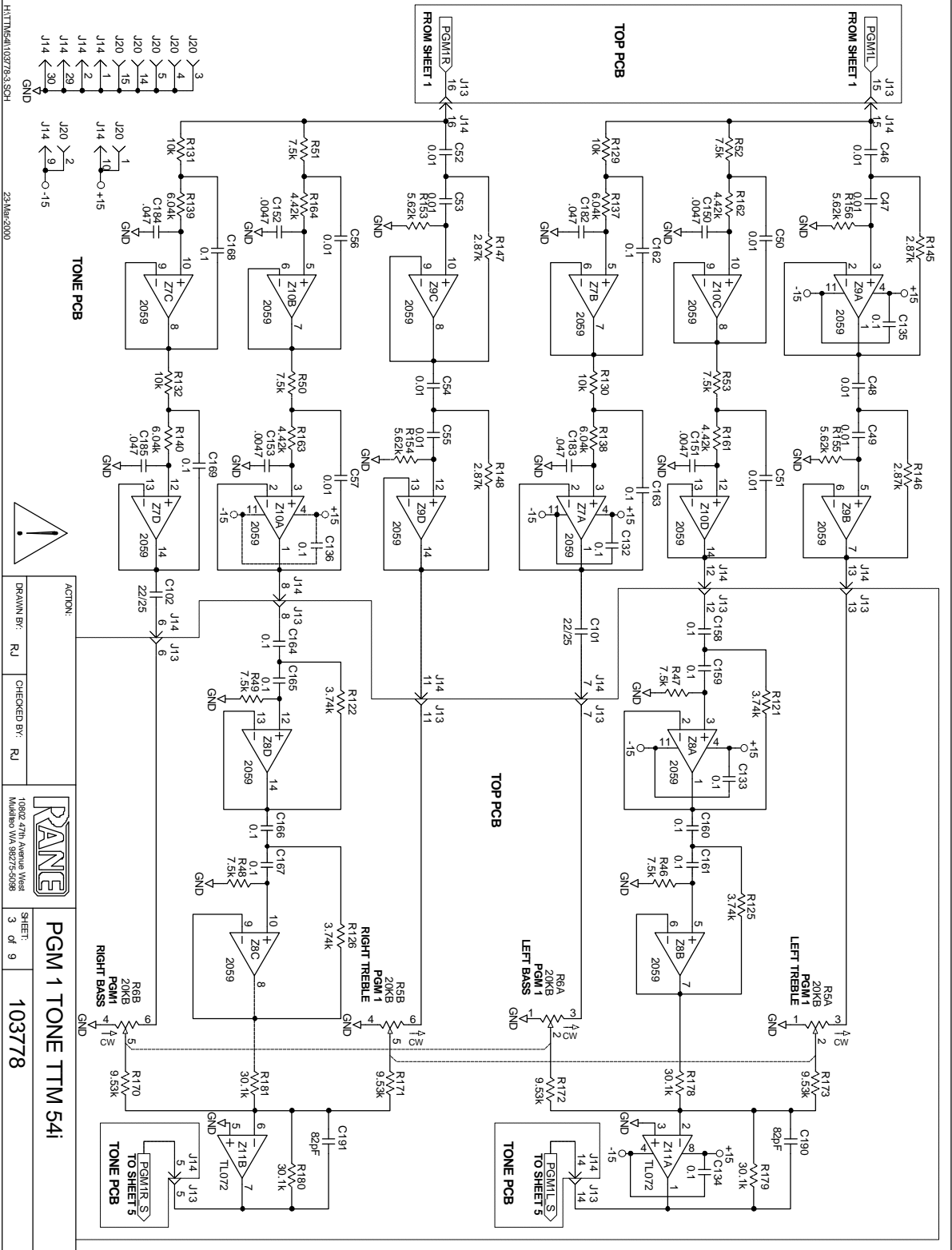
23 Mar 2000



ACTION:		
DRAWN BY:	RJ	
CHECKED BY:	RJ	
PANTE		
10802 47th Avenue West Mableton VA 98275-5098		
SHEET:	2 of 9	PGM 2 INPUT TTM 54I
		103778

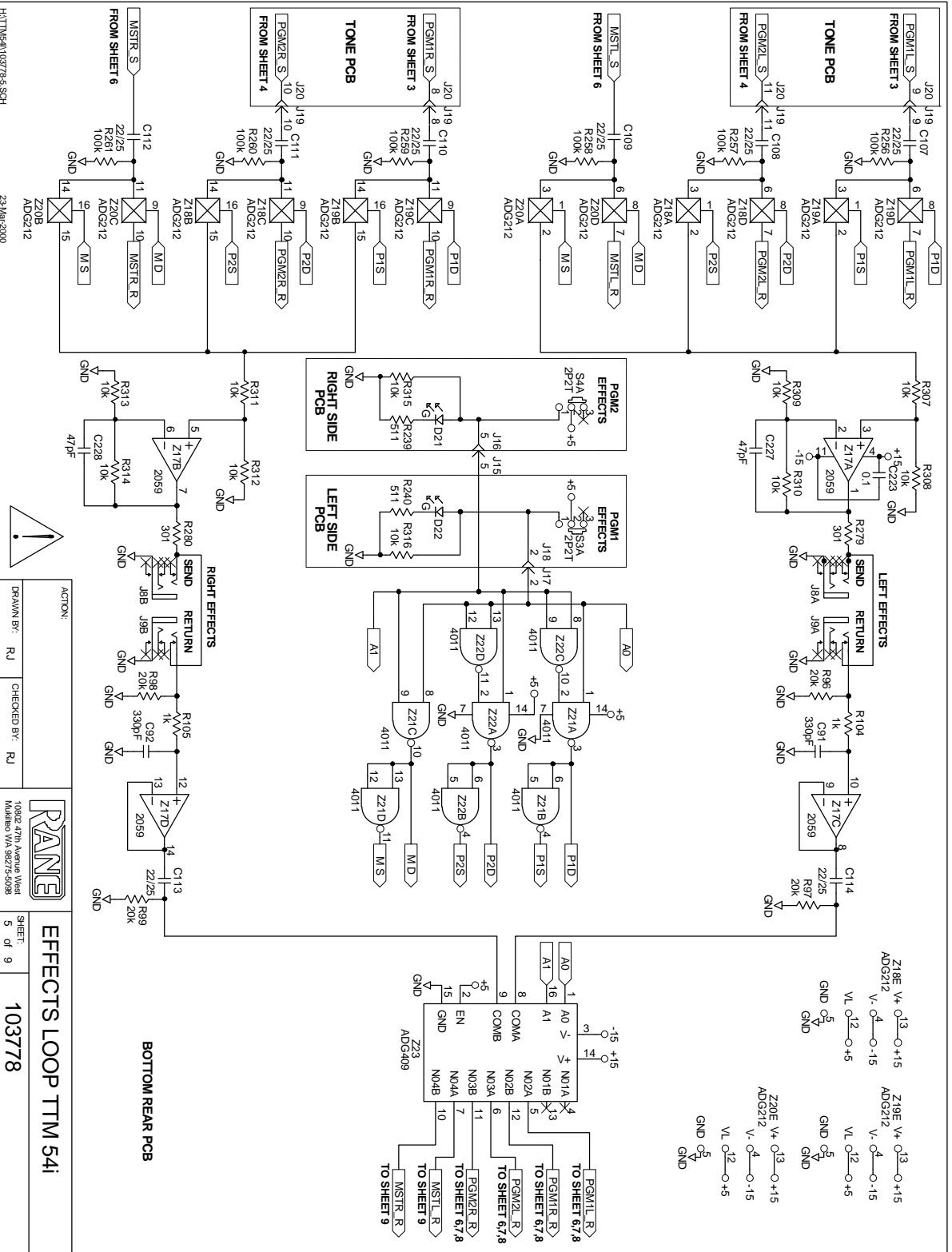
H:\TTM54I\103778-2.SCH

23-Mar-2000



H:\TTM541\103778.3.SCH 23/Mar/2000

ACTION:		
DRAWN BY:	RJ	
CHECKED BY:	RJ	
10802 47th Avenue West Mukilteo WA 98275-5098		
SHEET:	3 of 9	
PGM 1 TONE TTM 541		103778



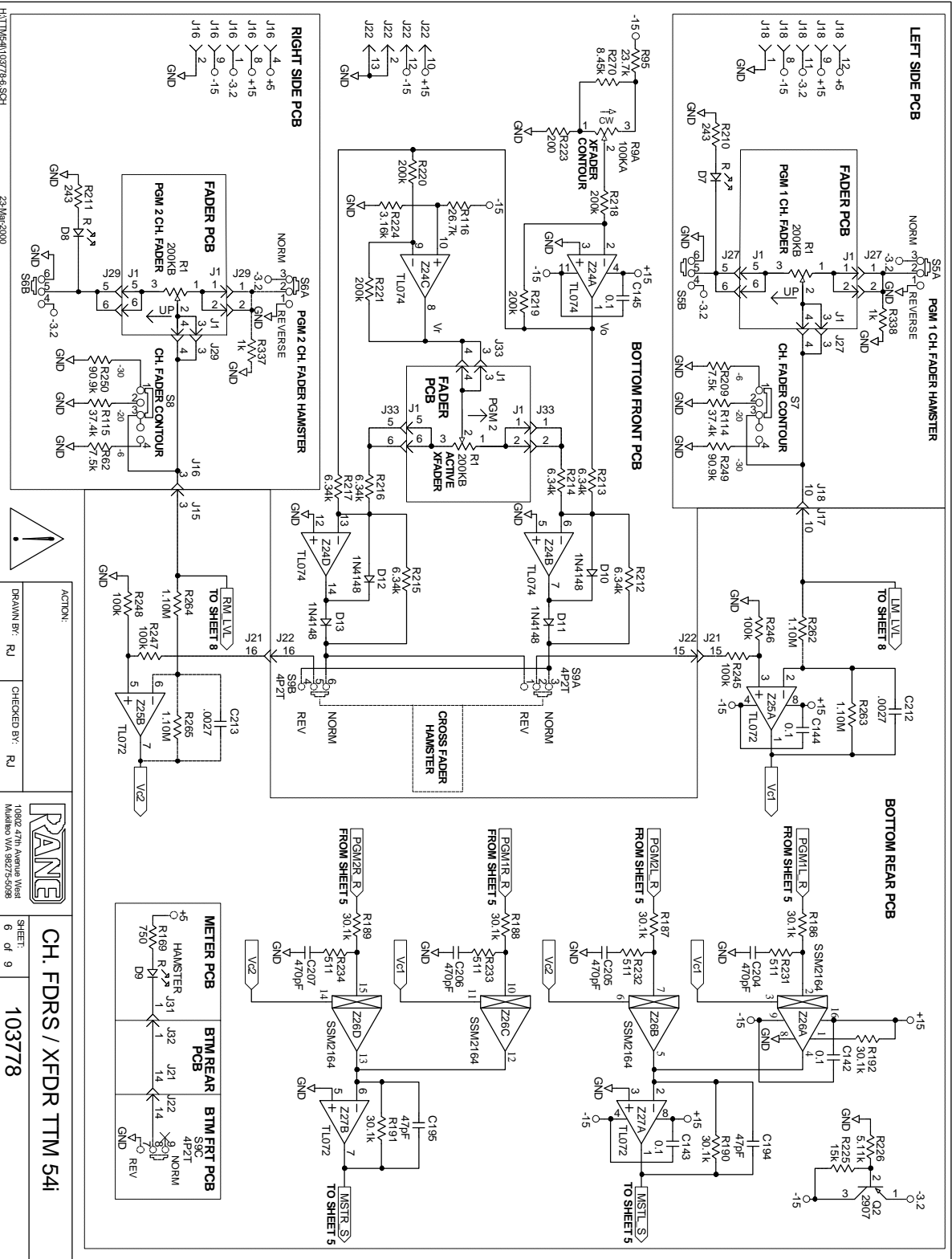
H:\TTM54I\103778.S.SCH

23-Mar-2000



ACTION:	
DRAWN BY: RJ	CHECKED BY: RJ
10802 47th Avenue West Mukilteo WA 98275-5098	

SHEET: 5 of 9
EFFECTS LOOP TTM 54I
 103778



ACTION:
DRAWN BY: RJ
CHECKED BY: RJ



10302 47th Avenue West
Maple Valley WA 98275-5098

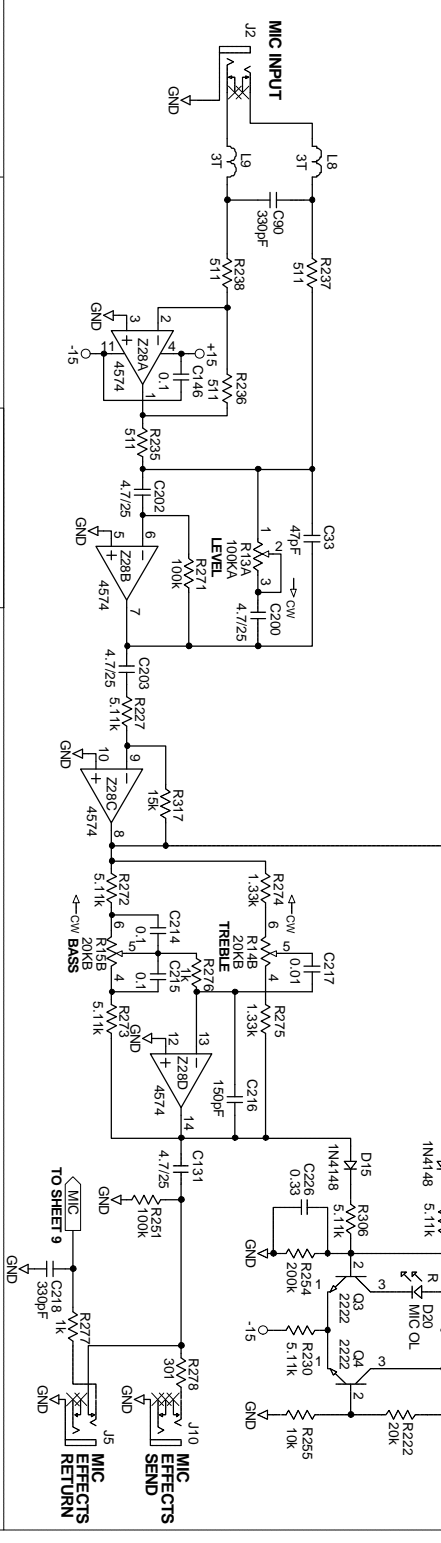
CH. FDRS / XFDR TTM 54I

SHEET: 6 of 9
103778

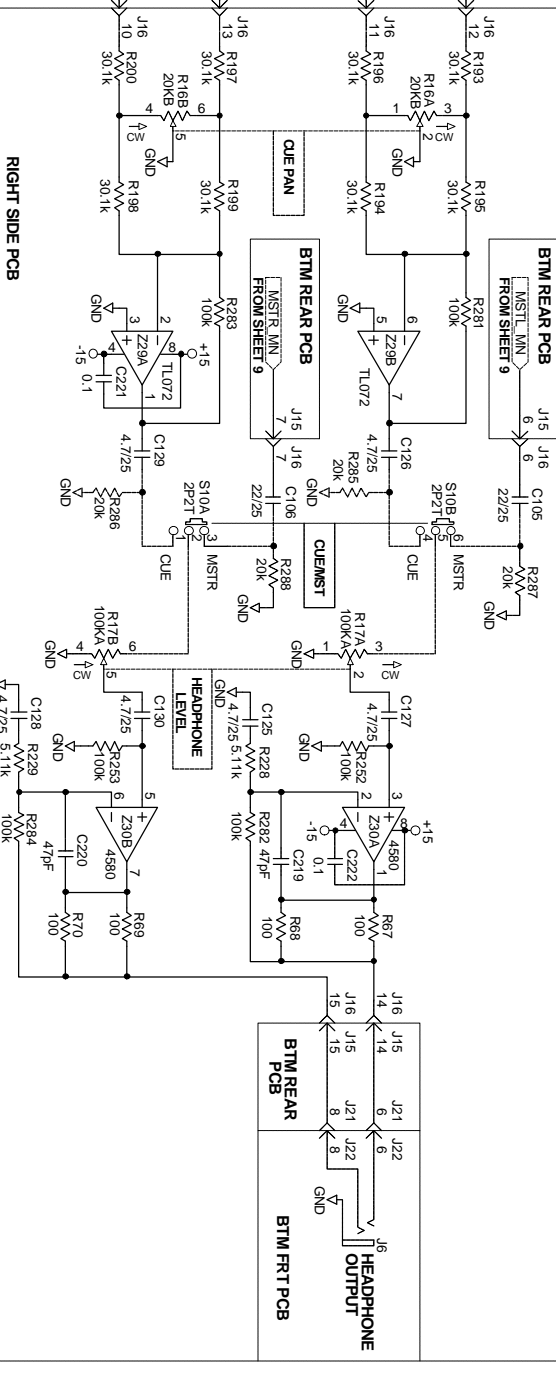
H:\TTM54I\103778\6 SCH

23 Mar 2000

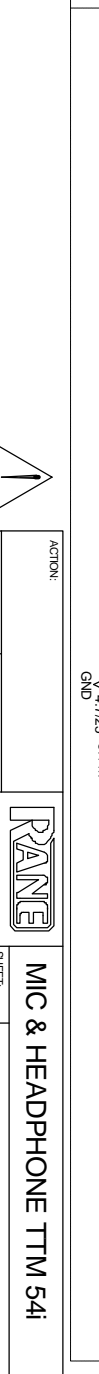
LEFT SIDE PCB



BTM REAR PCB



BTM REAR PCB



H:\TTM64\103778-7.SCH

23-Mar-2000

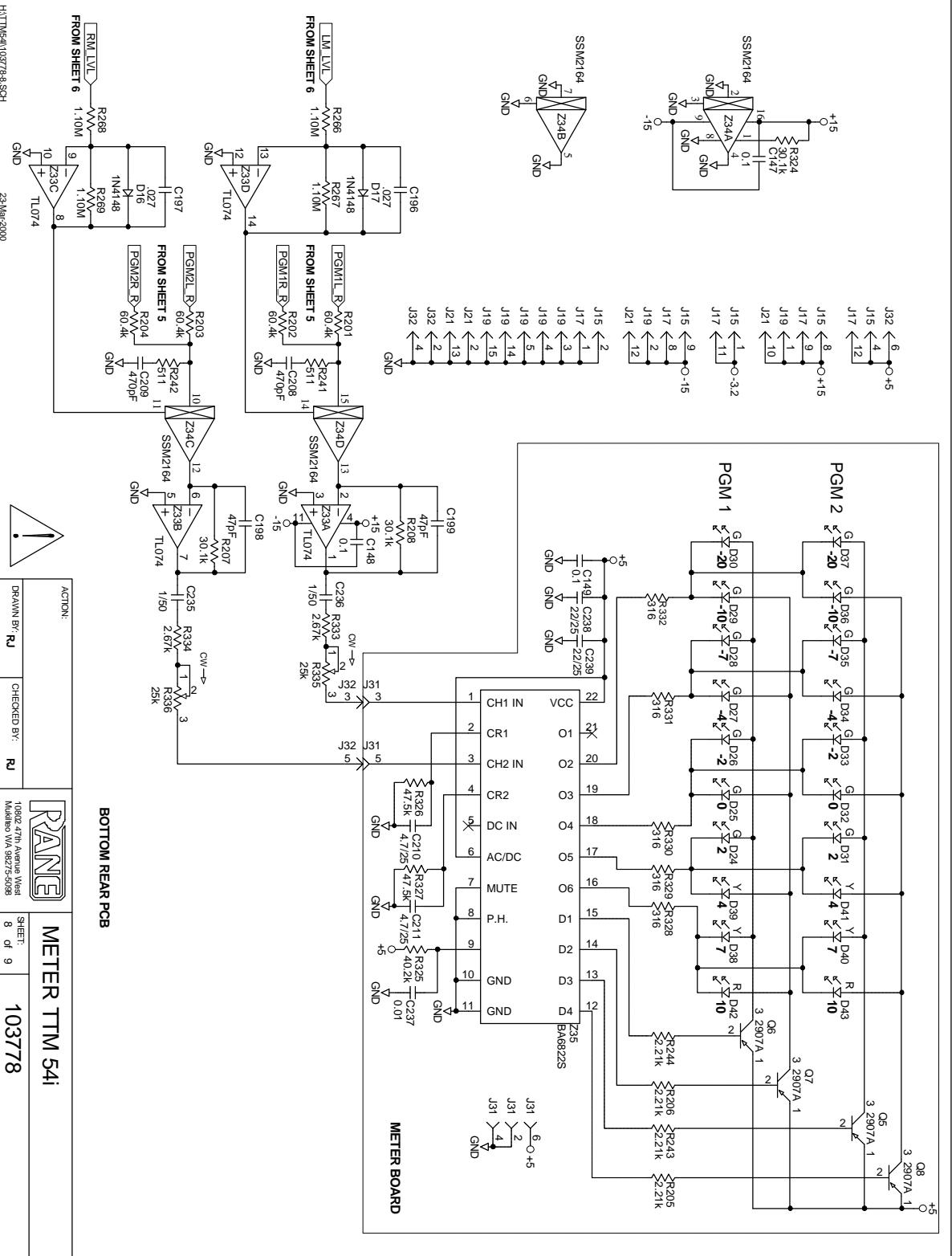


ACTION:
DRAWN BY: RJ
CHECKED BY: RJ



10802 47th Avenue West
Mableton VA 98275-5098

SHEET: 7 of 9
MIC & HEADPHONE TTM 54I
103778



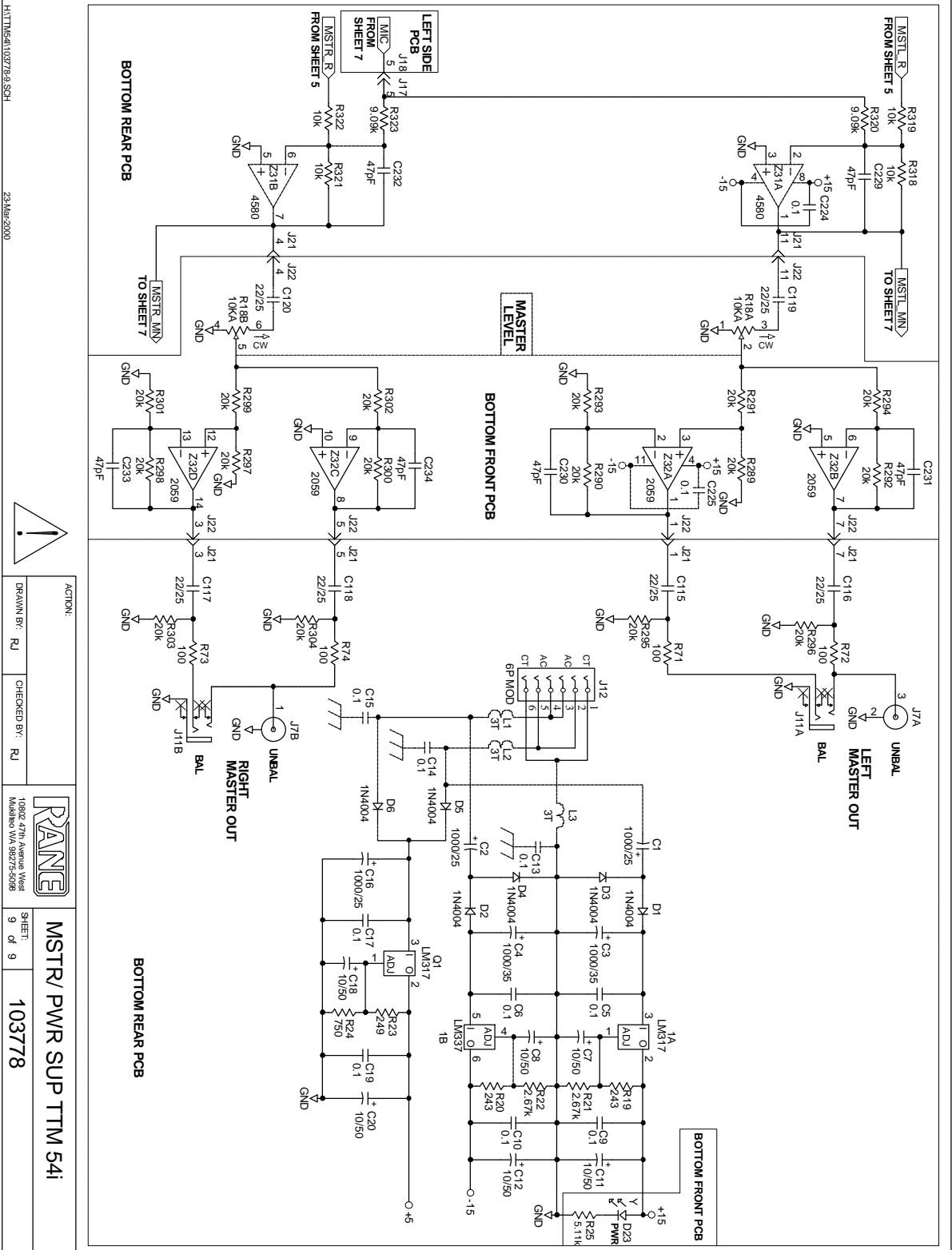
H:\TTM54\103778.SCH
23-Mar-2000

ACTION:
DRAWN BY: **RJ**
CHECKED BY: **RJ**

PANÉ
10802 47th Avenue West
Maple Ridge VA, 98275-5098

METER TTM 54I
SHEET: 8 of 9
103778

BOTTOM REAR PCB



H:\TTM54\103778\9.SCH

23-Mar-2000



ACTION:
 DRAWN BY: RJ
 CHECKED BY: RJ

PANÉ
 10802 47th Avenue West
 Maple Ridge, BC V2X 2Y7

SHEET: 9 of 9
MSTR/ PWR SUP TTM 54
103778