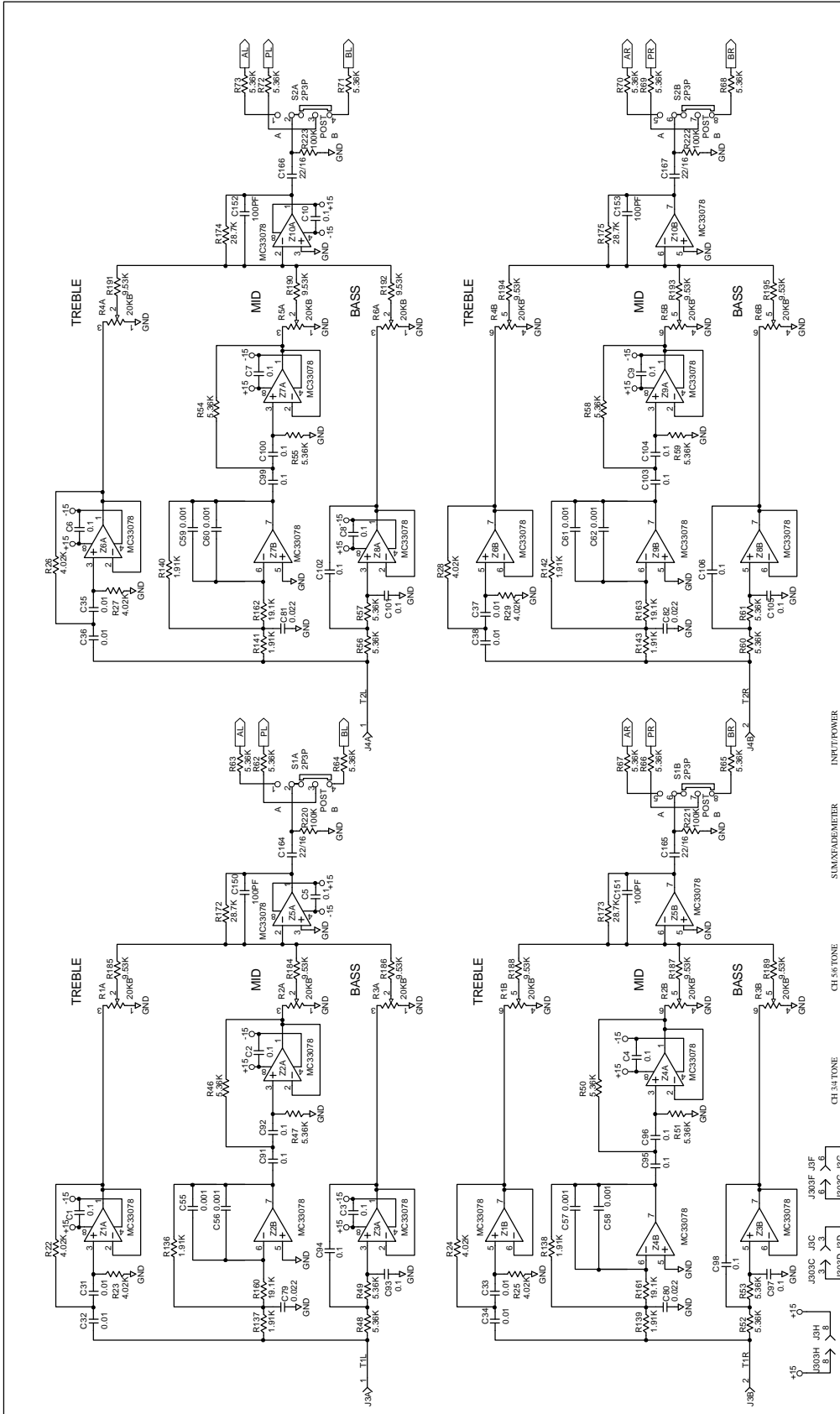
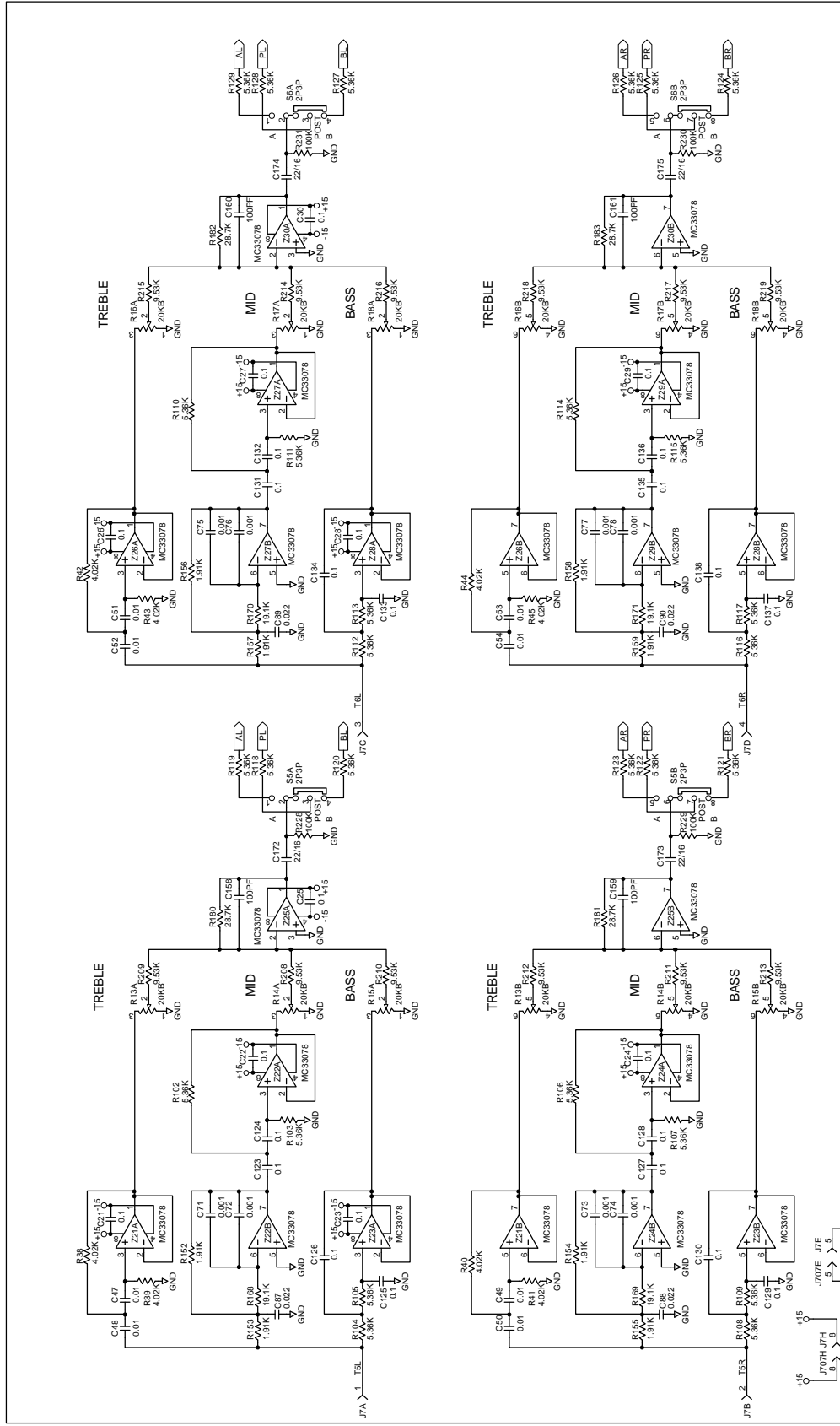


F1



- J303H J3H
- J303J J3J
- J303E J3E
- 150 -5
- J303C J3C
- J303F J3F
- J303G J3G
- J303D J3D
- J303A J3A
- J303B J3B
- J303I J3I
- J303L J3L
- J303M J3M
- J303N J3N
- J303O J3O
- J303P J3P
- J303Q J3Q
- J303R J3R
- J303S J3S
- J303T J3T
- J303U J3U
- J303V J3V
- J303W J3W
- J303X J3X
- J303Y J3Y
- J303Z J3Z
- J303AA J3AA
- J303AB J3AB
- J303AC J3AC
- J303AD J3AD
- J303AE J3AE
- J303AF J3AF
- J303AG J3AG
- J303AH J3AH
- J303AI J3AI
- J303AJ J3AJ
- J303AK J3AK
- J303AL J3AL
- J303AM J3AM
- J303AN J3AN
- J303AO J3AO
- J303AP J3AP
- J303AQ J3AQ
- J303AR J3AR
- J303AS J3AS
- J303AT J3AT
- J303AU J3AU
- J303AV J3AV
- J303AW J3AW
- J303AX J3AX
- J303AY J3AY
- J303AZ J3AZ
- J303BA J3BA
- J303BB J3BB
- J303BC J3BC
- J303BD J3BD
- J303BE J3BE
- J303BF J3BF
- J303BG J3BG
- J303BH J3BH
- J303BI J3BI
- J303BJ J3BJ
- J303BK J3BK
- J303BL J3BL
- J303BM J3BM
- J303BN J3BN
- J303BO J3BO
- J303BP J3BP
- J303BQ J3BQ
- J303BR J3BR
- J303BS J3BS
- J303BT J3BT
- J303BU J3BU
- J303BV J3BV
- J303BW J3BW
- J303BX J3BX
- J303BY J3BY
- J303BZ J3BZ
- J303CA J3CA
- J303CB J3CB
- J303CC J3CC
- J303CD J3CD
- J303CE J3CE
- J303CF J3CF
- J303CG J3CG
- J303CH J3CH
- J303CI J3CI
- J303CJ J3CJ
- J303CK J3CK
- J303CL J3CL
- J303CM J3CM
- J303CN J3CN
- J303CO J3CO
- J303CP J3CP
- J303CQ J3CQ
- J303CR J3CR
- J303CS J3CS
- J303CT J3CT
- J303CU J3CU
- J303CV J3CV
- J303CW J3CW
- J303CX J3CX
- J303CY J3CY
- J303CZ J3CZ
- J303DA J3DA
- J303DB J3DB
- J303DC J3DC
- J303DD J3DD
- J303DE J3DE
- J303DF J3DF
- J303DG J3DG
- J303DH J3DH
- J303DI J3DI
- J303DJ J3DJ
- J303DK J3DK
- J303DL J3DL
- J303DM J3DM
- J303DN J3DN
- J303DO J3DO
- J303DP J3DP
- J303DQ J3DQ
- J303DR J3DR
- J303DS J3DS
- J303DT J3DT
- J303DU J3DU
- J303DV J3DV
- J303DW J3DW
- J303DX J3DX
- J303DY J3DY
- J303DZ J3DZ
- J303EA J3EA
- J303EB J3EB
- J303EC J3EC
- J303ED J3ED
- J303EE J3EE
- J303EF J3EF
- J303EG J3EG
- J303EH J3EH
- J303EI J3EI
- J303EJ J3EJ
- J303EK J3EK
- J303EL J3EL
- J303EM J3EM
- J303EN J3EN
- J303EO J3EO
- J303EP J3EP
- J303EQ J3EQ
- J303ER J3ER
- J303ES J3ES
- J303ET J3ET
- J303EU J3EU
- J303EV J3EV
- J303EW J3EW
- J303EX J3EX
- J303EY J3EY
- J303EZ J3EZ
- J303FA J3FA
- J303FB J3FB
- J303FC J3FC
- J303FD J3FD
- J303FE J3FE
- J303FF J3FF
- J303FG J3FG
- J303FH J3FH
- J303FI J3FI
- J303FJ J3FJ
- J303FK J3FK
- J303FL J3FL
- J303FM J3FM
- J303FN J3FN
- J303FO J3FO
- J303FP J3FP
- J303FQ J3FQ
- J303FR J3FR
- J303FS J3FS
- J303FT J3FT
- J303FU J3FU
- J303FV J3FV
- J303FW J3FW
- J303FX J3FX
- J303FY J3FY
- J303FZ J3FZ
- J303GA J3GA
- J303GB J3GB
- J303GC J3GC
- J303GD J3GD
- J303GE J3GE
- J303GF J3GF
- J303GG J3GG
- J303GH J3GH
- J303GI J3GI
- J303GJ J3GJ
- J303GK J3GK
- J303GL J3GL
- J303GM J3GM
- J303GN J3GN
- J303GO J3GO
- J303GP J3GP
- J303GQ J3GQ
- J303GR J3GR
- J303GS J3GS
- J303GT J3GT
- J303GU J3GU
- J303GV J3GV
- J303GW J3GW
- J303GX J3GX
- J303GY J3GY
- J303GZ J3GZ
- J303HA J3HA
- J303HB J3HB
- J303HC J3HC
- J303HD J3HD
- J303HE J3HE
- J303HF J3HF
- J303HG J3HG
- J303HI J3HI
- J303HJ J3HJ
- J303HK J3HK
- J303HL J3HL
- J303HM J3HM
- J303HN J3HN
- J303HO J3HO
- J303HP J3HP
- J303HQ J3HQ
- J303HR J3HR
- J303HS J3HS
- J303HT J3HT
- J303HU J3HU
- J303HV J3HV
- J303HW J3HW
- J303HX J3HX
- J303HY J3HY
- J303HZ J3HZ
- J303IA J3IA
- J303IB J3IB
- J303IC J3IC
- J303ID J3ID
- J303IE J3IE
- J303IF J3IF
- J303IG J3IG
- J303IH J3IH
- J303IJ J3IJ
- J303IK J3IK
- J303IL J3IL
- J303IM J3IM
- J303IN J3IN
- J303IO J3IO
- J303IP J3IP
- J303IQ J3IQ
- J303IR J3IR
- J303IS J3IS
- J303IT J3IT
- J303IU J3IU
- J303IV J3IV
- J303IW J3IW
- J303IX J3IX
- J303IY J3IY
- J303IZ J3IZ
- J303JA J3JA
- J303JB J3JB
- J303JC J3JC
- J303JD J3JD
- J303JE J3JE
- J303JF J3JF
- J303JG J3JG
- J303JH J3JH
- J303JI J3JI
- J303JJ J3JJ
- J303JK J3JK
- J303JL J3JL
- J303JM J3JM
- J303JN J3JN
- J303JO J3JO
- J303JP J3JP
- J303JQ J3JQ
- J303JR J3JR
- J303JS J3JS
- J303JT J3JT
- J303JU J3JU
- J303JV J3JV
- J303JW J3JW
- J303JX J3JX
- J303JY J3JY
- J303JZ J3JZ
- J303KA J3KA
- J303KB J3KB
- J303KC J3KC
- J303KD J3KD
- J303KE J3KE
- J303KF J3KF
- J303KG J3KG
- J303KH J3KH
- J303KI J3KI
- J303KJ J3KJ
- J303KK J3KK
- J303KL J3KL
- J303KM J3KM
- J303KN J3KN
- J303KO J3KO
- J303KP J3KP
- J303KQ J3KQ
- J303KR J3KR
- J303KS J3KS
- J303KT J3KT
- J303KU J3KU
- J303KV J3KV
- J303KW J3KW
- J303KX J3KX
- J303KY J3KY
- J303KZ J3KZ
- J303LA J3LA
- J303LB J3LB
- J303LC J3LC
- J303LD J3LD
- J303LE J3LE
- J303LF J3LF
- J303LG J3LG
- J303LH J3LH
- J303LI J3LI
- J303LJ J3LJ
- J303LK J3LK
- J303LL J3LL
- J303LM J3LM
- J303LN J3LN
- J303LO J3LO
- J303LP J3LP
- J303LQ J3LQ
- J303LR J3LR
- J303LS J3LS
- J303LT J3LT
- J303LU J3LU
- J303LV J3LV
- J303LW J3LW
- J303LX J3LX
- J303LY J3LY
- J303LZ J3LZ
- J303MA J3MA
- J303MB J3MB
- J303MC J3MC
- J303MD J3MD
- J303ME J3ME
- J303MF J3MF
- J303MG J3MG
- J303MH J3MH
- J303MI J3MI
- J303MJ J3MJ
- J303MK J3MK
- J303ML J3ML
- J303MN J3MN
- J303MO J3MO
- J303MP J3MP
- J303MQ J3MQ
- J303MR J3MR
- J303MS J3MS
- J303MT J3MT
- J303MU J3MU
- J303MV J3MV
- J303MW J3MW
- J303MX J3MX
- J303MY J3MY
- J303MZ J3MZ
- J303NA J3NA
- J303NB J3NB
- J303NC J3NC
- J303ND J3ND
- J303NE J3NE
- J303NF J3NF
- J303NG J3NG
- J303NH J3NH
- J303NI J3NI
- J303NJ J3NJ
- J303NK J3NK
- J303NL J3NL
- J303NM J3NM
- J303NO J3NO
- J303NP J3NP
- J303NQ J3NQ
- J303NR J3NR
- J303NS J3NS
- J303NT J3NT
- J303NU J3NU
- J303NV J3NV
- J303NW J3NW
- J303NX J3NX
- J303NY J3NY
- J303NZ J3NZ
- J303OA J3OA
- J303OB J3OB
- J303OC J3OC
- J303OD J3OD
- J303OE J3OE
- J303OF J3OF
- J303OG J3OG
- J303OH J3OH
- J303OI J3OI
- J303OJ J3OJ
- J303OK J3OK
- J303OL J3OL
- J303OM J3OM
- J303ON J3ON
- J303OO J3OO
- J303OP J3OP
- J303OQ J3OQ
- J303OR J3OR
- J303OS J3OS
- J303OT J3OT
- J303OU J3OU
- J303OV J3OV
- J303OW J3OW
- J303OX J3OX
- J303OY J3OY
- J303OZ J3OZ
- J303PA J3PA
- J303PB J3PB
- J303PC J3PC
- J303PD J3PD
- J303PE J3PE
- J303PF J3PF
- J303PG J3PG
- J303PH J3PH
- J303PI J3PI
- J303PJ J3PJ
- J303PK J3PK
- J303PL J3PL
- J303PM J3PM
- J303PN J3PN
- J303PO J3PO
- J303PP J3PP
- J303PQ J3PQ
- J303PR J3PR
- J303PS J3PS
- J303PT J3PT
- J303PU J3PU
- J303PV J3PV
- J303PW J3PW
- J303PX J3PX
- J303PY J3PY
- J303PZ J3PZ
- J303QA J3QA
- J303QB J3QB
- J303QC J3QC
- J303QD J3QD
- J303QE J3QE
- J303QF J3QF
- J303QG J3QG
- J303QH J3QH
- J303QI J3QI
- J303QJ J3QJ
- J303QK J3QK
- J303QL J3QL
- J303QM J3QM
- J303QN J3QN
- J303QO J3QO
- J303QP J3QP
- J303QQ J3QQ
- J303QR J3QR
- J303QS J3QS
- J303QT J3QT
- J303QU J3QU
- J303QV J3QV
- J303QW J3QW
- J303QX J3QX
- J303QY J3QY
- J303QZ J3QZ
- J303RA J3RA
- J303RB J3RB
- J303RC J3RC
- J303RD J3RD
- J303RE J3RE
- J303RF J3RF
- J303RG J3RG
- J303RH J3RH
- J303RI J3RI
- J303RJ J3RJ
- J303RK J3RK
- J303RL J3RL
- J303RM J3RM
- J303RN J3RN
- J303RO J3RO
- J303RP J3RP
- J303RQ J3RQ
- J303RR J3RR
- J303RS J3RS
- J303RT J3RT
- J303RU J3RU
- J303RV J3RV
- J303RW J3RW
- J303RX J3RX
- J303RY J3RY
- J303RZ J3RZ
- J303SA J3SA
- J303SB J3SB
- J303SC J3SC
- J303SD J3SD
- J303SE J3SE
- J303SF J3SF
- J303SG J3SG
- J303SH J3SH
- J303SI J3SI
- J303SJ J3SJ
- J303SK J3SK
- J303SL J3SL
- J303SM J3SM
- J303SN J3SN
- J303SO J3SO
- J303SP J3SP
- J303SQ J3SQ
- J303SR J3SR
- J303SS J3SS
- J303ST J3ST
- J303SU J3SU
- J303SV J3SV
- J303SW J3SW
- J303SX J3SX
- J303SY J3SY
- J303SZ J3SZ
- J303TA J3TA
- J303TB J3TB
- J303TC J3TC
- J303TD J3TD
- J303TE J3TE
- J303TF J3TF
- J303TG J3TG
- J303TH J3TH
- J303TI J3TI
- J303TJ J3TJ
- J303TK J3TK
- J303TL J3TL
- J303TM J3TM
- J303TN J3TN
- J303TO J3TO
- J303TP J3TP
- J303TQ J3TQ
- J303TR J3TR
- J303TS J3TS
- J303TT J3TT
- J303TU J3TU
- J303TV J3TV
- J303TW J3TW
- J303TX J3TX
- J303TY J3TY
- J303TZ J3TZ
- J303UA J3UA
- J303UB J3UB
- J303UC J3UC
- J303UD J3UD
- J303UE J3UE
- J303UF J3UF
- J303UG J3UG
- J303UH J3UH
- J303UI J3UI
- J303UJ J3UJ
- J303UK J3UK
- J303UL J3UL
- J303UM J3UM
- J303UN J3UN
- J303UO J3UO
- J303UP J3UP
- J303UQ J3UQ
- J303UR J3UR
- J303US J3US
- J303UT J3UT
- J303UU J3UU
- J303UV J3UV
- J303UW J3UW
- J303UX J3UX
- J303UY J3UY
- J303UZ J3UZ
- J303VA J3VA
- J303VB J3VB
- J303VC J3VC
- J303VD J3VD
- J303VE J3VE
- J303VF J3VF
- J303VG J3VG
- J303VH J3VH
- J303VI J3VI
- J303VJ J3VJ
- J303VK J3VK
- J303VL J3VL
- J303VM J3VM
- J303VN J3VN
- J303VO J3VO
- J303VP J3VP
- J303VQ J3VQ
- J303VR J3VR
- J303VS J3VS
- J303VT J3VT
- J303VU J3VU
- J303VV J3VV
- J303VW J3VW
- J303VX J3VX
- J303VY J3VY
- J303VZ J3VZ
- J303WA J3WA
- J303WB J3WB
- J303WC J3WC
- J303WD J3WD
- J303WE J3WE
- J303WF J3WF
- J303WG J3WG
- J303WH J3WH
- J303WI J3WI
- J303WJ J3WJ
- J303WK J3WK
- J303WL J3WL
- J303WM J3WM
- J303WN J3WN
- J303WO J3WO
- J303WP J3WP
- J303WQ J3WQ
- J303WR J3WR
- J303WS J3WS
- J303WT J3WT
- J303WU J3WU
- J303WV J3WV
- J303WW J3WW
- J303WX J3WX
- J303WY J3WY
- J303WZ J3WZ
- J303XA J3XA
- J303XB J3XB
- J303XC J3XC
- J303XD J3XD
- J303XE J3XE
- J303XF J3XF
- J303XG J3XG
- J303XH J3XH
- J303XI J3XI
- J303XJ J3XJ
- J303XK J3XK
- J303XL J3XL
- J303XM J3XM
- J303XN J3XN
- J303XO J3XO
- J303XP J3XP
- J303XQ J3XQ
- J303XR J3XR
- J303XS J3XS
- J303XT J3XT
- J303XU J3XU
- J303XV J3XV
- J303XW J3XW
- J303XX J3XX
- J303XY J3XY
- J303XZ J3XZ
- J303YA J3YA
- J303YB J3YB
- J303YC J3YC
- J303YD J3YD
- J303YE J3YE
- J303YF J3YF
- J303YG J3YG
- J303YH J3YH
- J303YI J3YI
- J303YJ J3YJ
- J303YK J3YK
- J303YL J3YL
- J303YM J3YM
- J303YN J3YN
- J303YO J3YO
- J303YP J3YP
- J303YQ J3YQ
- J303YR J3YR
- J303YS J3YS
- J303YT J3YT
- J303YU J3YU
- J303YV J3YV
- J303YW J3YW
- J303YX J3YX
- J303YY J3YY
- J303YZ J3YZ
- J303ZA J3ZA
- J303ZB J3ZB
- J303ZC J3ZC
- J303ZD J3ZD
- J303ZE J3ZE
- J303ZF J3ZF
- J303ZG J3ZG
- J303ZH J3ZH
- J303ZI J3ZI
- J303ZJ J3ZJ
- J303ZK J3ZK
- J303ZL J3ZL
- J303ZM J3ZM
- J303ZN J3ZN
- J303ZO J3ZO
- J303ZP J3ZP
- J303ZQ J3ZQ
- J303ZR J3ZR
- J303ZS J3ZS
- J303ZT J3ZT
- J303ZU J3ZU
- J303ZV J3ZV
- J303ZW J3ZW
- J303ZX J3ZX
- J303ZY J3ZY
- J303ZZ J3ZZ



RAVE

10802 47th Avenue West
 10802 47th Avenue West
 Mukwonago, WI 53075-5088

ACTION: **103273**

DRAWN BY: RJK/MB
 CHECKED BY: RJK/MB

DATE: 19-04-2024

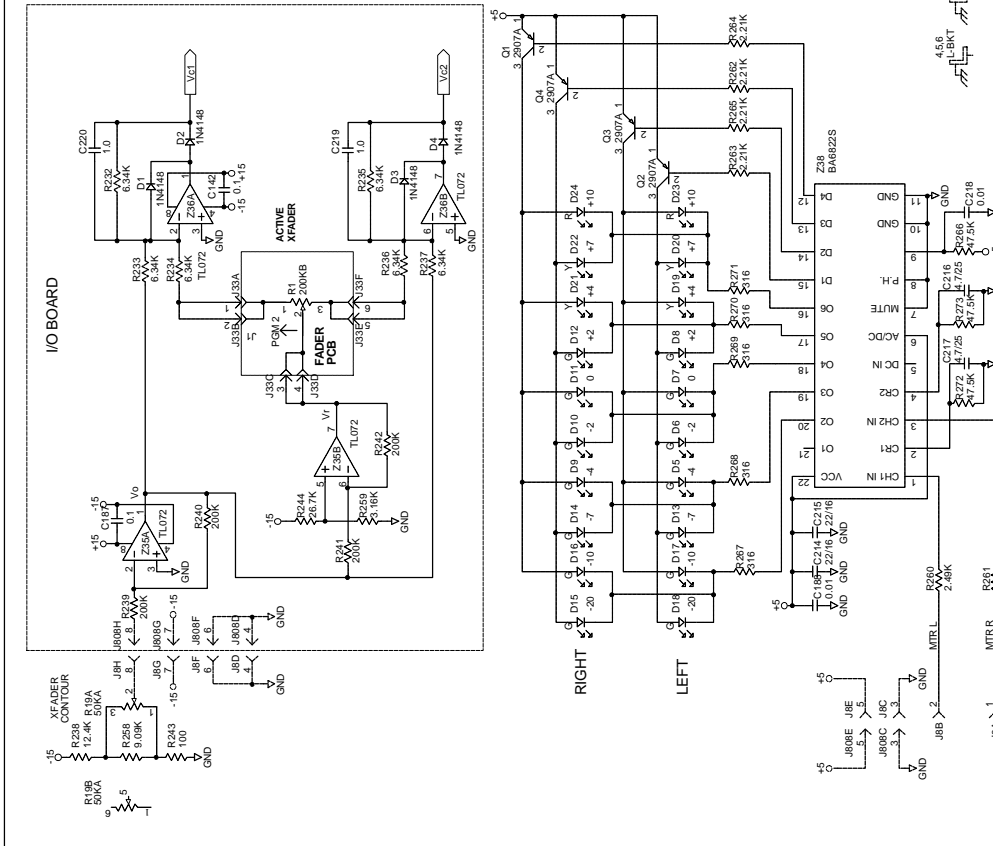
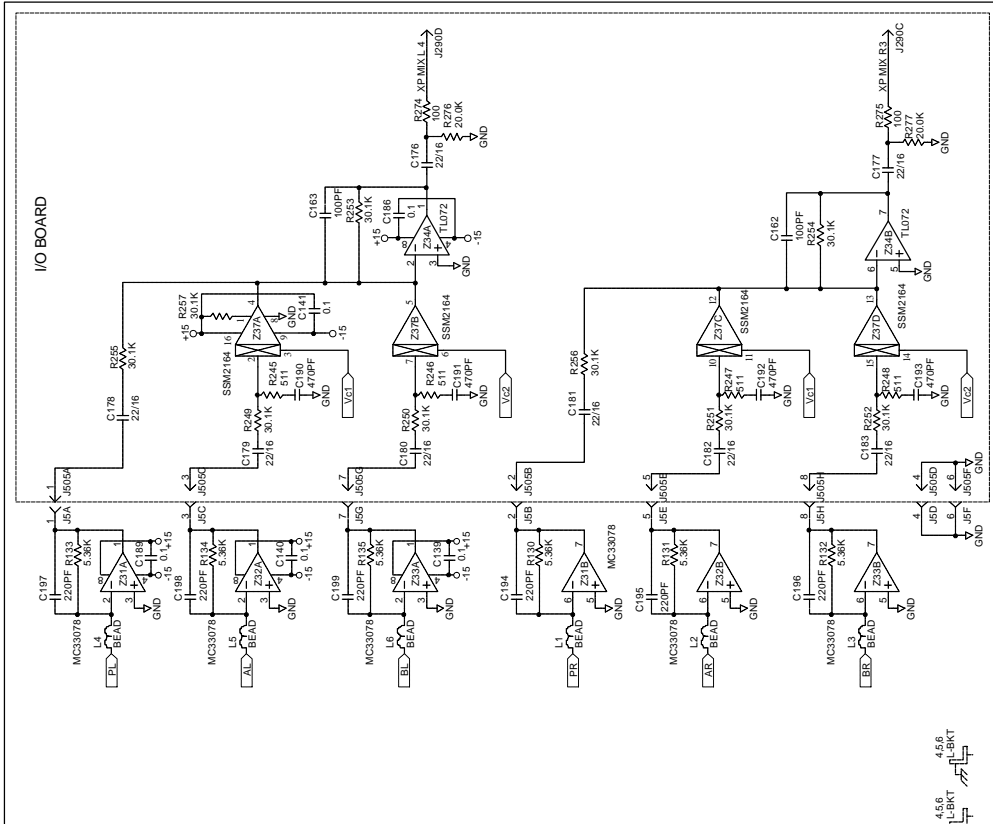
H:\XP2016\103273.SCH

TONE 5&6 XP 2016

SHEET: 3 of 5

103273

A



AVION

RANE

MIX/FADER/METER XP 2016

10802 47th Avenue West SHEET: 4 of 5 103273

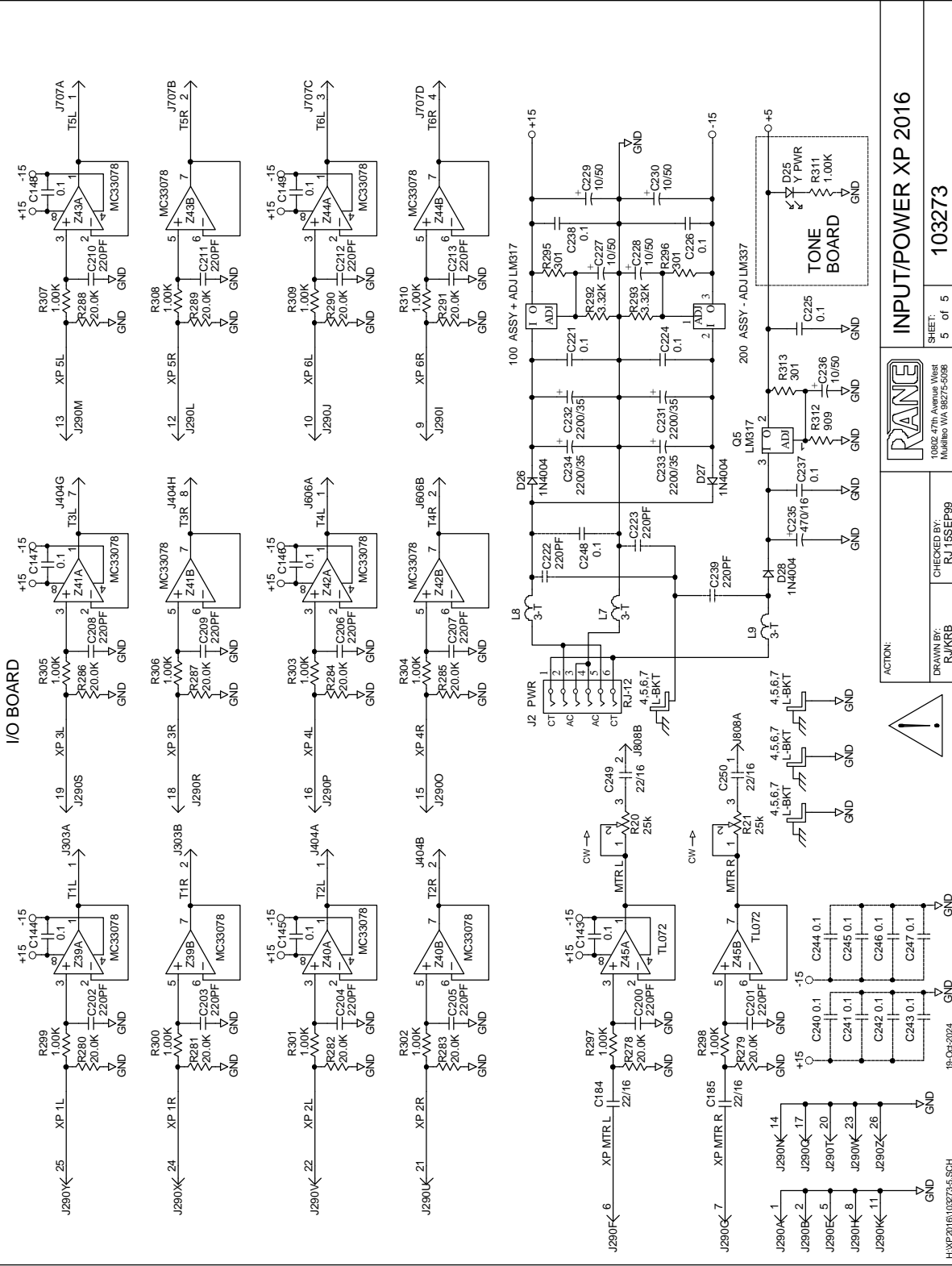
10802 47th Avenue West
 BURNABY, BC V5A 2G6
 NUMBER: WA 90275-5081

DRAWN BY: RJM/RB

CHECKED BY: RJ/LS/EP/99

DATE: 19-04-2024

H:\XP2016\103273-4-5CH



INPUT/POWER XP 2016

SHEET: 5 of 5 103273



ACTION:

DRAWN BY: RJKRB CHECKED BY: RJ 15SEP99

