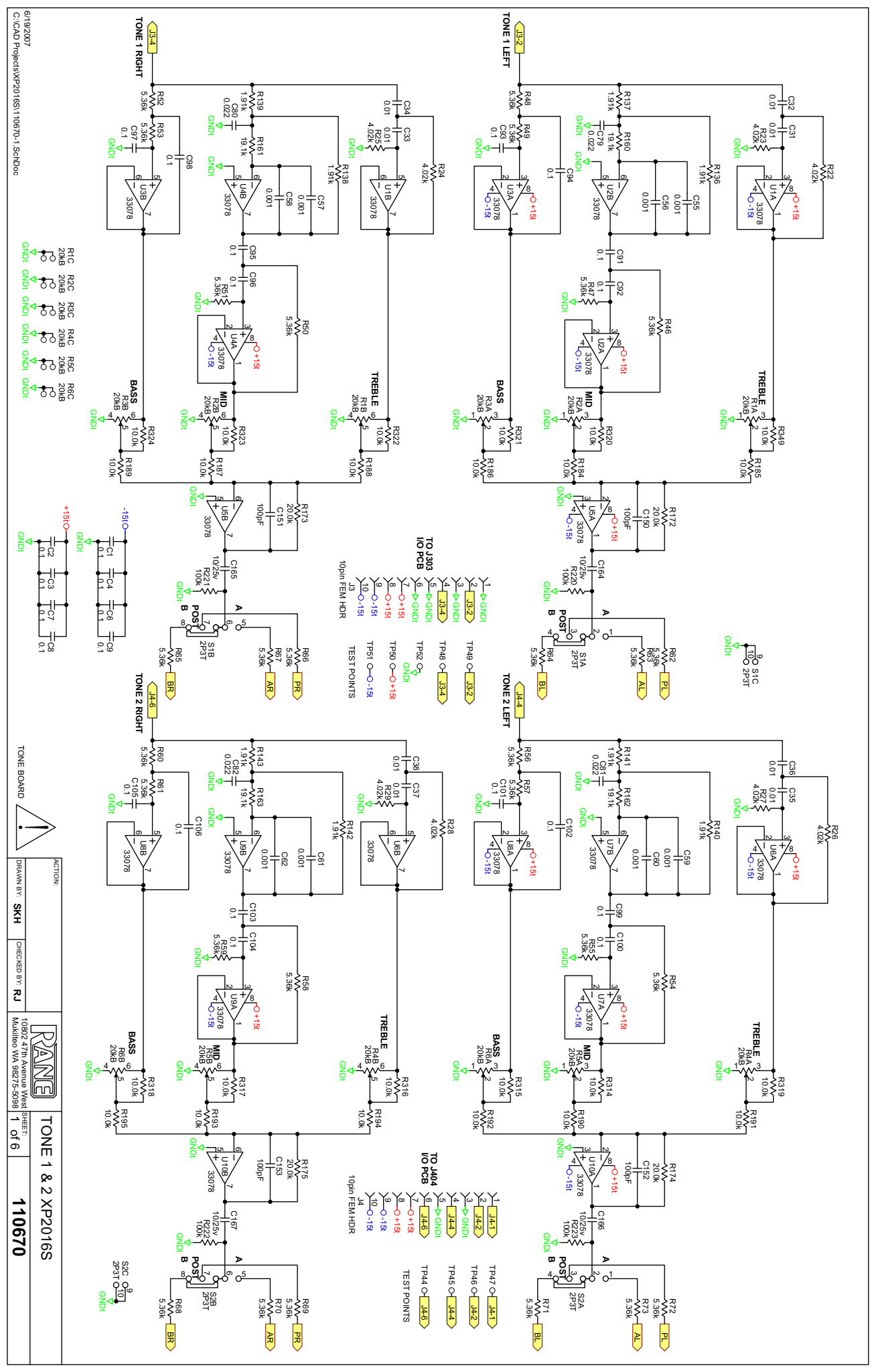
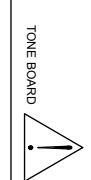


110671 FILM 1 OF 6 TOP SILKSCREEN I.D. 10/TONE XP2016S



- RIC R21C R3C R4C R5C R6C  
 20k 20k 20k 20k 20k 20k  
 GNDI GNDI GNDI GNDI GNDI GNDI

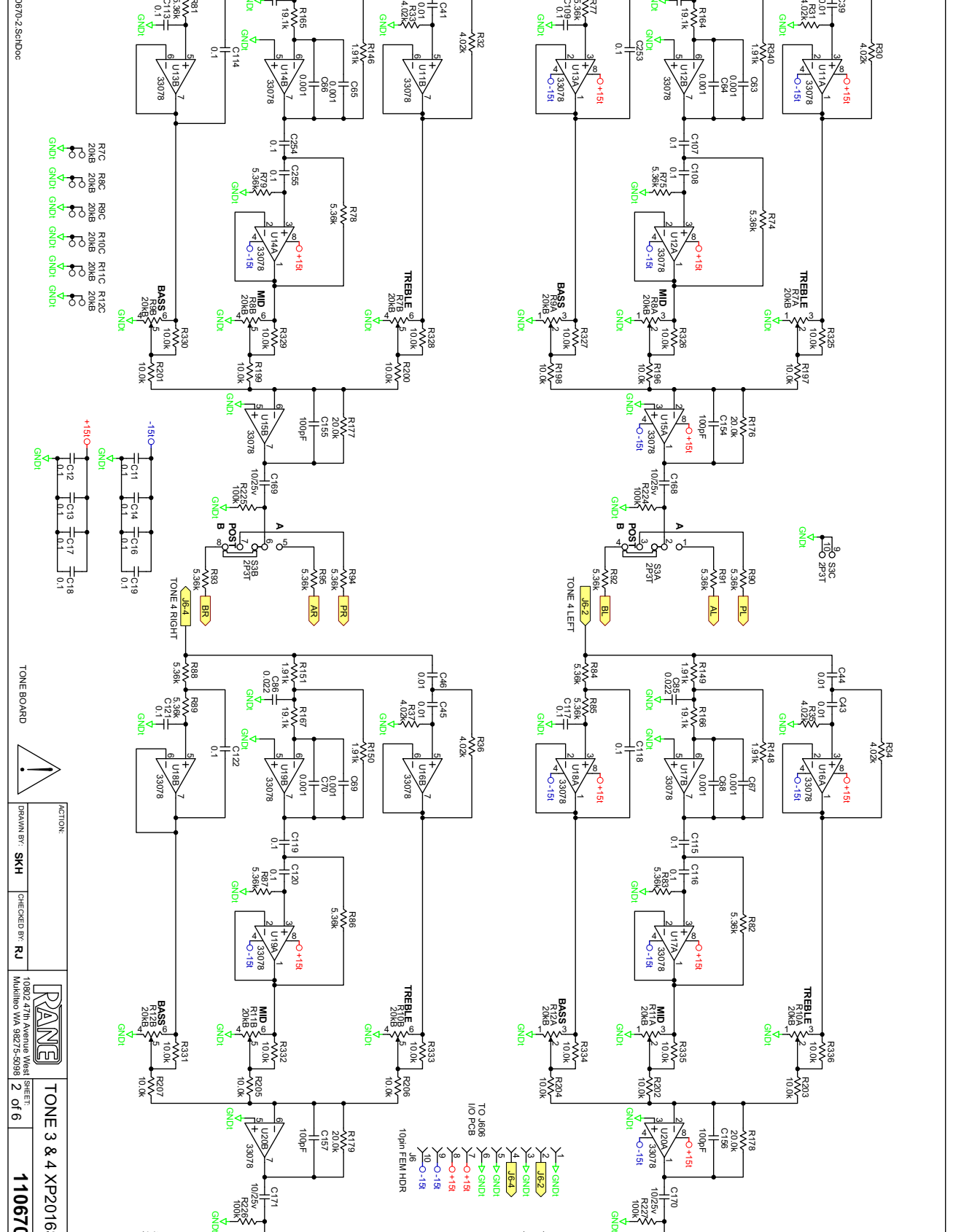
- +15V GNDI  
 -15V GNDI  
 C1 0.1 C2 0.1 C3 0.1 C4 0.1 C5 0.1 C6 0.1 C7 0.1 C8 0.1 C9 0.1



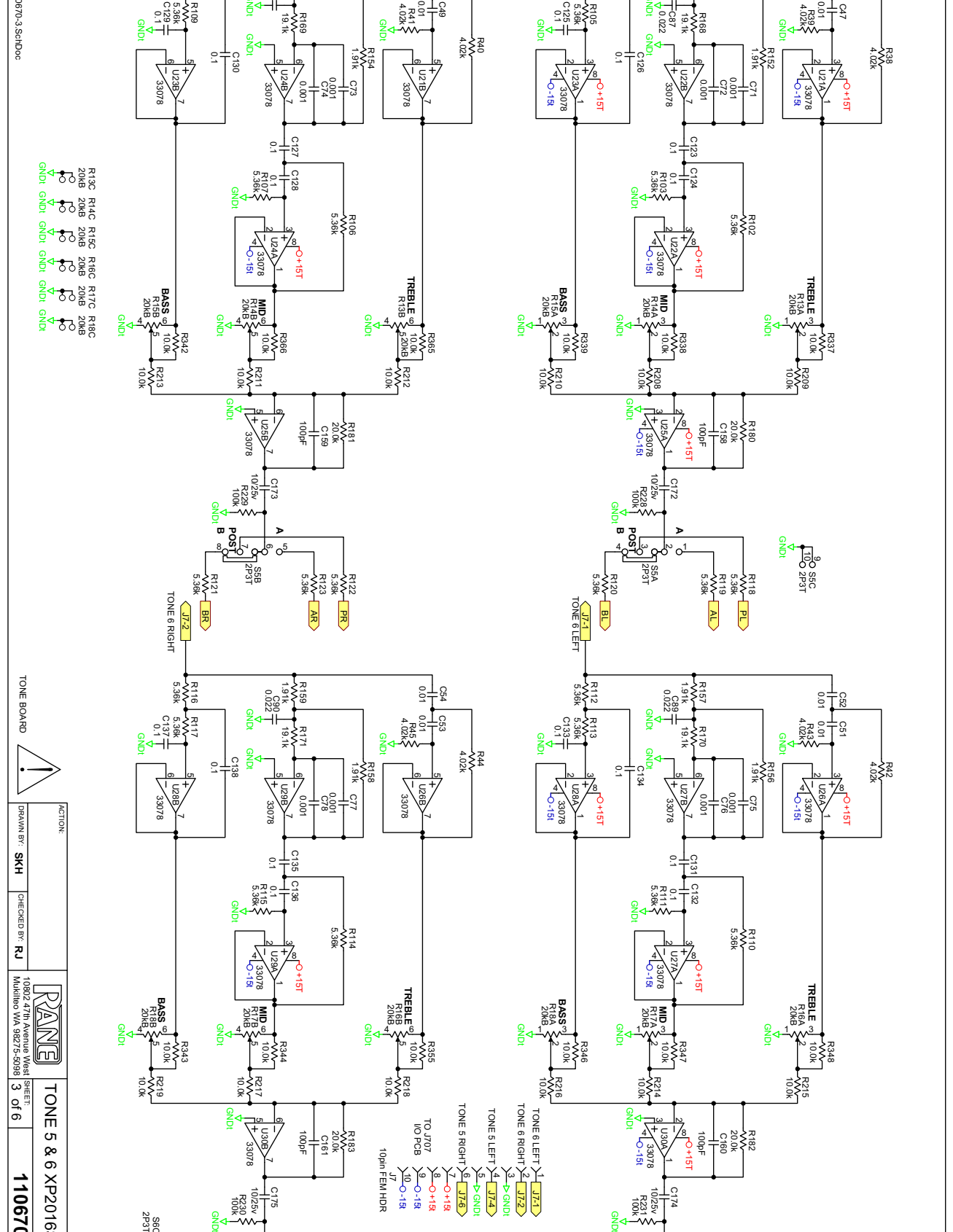
ACTION:  
 DRAWN BY: SKH  
 CHECKED BY: RJ

10902 47th Avenue West SHEET  
 MultiBio WA 98275-5098 1 of 6

**TONE 1 & 2 XP2016S**  
**110670**



- TEST POINTS
- 1->GND1
  - 2->J6-2
  - 3->GND1
  - 4->J6-4
  - 5->GND1
  - 6->GND1
  - 7->O+15V
  - 8->O+15V
  - 9->O-15V
  - 10->O-15V
- TO J606  
 10pin FEM HDR
- TP98 O J6-2  
 TP99 O J6-4
- S4C O  
 ZP9T O  
 GND1



6/19/2007  
 C:\CAD Projects\XP2016S\110670-3\_SchDoc

R13C R14C R15C R16C R17C R18C  
 20k 20k 20k 20k 20k 20k  
 TONE 5 RIGHT TONE 6 RIGHT  
 GND1 GND1 GND1 GND1 GND1 GND1

TONE BOARD

ACTION:

DESIGN BY: SKH

CHECKED BY: RJ

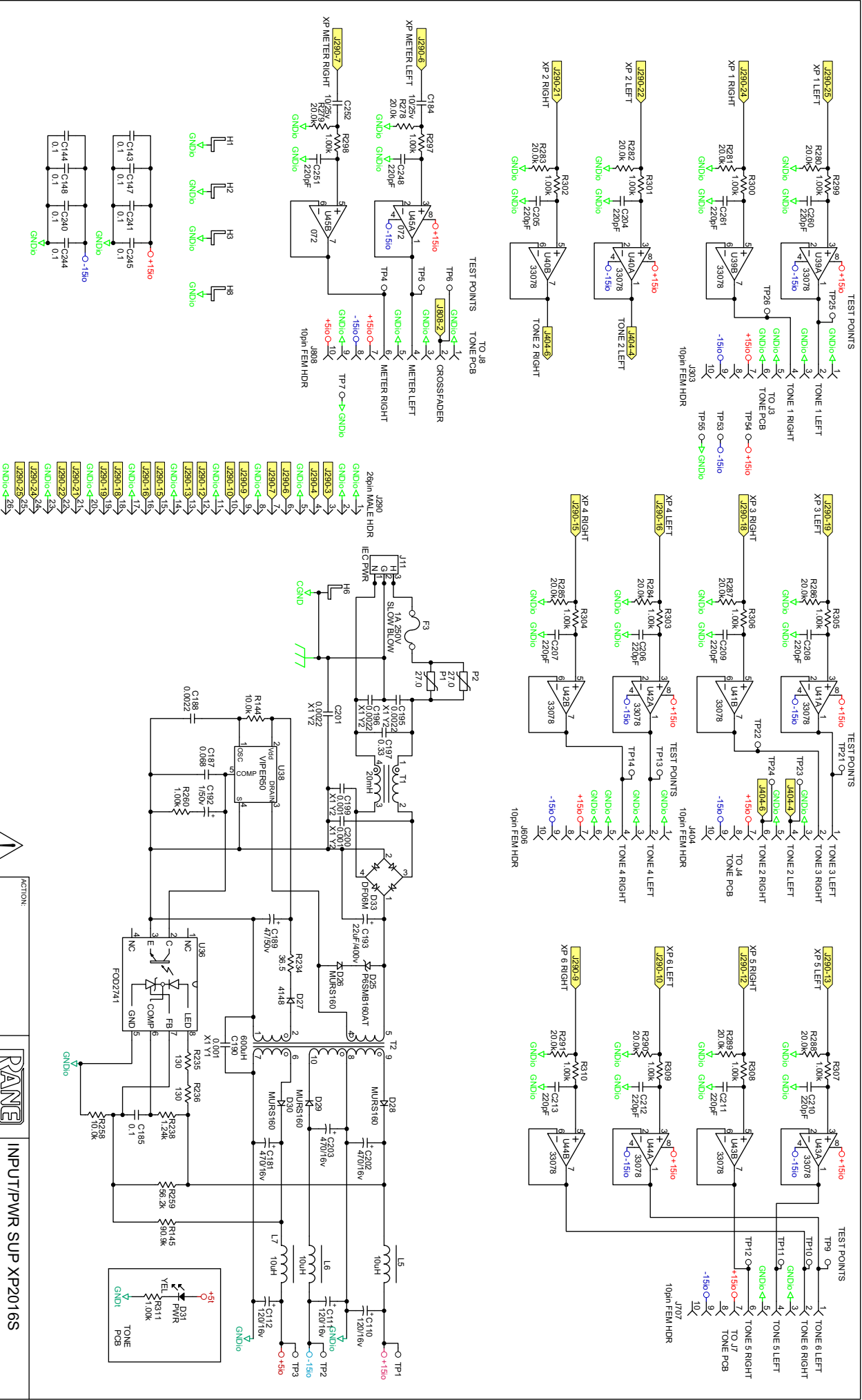
10902 47th Avenue West  
 Mukilteo WA 98275-5098

SHEET 3 of 6

110670

TONE 5 & 6 XP2016S

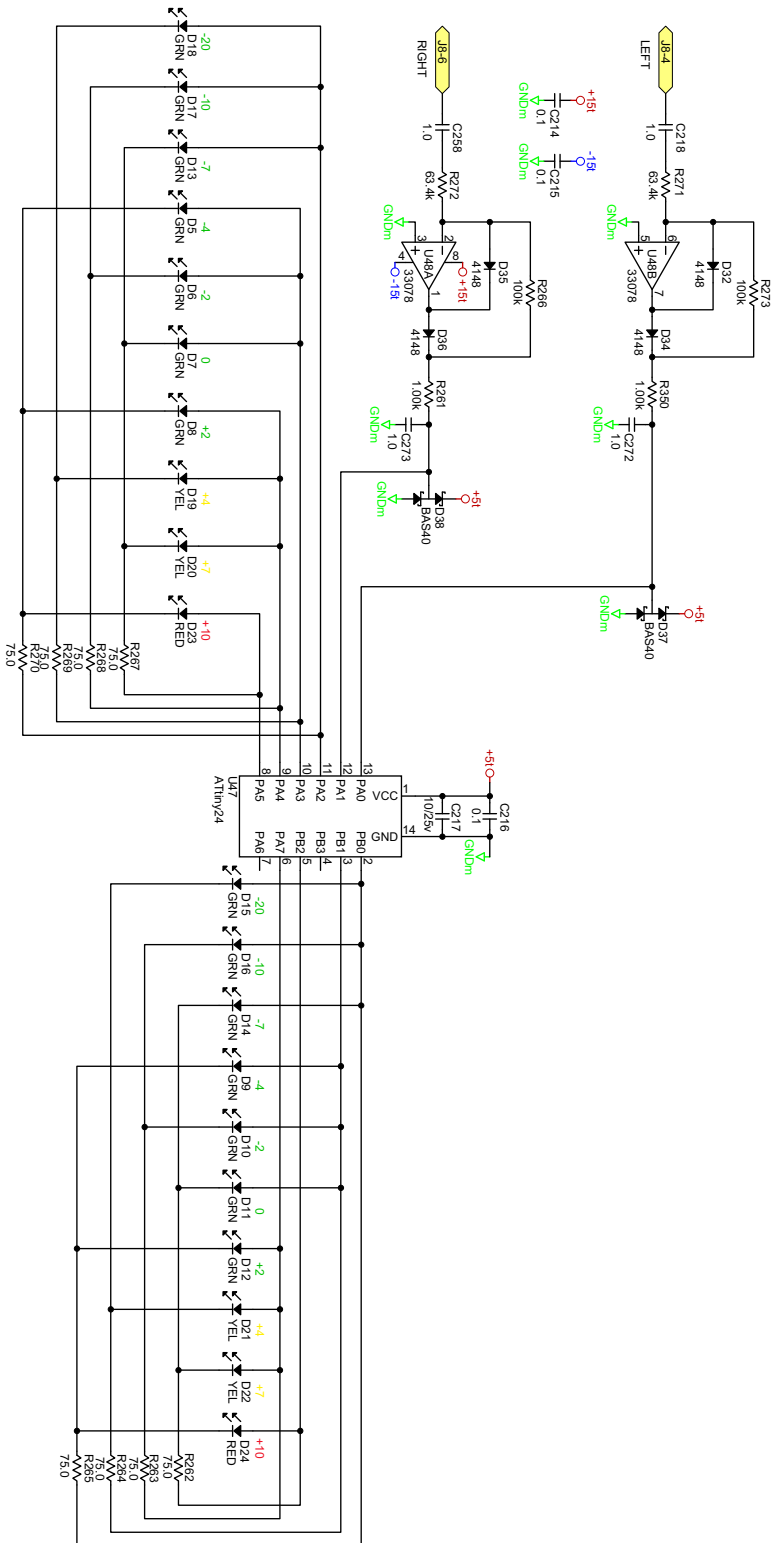




I/O BOARD



ACTION:	10022 47th Avenue West Murrieta WA 92755-5098	SHEET	5 OF 6
DRAWN BY:	SKH	CHECKED BY:	RJ
<b>RANE</b>		<b>INPUT/PWR SUP XP2016S</b>	
110670			



LED	READING	D3	D2	D1	D0
1	-20	X	X	0	1
2	-10	X	X	0	1
3	-7	X	X	0	1
4	-4	X	X	0	1
5	-2	X	X	0	1
6	0	X	X	1	1
7	2	X	X	1	1
8	4	X	X	1	1
9	7	X	X	1	1
10	10	X	X	1	1

PEAK RESPONDING METER  
 METER "OFF" = 20 dBFS  
 ATTACK RC = 1 ms  
 RELEASE RC = 100 ms  
 2 SECOND PEAK HOLD (DOIT)  
 BAR GRAPH OF RUNNING VALUE

TONE BOARD



ACTION:

DESIGN BY: **RU**

CHECKED BY: **RU**



METER XP2016S

10902 47th Avenue West  
 Mukilteo WA 98275-5098

SHEET 6 OF 6

110670