

BOTTOM PCB

ACTION:

DRAWN BY: SKH CHECKED BY: RJ

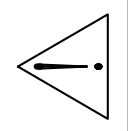
SHEET: 1 of 8

10802 47th Avenue West
Mukitfeo WA 98275-5098

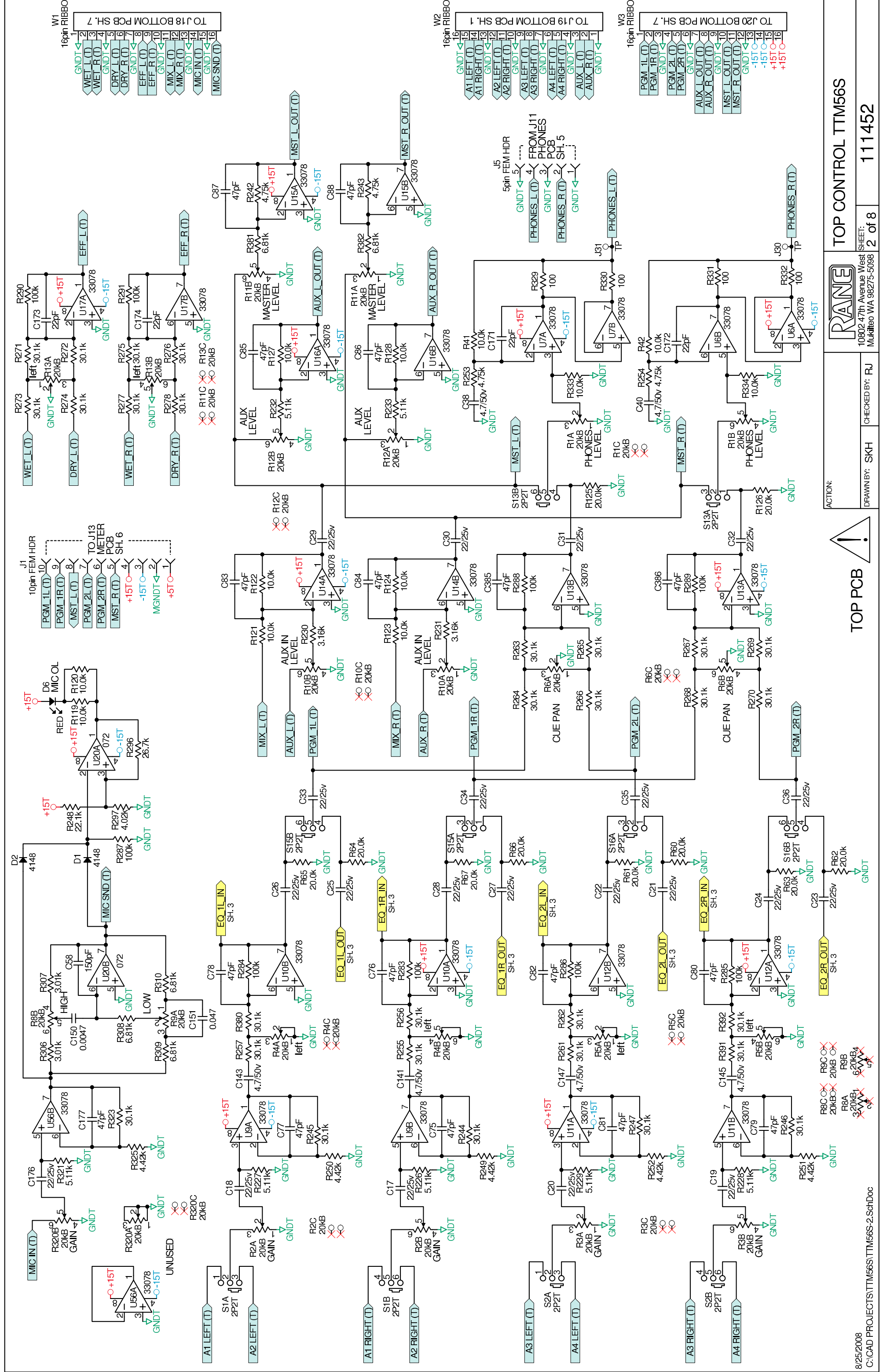
RANE

INPUT/OUTPUT TTM56S

111452



10/27/2008
C:\CAD PROJECTS\TTM56S\TTM56S-1_SchDoc



TO J18 BOTTOM PCB SH. 7

16pin RIBBON

WET_L (T) 1
WET_R (T) 2
DRY_L (T) 3
DRY_R (T) 4
EFF_L (T) 5
EFF_R (T) 6
MIX_L (T) 7
MIX_R (T) 8
MIC_IN (T) 9
MIC_SND (T) 10
GNDT 11
GNDT 12
GNDT 13
GNDT 14
GNDT 15
GNDT 16

TO J19 BOTTOM PCB SH. 1

16pin RIBBON

A1 LEFT (T) 1
A1 RIGHT (T) 2
A2 LEFT (T) 3
A2 RIGHT (T) 4
A3 LEFT (T) 5
A3 RIGHT (T) 6
A4 LEFT (T) 7
A4 RIGHT (T) 8
AUX_L (T) 9
AUX_R (T) 10
GNDT 11
GNDT 12
GNDT 13
GNDT 14
GNDT 15
GNDT 16

TO J20 BOTTOM PCB SH. 7

16pin RIBBON

PGM_1L (T) 1
PGM_1R (T) 2
GNDT 3
GNDT 4
PGM_2L (T) 5
PGM_2R (T) 6
GNDT 7
GNDT 8
AUX_L_OUT (T) 9
AUX_R_OUT (T) 10
MST_L_OUT (T) 11
MST_R_OUT (T) 12
GNDT 13
-15T 14
+15T 15
+15T 16

10pin FEM HDR

J1

PGM_1L (T) 1
PGM_1R (T) 2
MST_L (T) 3
PGM_2L (T) 4
PGM_2R (T) 5
MST_R (T) 6
+15T 7
-15T 8
GNDT 9
GNDT 10

TO J13 METER PCB SH. 6

RED 1
+15T 2
-15T 3
GNDT 4
GNDT 5
GNDT 6
GNDT 7
GNDT 8
GNDT 9
GNDT 10

5pin FEM HDR

J5

PHONES_L (T) 1
PHONES_R (T) 2
FROM J1 PCB SH. 5
GNDT 3
GNDT 4
GNDT 5

PHONES_L (T) 1
PHONES_R (T) 2
GNDT 3
GNDT 4
GNDT 5

16pin RIBBON

W1

WET_L (T) 1
WET_R (T) 2
DRY_L (T) 3
DRY_R (T) 4
EFF_L (T) 5
EFF_R (T) 6
MIX_L (T) 7
MIX_R (T) 8
MIC_IN (T) 9
MIC_SND (T) 10
GNDT 11
GNDT 12
GNDT 13
GNDT 14
GNDT 15
GNDT 16

16pin RIBBON

W2

A1 LEFT (T) 1
A1 RIGHT (T) 2
A2 LEFT (T) 3
A2 RIGHT (T) 4
A3 LEFT (T) 5
A3 RIGHT (T) 6
A4 LEFT (T) 7
A4 RIGHT (T) 8
AUX_L (T) 9
AUX_R (T) 10
GNDT 11
GNDT 12
GNDT 13
GNDT 14
GNDT 15
GNDT 16

16pin RIBBON

W3

PGM_1L (T) 1
PGM_1R (T) 2
GNDT 3
GNDT 4
PGM_2L (T) 5
PGM_2R (T) 6
GNDT 7
GNDT 8
AUX_L_OUT (T) 9
AUX_R_OUT (T) 10
MST_L_OUT (T) 11
MST_R_OUT (T) 12
GNDT 13
-15T 14
+15T 15
+15T 16

RANE

10802 47th Avenue West
Mukitewo WA 98275-5098

ACTION:

DRAWN BY: SKH

CHECKED BY: RJ

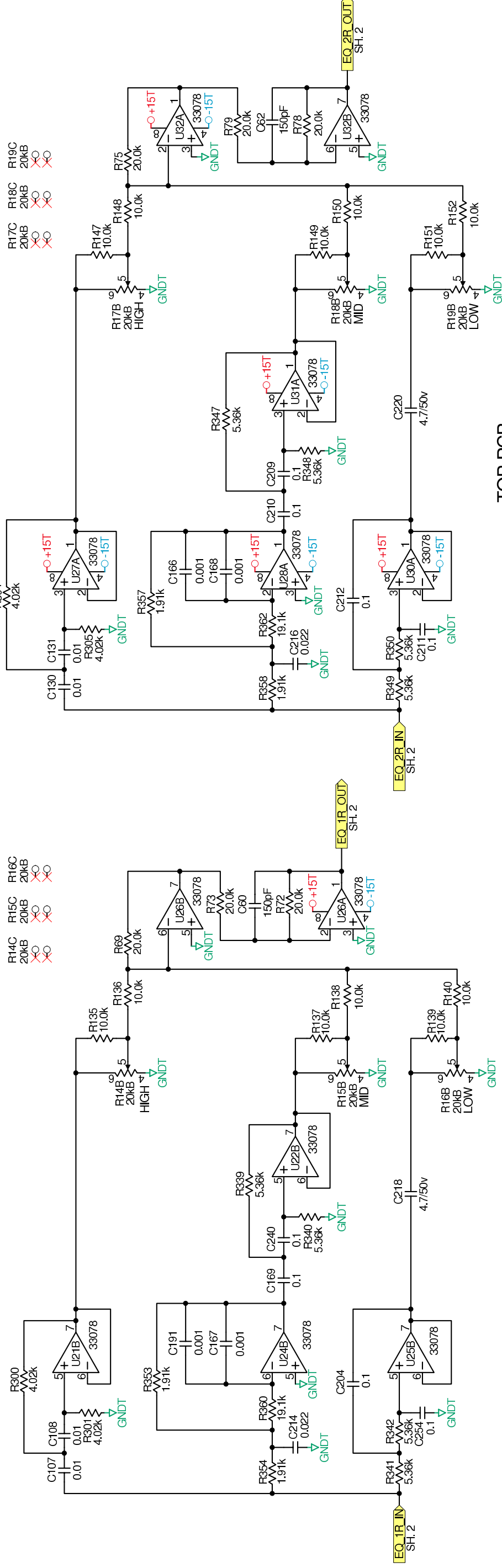
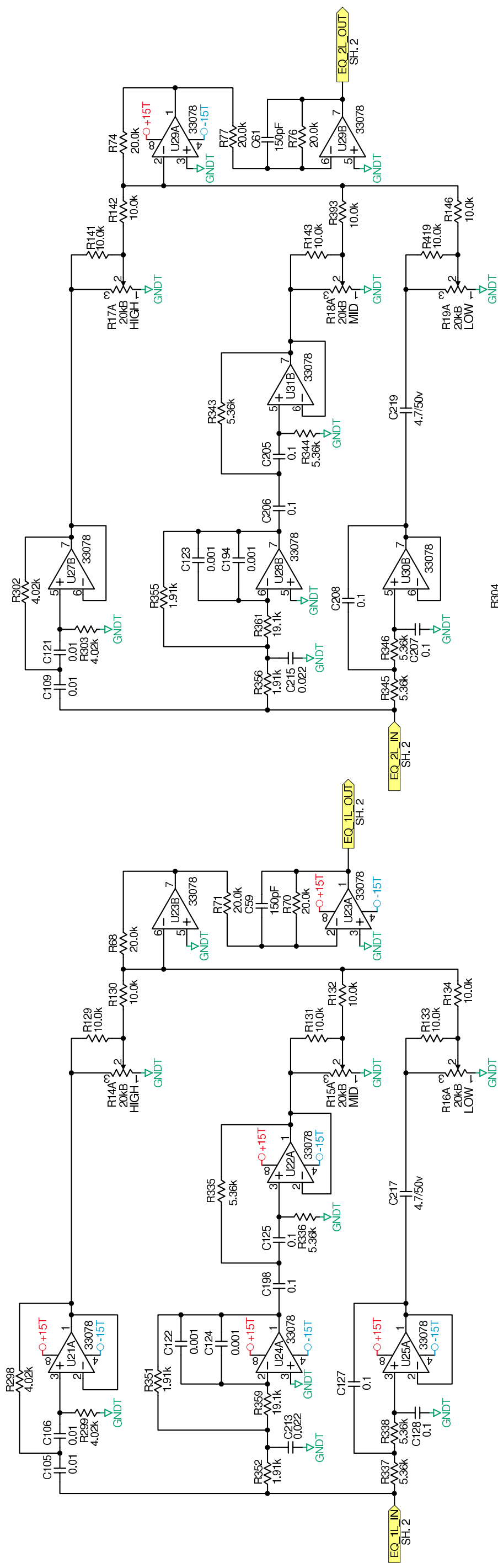
TOP CONTROL TTM56S

SHEET: 2 of 8

TOP PCB

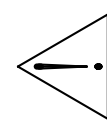
8/25/2008

C:\CAD PROJECTS\TTM56S\TTM56S-2.SchDoc



R17C 20k
R18C 20k
R19C 20k

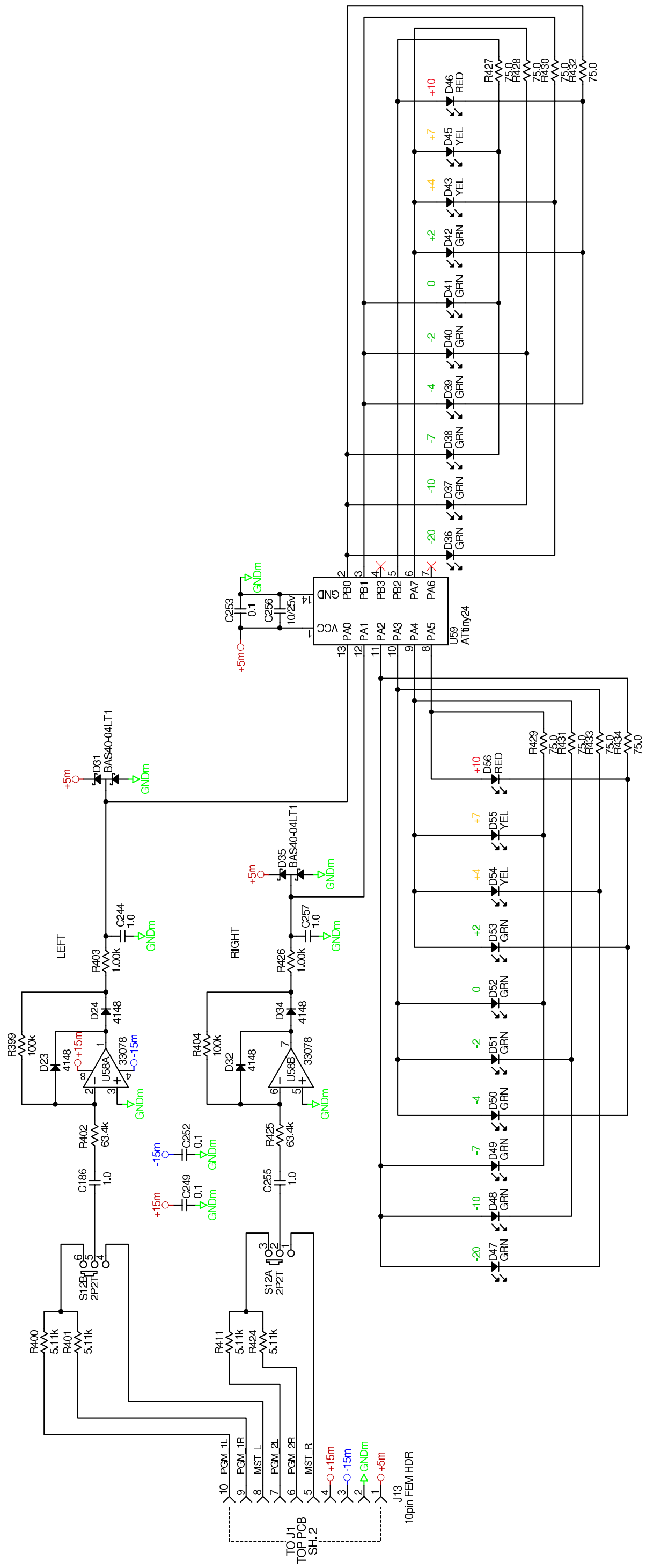
R14C 20k
R15C 20k
R16C 20k



TOP PCB

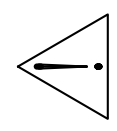


TONE TTM56S



LED	READING	D3	D2	D1	D0
1	-20	X	X	0	1
2	-10	X	0	X	1
3	-7	0	X	X	1
4	-4	X	X	1	0
5	-2	X	0	1	X
6	0	0	X	1	0
7	2	X	X	1	X
8	4	X	1	0	X
9	7	0	1	X	X
10	10	1	X	X	0

PEAK RESPONDING METER
 METER "0" = -20 dBFS
 ATTACK RC = 1 ms
 RELEASE RC = 100 ms
 2 SECOND PEAK HOLD (DOT)
 BAR GRAPH OF RUNNING VALUE



METER PCB

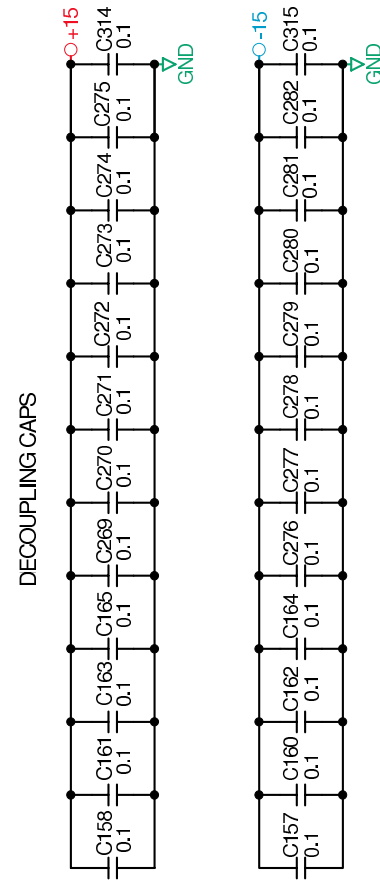
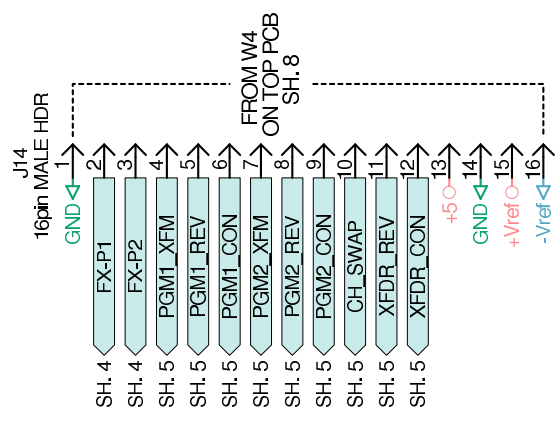
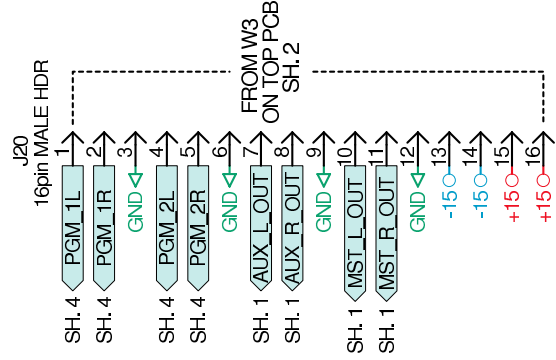
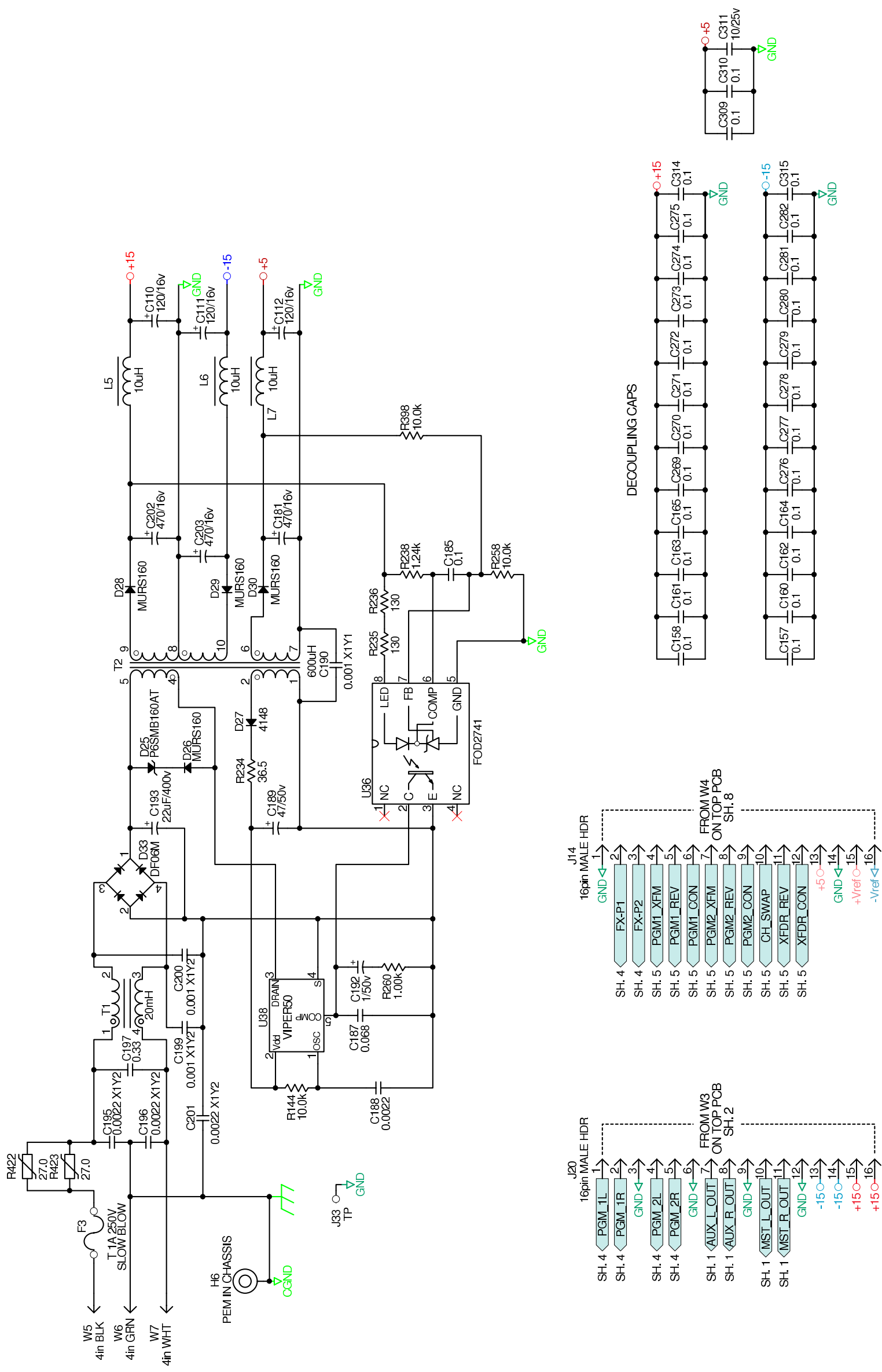
ACTION:
 DRAWN BY: SKH
 CHECKED BY: RJ



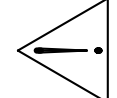
10802 47th Avenue West
 Mukilteo WA 98275-5098

METER/PGM CONTOUR TTM56S

SHEET: 6 of 8
 111452



BOTTOM REAR PCB



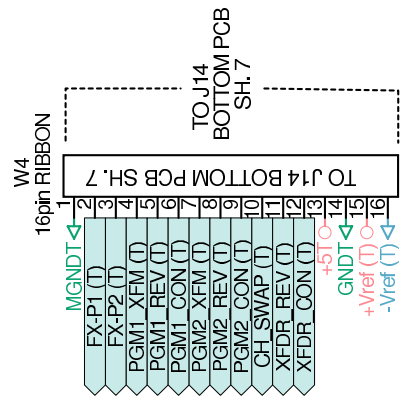
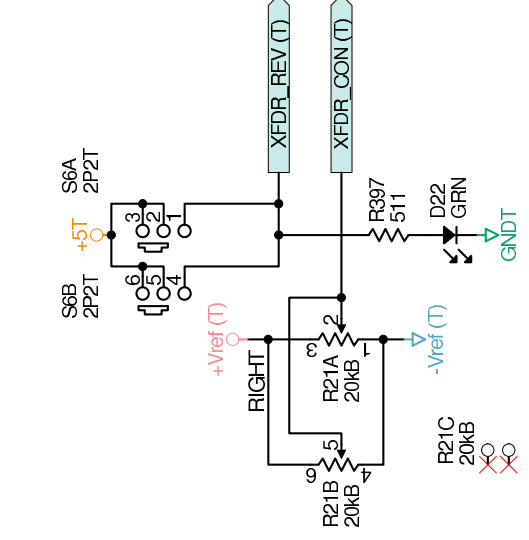
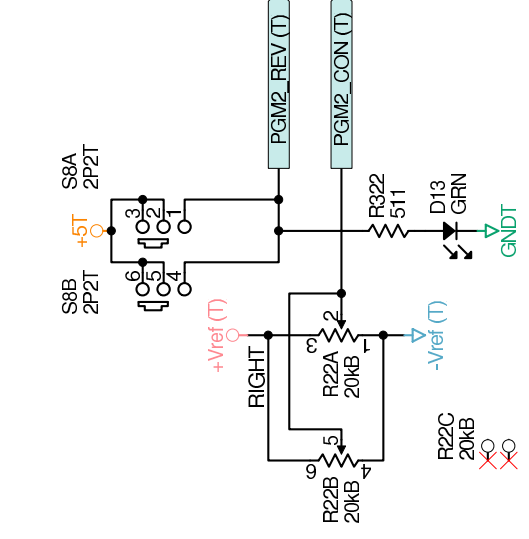
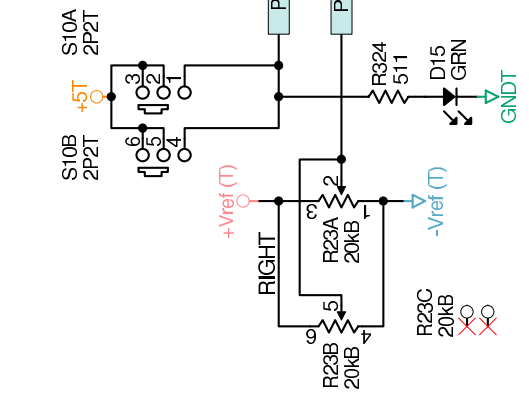
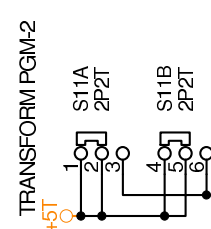
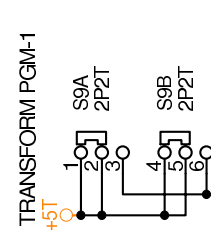
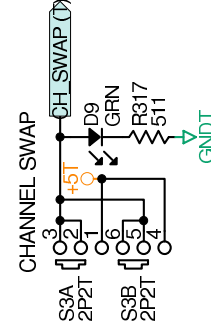
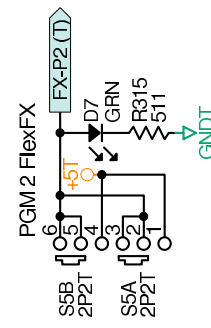
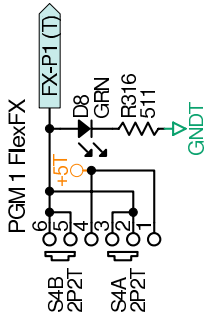
10802 47th Avenue West
Mukitfeo WA 98275-5098

ACTION:
DRAWN BY: SKH
CHECKED BY: RJ

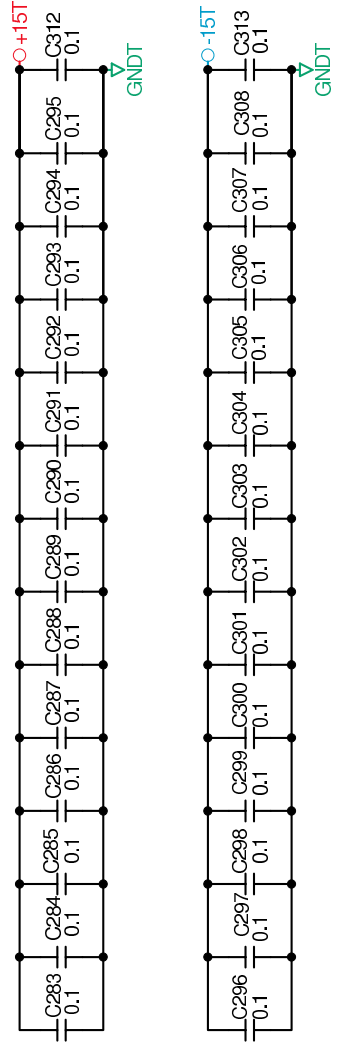
POWER SUPPLY TTM56S

SHEET: 7 of 8

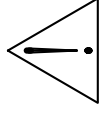
111452



DECOUPLING CAPS



TOP PCB



New Top Controls